



US00D600571S

(12) **United States Design Patent**
Singer

(10) **Patent No.:** **US D600,571 S**

(45) **Date of Patent:** **** Sep. 22, 2009**

(54) **WRISTBAND WITH INTEGRATED TIMEPIECE**

(76) Inventor: **Daniel Singer**, 3760 Coventry La., Boca Raton, FL (US) 33496

(**) Term: **14 Years**

(21) Appl. No.: **29/296,476**

(22) Filed: **Oct. 22, 2007**

(51) **LOC (9) Cl.** **10-02**

(52) **U.S. Cl.** **D10/32**

(58) **Field of Classification Search** D10/31,
D10/32, 38, 39; D14/344; D11/3, 4; 368/276,
368/281, 282, 223

See application file for complete search history.

(56) **References Cited**

U.S. PATENT DOCUMENTS

2,952,967	A *	9/1960	Nussle	368/281
4,130,987	A *	12/1978	Schickedanz	368/29
D262,527	S *	1/1982	Goldberg	D11/2
D317,274	S *	6/1991	Redina	D11/4
D362,809	S *	10/1995	Sigmund	D10/38
6,216,490	B1 *	4/2001	Radley-Smith	63/3
D471,471	S *	3/2003	Fu et al.	D10/32

6,621,766	B2 *	9/2003	Brewer et al.	368/82
D495,611	S *	9/2004	Jørgensen	D10/32
D507,191	S *	7/2005	Li	D10/31
D533,085	S *	12/2006	Mourgue	D10/32
7,152,989	B2 *	12/2006	Radley-Smith	362/104
D542,687	S *	5/2007	Brown	D11/4
D546,226	S *	7/2007	Brown	D11/4
D546,227	S *	7/2007	Brown	D11/4
7,441,415	B2 *	10/2008	Radley-Smith	63/3
2006/0042139	A1 *	3/2006	Mendes	40/633
2006/0179542	A1 *	8/2006	Pierce	2/170

* cited by examiner

Primary Examiner—Lucy Lieberman

(74) *Attorney, Agent, or Firm*—James R. Menker

(57) **CLAIM**

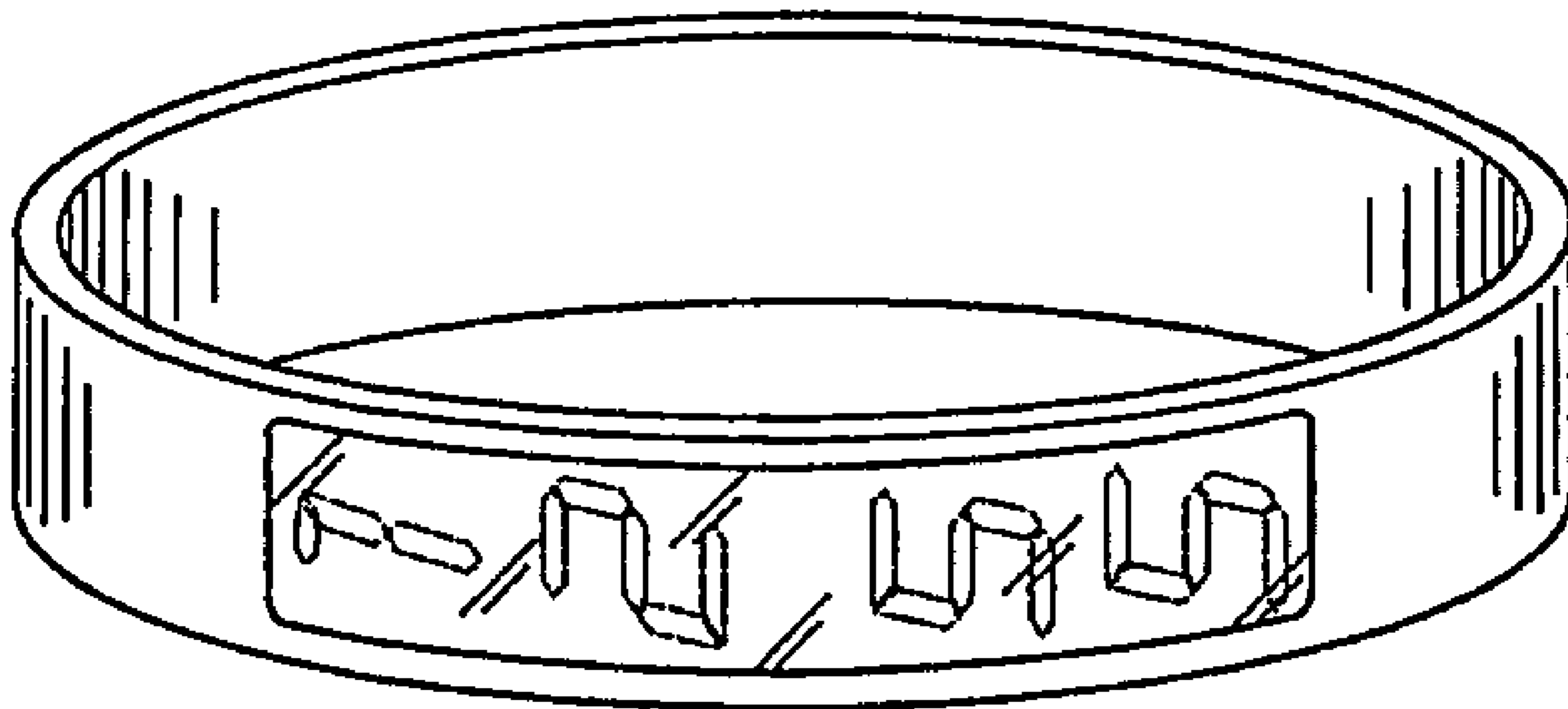
The ornamental design for a wristband with integrated timepiece, as shown and described.

DESCRIPTION

FIG. 1 is a front perspective view of a wristband with integrated timepiece showing my new design; and,

FIG. 2 is a front perspective view of the wristband with integrated timepiece with a different time shown on the timepiece display.

1 Claim, 1 Drawing Sheet



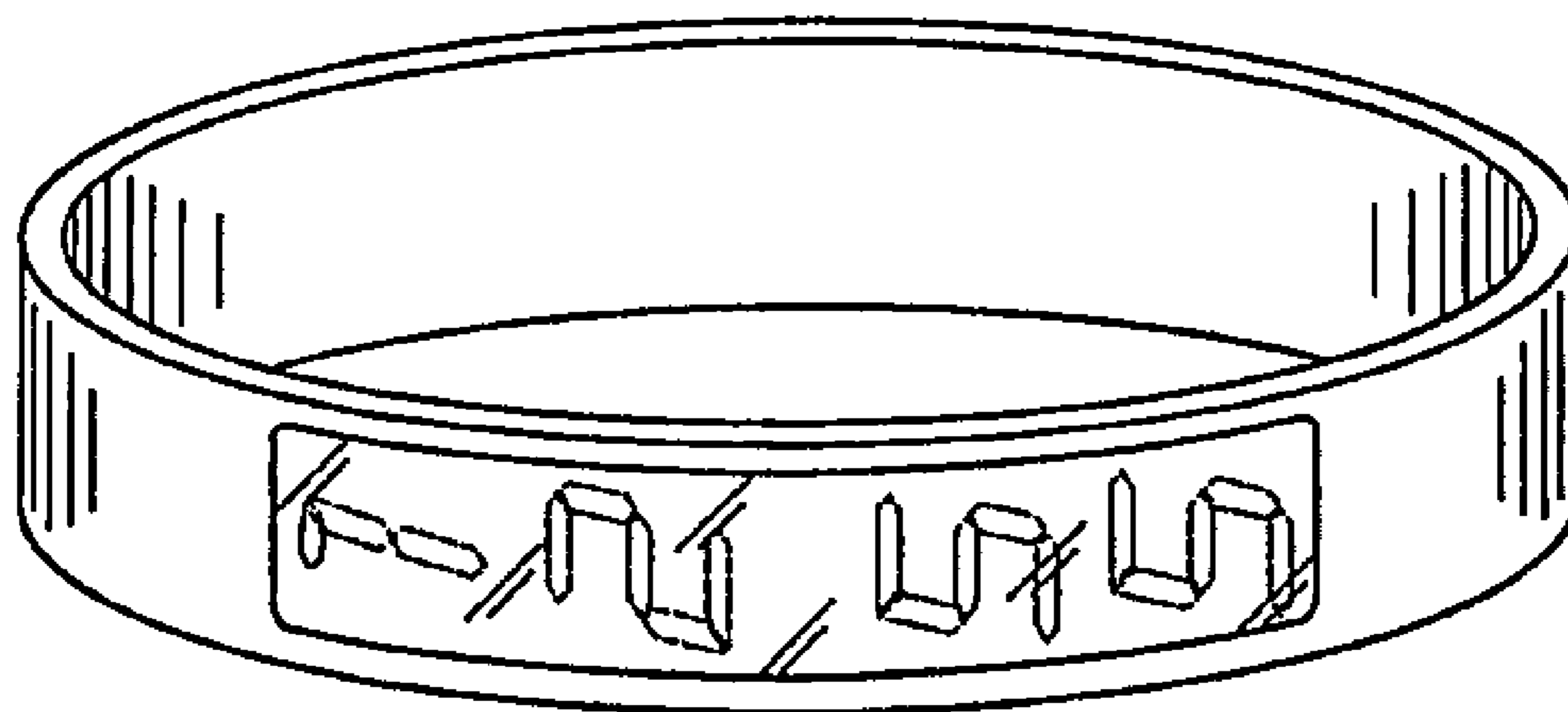


FIG. 1

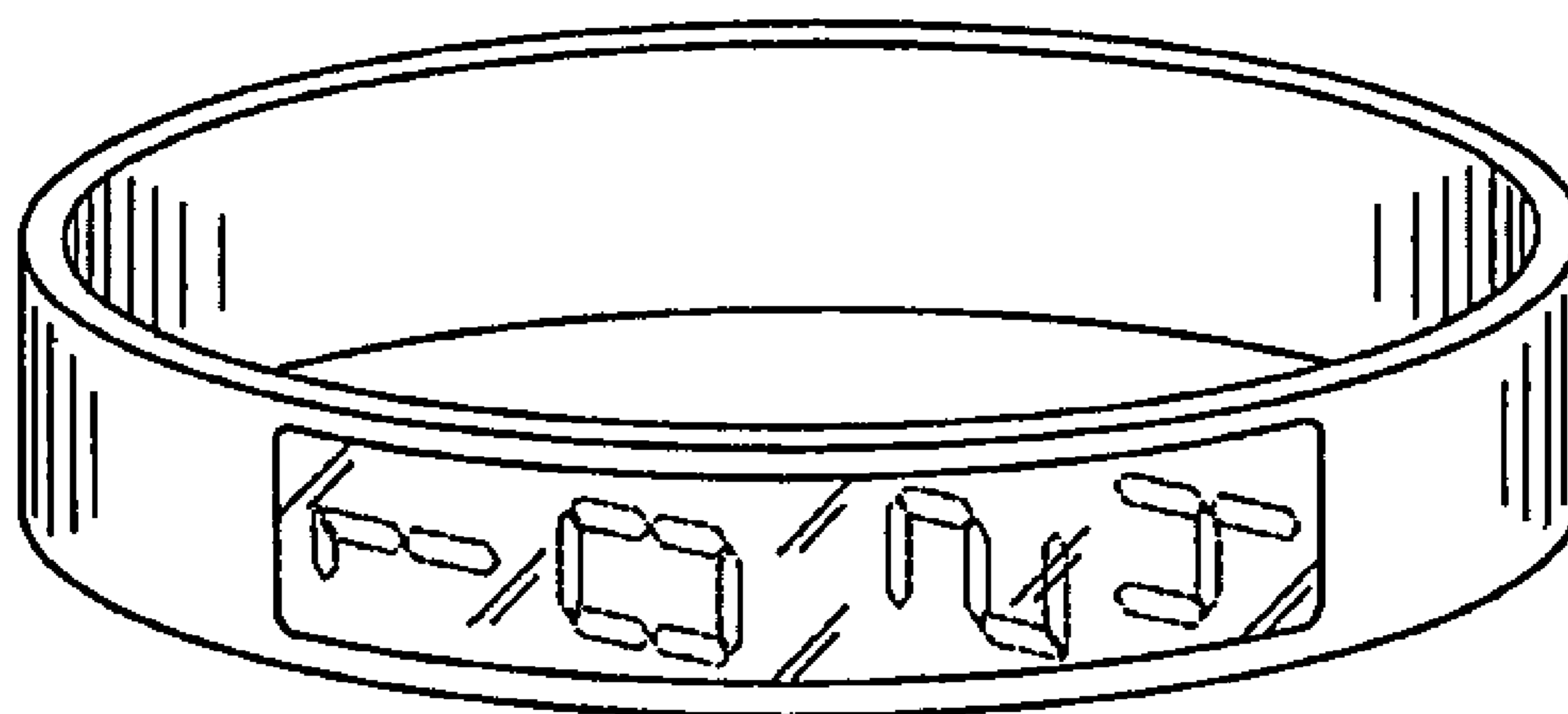


FIG. 2