



US00D600567S

(12) **United States Design Patent**
Hernandez et al.

(10) **Patent No.:** **US D600,567 S**

(45) **Date of Patent:** **** Sep. 22, 2009**

(54) **CONTAINER FOR SWEETS AND CANDIES**

D317,402 S * 6/1991 Segal D9/624
6,524,155 B1 * 2/2003 Lin 206/457

(76) Inventors: **Carlos Mora Hernandez**, Pelicano No. 818, Col. Morelos, C.P. 44910 Guadalajara, Jalisco (MX); **Carlos Mora Casillas**, Pelicano No. 818, Col. Morelos, C.P. 44910 Guadalajara, Jalisco (MX)

* cited by examiner

Primary Examiner—Sandra Morris
(74) *Attorney, Agent, or Firm*—Lackebach Siegel, LLP

(**) Term: **14 Years**

(21) Appl. No.: **29/320,720**

(22) Filed: **Jul. 2, 2008**

(51) **LOC (9) Cl.** **09-01**

(52) **U.S. Cl.** **D9/643; D9/600**

(58) **Field of Classification Search** D3/270–271.1;
D7/594, 599, 604, 613, 619.2, 623, 628;
D9/600, 643, 713; D1/127; 206/457–458;
215/400; 220/890

See application file for complete search history.

(56) **References Cited**

U.S. PATENT DOCUMENTS

1,847,415 A * 3/1932 Snell D1/127
D124,542 S * 1/1941 Spanel D9/713
D204,616 S * 5/1966 Kellerman D9/600

(57) **CLAIM**

The ornamental design for a container for sweets and candies, as shown and described.

DESCRIPTION

FIG. 1 is a top perspective view of the container for sweets and candies;

FIG. 2 is a left side view thereof; right side view being a mirror image thereof;

FIG. 3 is a top view thereof;

FIG. 4 is a bottom view thereof;

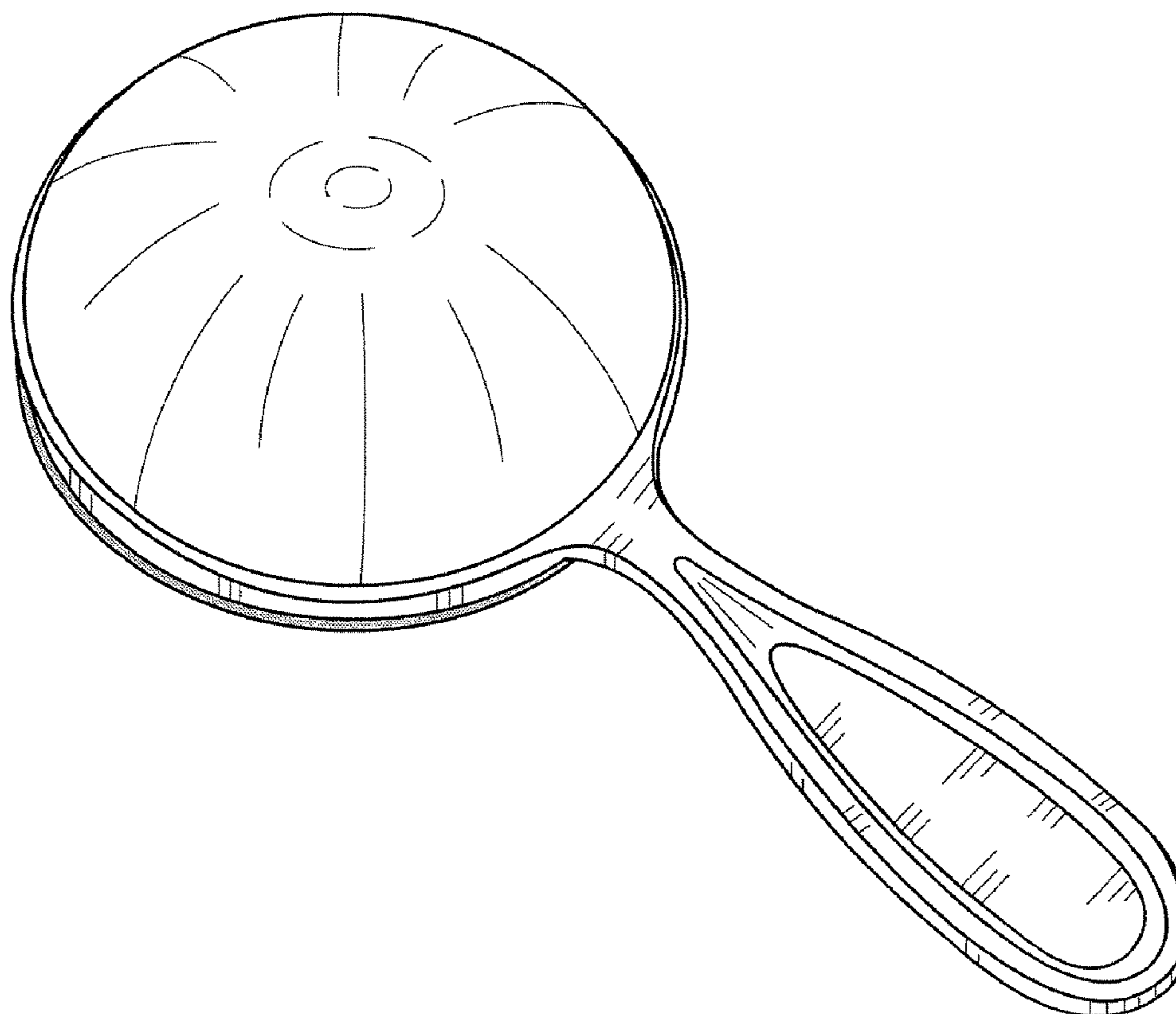
FIG. 5 is a front view thereof;

FIG. 6 is a rear view thereof;

FIG. 7 is an exploded top perspective view thereof; and,

FIG. 8 is an exploded bottom perspective view thereof.

1 Claim, 5 Drawing Sheets



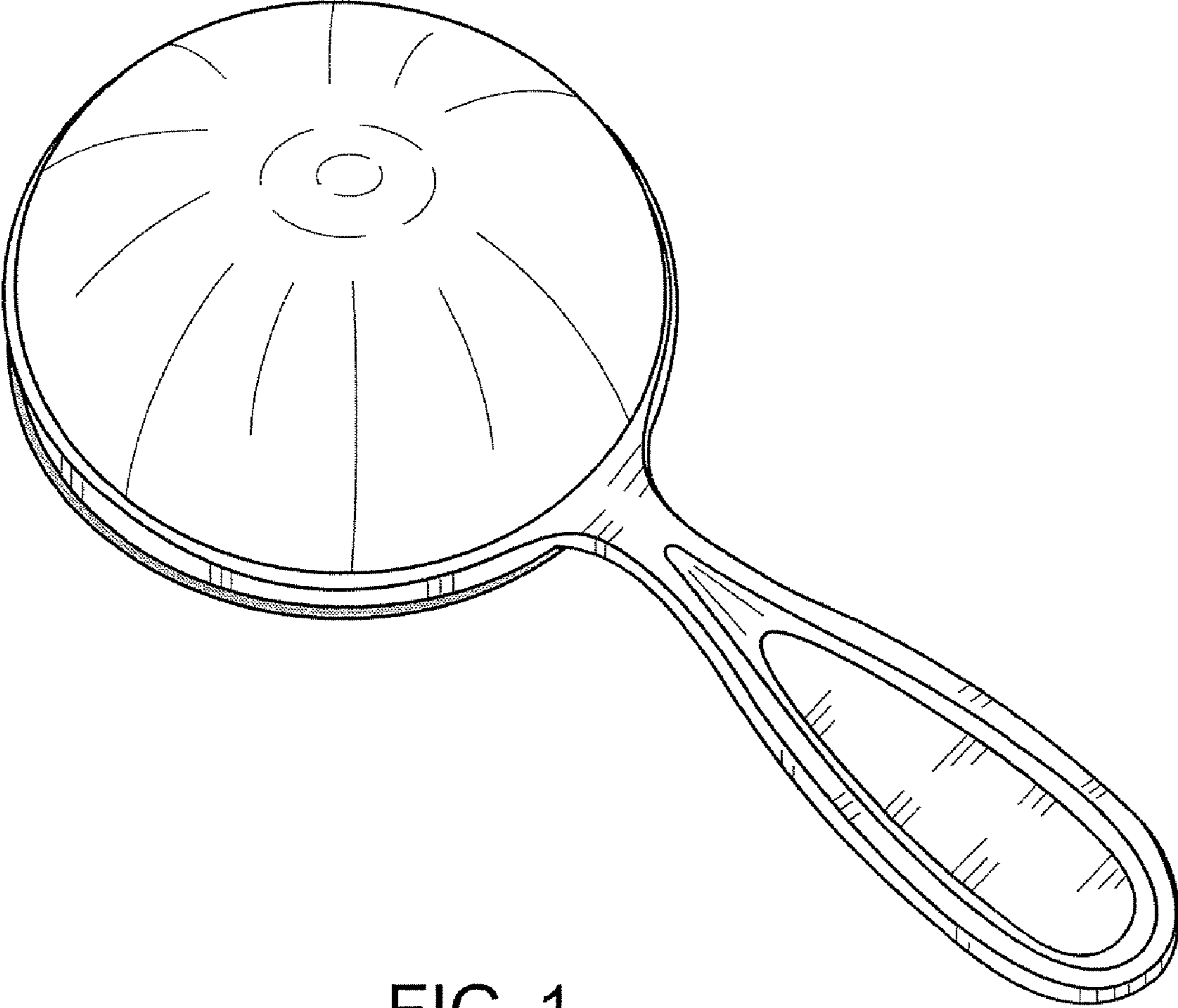


FIG. 1

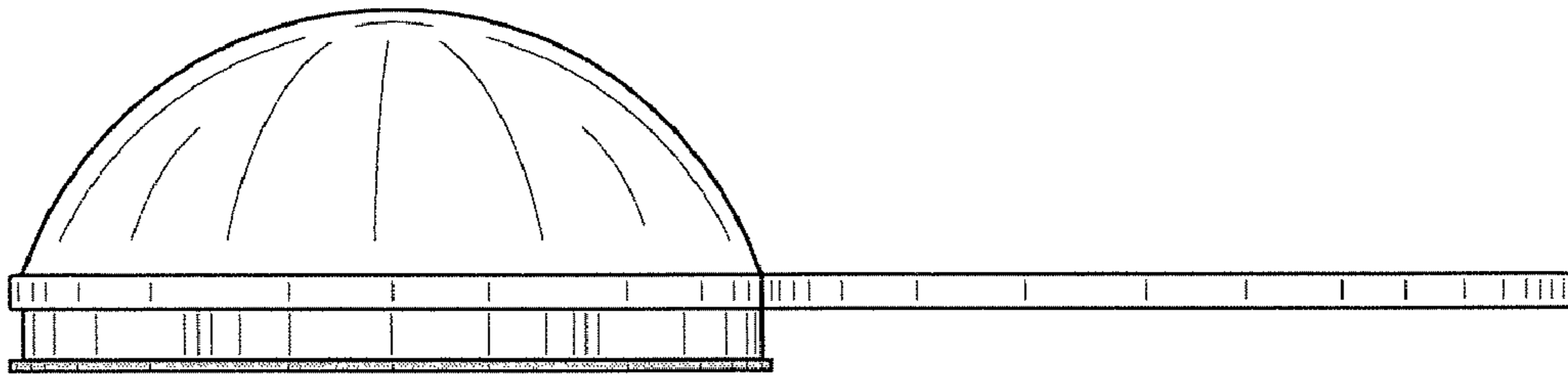


FIG. 2

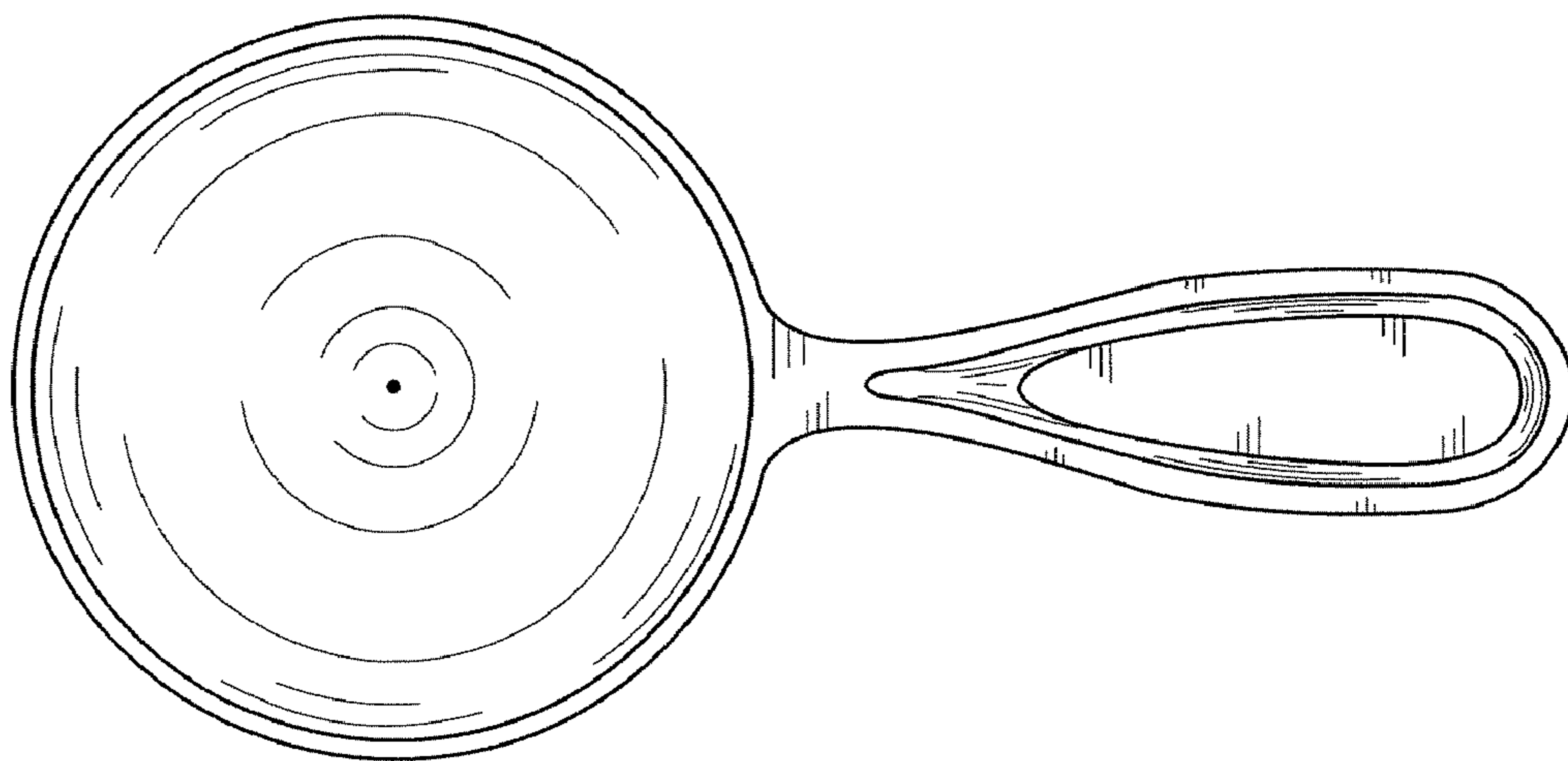


FIG. 3

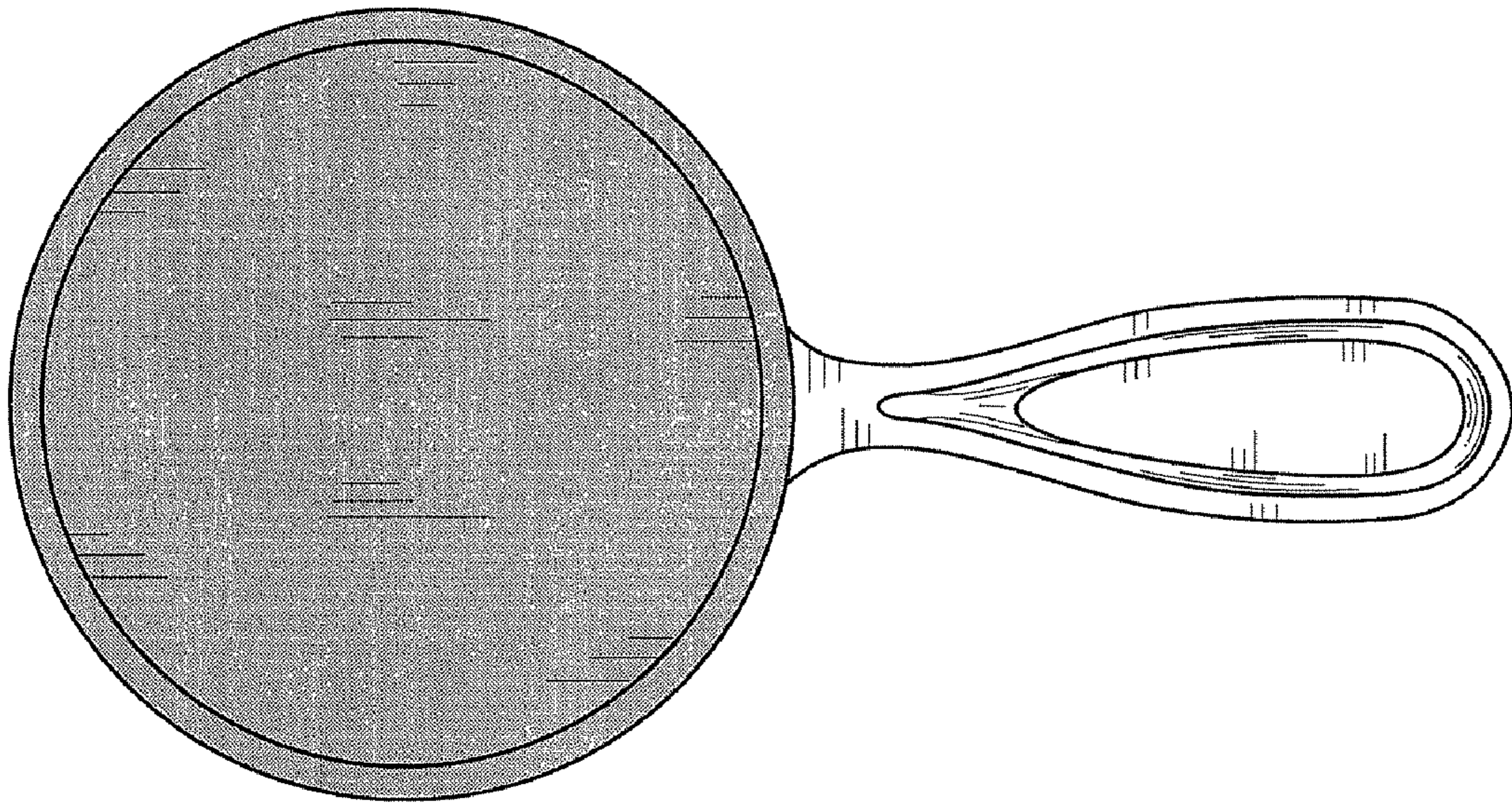


FIG. 4

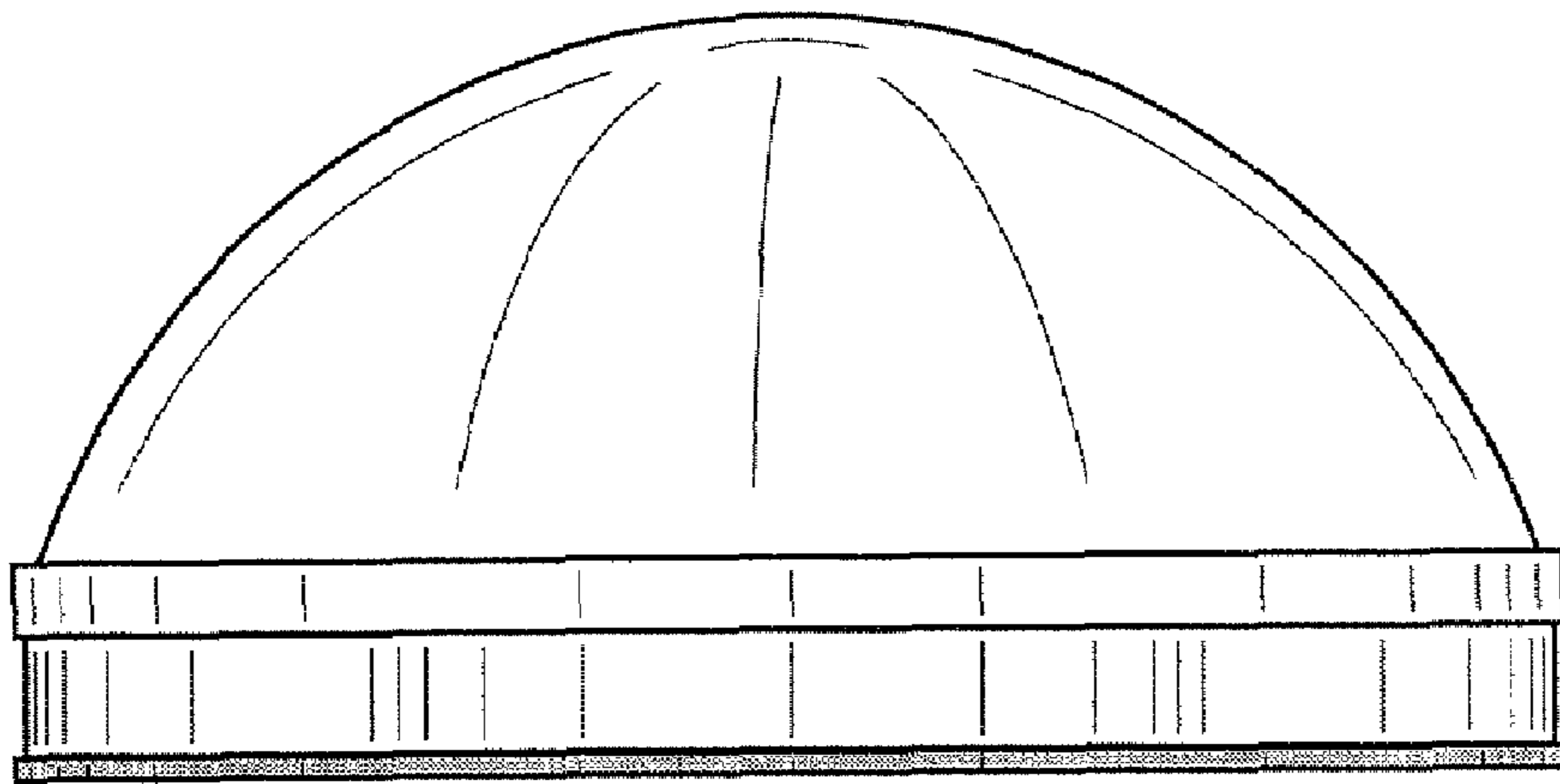


FIG. 5

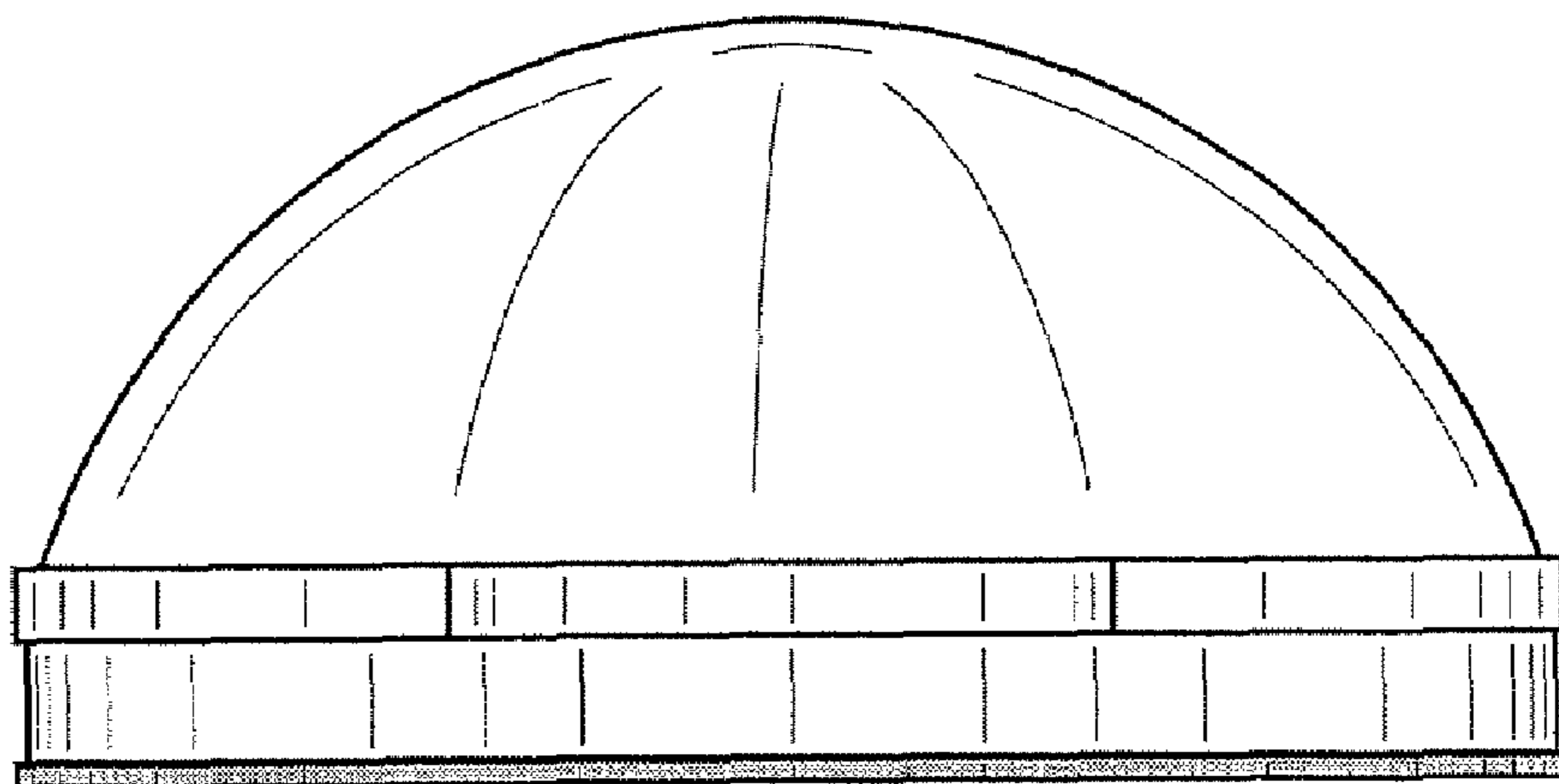


FIG. 6

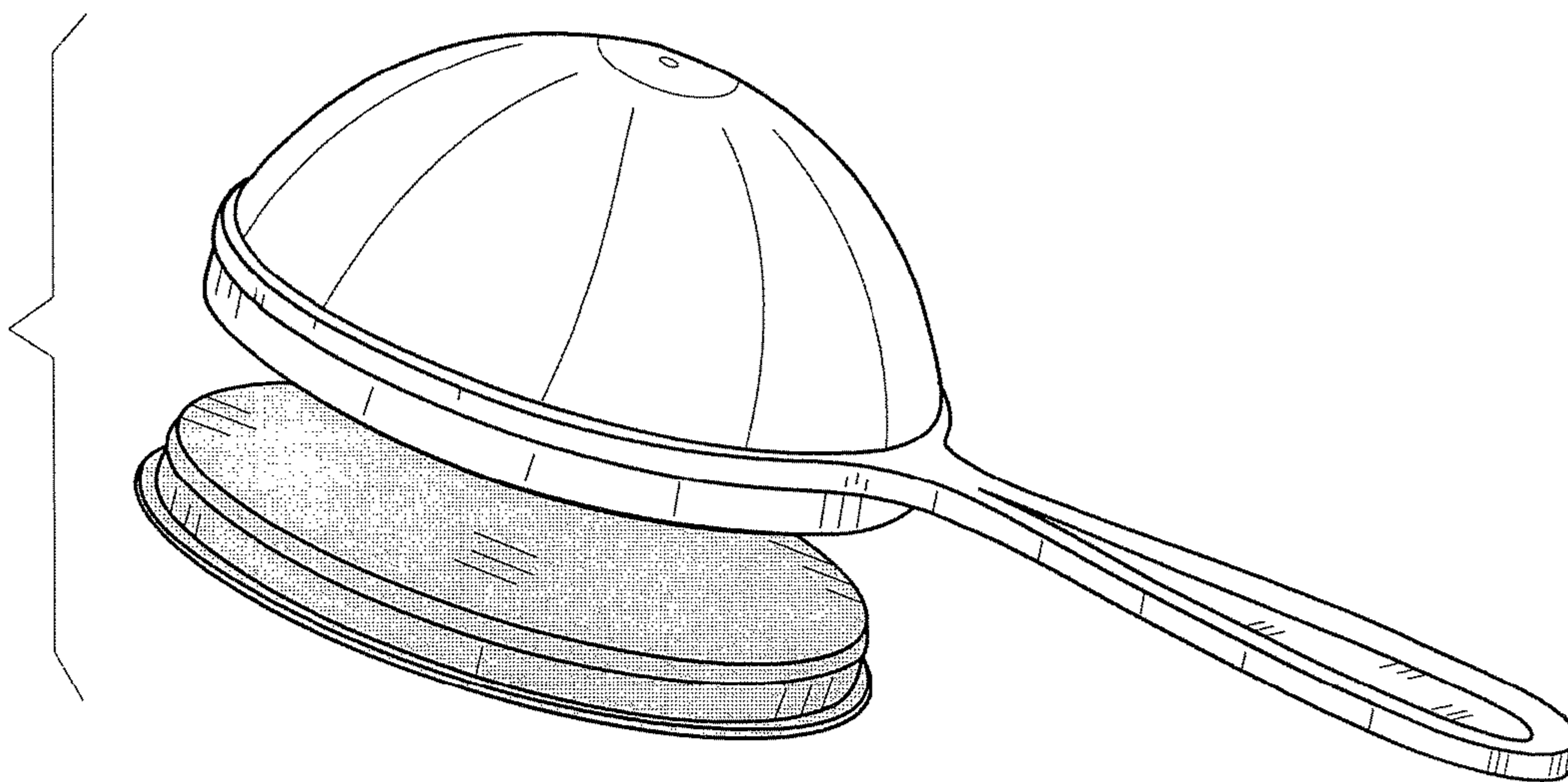


FIG. 7

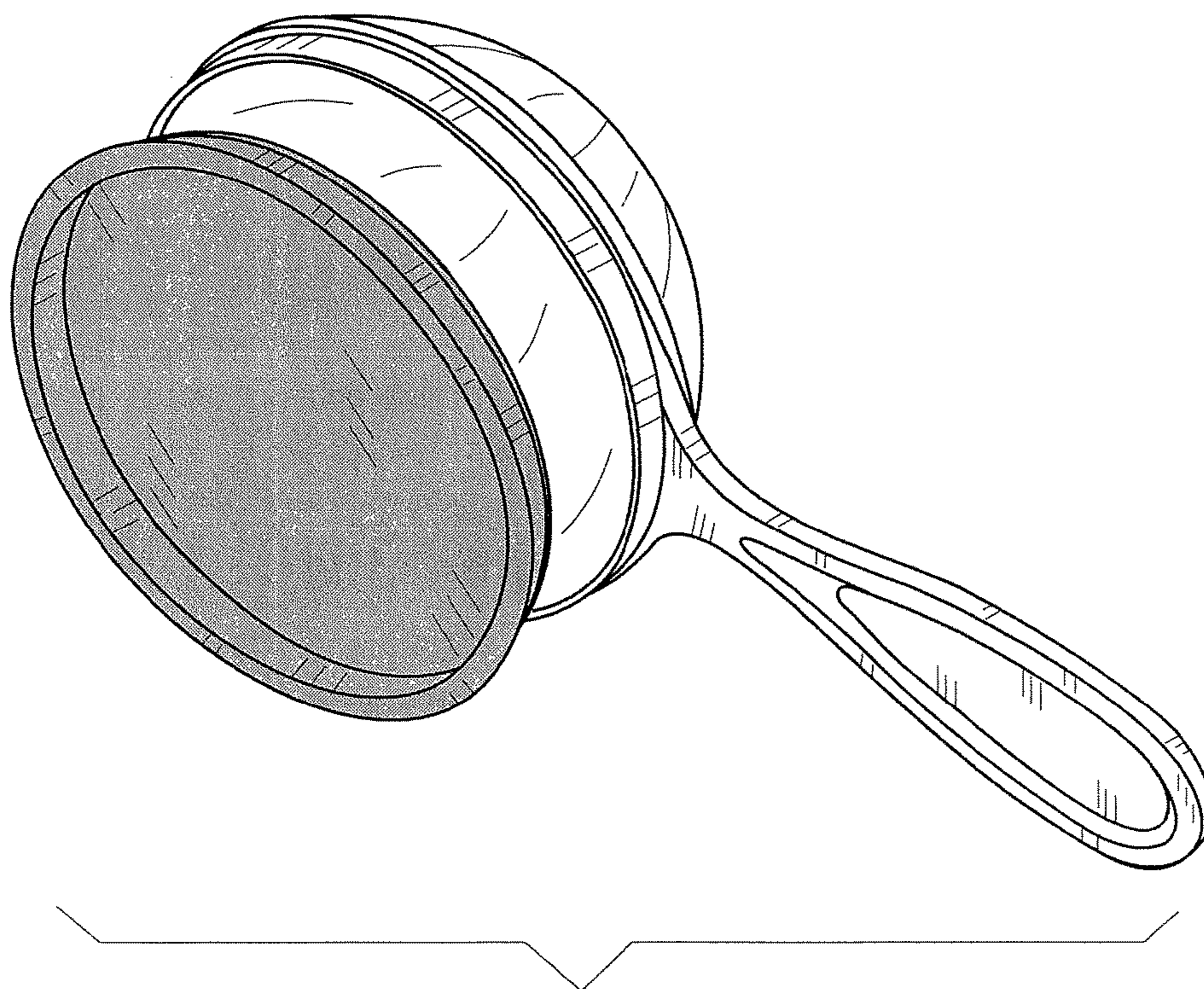


FIG. 8