

US00D600562S

(12) **United States Design Patent**
Sultan

(10) **Patent No.:** **US D600,562 S**

(45) **Date of Patent:** **** Sep. 22, 2009**

(54) **CONTAINER**

(76) Inventor: **Tim Sultan**, 6743 Holyoke Ct., Fort Collins, CO (US) 80525

(**) Term: **14 Years**

(21) Appl. No.: **29/321,396**

(22) Filed: **Jul. 16, 2008**

Related U.S. Application Data

(63) Continuation-in-part of application No. 29/302,666, filed on Jan. 22, 2008.

(51) **LOC (9) Cl.** **09-01**

(52) **U.S. Cl.** **D9/541; D9/564; D9/570; D9/574**

(58) **Field of Classification Search** D9/516, D9/523, 537-544, 545, 569-570, 571, 574-575, D9/682, 685-687, 694; 215/382-384; 220/660, 220/669, 675

See application file for complete search history.

(56) **References Cited**

U.S. PATENT DOCUMENTS

D94,231 S	1/1935	Mengle	
D116,016 S	8/1939	Buckingham	
D152,820 S *	2/1949	Nunes	D9/542
D206,193 S *	11/1966	Gooding	D9/542
D206,194 S *	11/1966	Gooding	D9/542
D228,343 S *	9/1973	Kretz	D9/563
D229,889 S *	1/1974	Brody	D9/542
D261,231 S *	10/1981	Grip	D9/575 X
D271,084 S *	10/1983	Gurolnick	D9/563
D291,969 S *	9/1987	Kramer et al.	D9/566
4,877,142 A	10/1989	Doering	
4,949,861 A	8/1990	Cochran	
5,634,504 A	6/1997	Chandler	
5,803,310 A	9/1998	Soon	
D419,077 S	1/2000	Sultan	
D422,919 S	4/2000	Scriven et al.	
6,070,753 A	6/2000	Hirst et al.	
D433,338 S *	11/2000	Blaakman	D9/542
6,161,713 A	12/2000	Krich	
D439,522 S *	3/2001	Blaakman	D9/542
D461,416 S *	8/2002	Pieschel	D9/530
D484,419 S	12/2003	Potocki et al.	

D502,598 S *	3/2005	Chen	D3/273
6,880,734 B2	4/2005	Baeke, Jr.	
D510,028 S *	9/2005	Hasler	D9/564 X
6,974,047 B2	12/2005	Kelley et al.	
D551,085 S	9/2007	Feen	
D555,500 S *	11/2007	Johnston et al.	D9/574 X
D576,884 S *	9/2008	Feen	D9/523
D579,781 S *	11/2008	Granitz	D9/542
2007/0045222 A1	3/2007	Denner et al.	

OTHER PUBLICATIONS

Internet screen shot for STP Fuel Additives, at http://www.stp.com/fuel_additives.html, dated Dec. 2007.

Website image for Gumout Fuel Injector/Carburetor Cleaner, at http://ace.imageg.net/graphics/product_images/pACE-981898dt.jpg, dated Dec. 2007.

Website image for Prestone Fuel Injector Cleaner, at http://ecx.images-amazon.com/images/I/41QMC6SPR7L._SS500_.jpg, dated Dec. 2007.

Internet screen shot for Valvoline Super Concentrated Fuel Injector Cleaner, at http://www.valvoline.com/pages/products/product_detail.asp?product=57, dated Dec. 2007.

* cited by examiner

Primary Examiner—Carol Rademaker

(74) *Attorney, Agent, or Firm*—Hoffmann & Baron, LLP

(57)

CLAIM

The ornamental design for a container, as shown and described.

DESCRIPTION

FIG. 1 is a perspective view of a container showing my new design;

FIG. 2 is a front elevation view thereof, the back being a mirror image;

FIG. 3 is a right side elevation view thereof, the left side being a mirror image; and,

FIG. 4 is a top view thereof.

The broken lines shown in the drawings are included for the purpose of showing environmental structure that forms no part of the claimed design.

1 Claim, 4 Drawing Sheets

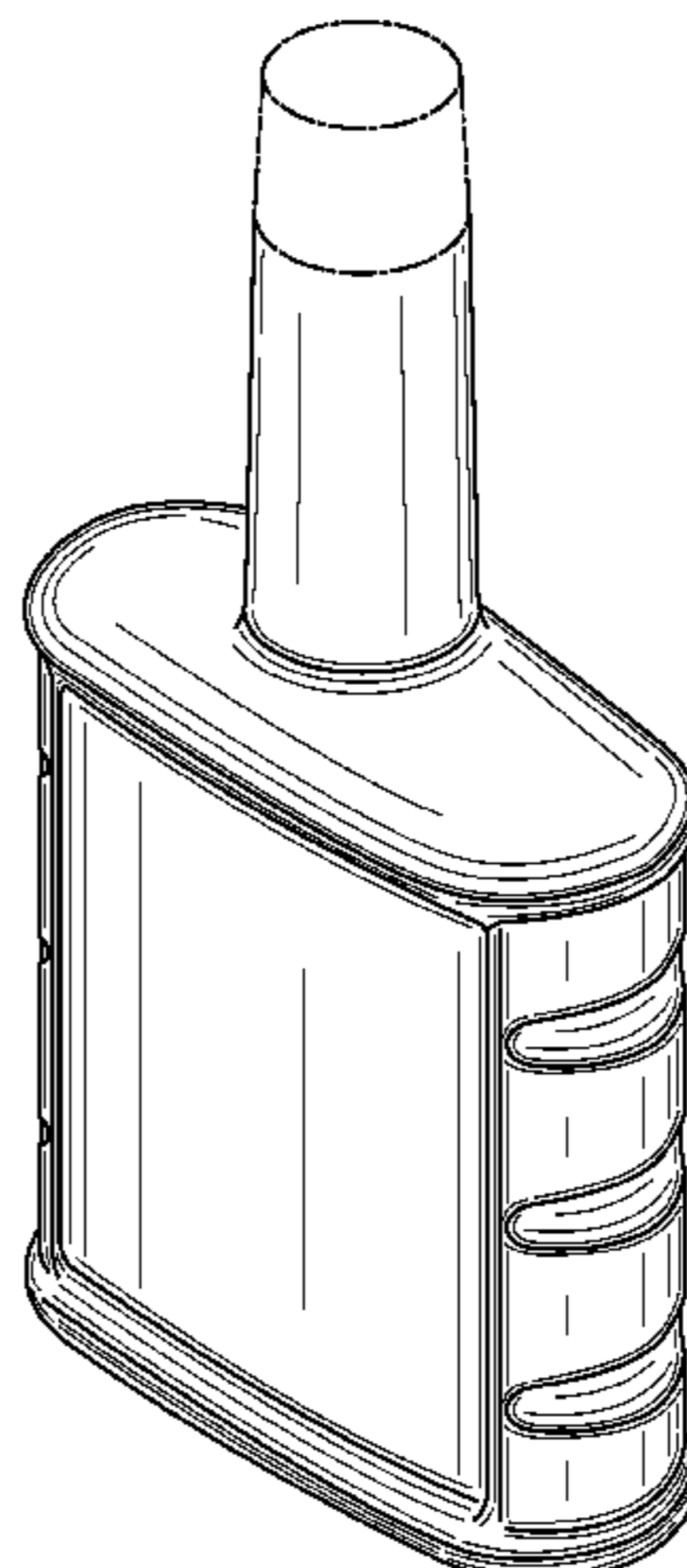


FIG. 1

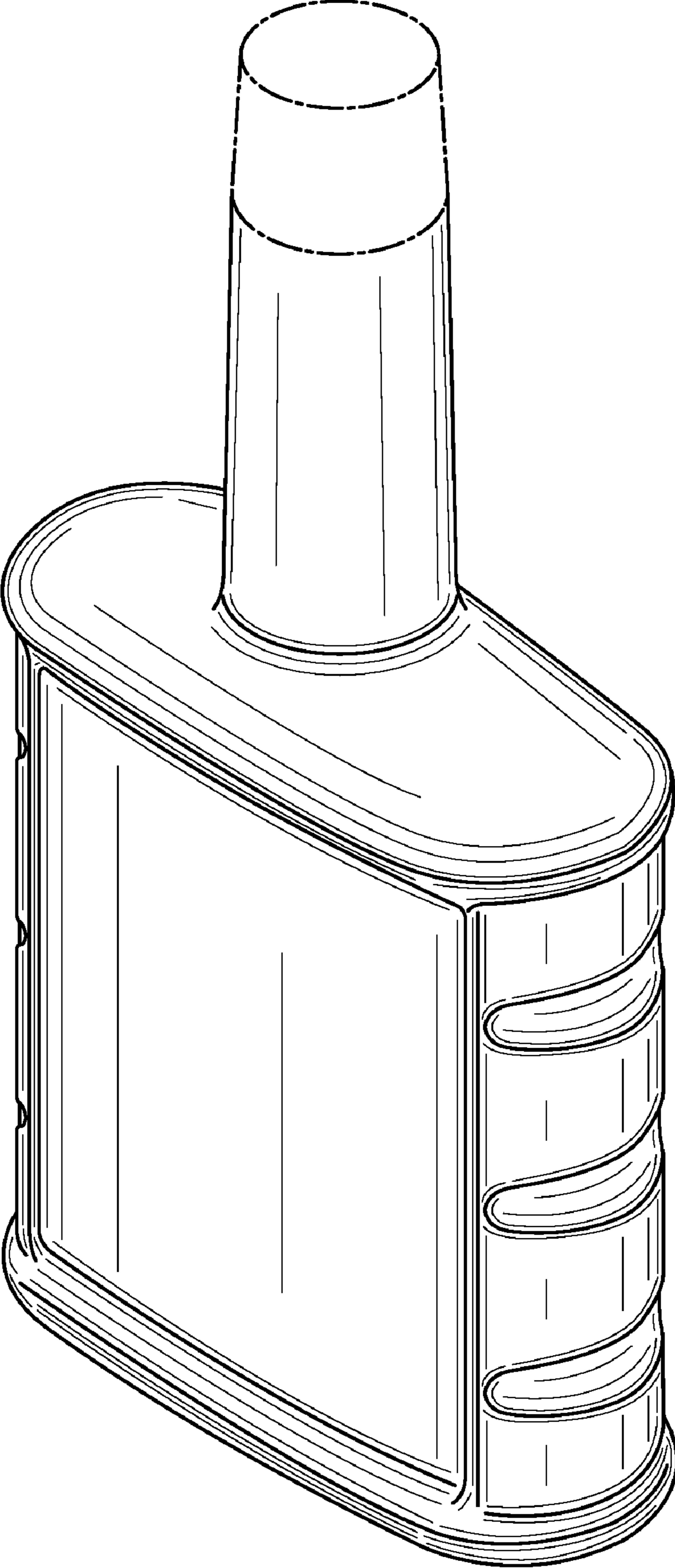


FIG.2

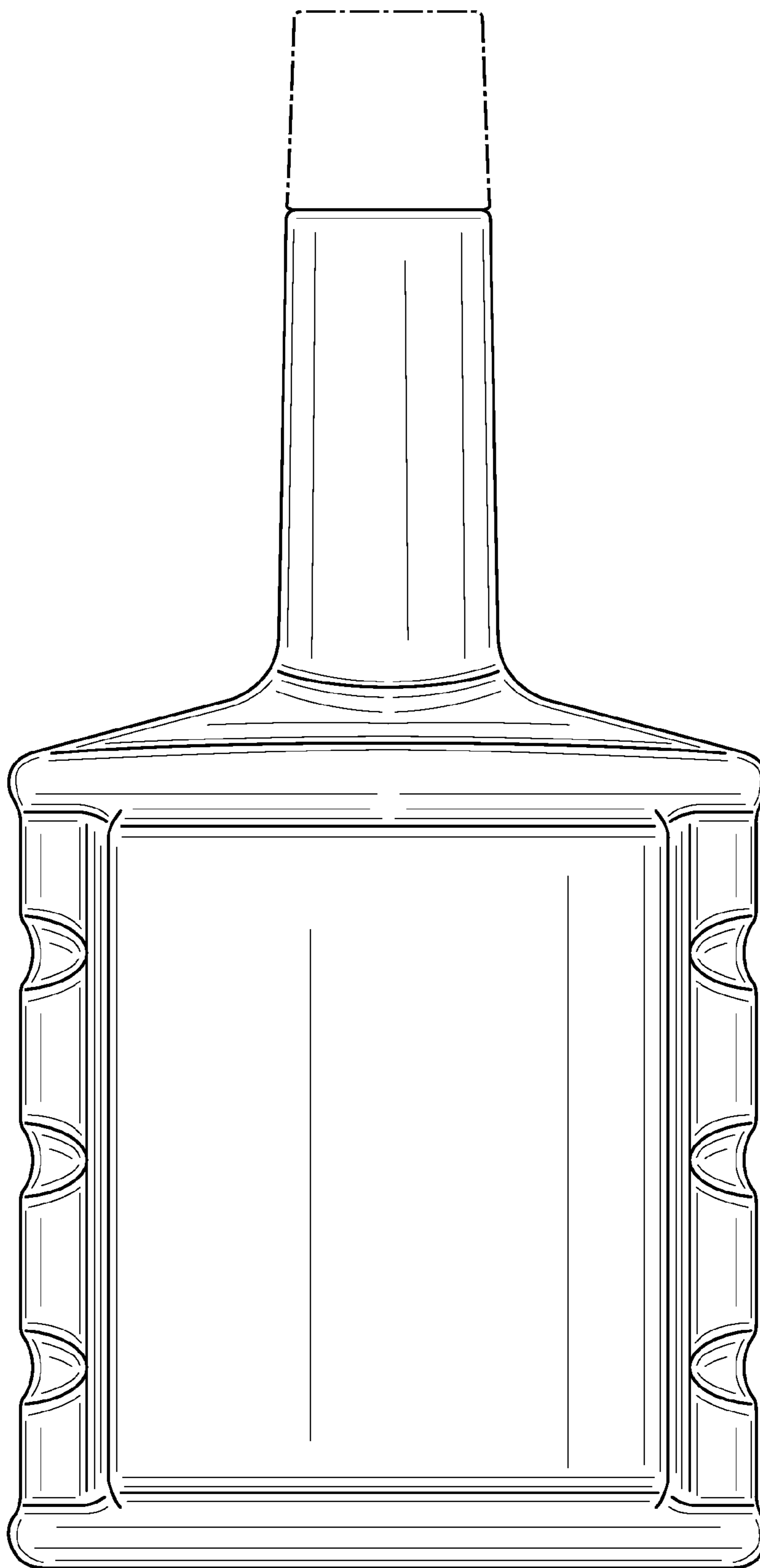


FIG. 3

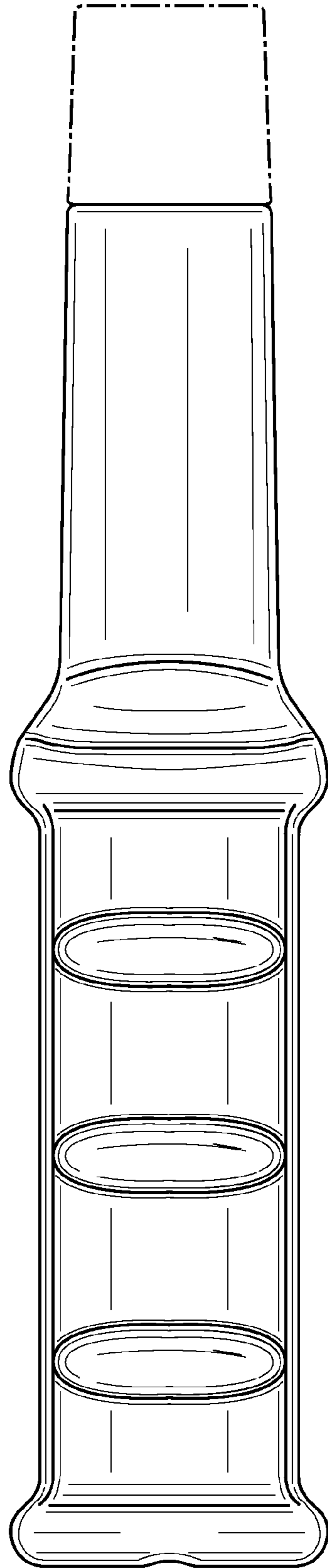


FIG. 4

