

US00D600550S

(12) **United States Design Patent**
King

(10) **Patent No.:** **US D600,550 S**

(45) **Date of Patent:** **** Sep. 22, 2009**

(54) **PACKAGING TRAY WITH APERTURES**

(75) Inventor: **Stephen King**, West Sussex (GB)

(73) Assignee: **Alexir Packaging, Ltd.**, Crawley, West Sussex (GB)

(**) Term: **14 Years**

(21) Appl. No.: **29/290,425**

(22) Filed: **Dec. 4, 2007**

(30) **Foreign Application Priority Data**

Jun. 4, 2007 (EP) 000733969-0002

(51) **LOC (9) Cl.** **09-03**

(52) **U.S. Cl.** **D9/433**

(58) **Field of Classification Search** D9/430-433,
D9/414, 418, 420-423, 435, 560, 561; D3/201,
D3/272, 273, 305; 206/279, 297, 299, 320,
206/339, 433, 769, 770, 775, 776, 781, 782,
206/822; 229/100, 103.3, 104-106, 107,
229/108, 108.1, 110, 111, 112, 115, 117.16,
229/120, 125.015, 120.32, 133.24, 122.29,
229/124, 160.1, 162.1, 162.6, 163, 182.1,
229/201, 406, 407, 902, 904, 906, 922, 930,
229/939, 942; D7/602, 629

See application file for complete search history.

(56) **References Cited**

U.S. PATENT DOCUMENTS

260,604 A * 7/1882 Palmer 220/62.1
1,704,175 A * 3/1929 Coale 229/5.82
1,959,613 A * 5/1934 Carson 229/186
2,643,812 A * 6/1953 Lange 229/186
3,038,634 A * 6/1962 Cheeley 220/62
3,316,102 A * 4/1967 Doll et al. 426/129
3,536,248 A * 10/1970 Odenhagen et al. 229/116
3,550,835 A * 12/1970 Persson 229/123.2
3,565,324 A * 2/1971 Odenhagen 229/170
3,669,340 A * 6/1972 Kinney 229/170
3,812,641 A * 5/1974 Bemiss 53/411

3,851,808 A * 12/1974 Schilling 294/172
3,917,155 A * 11/1975 Bemiss 229/169
3,927,505 A * 12/1975 Bemiss 53/456
4,056,221 A * 11/1977 Piltz et al. 229/164.1
4,183,435 A * 1/1980 Thompson et al. 206/557
4,252,268 A * 2/1981 Haire 229/120
4,417,882 A * 11/1983 Wallin 493/174
4,636,187 A * 1/1987 Oakley 493/134
4,721,040 A * 1/1988 Mau 100/211
4,944,451 A * 7/1990 Forbes, Jr. 229/120.17

(Continued)

FOREIGN PATENT DOCUMENTS

JP 2001240042 A * 9/2001

OTHER PUBLICATIONS

Alexir Ltd. Alexi Pack; Sustainable Packaging Solutions For The Food Industry; 2007; 4 pages.

Primary Examiner—T. Chase Nelson

Assistant Examiner—Karen Acker

(74) *Attorney, Agent, or Firm*—Nixon & Vanderhye, PC

(57) **CLAIM**

The ornamental design for a “packaging tray with apertures,” as shown and described.

DESCRIPTION

FIG. 1 is a perspective view of a packaging tray with apertures showing my new design;

FIG. 2 is a top plan view thereof;

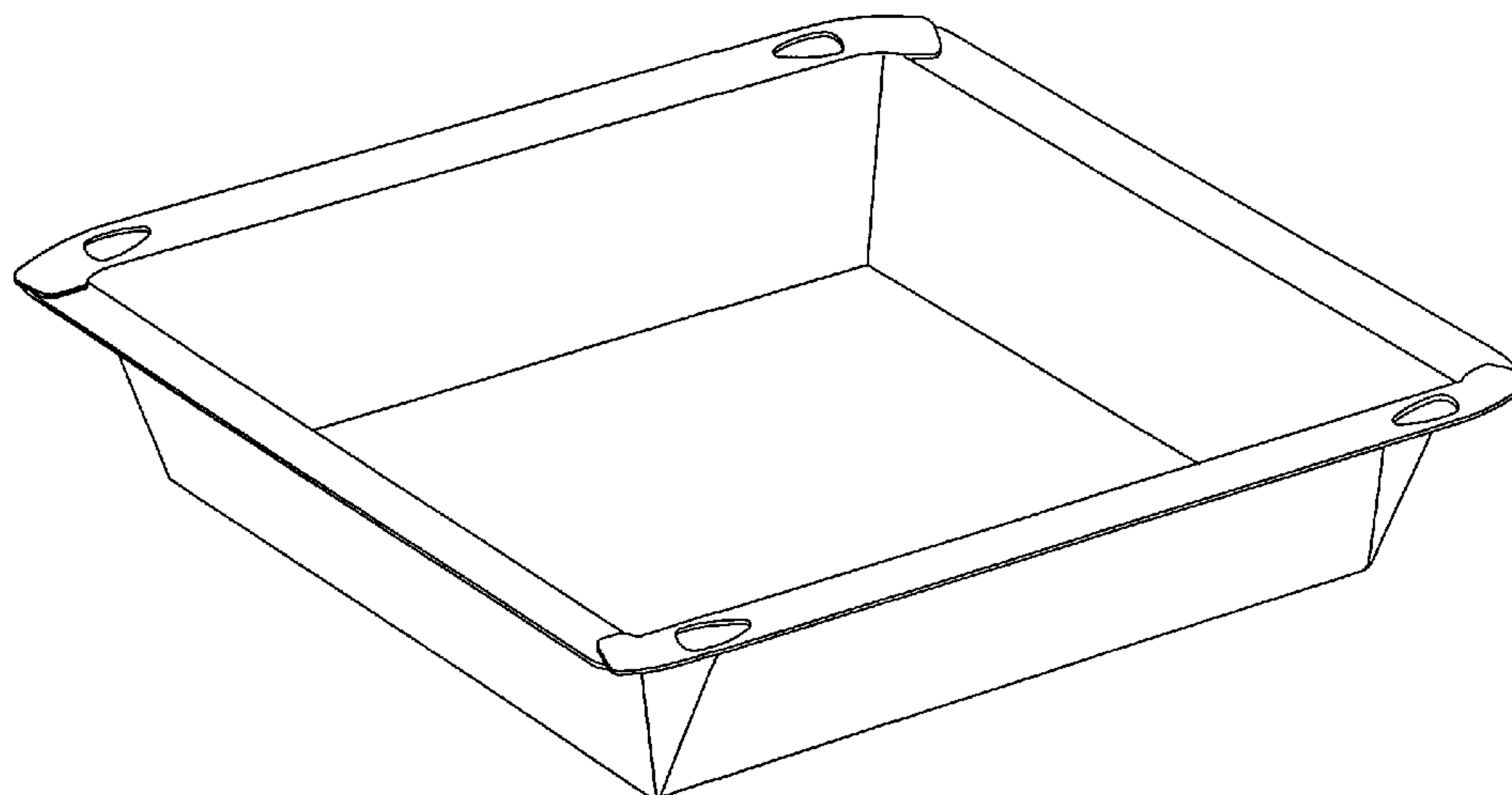
FIG. 3 is a front elevational view thereof, the rear elevational view being a mirror image thereof;

FIG. 4 is a right side view thereof, the left side view being a mirror image thereof;

FIG. 5 is a bottom plan view thereof; and,

FIG. 6 is a plan view of the packaging tray with apertures of FIG. 1 in an unassembled condition.

1 Claim, 4 Drawing Sheets



US D600,550 S

Page 2

U.S. PATENT DOCUMENTS

| | | | | | | | | | | | |
|-----------|-----|--------|-------------|-------|------------|-----------|------|--------|---------------|-------|------------|
| 4,998,669 | A * | 3/1991 | Karolyi | | 229/170 | 5,425,972 | A * | 6/1995 | Calvert | | 428/34.2 |
| 5,009,939 | A * | 4/1991 | Goldberg | | 428/34.2 | 5,433,374 | A * | 7/1995 | Forbes, Jr. | | 229/125.35 |
| 5,244,145 | A * | 9/1993 | Forbes, Jr. | | 229/125.35 | RE36,158 | E * | 3/1999 | Forbes, Jr. | | 229/125.35 |
| 5,326,022 | A * | 7/1994 | Green | | 229/120 | D406,235 | S * | 3/1999 | Barnes et al. | | D9/433 |
| 5,418,008 | A * | 5/1995 | Calvert | | 427/203 | 6,092,720 | A * | 7/2000 | Karolyi | | 229/169 |
| | | | | | | 6,505,769 | B2 * | 1/2003 | Stone | | 229/186 |

* cited by examiner

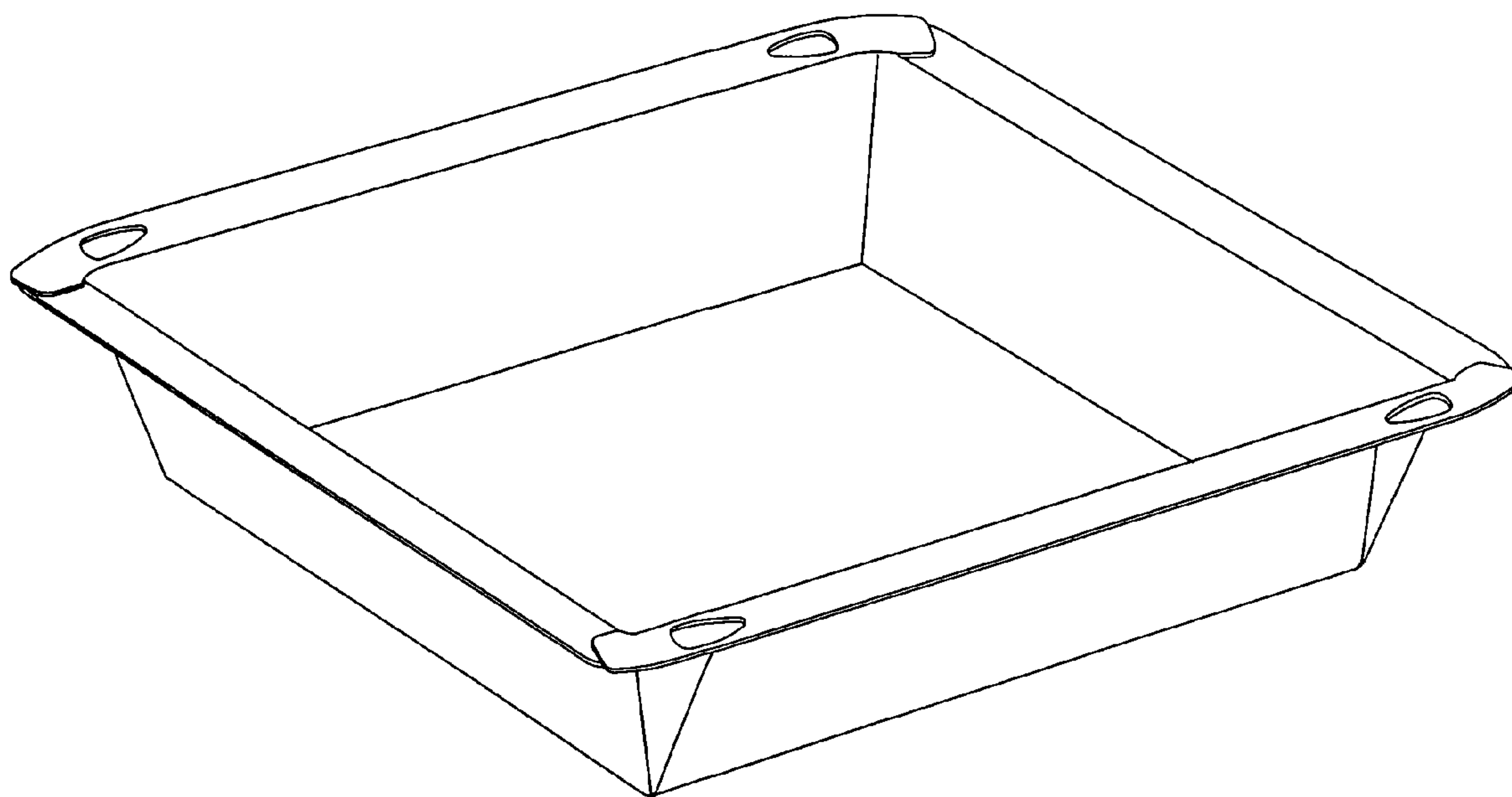


FIGURE 1

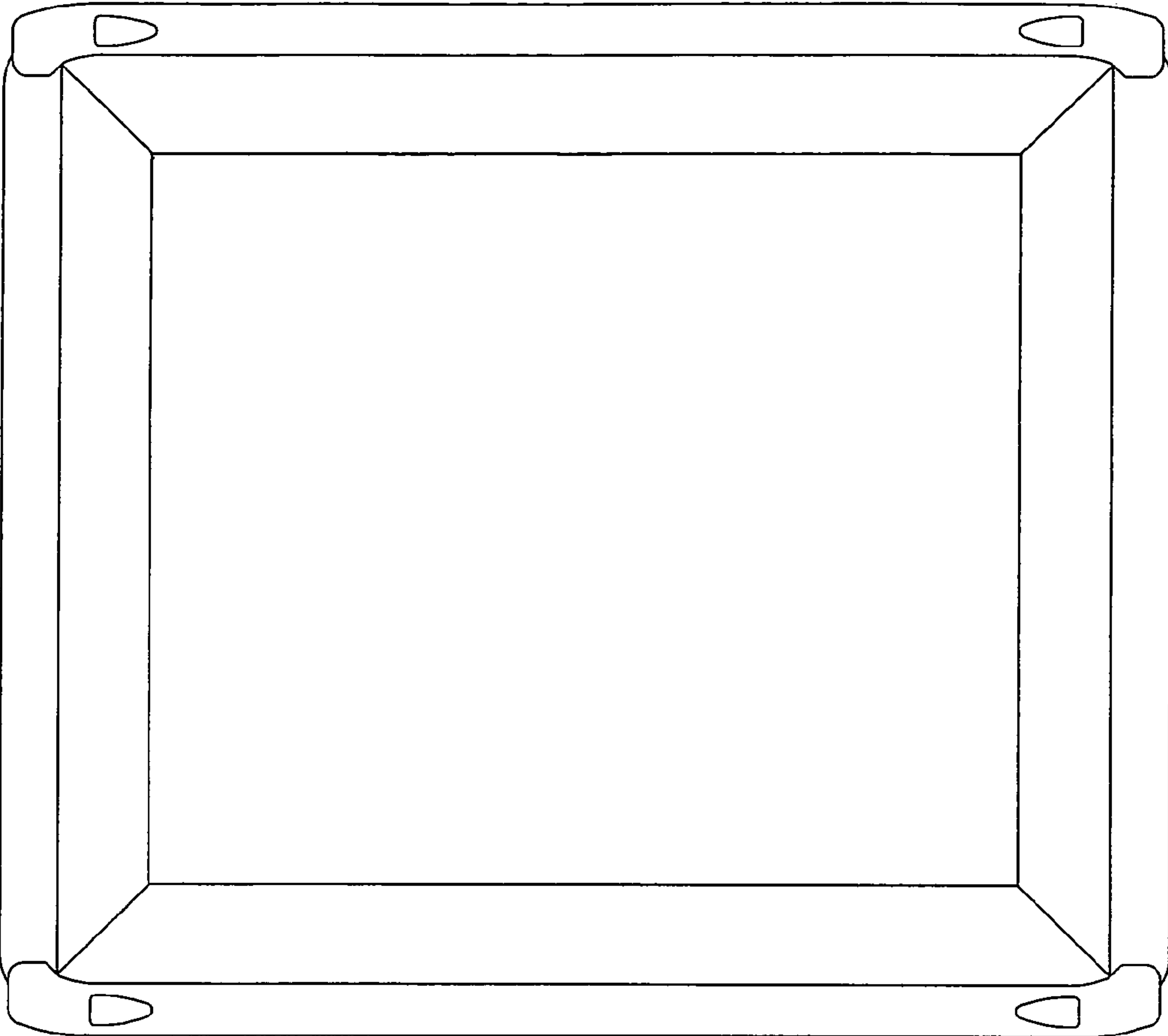


FIGURE 2

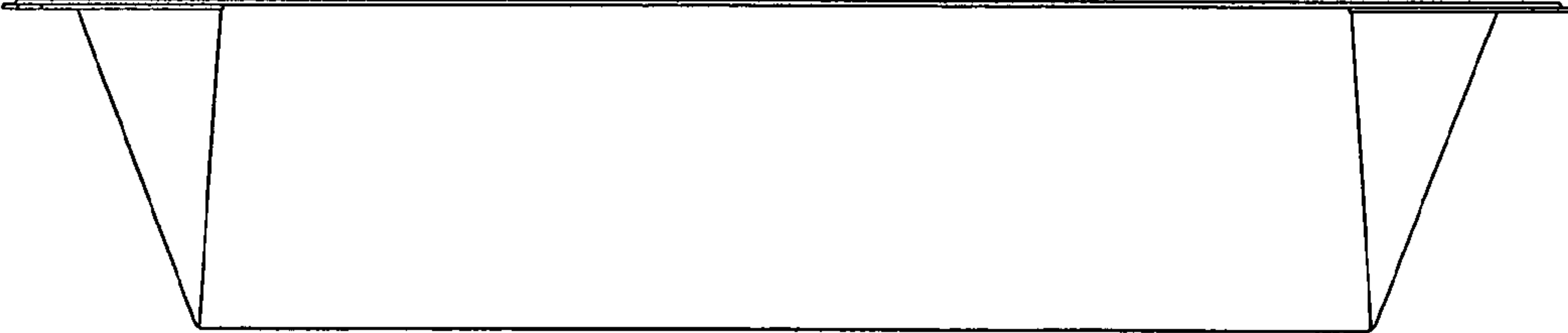


FIGURE 3

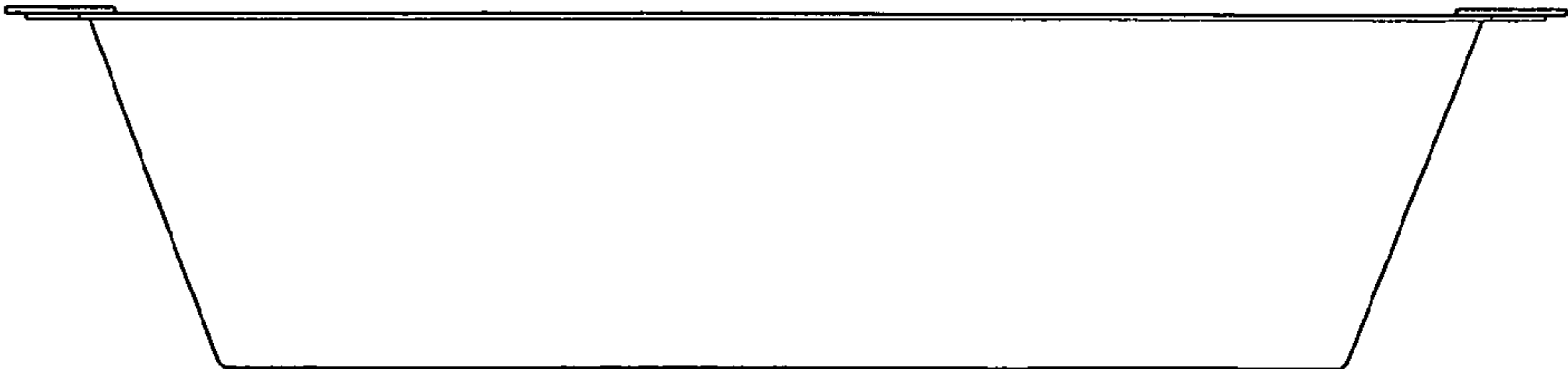


FIGURE 4

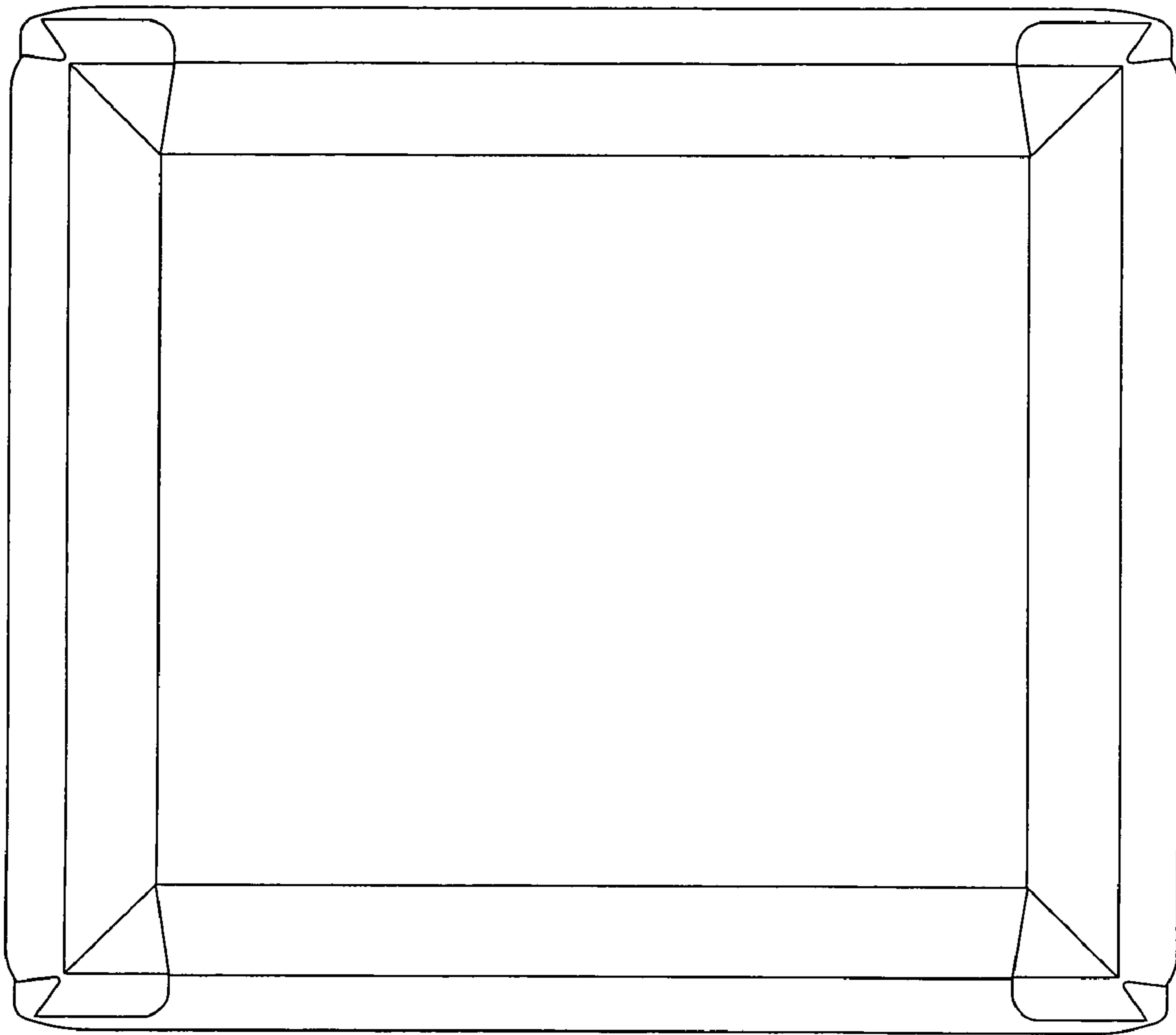


FIGURE 5

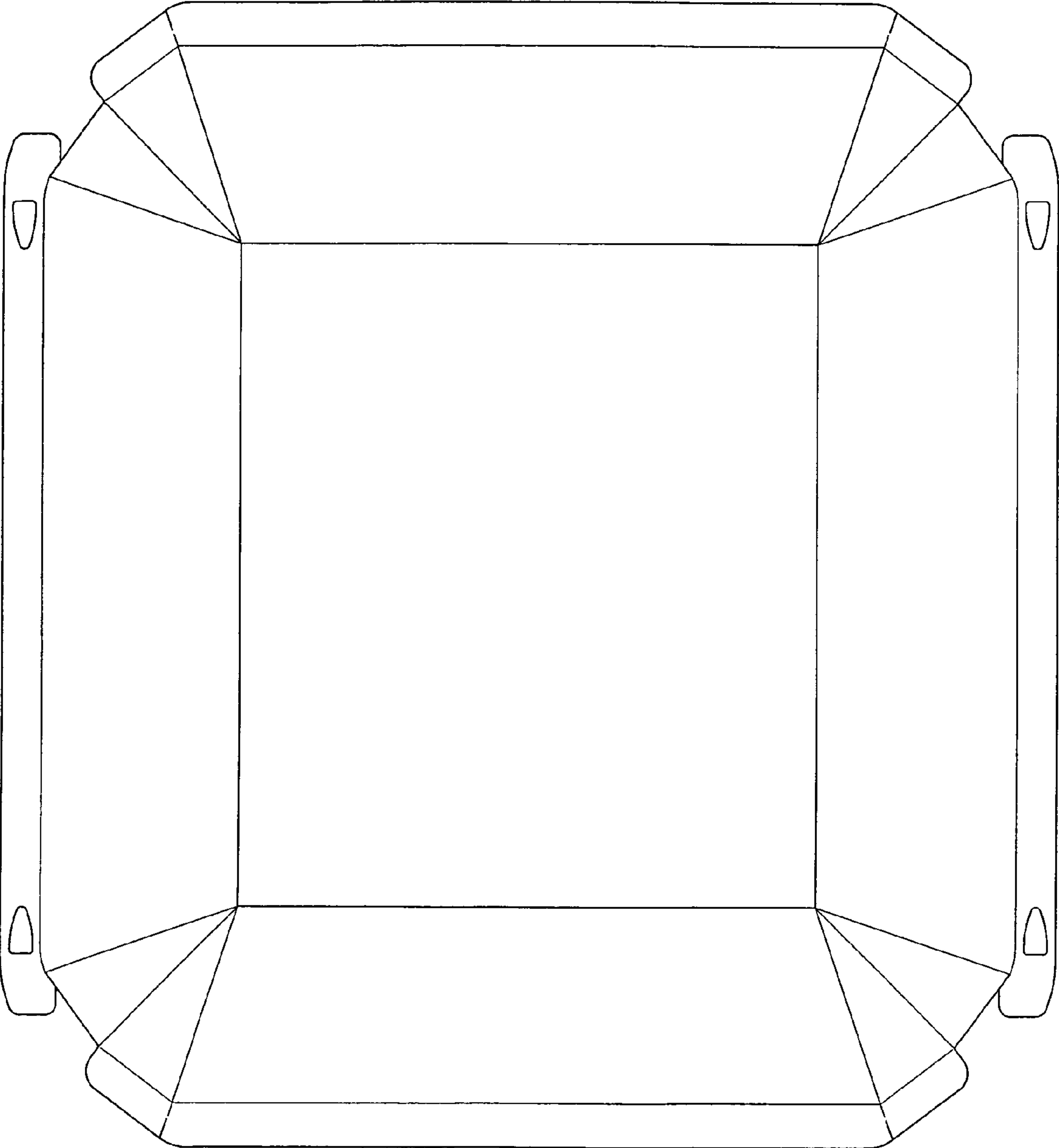


FIGURE 6