



US00D600547S

(12) **United States Design Patent**
Cain

(10) **Patent No.:** **US D600,547 S**

(45) **Date of Patent:** **** Sep. 22, 2009**

(54) **CARTON**

(75) Inventor: **Kara Marie Cain**, Cincinnati, OH (US)

(73) Assignee: **The Procter & Gamble Company**,
Cincinnati, OH (US)

(**) Term: **14 Years**

(21) Appl. No.: **29/333,270**

(22) Filed: **Mar. 5, 2009**

(51) **LOC (9) Cl.** **09-03**

(52) **U.S. Cl.** **D9/418; D9/432**

(58) **Field of Classification Search** D9/414-433;
206/205, 495, 733, 769, 773, 777-779, 781-783;
229/120, 148, 154, 162.1, 162.3, 162.6, 162.7
See application file for complete search history.

(56) **References Cited**

U.S. PATENT DOCUMENTS

D125,781	S *	3/1941	Nagle	D9/418
2,700,456	A *	1/1955	Gillam	206/777
D275,837	S *	10/1984	Poelvoorde	D9/418
4,854,474	A *	8/1989	Murray et al.	220/1.5
D446,113	S *	8/2001	Steinfels	D9/418
D446,717	S *	8/2001	Lancaster et al.	D9/418
6,460,703	B1 *	10/2002	Thompson et al.	206/779

D466,804	S *	12/2002	Solland	D9/418
D532,686	S *	11/2006	Wijerama	D9/418
D543,450	S *	5/2007	Watzig et al.	D9/418
D551,969	S *	10/2007	Aurilio et al.	D9/432
D595,129	S *	6/2009	Russell et al.	D9/432
2004/0094437	A1 *	5/2004	Dailey, III	206/205

* cited by examiner

Primary Examiner—Philip S Hyder

Assistant Examiner—Susan E Krakower

(74) *Attorney, Agent, or Firm*—Amy I. Ahn-Roll

(57) **CLAIM**

The ornamental design for a carton, as shown and described.

DESCRIPTION

FIG. 1 is a perspective view of a carton, according to the present invention;

FIG. 2 is a front view thereof;

FIG. 3 is a right side elevational view thereof;

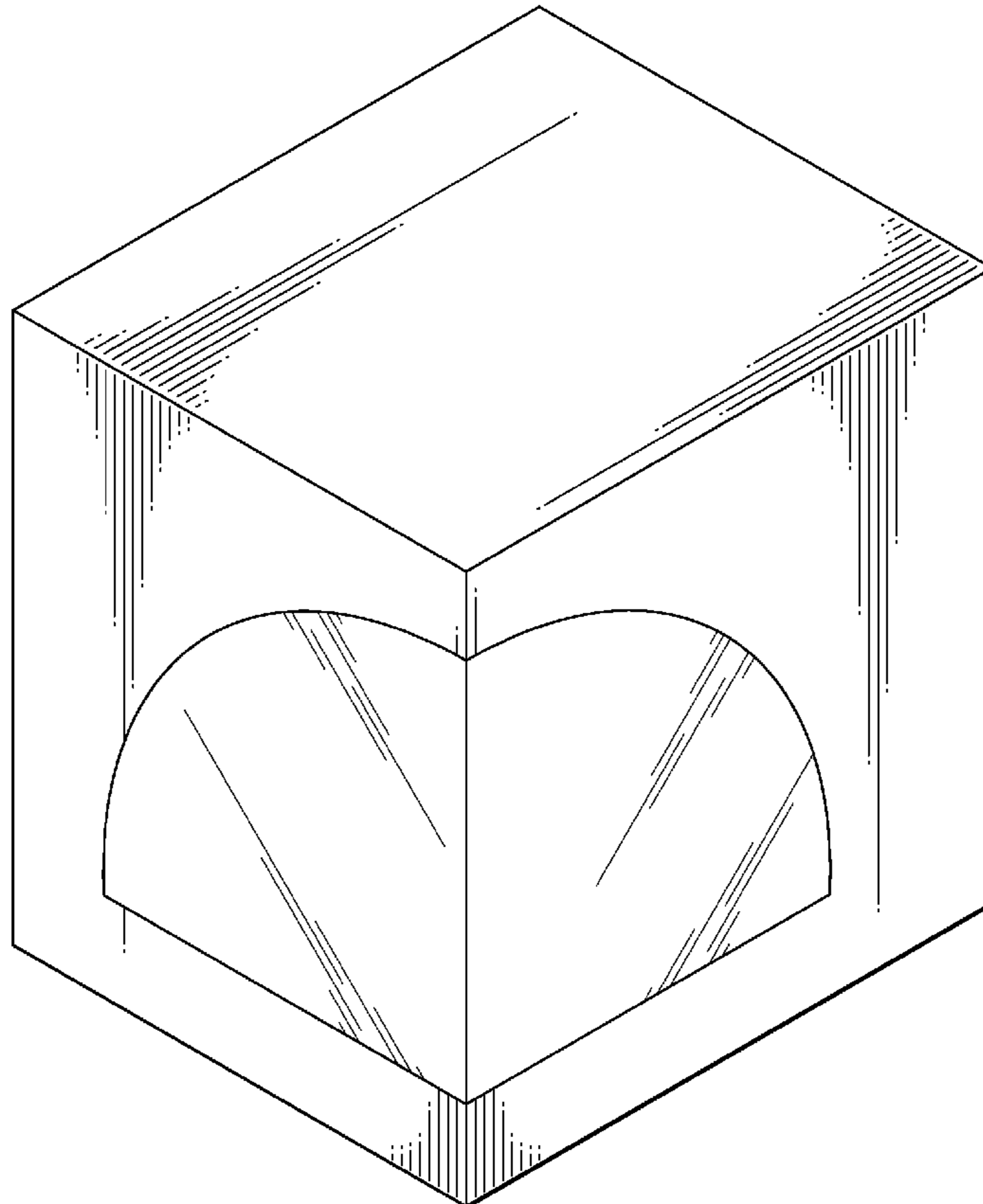
FIG. 4 is a left side elevational view thereof;

FIG. 5 is a rear view thereof;

FIG. 6 is a top view thereof; and,

FIG. 7 is a bottom view thereof.

1 Claim, 4 Drawing Sheets



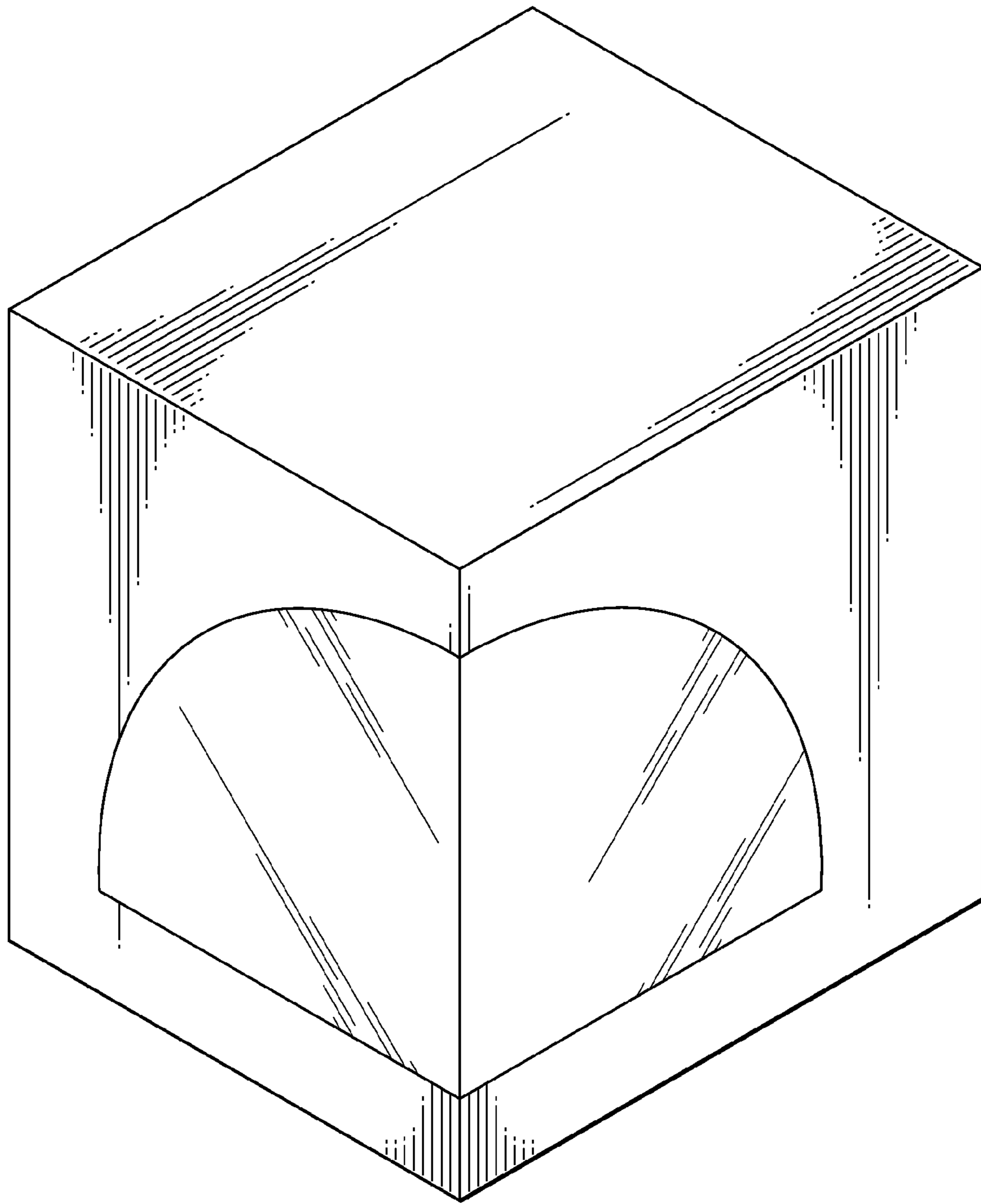


FIG. 1

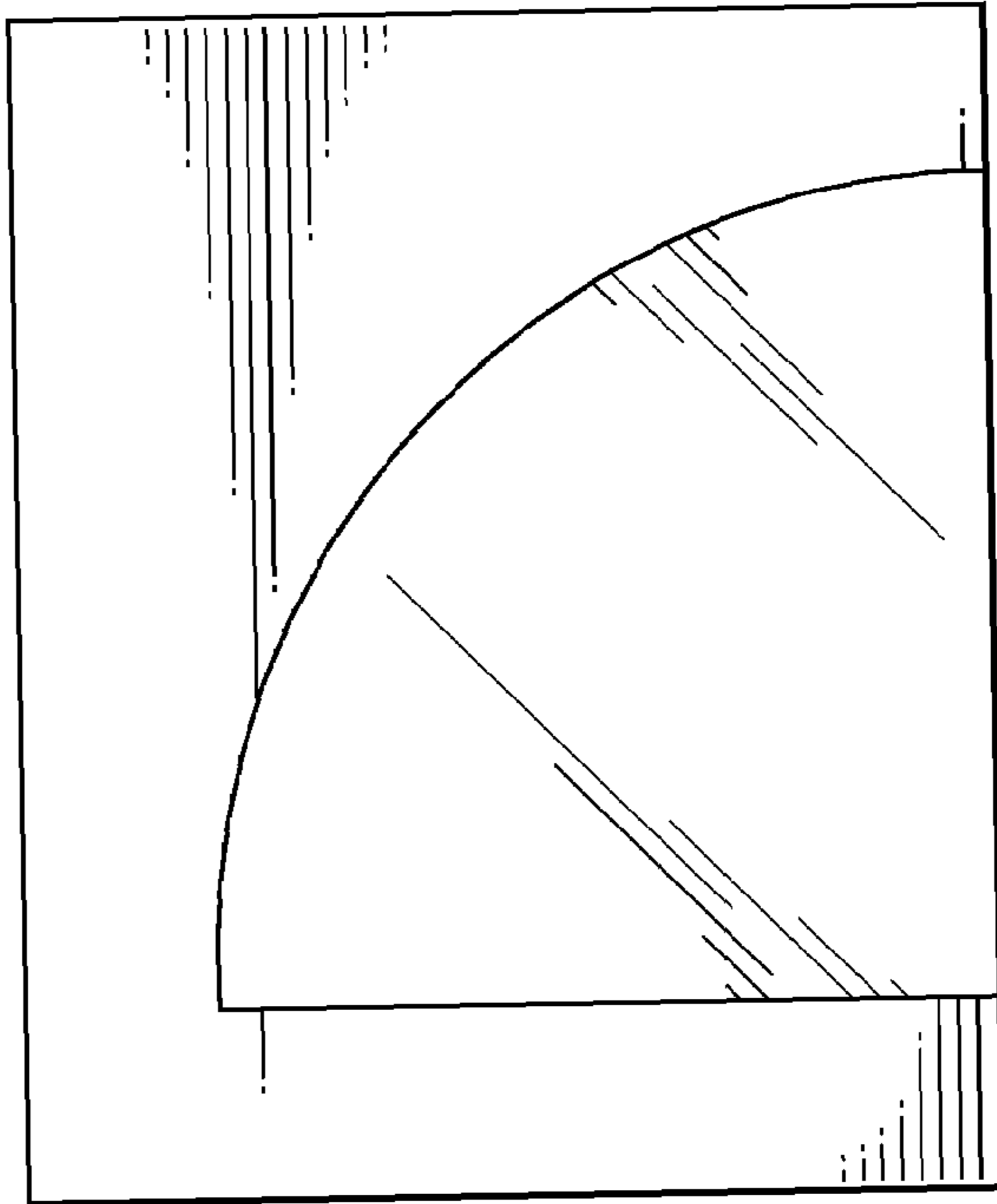


FIG. 2

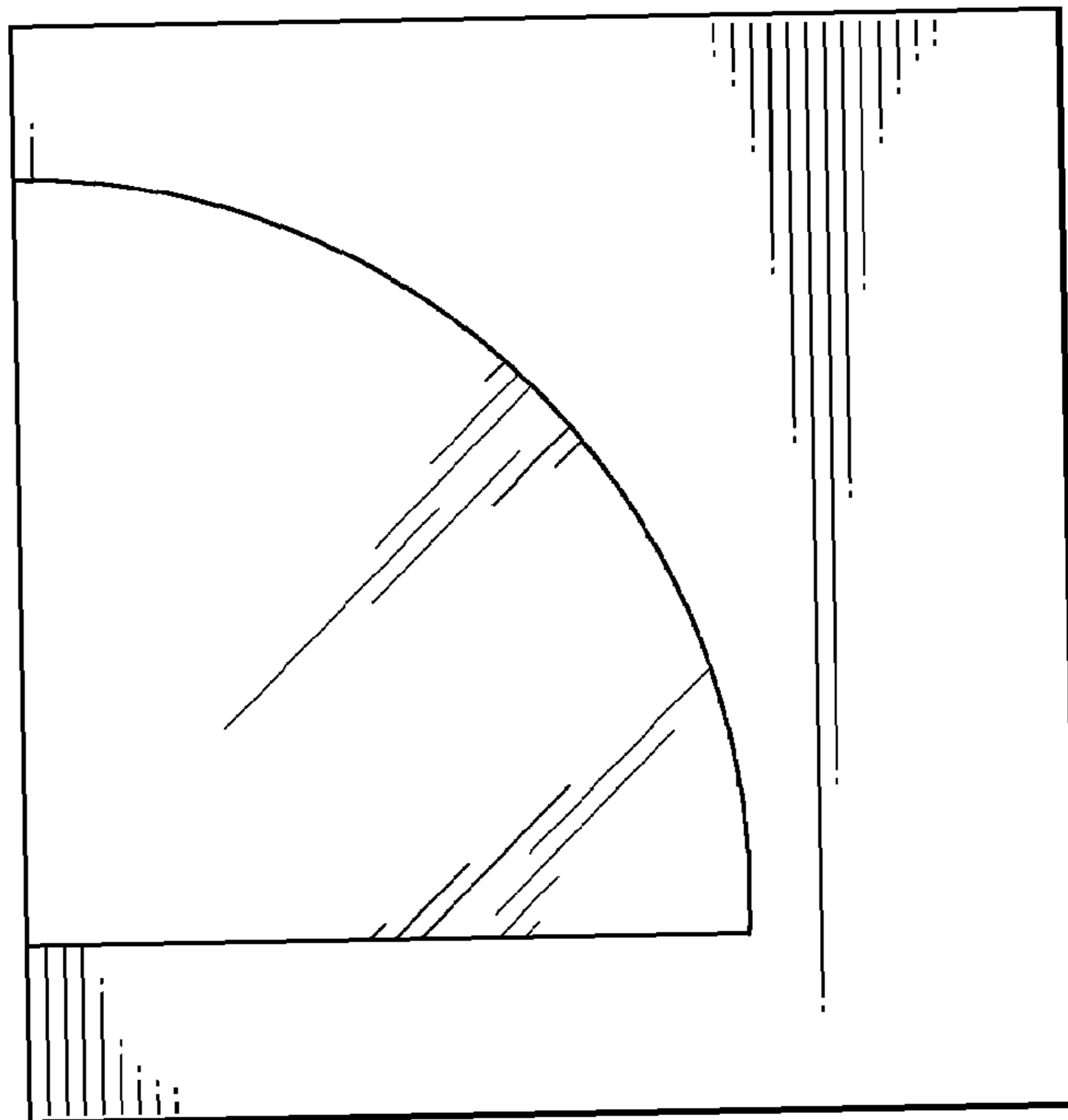


FIG. 3

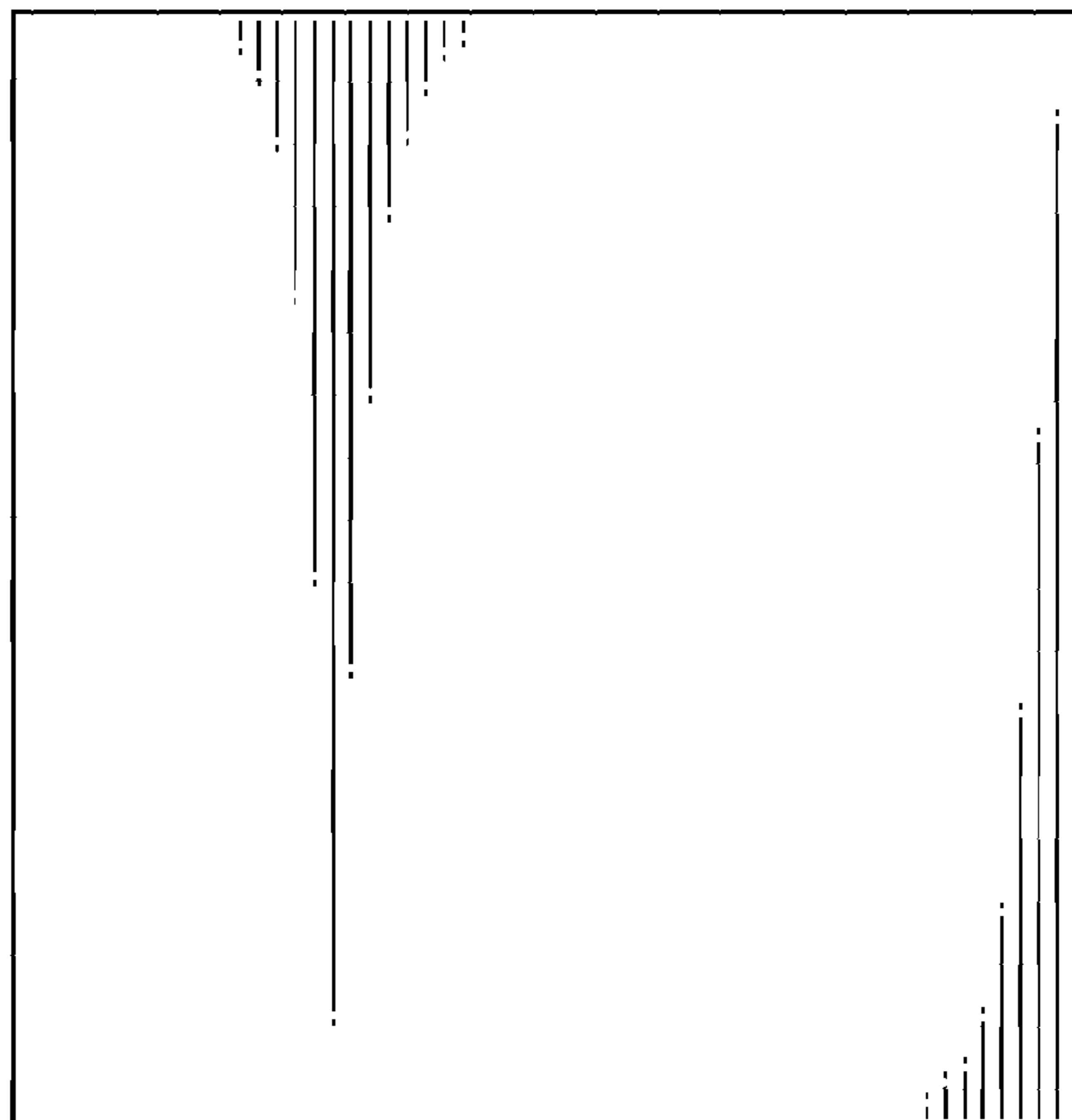


FIG. 4

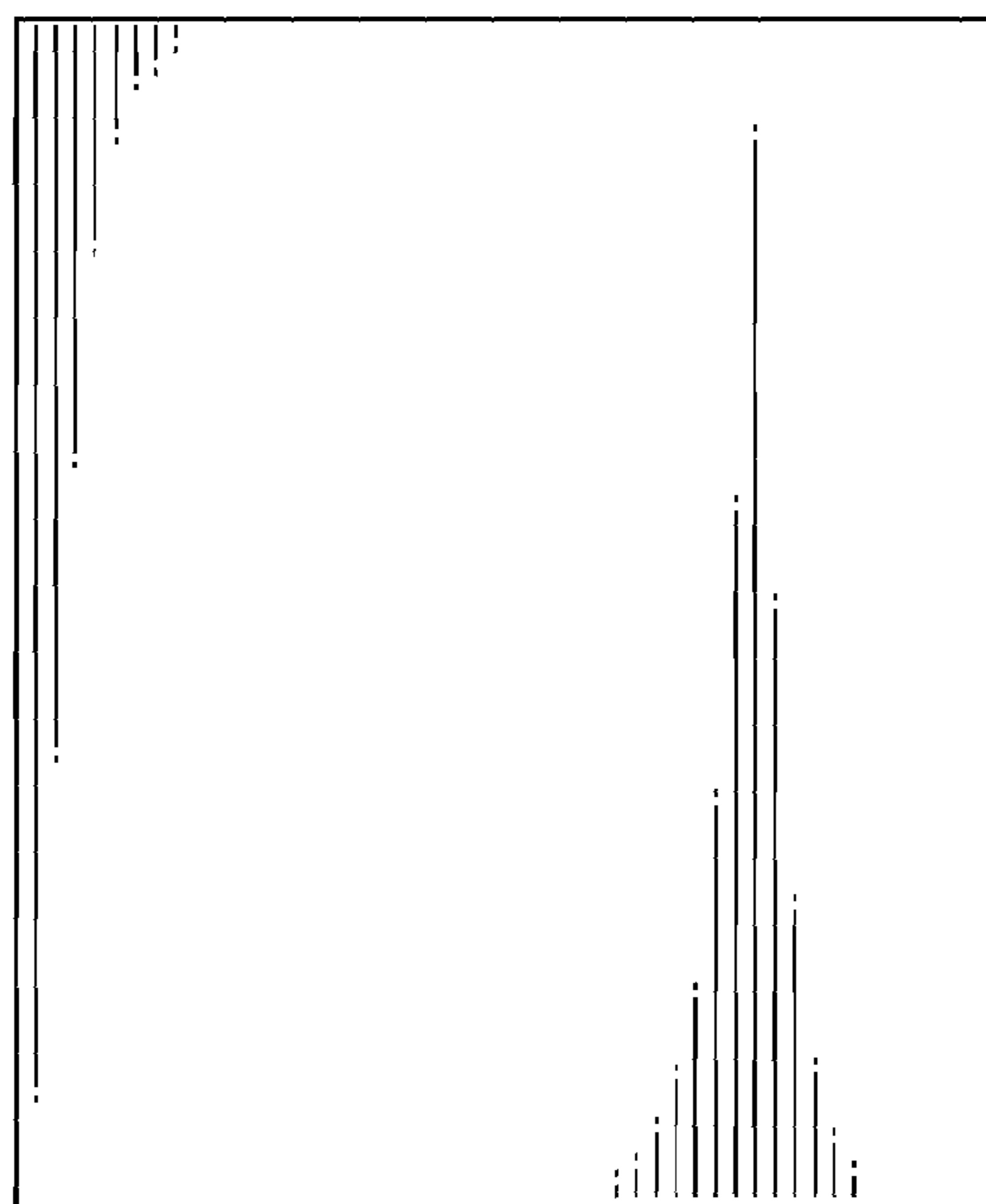


FIG. 5

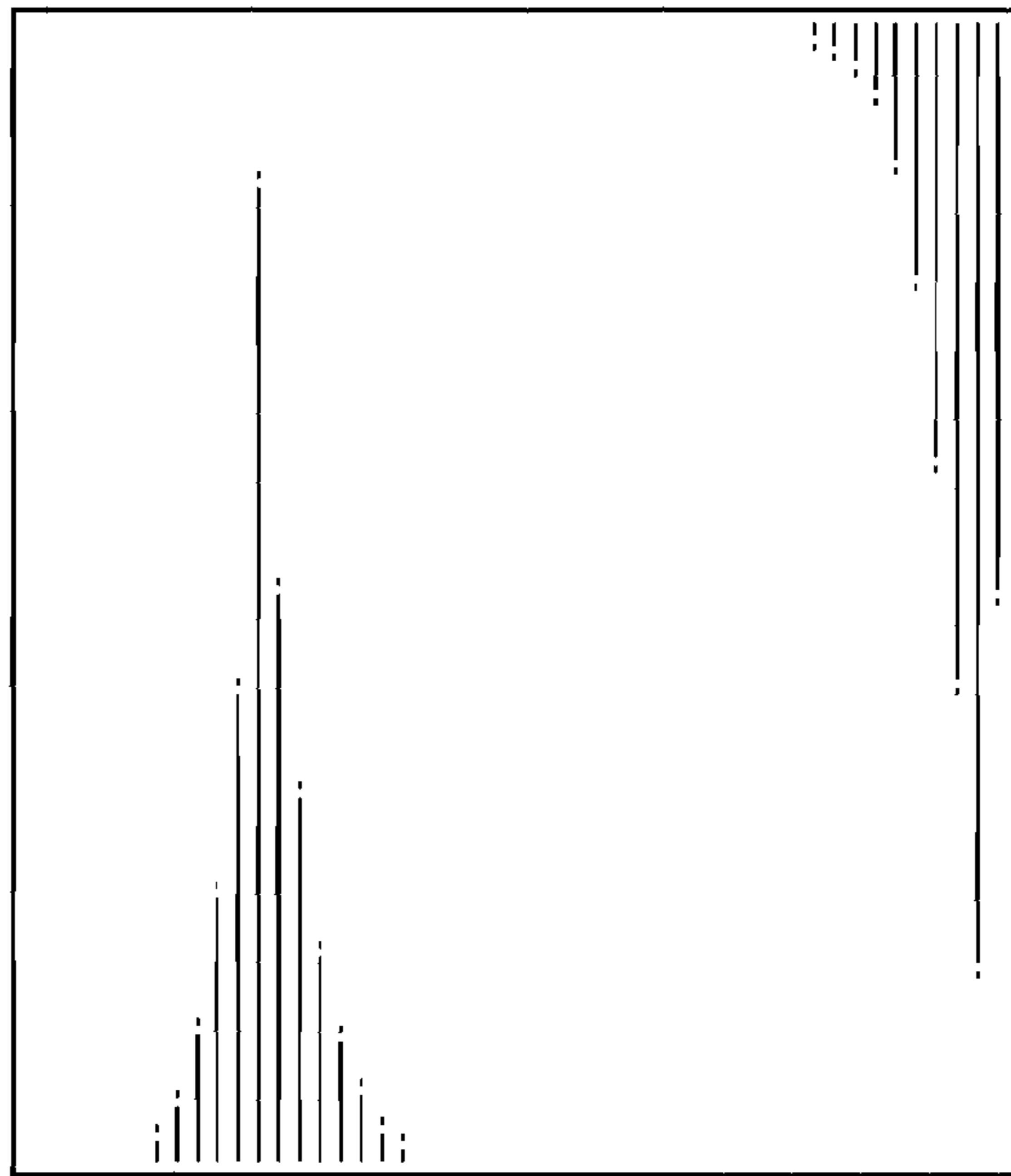


FIG. 6

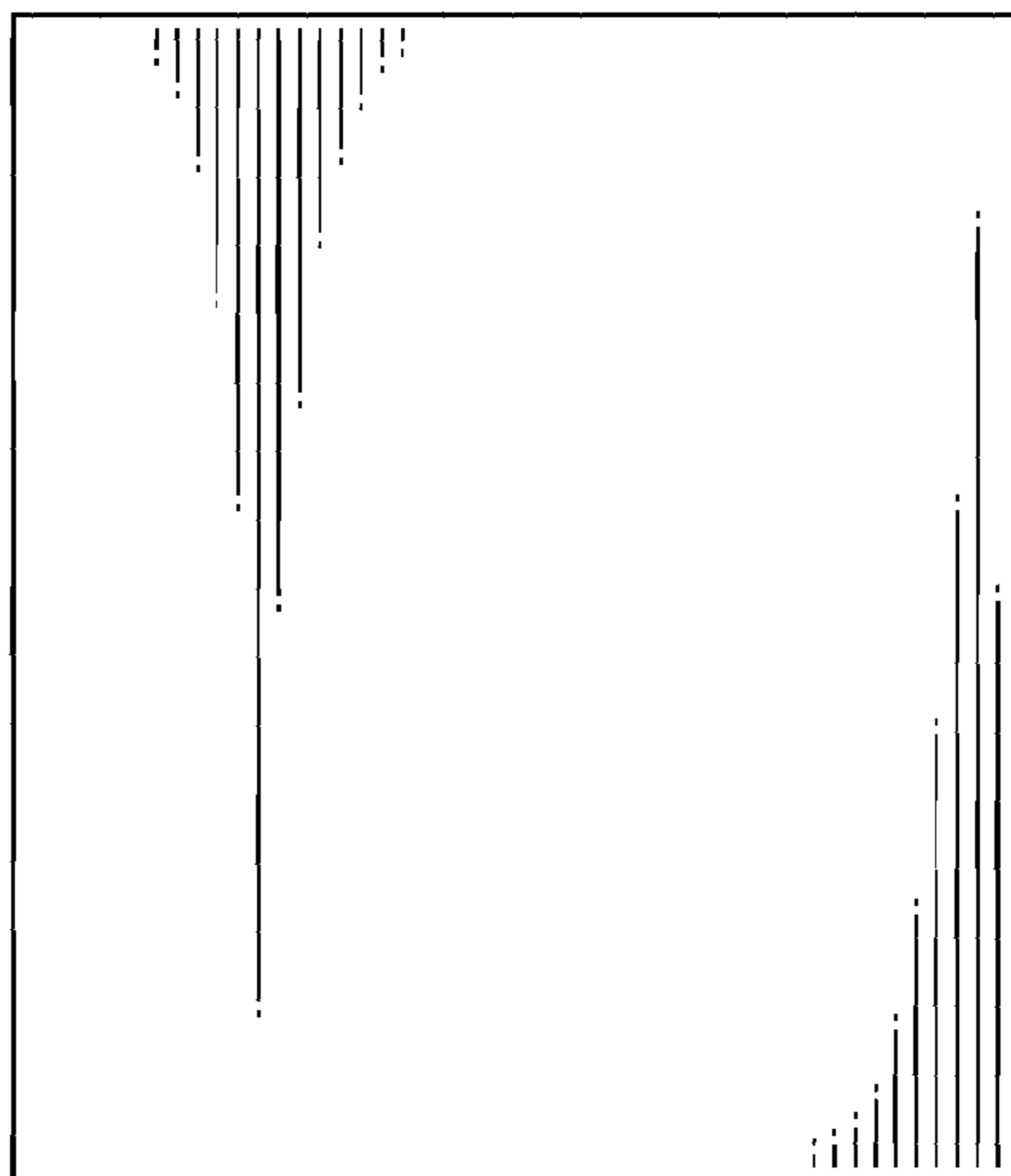


FIG. 7