



US00D600546S

(12) **United States Design Patent**
Scilingo et al.

(10) **Patent No.:** **US D600,546 S**

(45) **Date of Patent:** **** Sep. 22, 2009**

(54) **SWIVEL NUT**

(75) Inventors: **Jeffrey A. Scilingo**, Londonderry, NH (US); **Paul J. Lake**, Waltham, MA (US)

(73) Assignee: **Watts Regulator Company**, North Andover, MA (US)

(**) Term: **14 Years**

(21) Appl. No.: **29/332,357**

(22) Filed: **Feb. 13, 2009**

(51) **LOC (9) Cl.** **08-08**

(52) **U.S. Cl.** **D8/397; D8/399**

(58) **Field of Classification Search** D8/397, D8/399, 394, 382, 349, 8; D15/138; D23/262; 411/432, 108, 353, 404, 410, 919, 147, 957
See application file for complete search history.

(56) **References Cited**

U.S. PATENT DOCUMENTS

D43,713 S *	3/1913	Campbell	D8/397
D44,178 S	6/1913	McMurtrie		
D233,138 S *	10/1974	Vogel	D9/453
D254,802 S	4/1980	Hayes		
D262,940 S	2/1982	Spinner et al.		
D277,454 S *	2/1985	Meinhardt	D8/397
D296,579 S	7/1988	Hattori		
D308,982 S *	7/1990	Moore	D16/132
D311,131 S *	10/1990	Saito	D8/397
D390,923 S *	2/1998	Stevens	D23/262
D397,320 S *	8/1998	Hoagland, IV	D12/197
D420,107 S	2/2000	Kinder		
D479,585 S	9/2003	Mulligan et al.		
D494,056 S *	8/2004	Clendenning	D8/399
6,896,004 B1 *	5/2005	Witzel	138/112

D524,149 S *	7/2006	Kim	D8/397
D551,958 S *	10/2007	Chen et al.	D8/387
D553,716 S *	10/2007	Lockard	D23/259
D558,306 S	12/2007	McCluskey et al.		
D568,149 S *	5/2008	Riedel	D8/397
D568,969 S	5/2008	Bucchi et al.		
D582,763 S	12/2008	Riedel et al.		

OTHER PUBLICATIONS

Watts, "Series CTC-P Flexible Reinforced PVC Water Supply Connectors for Toilets"; Specifications, 2005.

* cited by examiner

Primary Examiner—Robert M Spear

Assistant Examiner—Cynthia Underwood

(74) *Attorney, Agent, or Firm*—Edwards Angell Palmer & Dodge LLP; George N. Chaclas

(57) **CLAIM**

The ornamental design for a swivel nut, as shown and described.

DESCRIPTION

FIG. 1 is a first perspective view of the design for a swivel nut; FIG. 2 is a second perspective view of the swivel nut of FIG. 1;

FIG. 3 is a first side view of the swivel nut of FIG. 1;

FIG. 4 is a second side view of the swivel nut of FIG. 1;

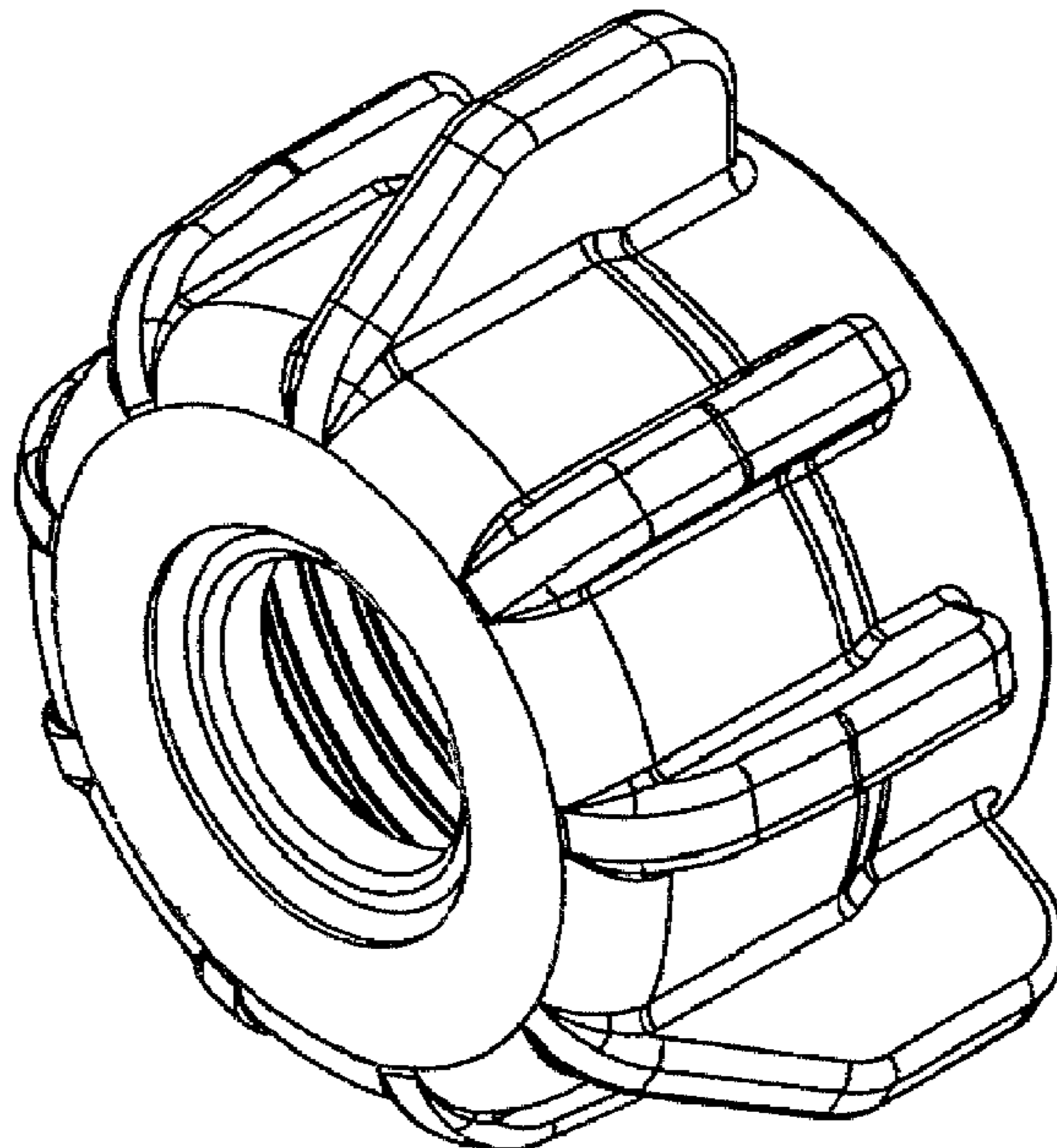
FIG. 5 is a third side view of the swivel nut of FIG. 1;

FIG. 6 is a bottom view of the swivel nut of FIG. 1; and,

FIG. 7 is a top view of the swivel nut of FIG. 1.

In the drawings, the broken lines form the boundaries of the unclaimed area of the swivel nut.

1 Claim, 7 Drawing Sheets



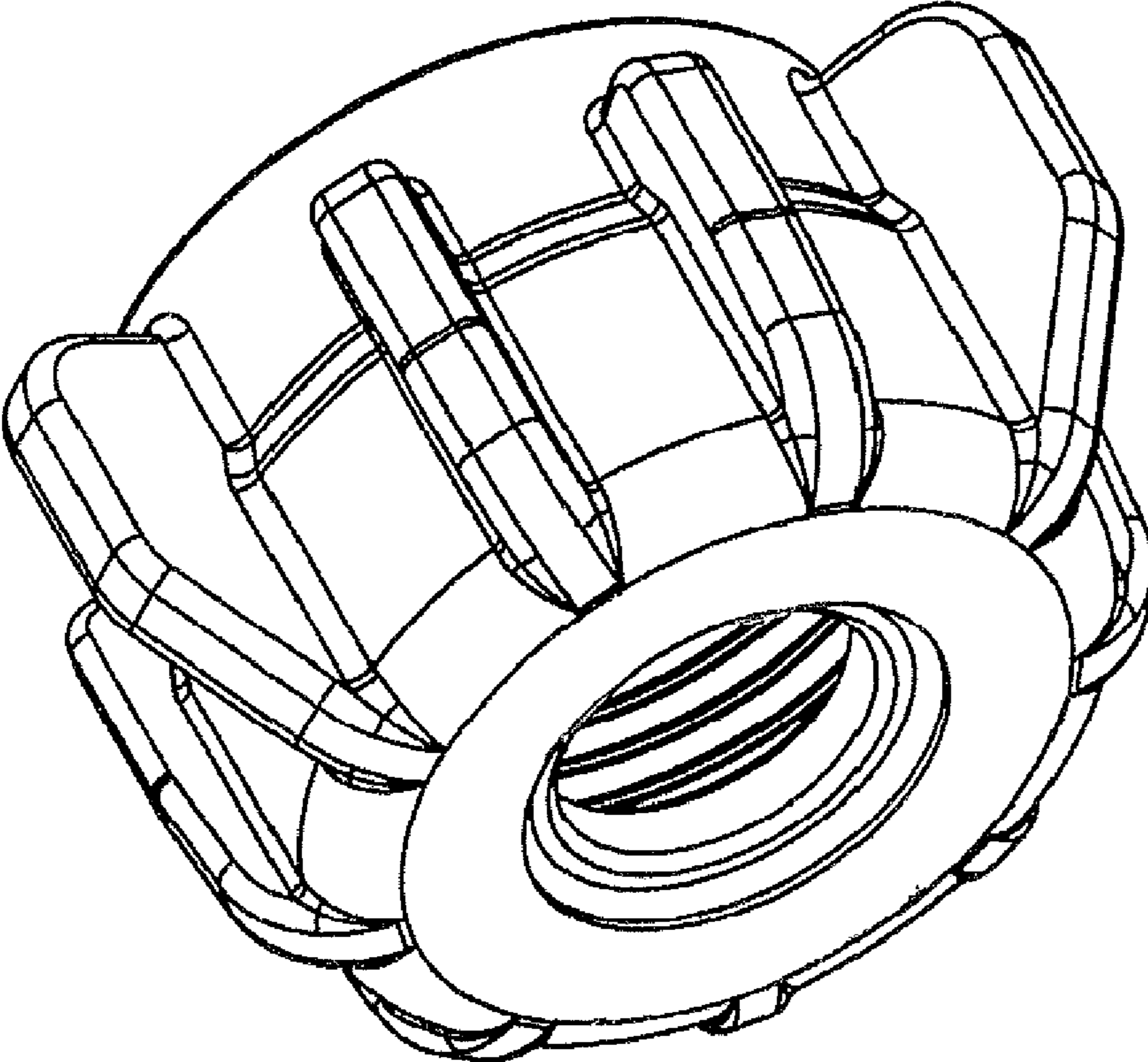


FIG. 1

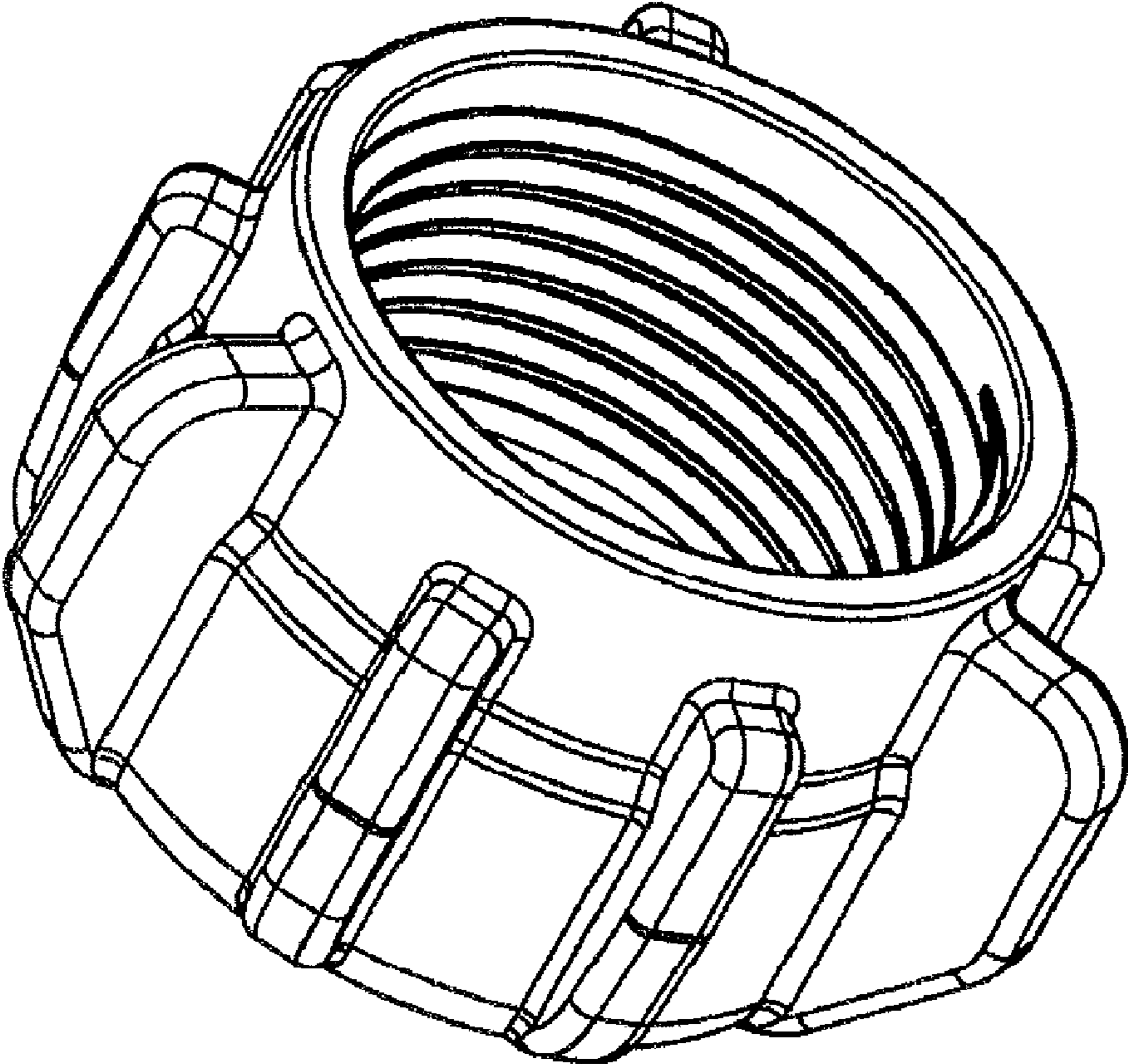


FIG. 2

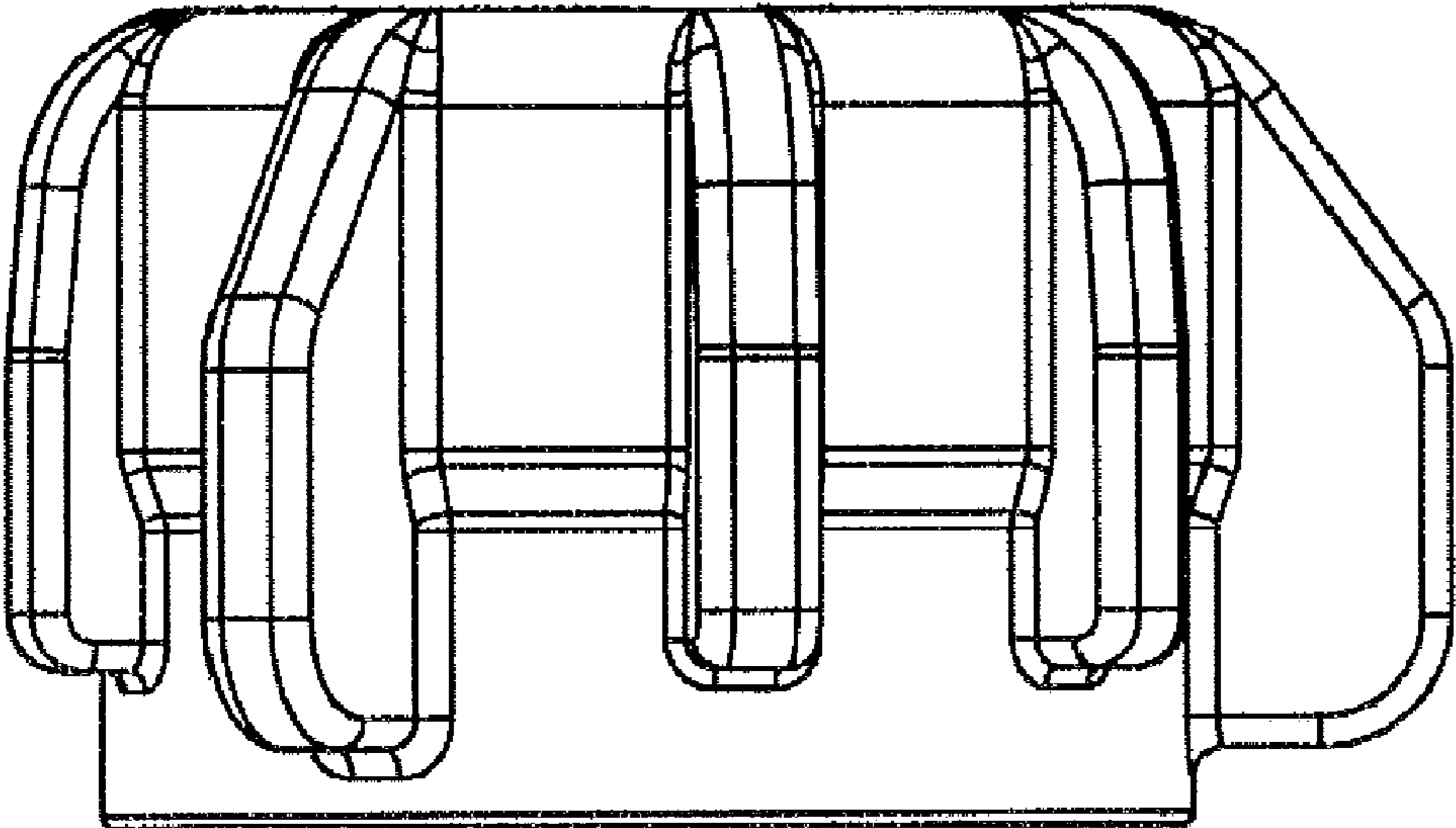


FIG. 3

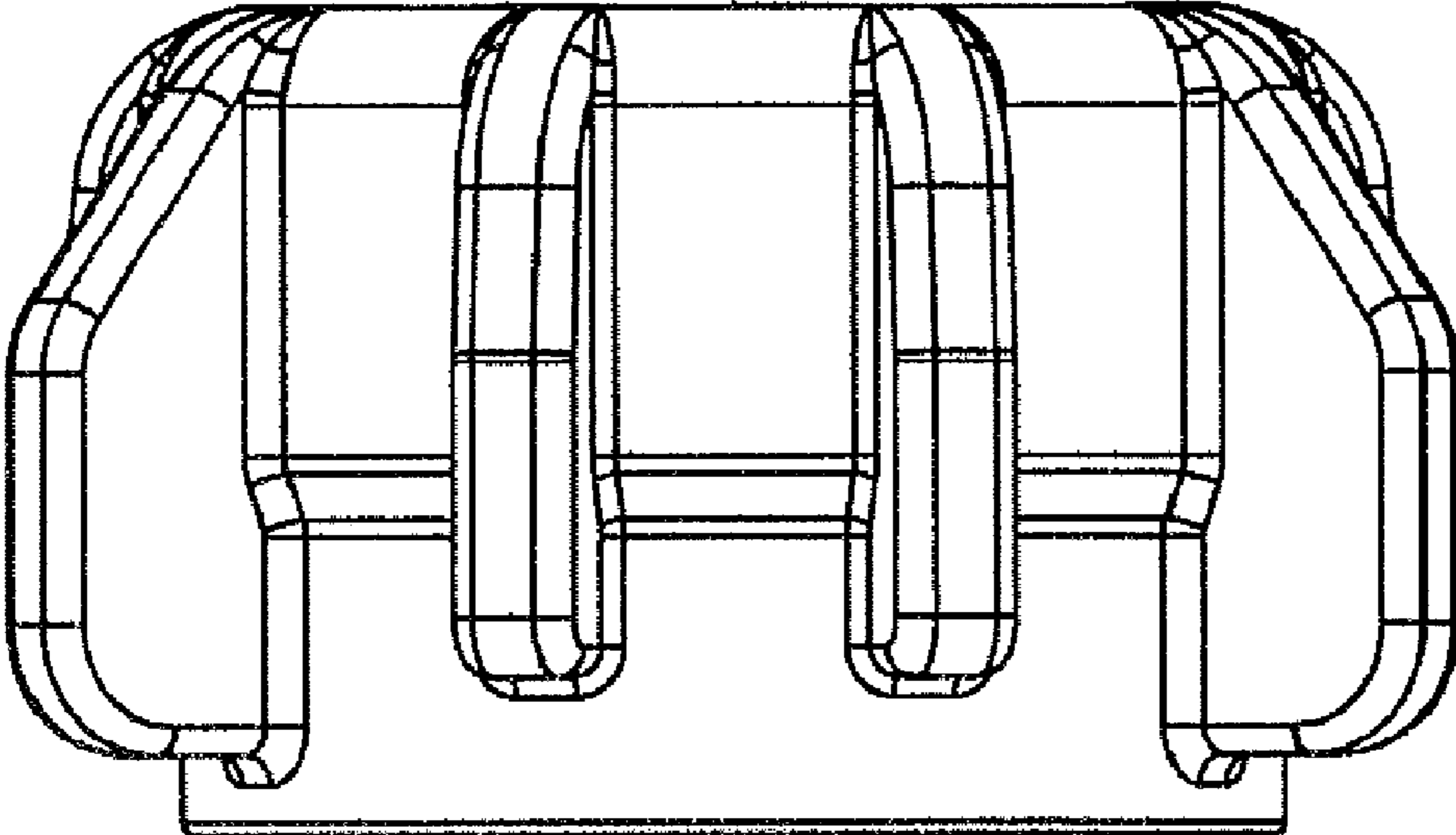


FIG. 4

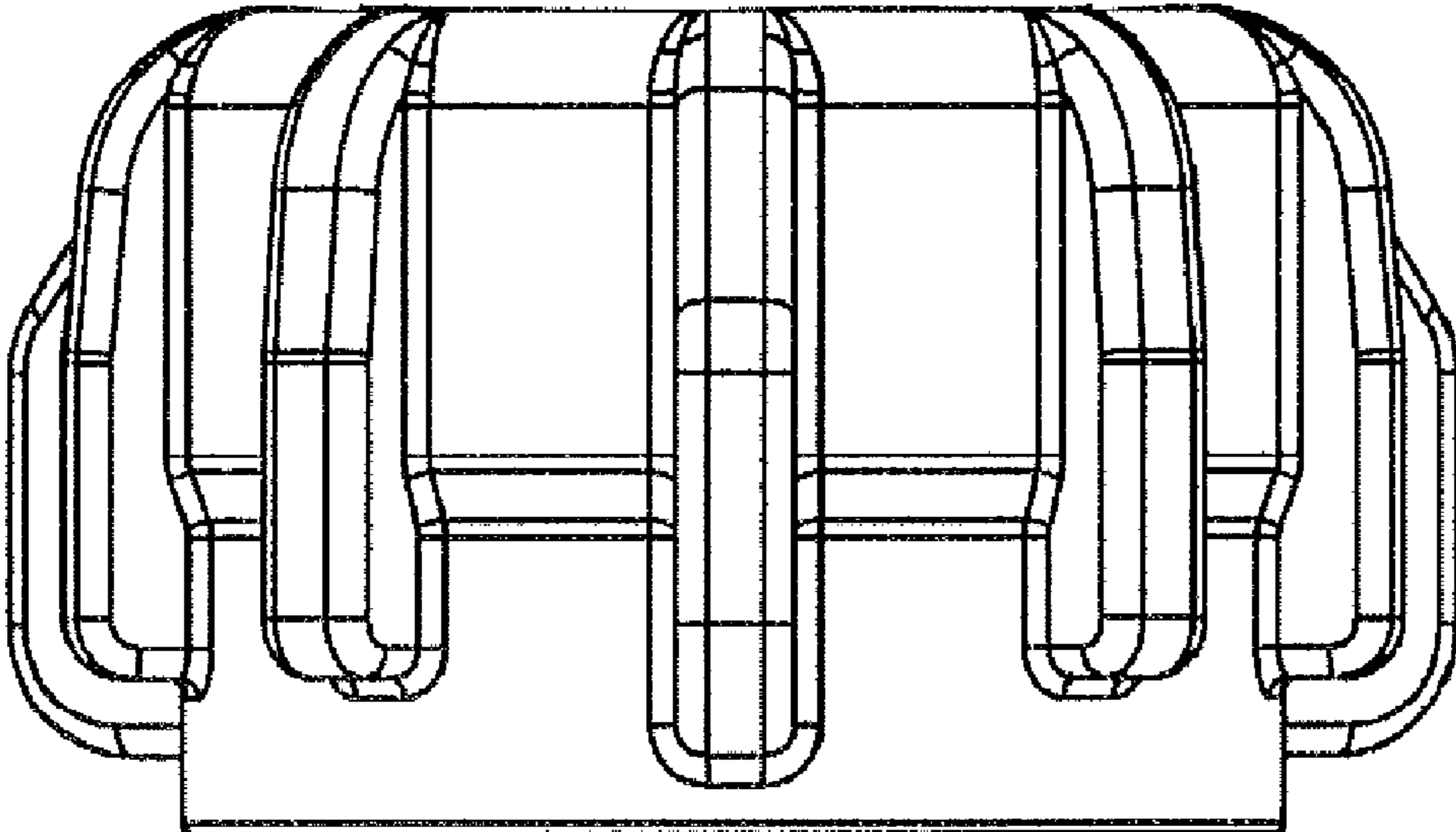


FIG. 5

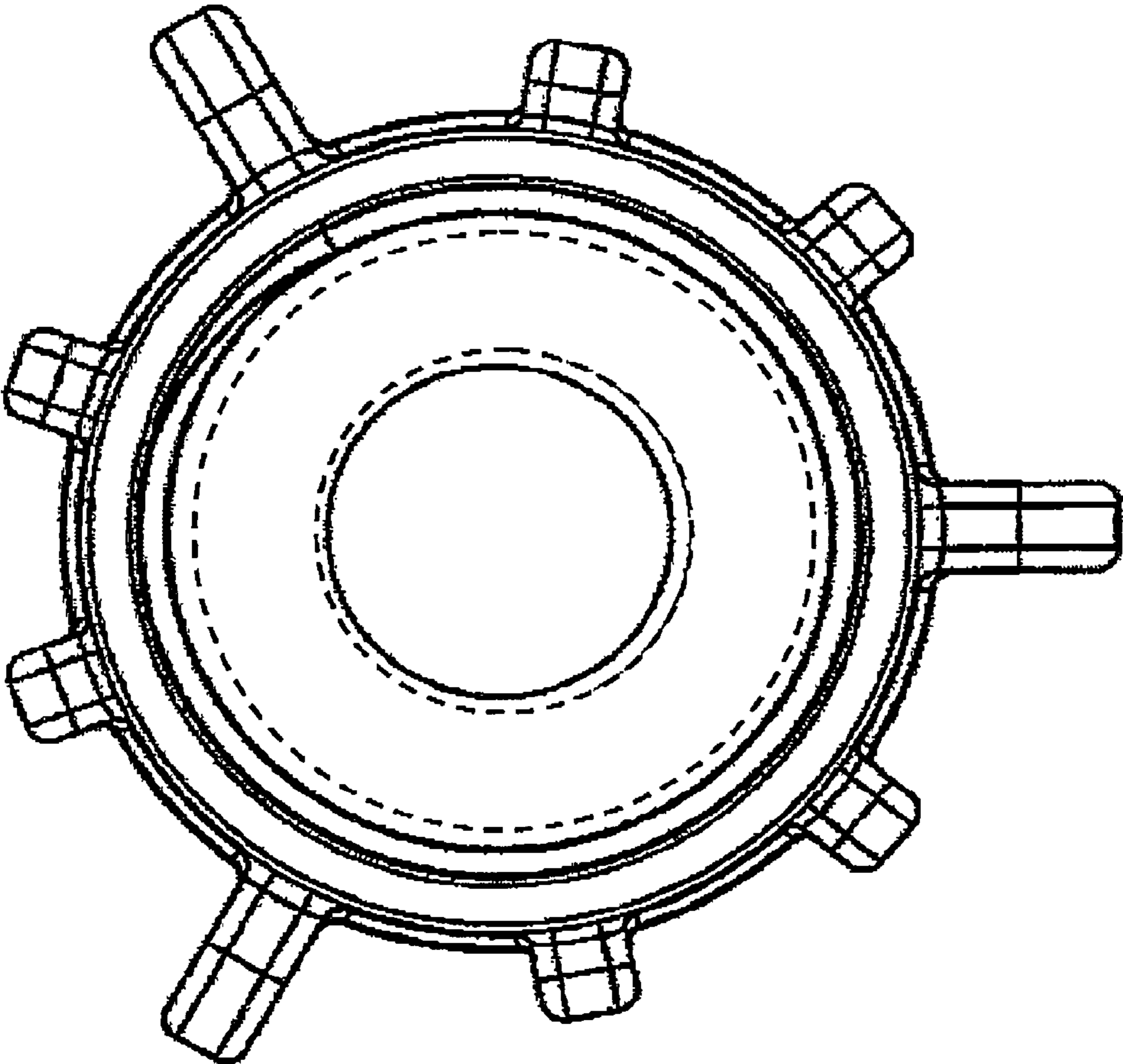


FIG. 6

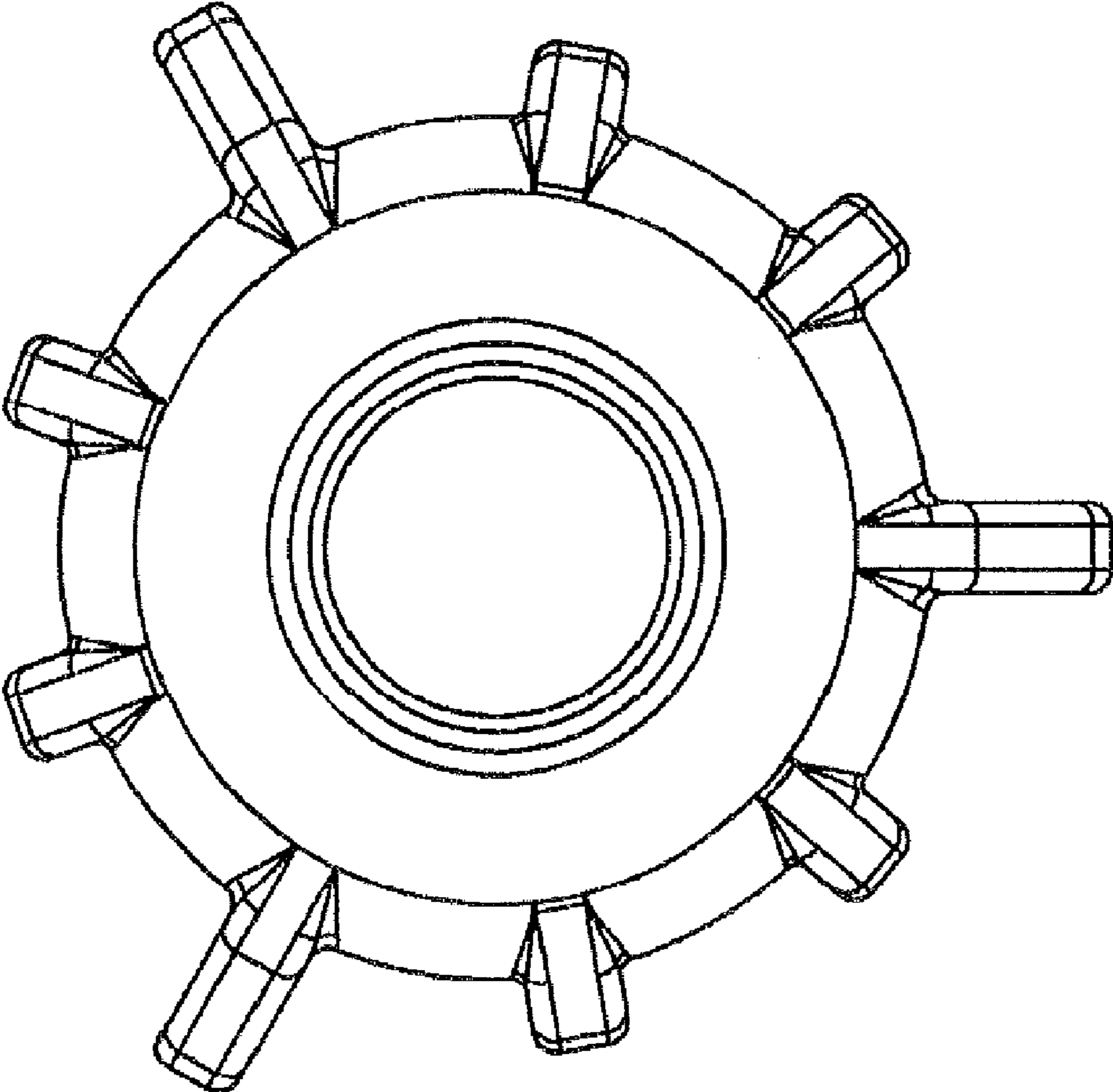


FIG. 7