



US00D600545S

(12) **United States Design Patent**  
**Quach**

(10) **Patent No.:** **US D600,545 S**

(45) **Date of Patent:** **\*\* Sep. 22, 2009**

(54) **BELT CLIP**

(76) **Inventor:** **Trung Quach**, 17909 - 122nd Street Ct.  
East, Bonney Lake, WA (US) 98391

(\*\*) **Term:** **14 Years**

(21) **Appl. No.:** **29/330,255**

(22) **Filed:** **Jan. 2, 2009**

(51) **LOC (9) Cl.** ..... **08-08**

(52) **U.S. Cl.** ..... **D8/395; D3/215**

(58) **Field of Classification Search** ..... D8/356,  
D8/371, 394-396; 24/570; 248/74.2, 215,  
248/227.1, 49, 300, 301, 316.7, 51, 489;  
D19/65, 56; D3/215, 218

See application file for complete search history.

(56) **References Cited**

**U.S. PATENT DOCUMENTS**

D206,426 S *	12/1966	Wise	.....	D6/526
D210,638 S *	3/1968	Greenfield	.....	D8/71
D214,383 S *	6/1969	Johnson	.....	D8/371
D254,069 S *	1/1980	Haley	.....	D14/253
D300,406 S *	3/1989	Bordian	.....	D8/367
D311,672 S *	10/1990	Johnson	.....	D8/71

D387,268 S *	12/1997	Wilkening et al.	.....	D8/372
D417,185 S	11/1999	Marks	.....	D12/411
D424,413 S *	5/2000	Laga et al.	.....	D8/372
D555,896 S *	11/2007	Ward-Llewellyn	.....	D3/215
D557,120 S *	12/2007	Snell	.....	D8/372
D567,560 S *	4/2008	Byers	.....	D6/553

\* cited by examiner

*Primary Examiner*—T. Chase Nelson

*Assistant Examiner*—John Windmuller

(74) *Attorney, Agent, or Firm*—Dean A. Craine

(57) **CLAIM**

The ornamental design for a belt clip, as shown and described.

**DESCRIPTION**

FIG. 1 is a perspective view of the belt clip.

FIG. 2 is a front elevational view of the belt clip.

FIG. 3 is a right side elevational view of the belt clip.

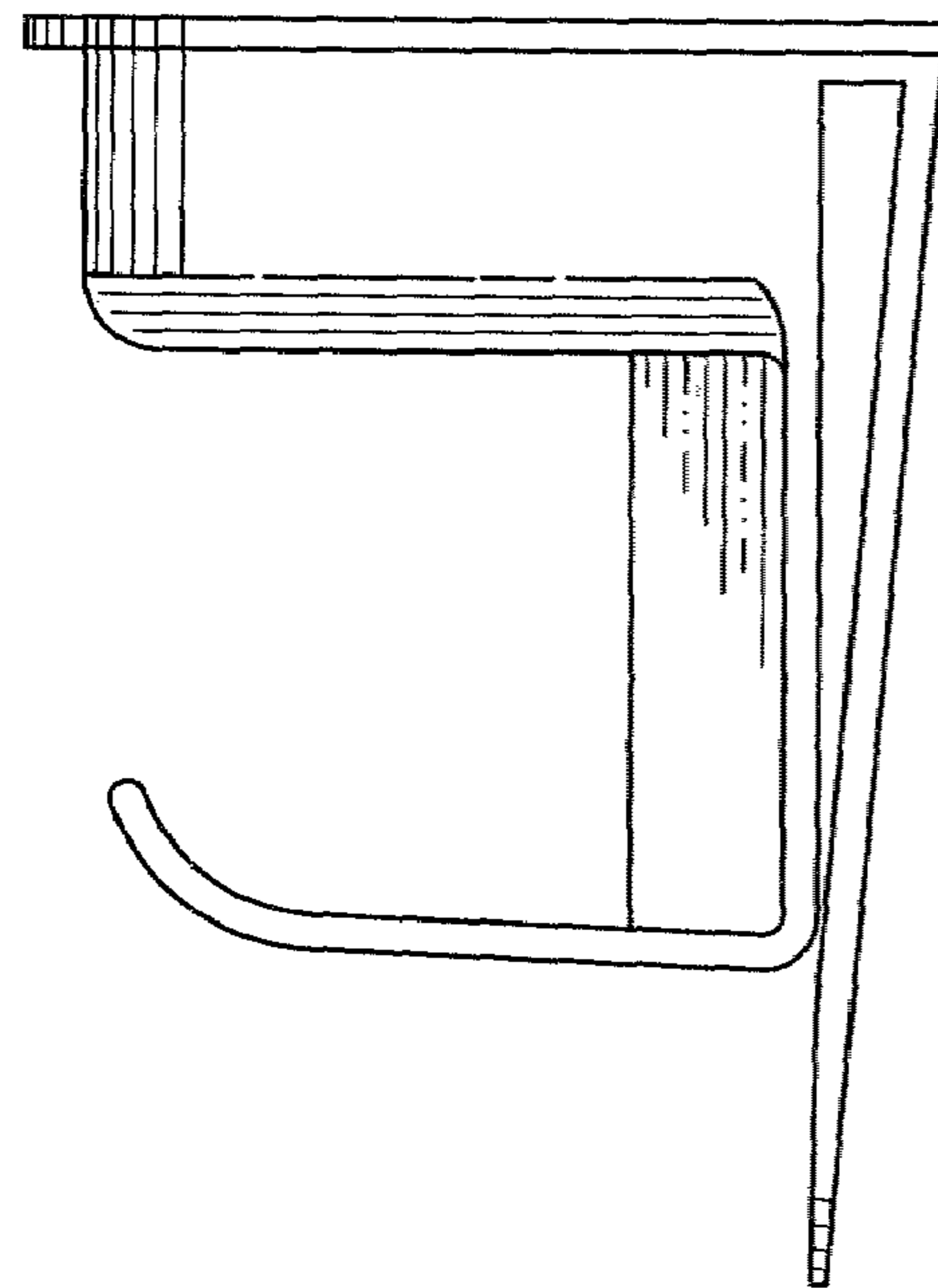
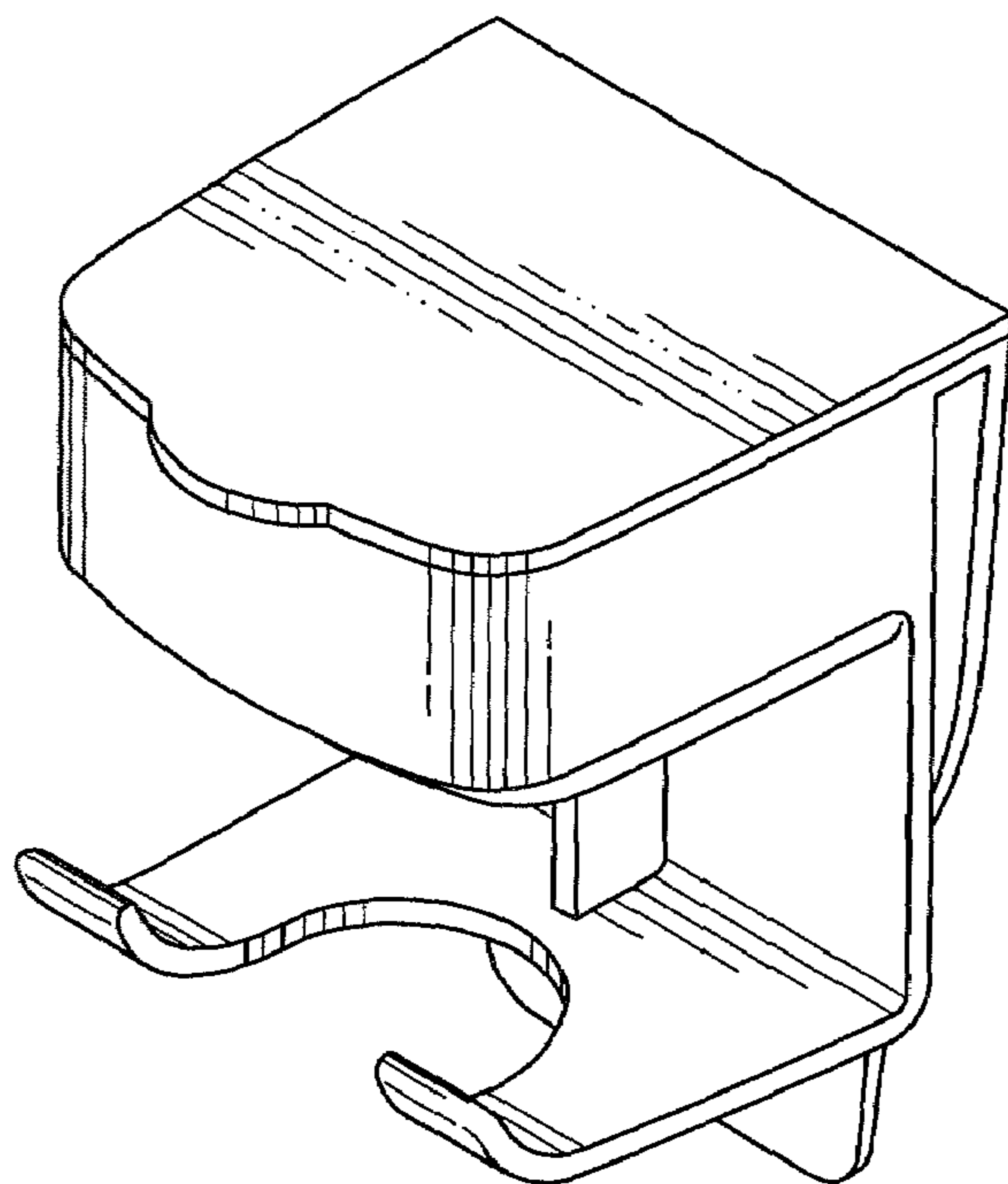
FIG. 4 is a rear elevational view of the belt clip.

FIG. 5 is a left side elevational view of the belt clip.

FIG. 6 is a top plan view of the belt clip; and,

FIG. 7 is a bottom plan view of the belt clip.

**1 Claim, 2 Drawing Sheets**



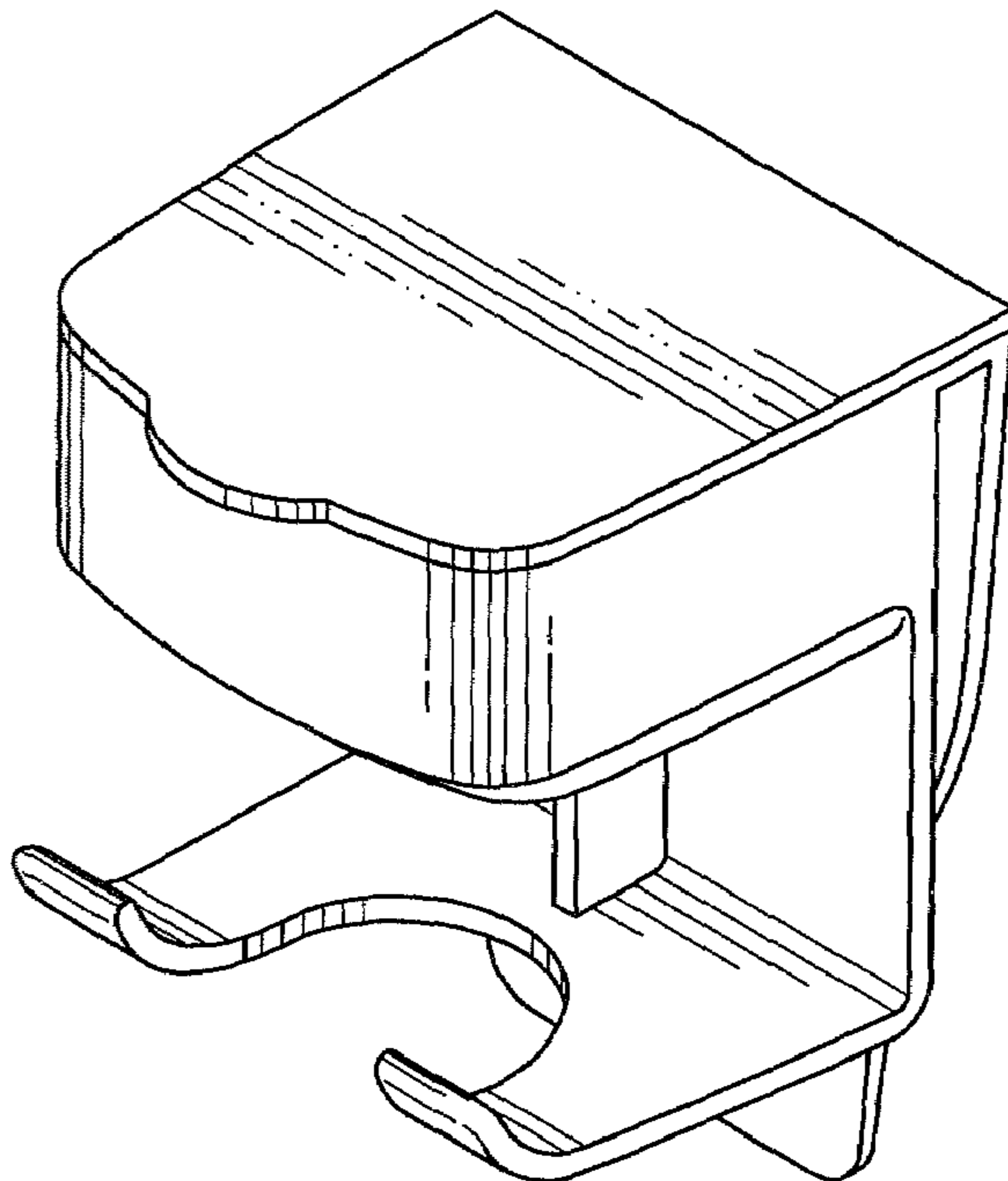


Fig. 1

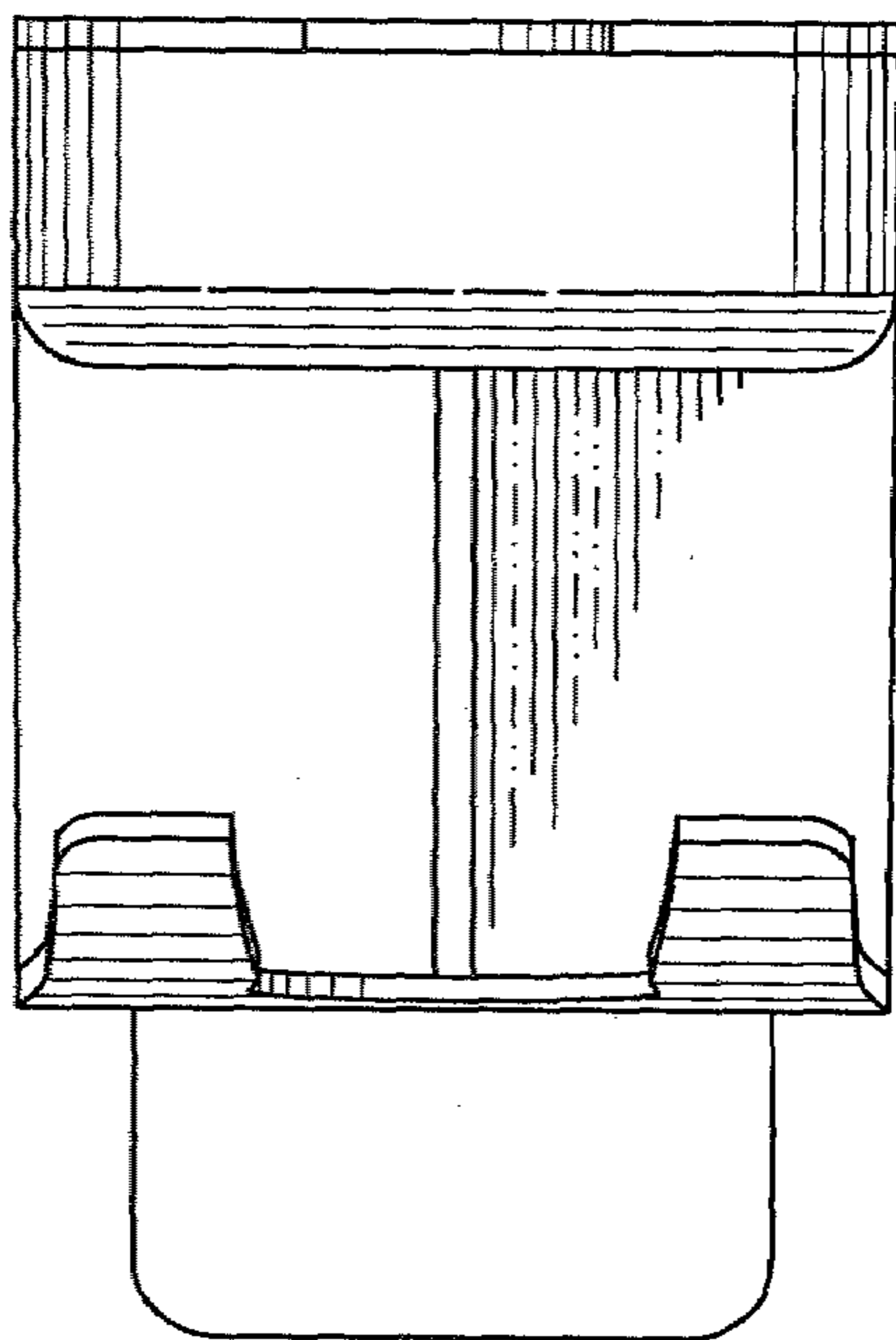


Fig. 2

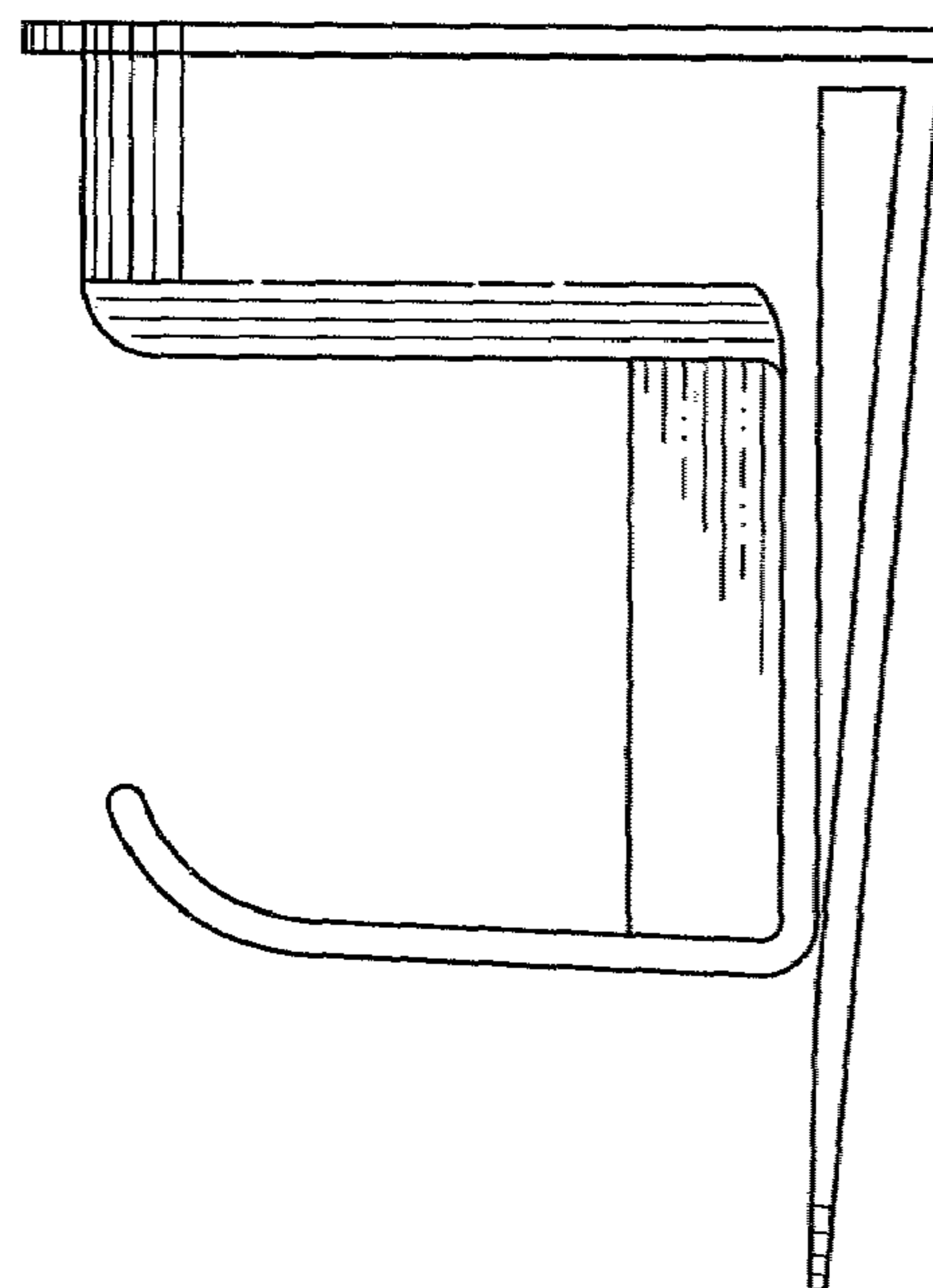


Fig. 3

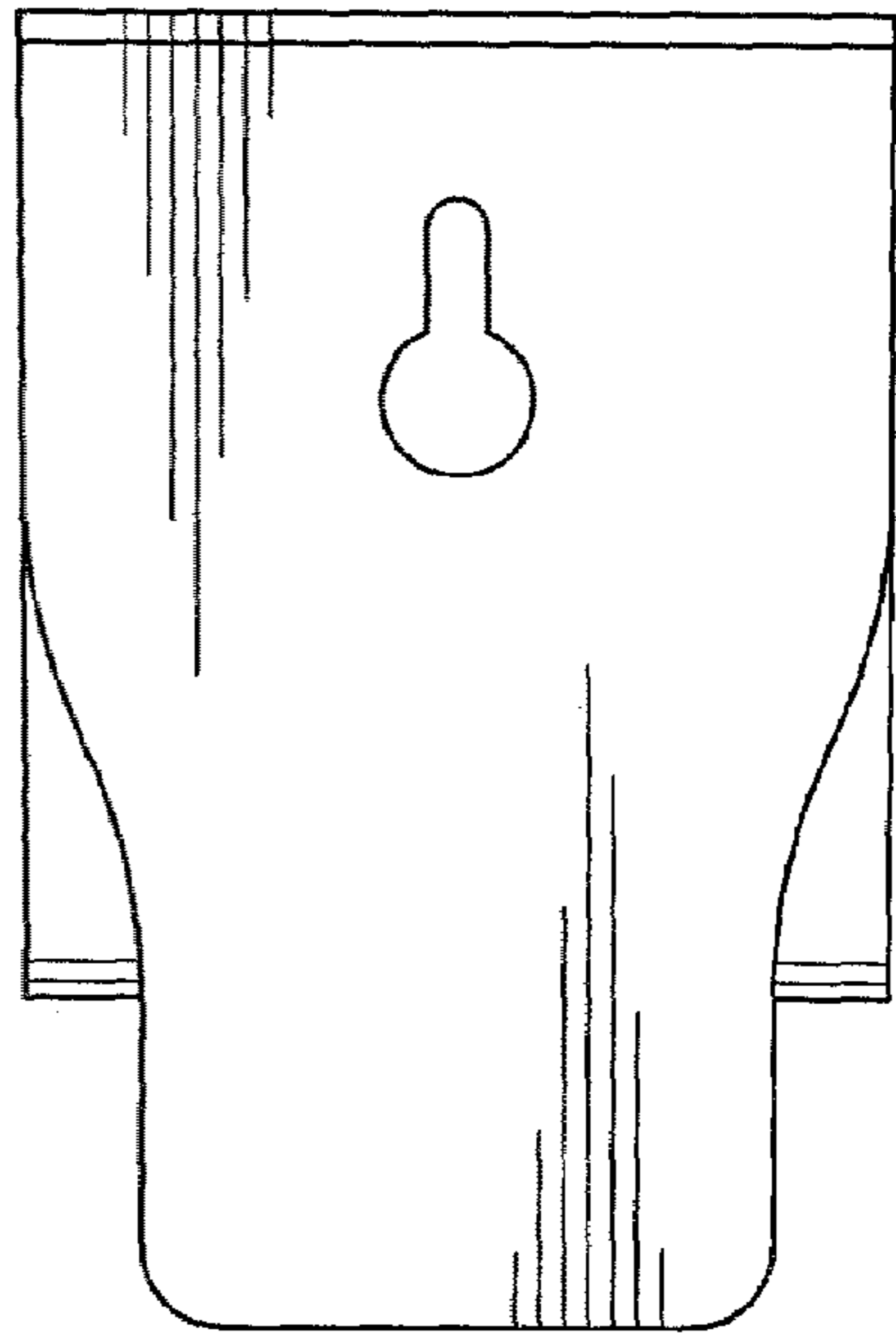


Fig. 4

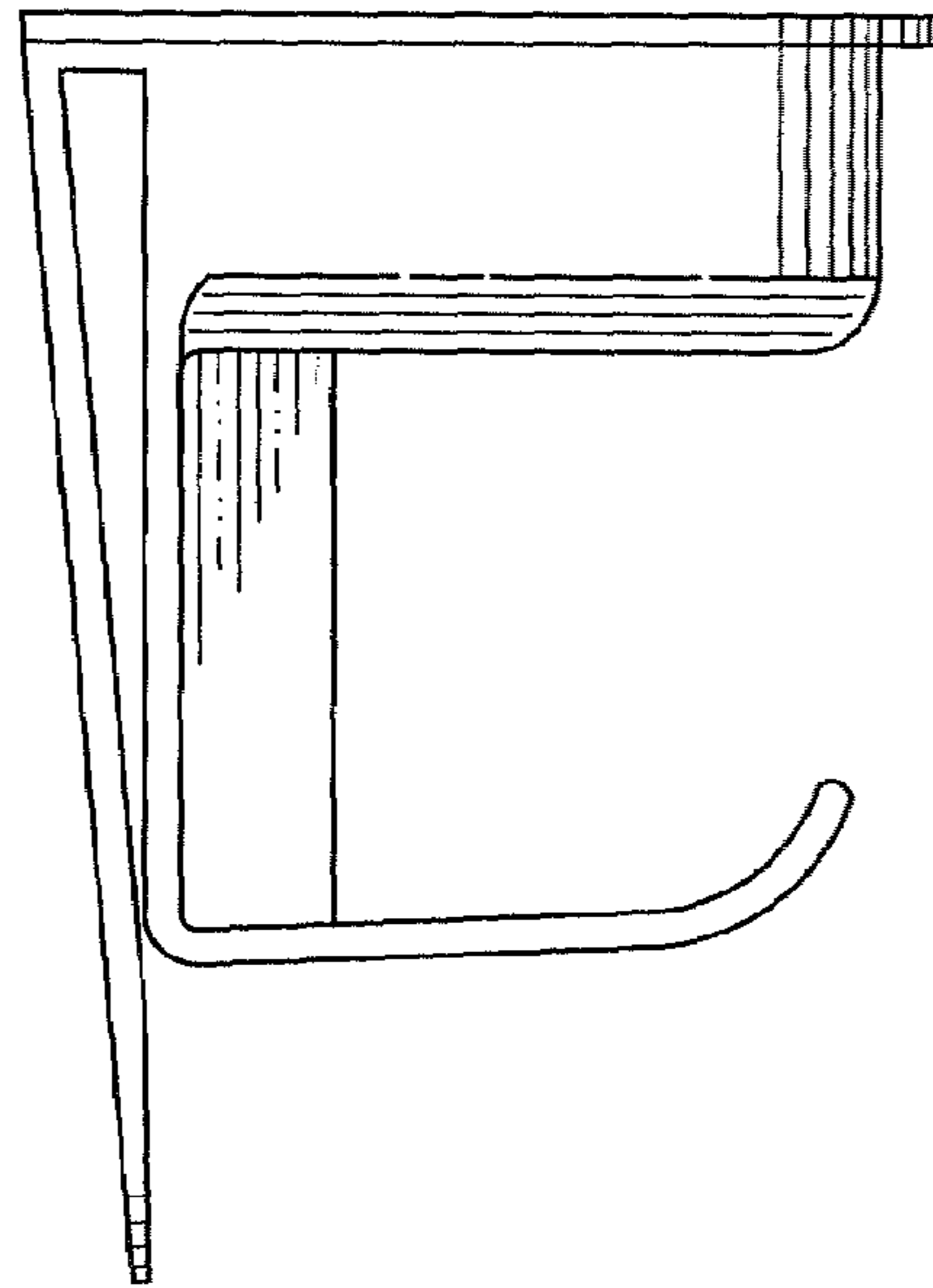


Fig. 5

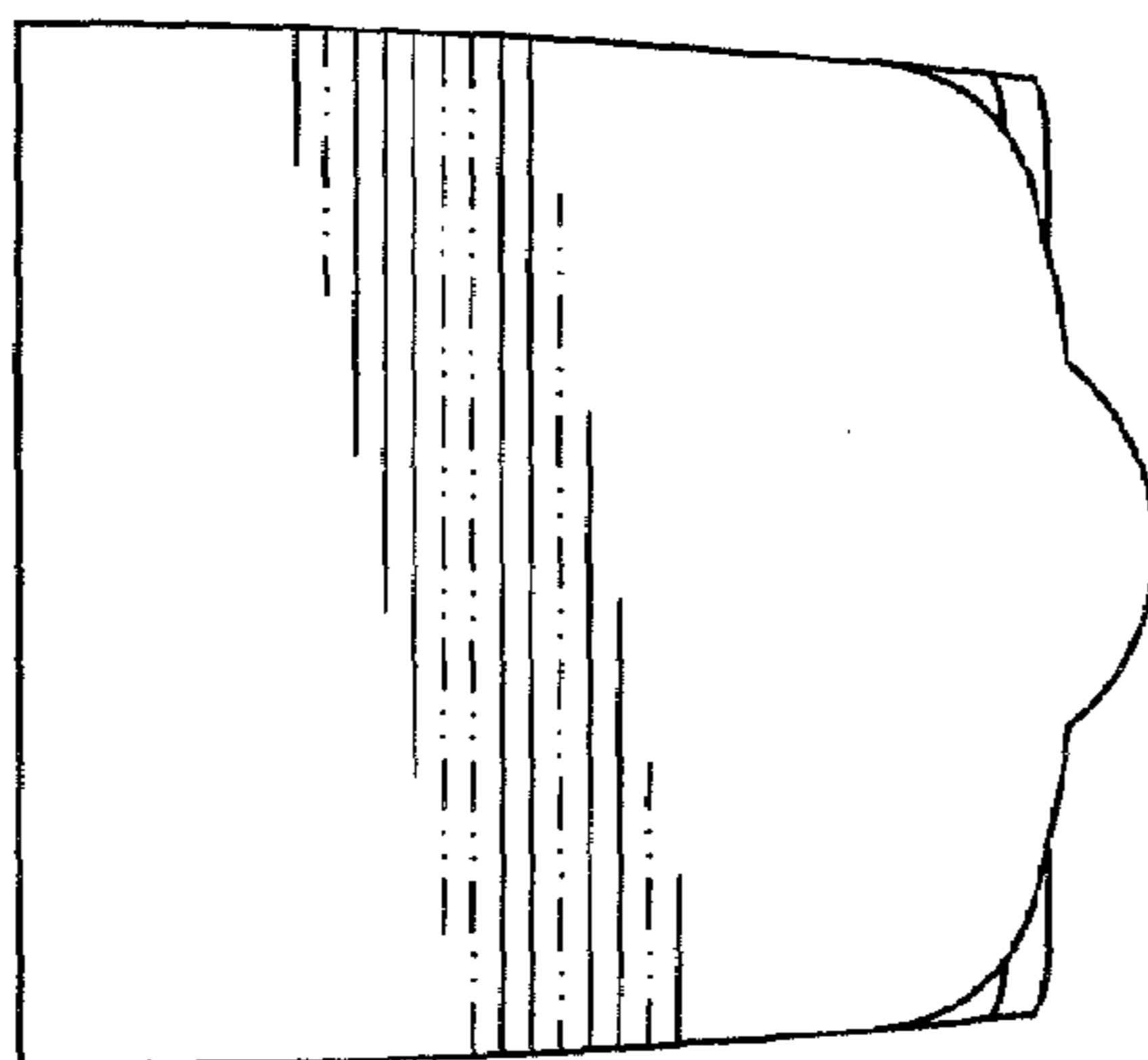


Fig. 6

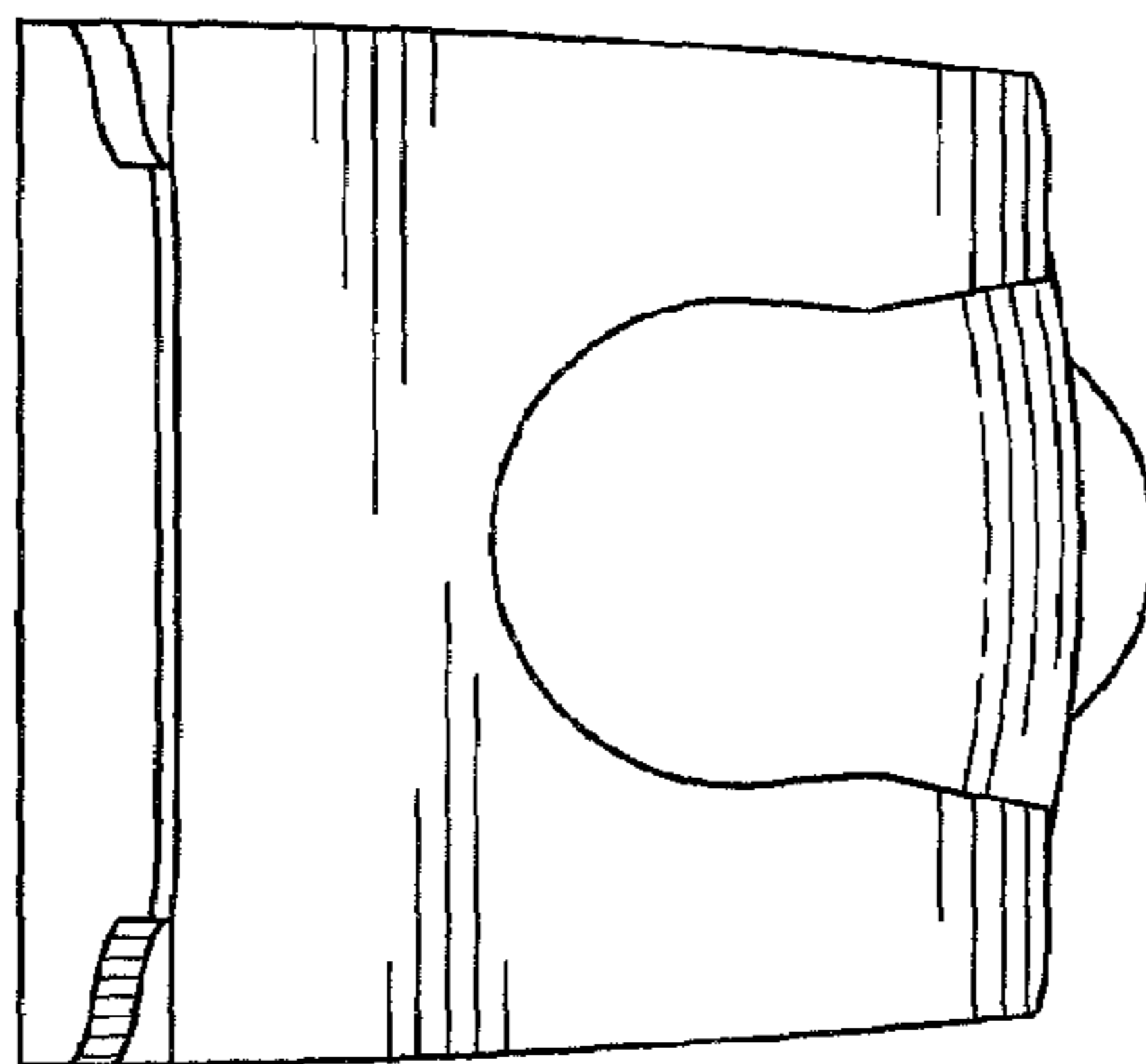


Fig. 7