



US00D600543S

(12) **United States Design Patent**
Coles

(10) **Patent No.:** **US D600,543 S**
(45) **Date of Patent:** **** Sep. 22, 2009**

(54) **CLIP FOR INSTALLING FIBER CEMENT BOARD SIDING**

D338,048 S * 8/1993 Finley D21/796
6,378,828 B1 * 4/2002 Valiulis et al. 248/231.81
D497,183 S * 10/2004 Chiu D19/65
D589,337 S * 3/2009 Karlsson D8/394

(76) Inventor: **Erwin Coles**, 813 Rustico Rd., Winsloe,
RR #10, P.E.I (CA) C1E 1Z4

* cited by examiner

(**) Term: **14 Years**

Primary Examiner—T. Chase Nelson
Assistant Examiner—John Windmuller
(74) *Attorney, Agent, or Firm*—Jackson Walker, LLP

(21) Appl. No.: **29/314,378**

(22) Filed: **Mar. 25, 2009**

(57) **CLAIM**

(51) **LOC (9) Cl.** **08-08**

The ornamental design for a clip for installing fiber cement board siding, as shown.

(52) **U.S. Cl.** **D8/395**

(58) **Field of Classification Search** D8/356,
D8/371, 394-396; 24/570; 248/74.2, 215,
248/227.1, 49, 300, 301, 316.7, 51, 489;
D19/65, 56; 362/396

DESCRIPTION

See application file for complete search history.

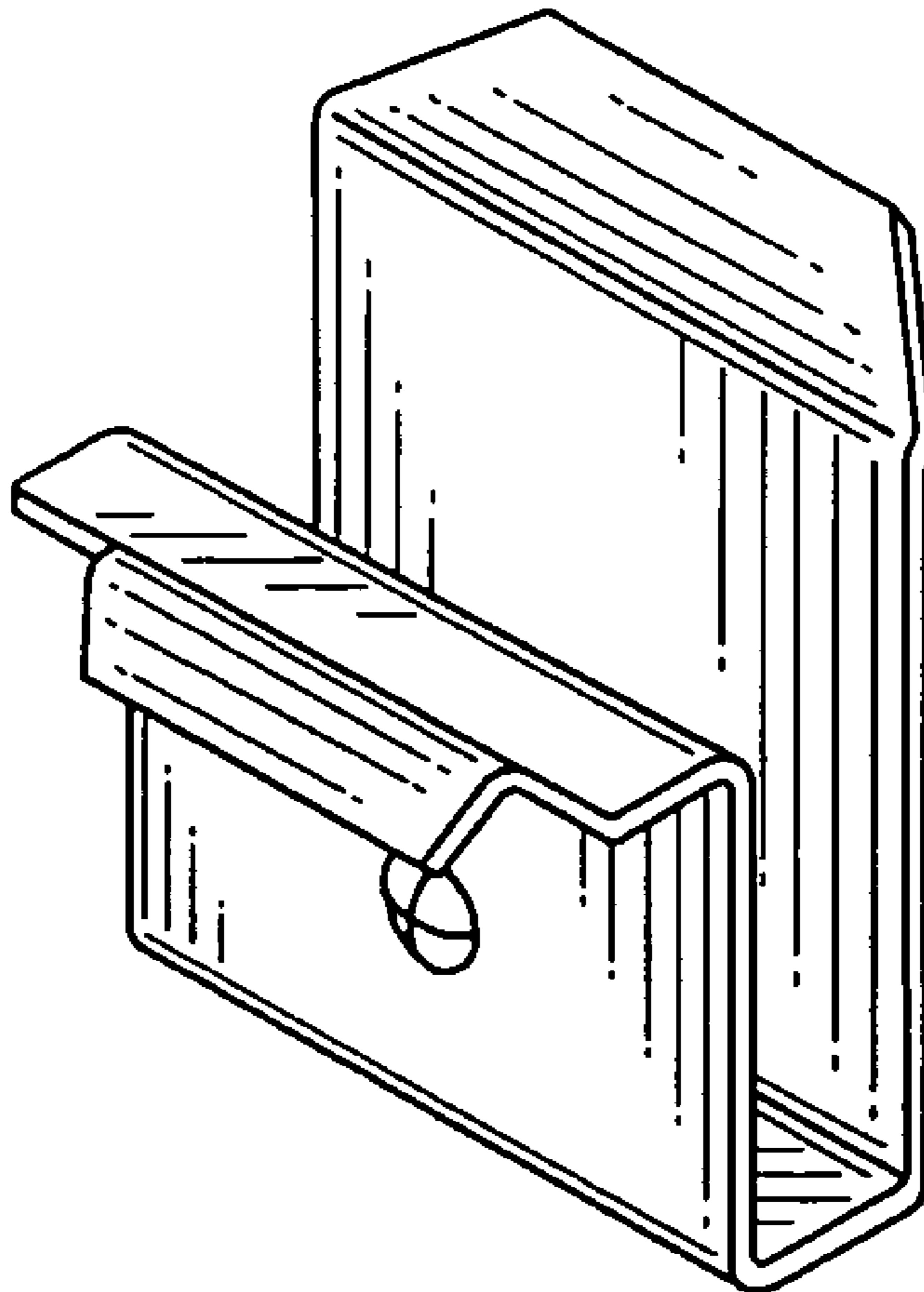
FIG. 1 is a top plan view of a clip for installing fiber cement board siding showing my new design;
FIG. 2 is a rear elevation view thereof;
FIG. 3 is a right side elevation view thereof;
FIG. 4 is a right rear perspective view thereof;
FIG. 5 is a right front perspective view thereof; and,
FIG. 6 is a front elevation view thereof.

(56) **References Cited**

U.S. PATENT DOCUMENTS

2,511,461 A * 6/1950 Carroll 33/667
D165,253 S * 11/1951 Ward D3/224
3,187,389 A * 6/1965 Anderson 52/489.1
4,281,494 A * 8/1981 Weinar 52/489.2
4,699,415 A * 10/1987 Skovajsa 294/147

1 Claim, 1 Drawing Sheet



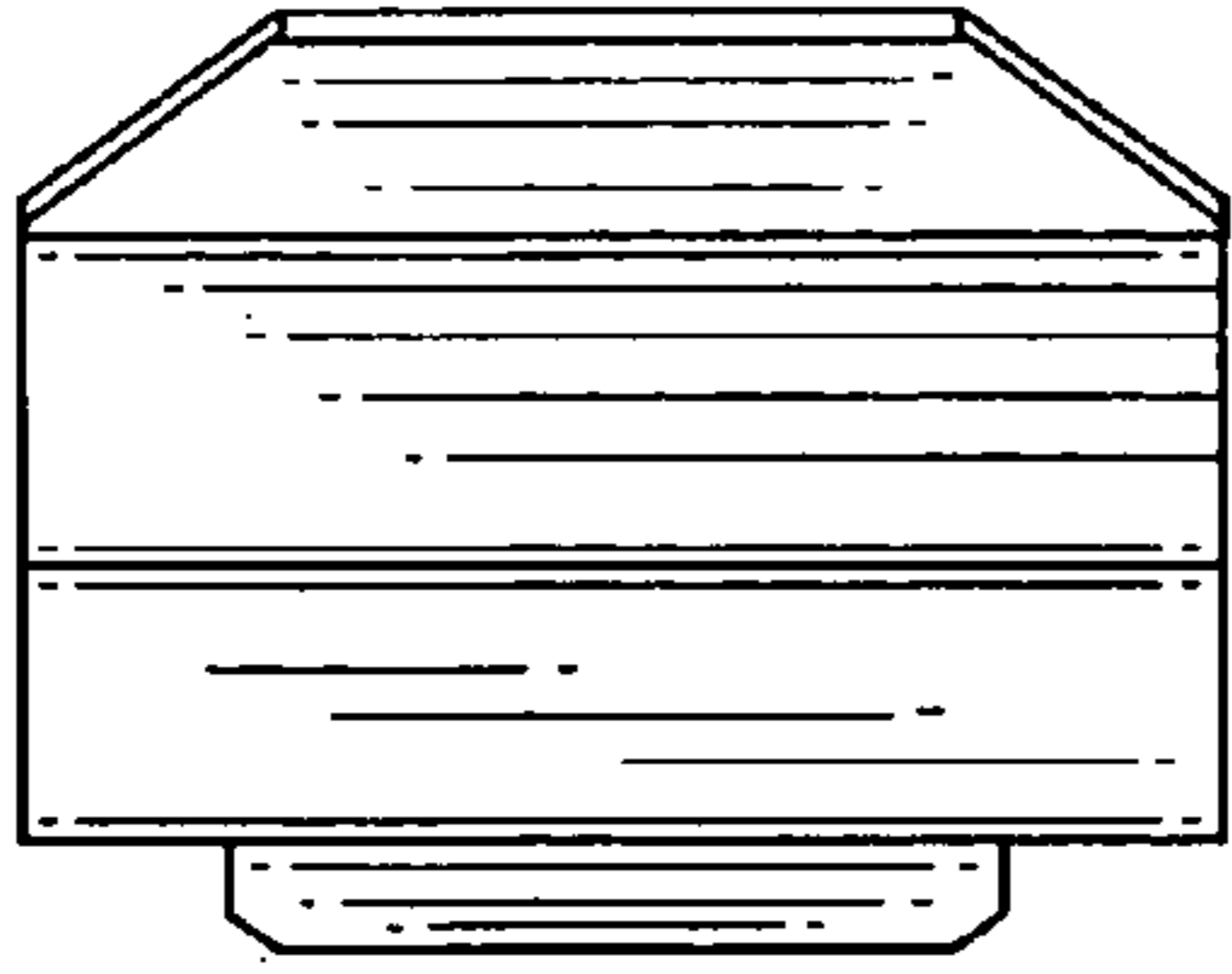


Fig. 1

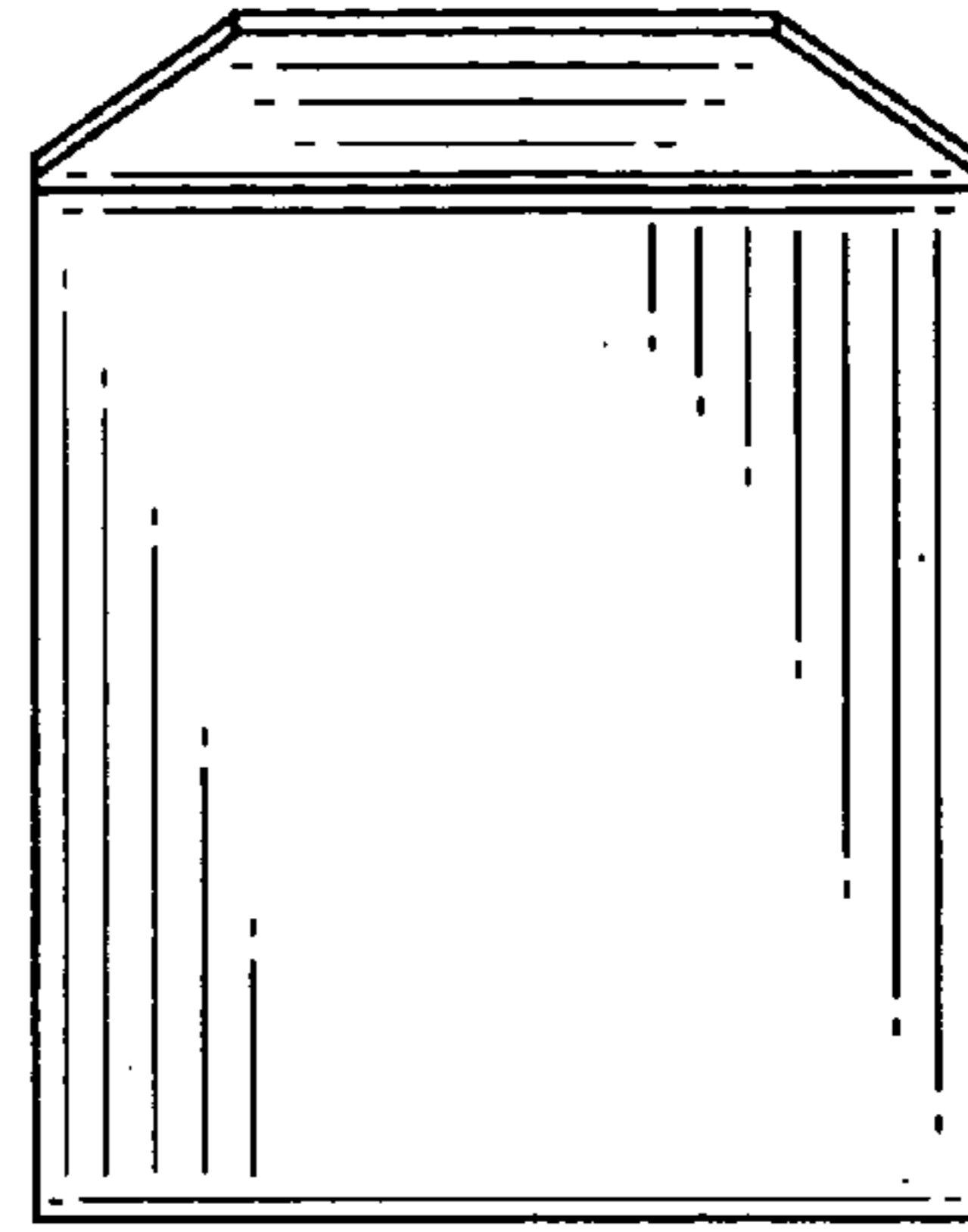


Fig. 2

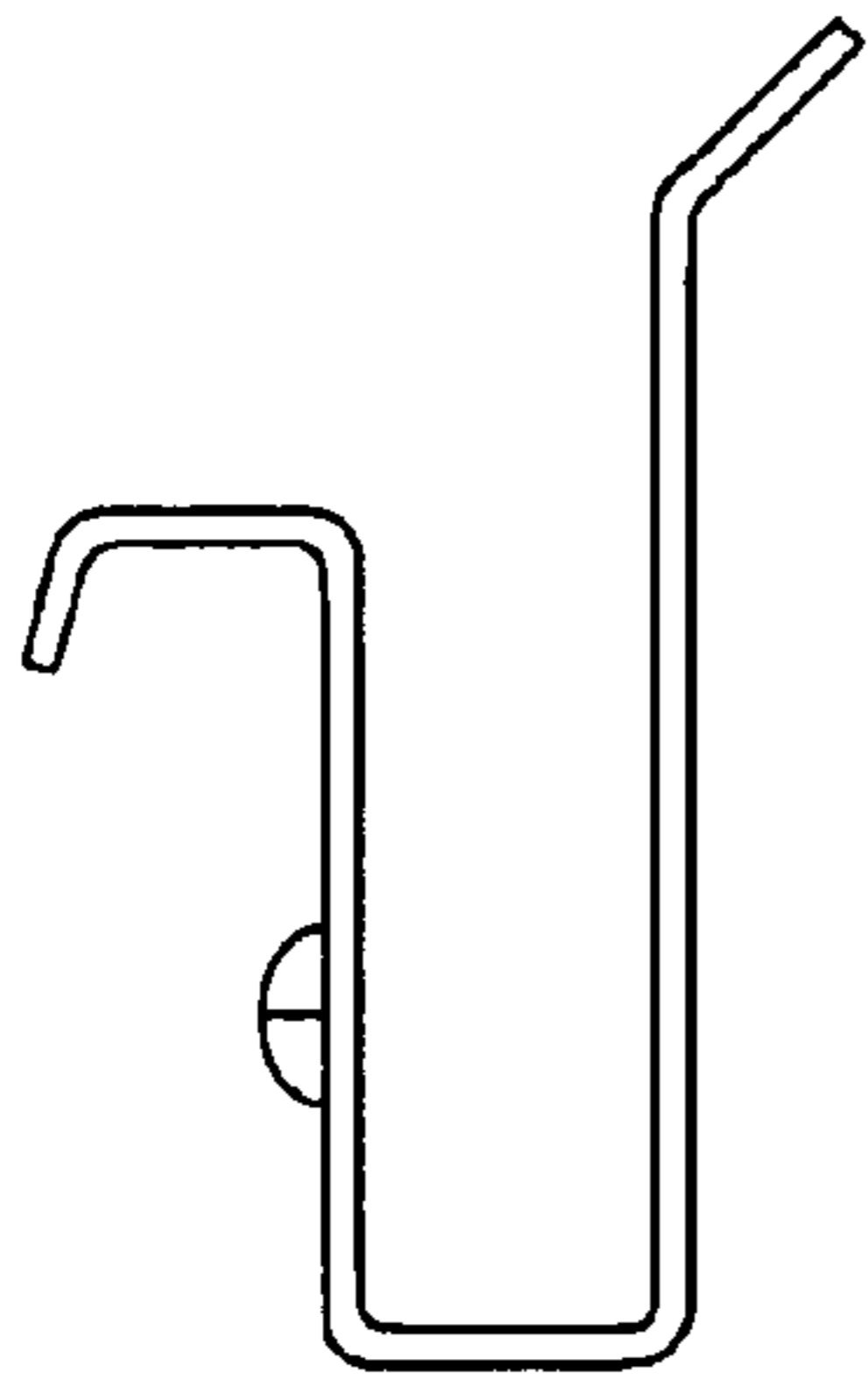


Fig. 3

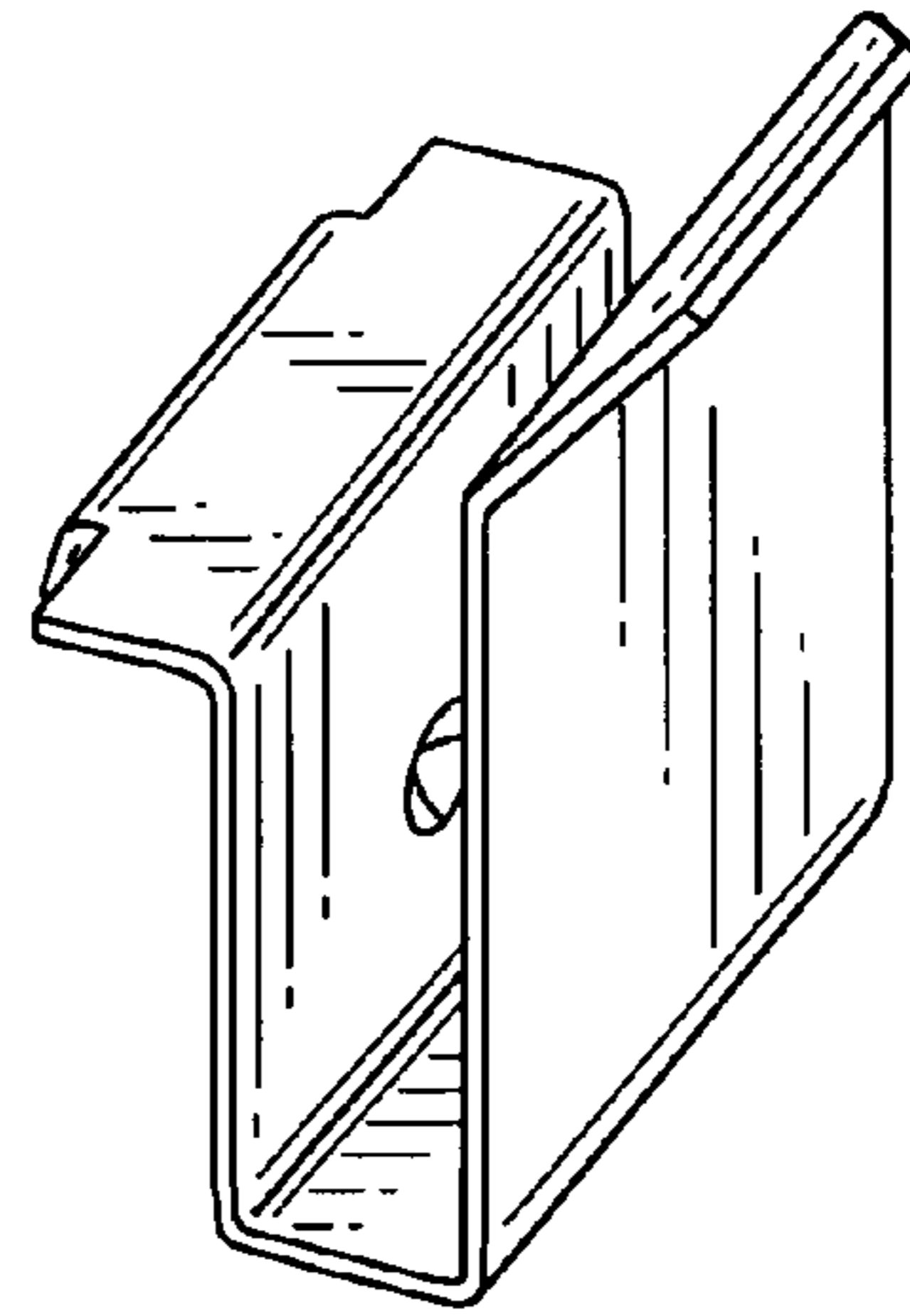


Fig. 4

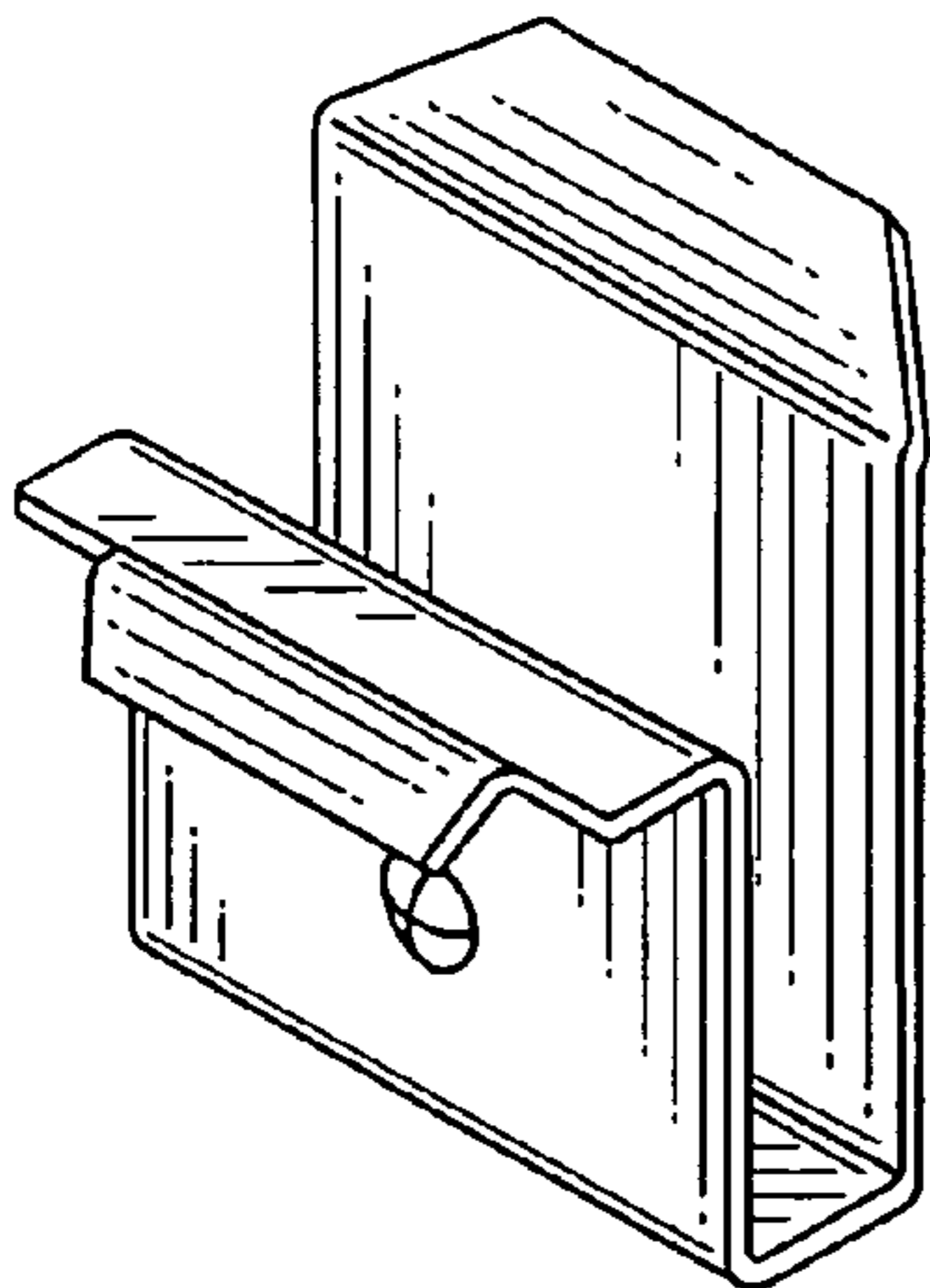


Fig. 5

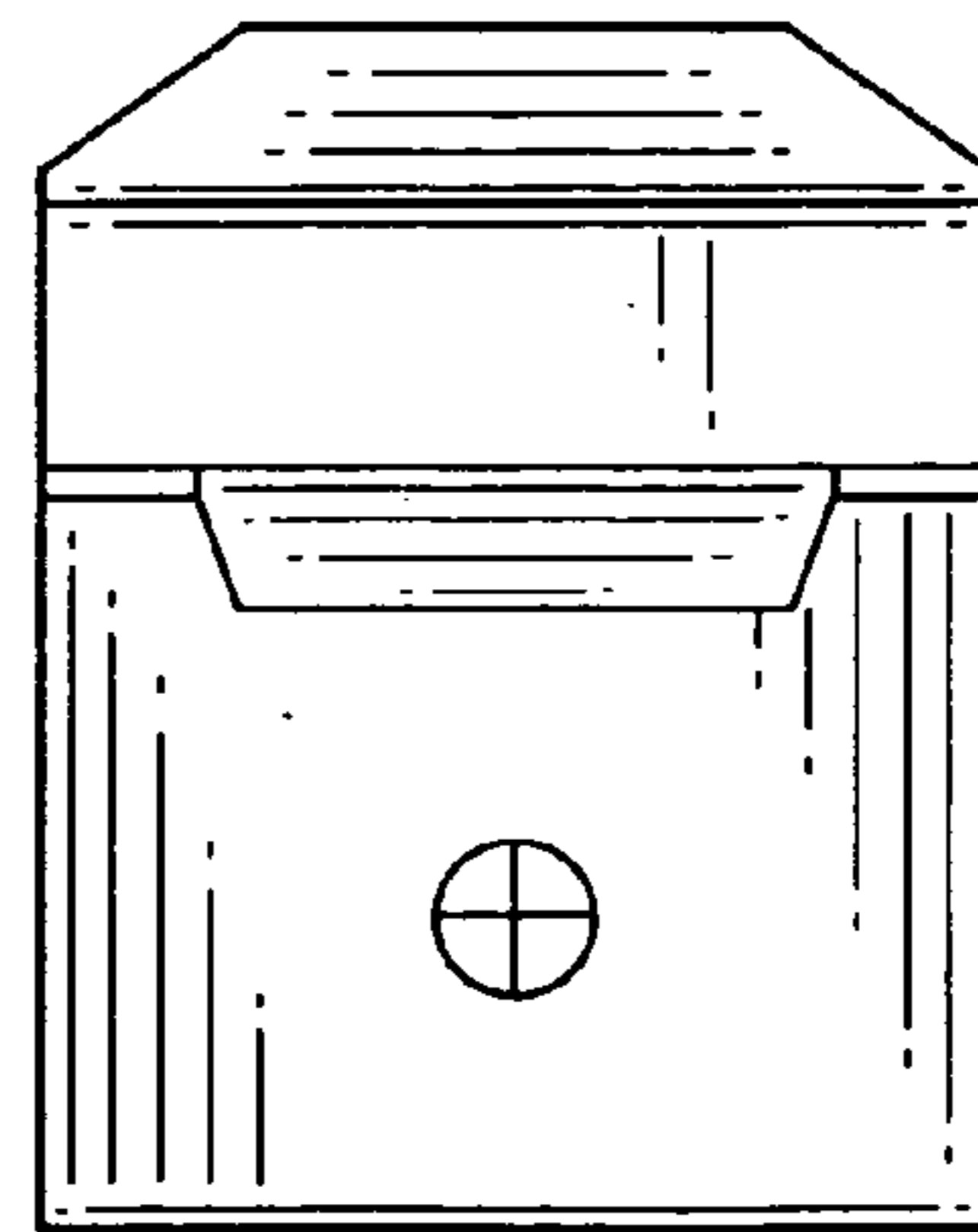


Fig. 6