



US00D600542S

(12) **United States Design Patent**  
**Zemel**

(10) **Patent No.:** **US D600,542 S**

(45) **Date of Patent:** **\*\* Sep. 22, 2009**

(54) **TABLECLOTH CLIP**

(75) Inventor: **Marc Zemel**, Melville, NY (US)

(73) Assignee: **Mr. Bar-B-Q-, Inc.**, Old Bethpage, NY (US)

(\*\*) Term: **14 Years**

(21) Appl. No.: **29/249,504**

(22) Filed: **Oct. 9, 2006**

(51) **LOC (9) Cl.** ..... **08-08**

(52) **U.S. Cl.** ..... **D8/395**

(58) **Field of Classification Search** ..... D8/394-396,  
D8/72; D19/56, 65; D32/60-64; D28/40;  
24/67.3, 72.5, 489, 498, 499

See application file for complete search history.

(56) **References Cited**

**U.S. PATENT DOCUMENTS**

1,621,720	A	3/1927	Harper	
3,089,211	A	5/1963	Perusse	
3,959,854	A *	6/1976	Lewis	24/457
4,158,905	A	6/1979	O'Leary	
D291,963	S *	9/1987	Farmer	D8/394
4,947,526	A	8/1990	Fogelman	
5,090,095	A	2/1992	Lightfoot	
5,384,938	A	1/1995	Frederick	
5,404,601	A *	4/1995	O'Neill et al.	5/493
6,477,751	B2 *	11/2002	Baumdicker et al.	24/559
D467,160	S *	12/2002	Roick	D8/371
D551,713	S *	9/2007	Schmidt	D19/53
7,270,308	B1 *	9/2007	Mohr	248/309.1

**FOREIGN PATENT DOCUMENTS**

FR 2654603 5/1991

\* cited by examiner

*Primary Examiner*—T. Chase Nelson

*Assistant Examiner*—John Windmuller

(74) *Attorney, Agent, or Firm*—Seth Natter; Natter & Natter

(57) **CLAIM**

The ornamental design for a tablecloth clip, as shown and described.

**DESCRIPTION**

FIG. 1 is a perspective view of a tablecloth clip showing my new design;

FIG. 2 is a rear elevational view thereof;

FIG. 3 is a front elevational view thereof;

FIG. 4 is an auxiliary view thereof, the same taken substantially along the plane 4—4 of FIG. 3;

FIG. 5 is left side elevational view thereof;

FIG. 6 is a right side elevational view thereof;

FIG. 7 is a top plan view thereof;

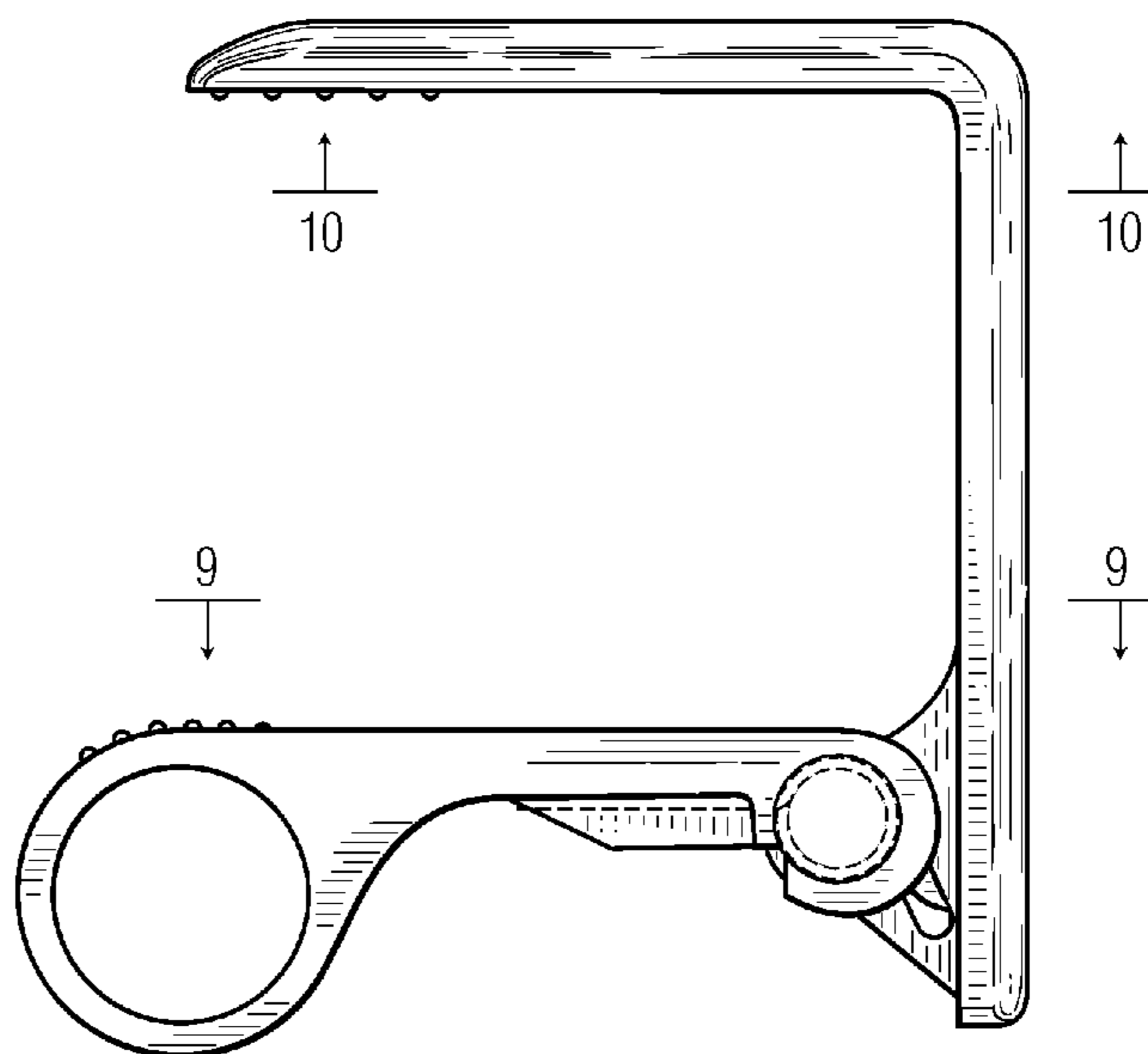
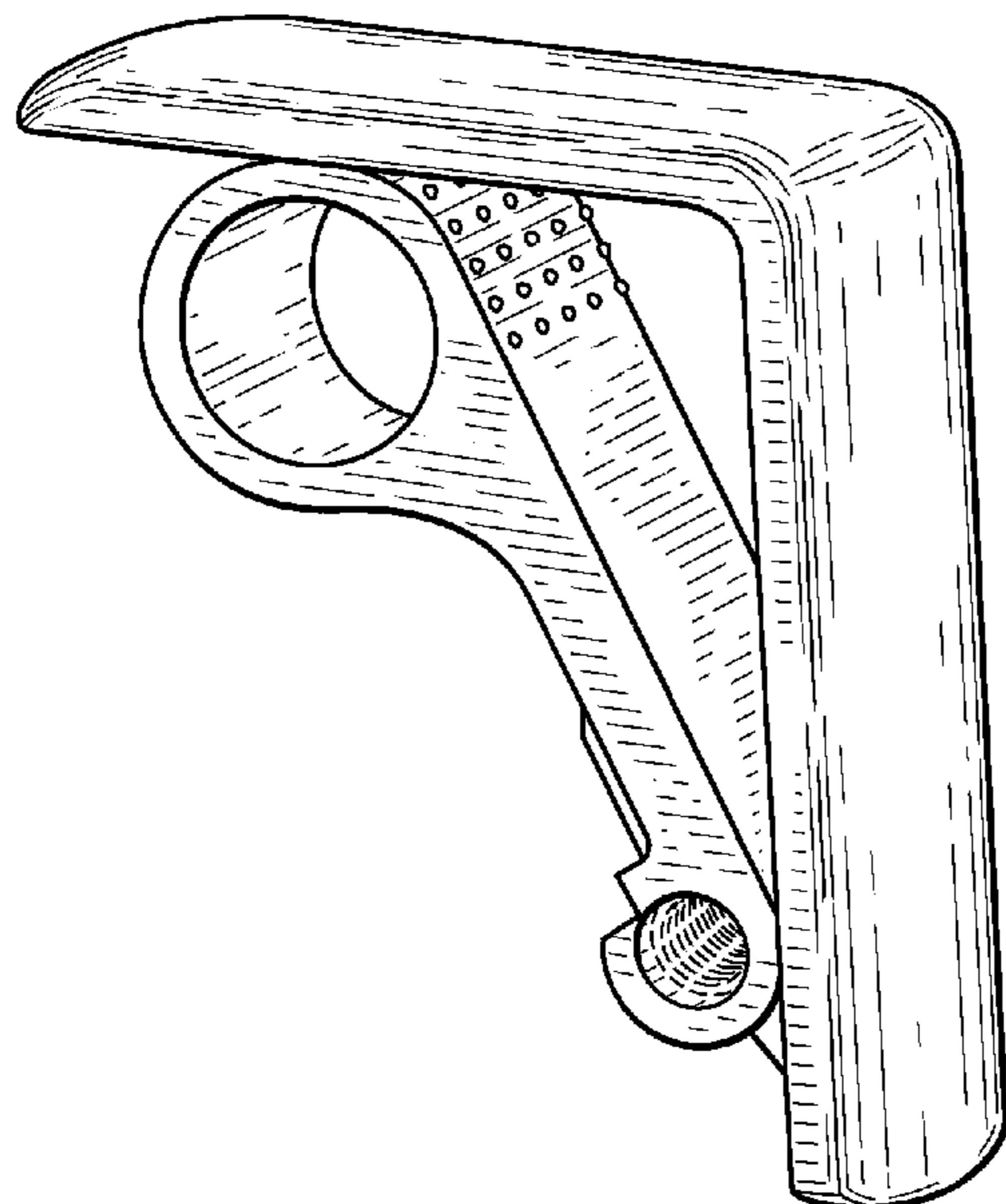
FIG. 8 is a front elevational view thereof with a lower pivot arm in an open operative position for engaging the underside of a tabletop;

FIG. 9 is a sectional view thereof, the same being taken substantially along the line 9—9 of FIG. 8; and,

FIG. 10 is a sectional view thereof, the same being taken substantially along the line 10— of FIG. 8.

The broken line showing of a spring depicts environment only and forms no part of the claimed design. In FIGS. 4 and 5 the surface within the broken lines forms no part of the claimed design.

**1 Claim, 3 Drawing Sheets**



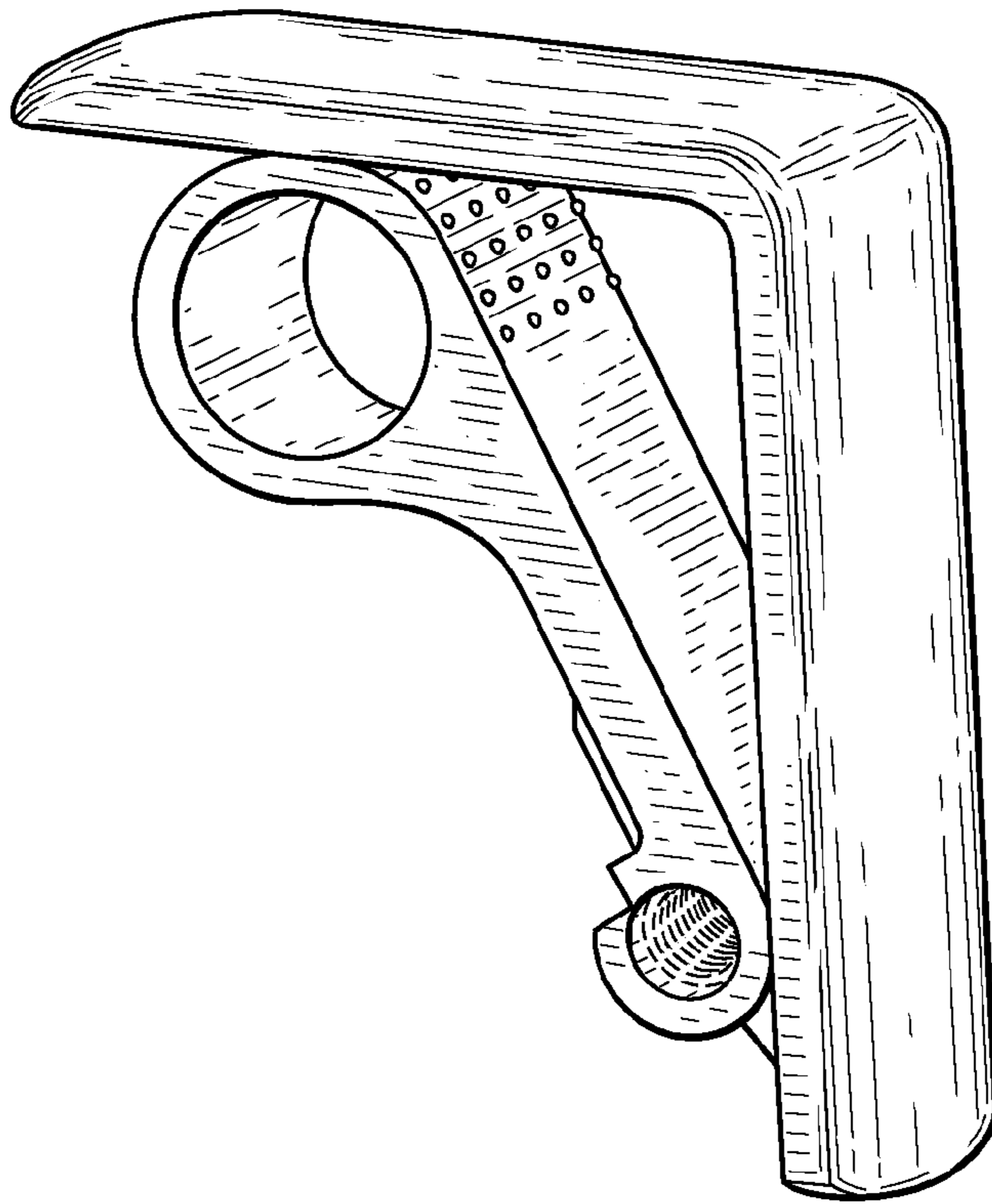


FIG. 1

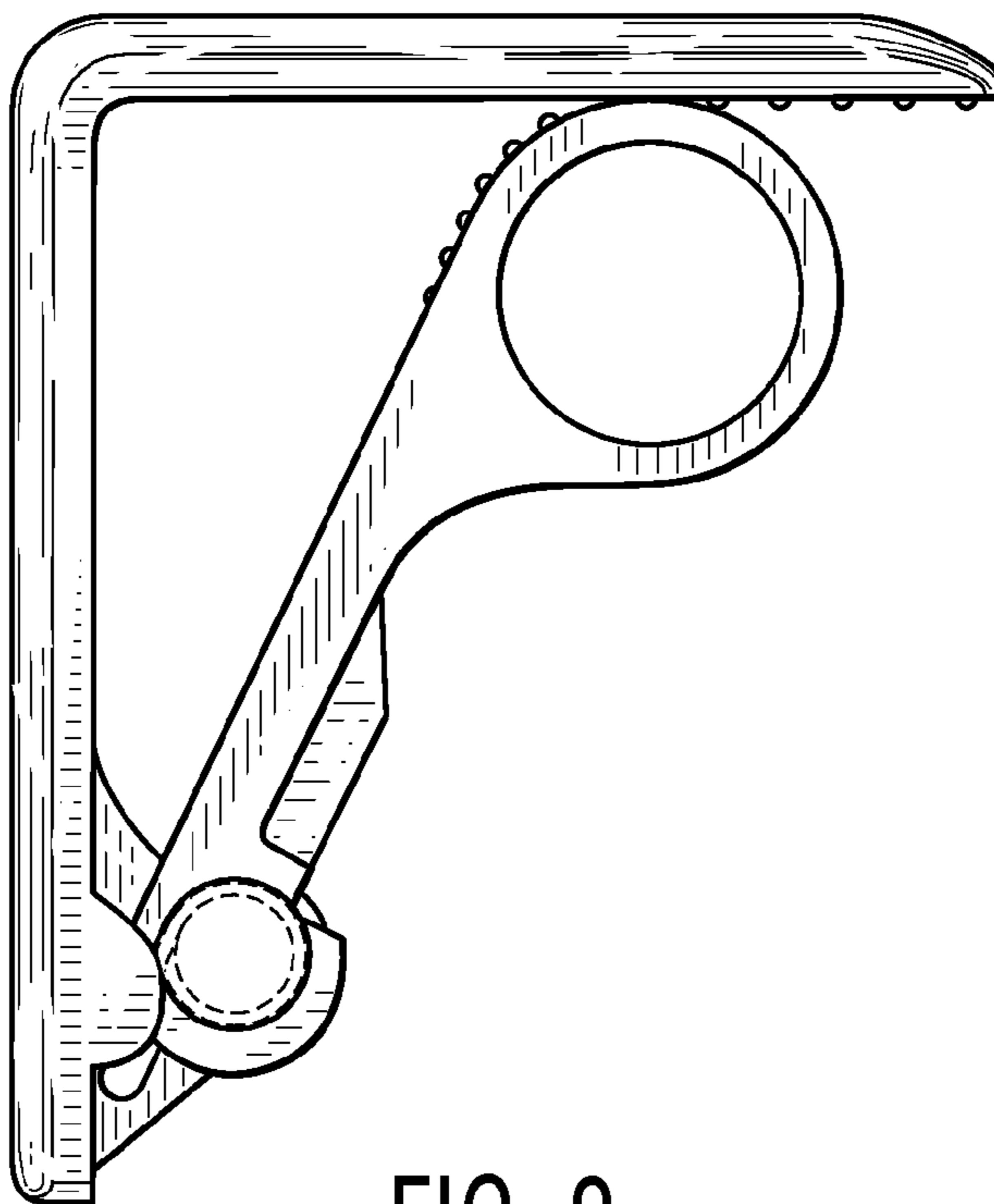


FIG. 2

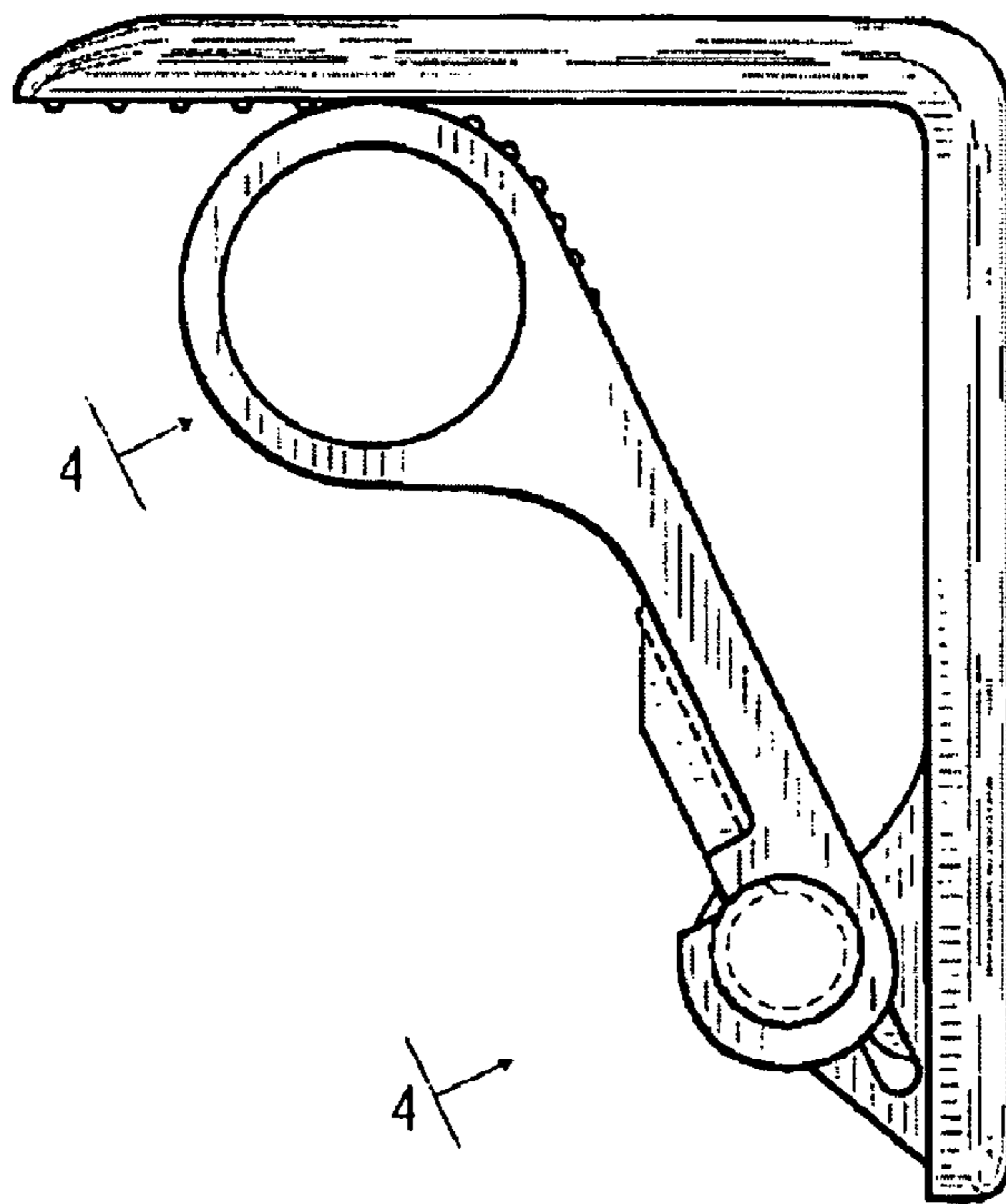


FIG. 3

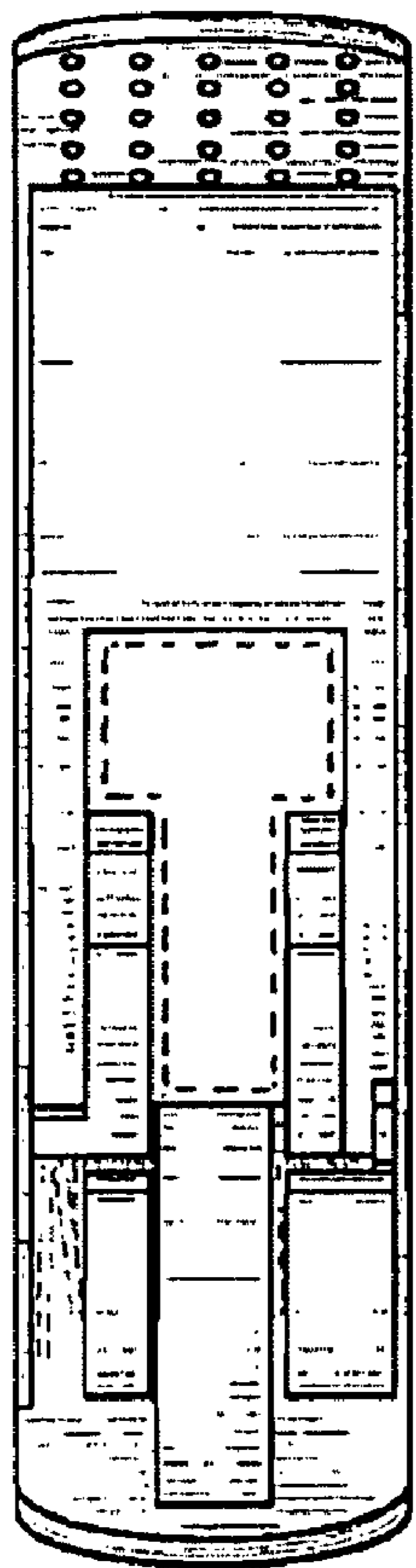


FIG. 4

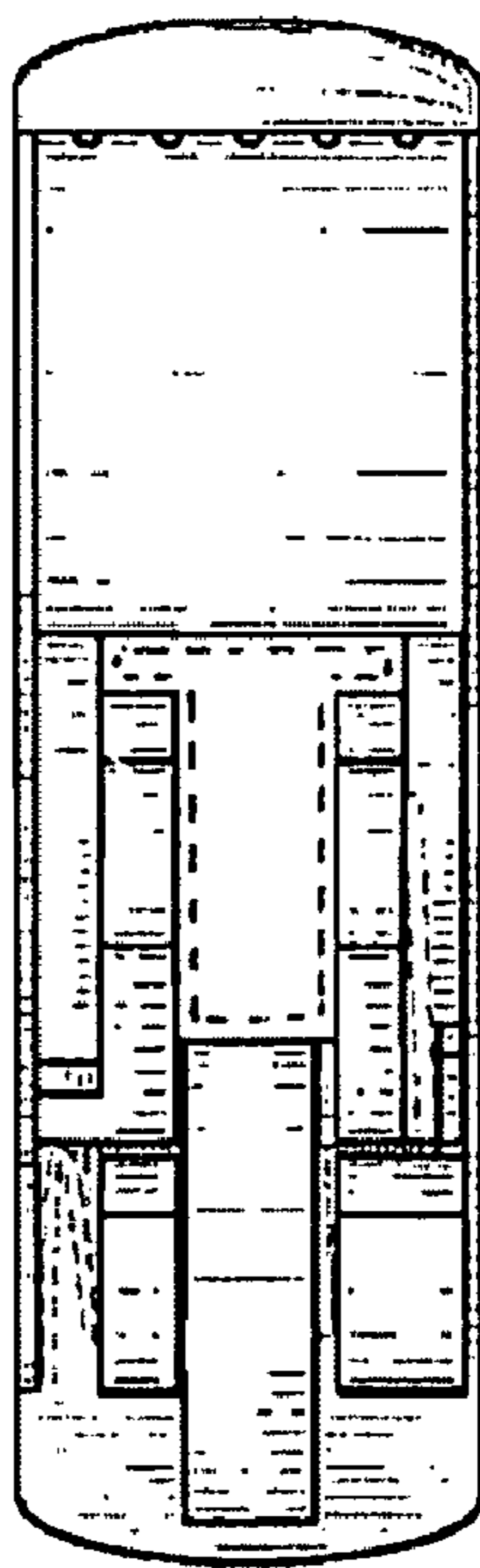


FIG. 5

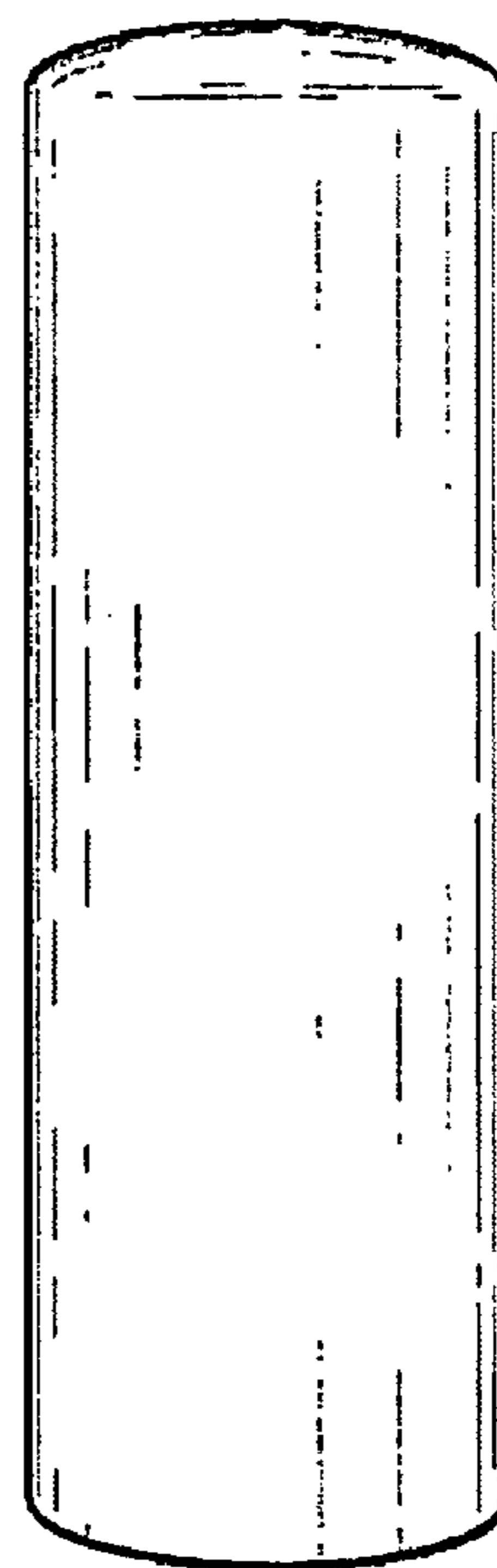


FIG. 6

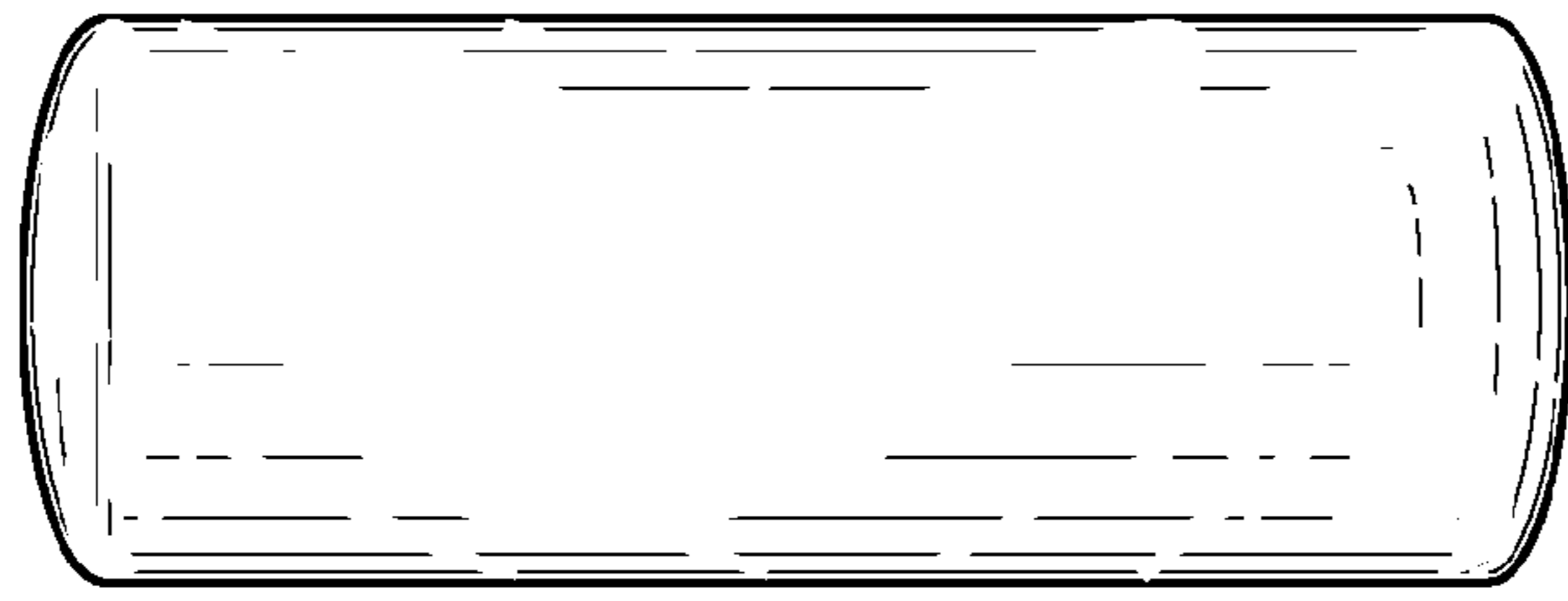


FIG. 7

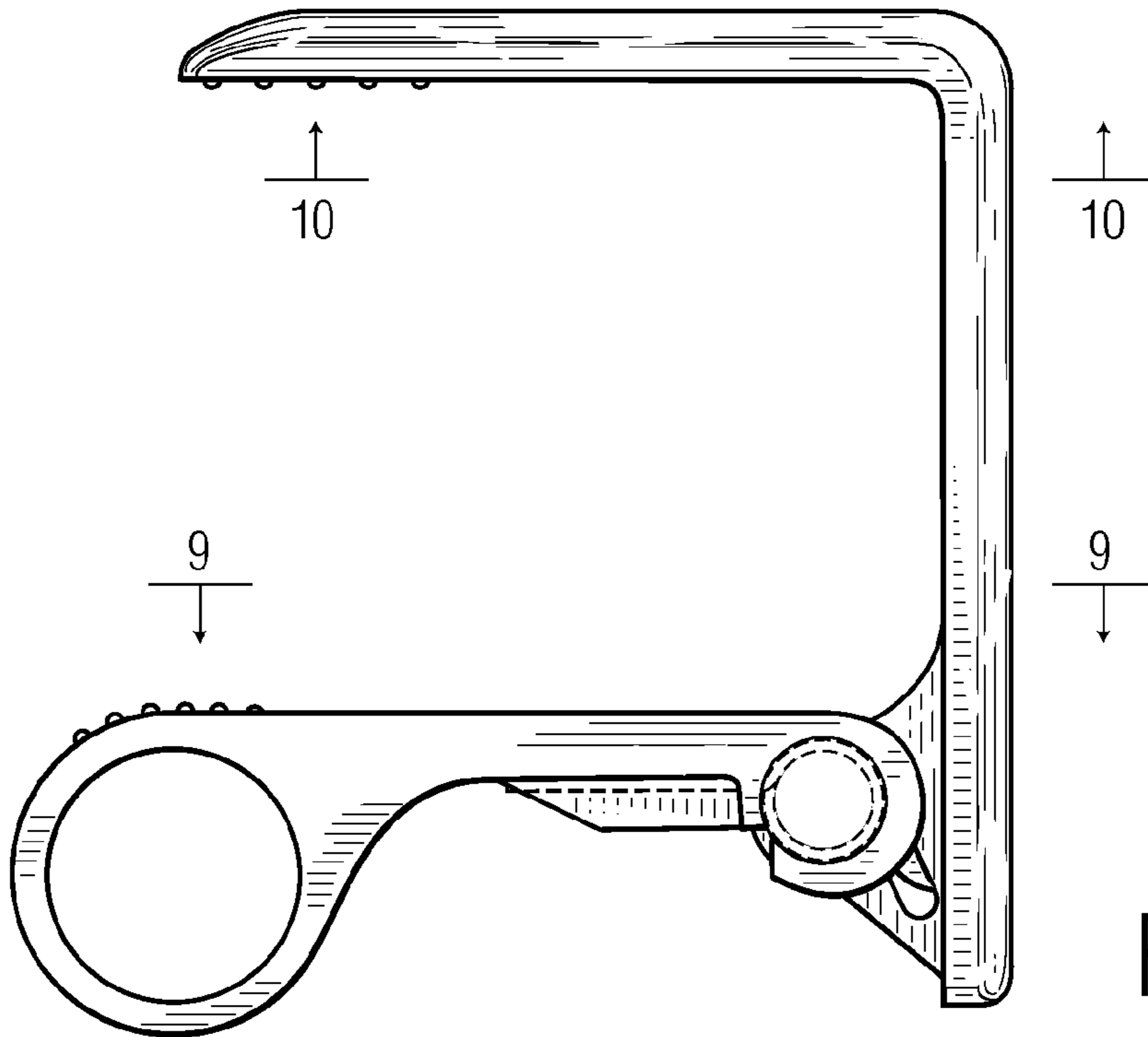


FIG. 8

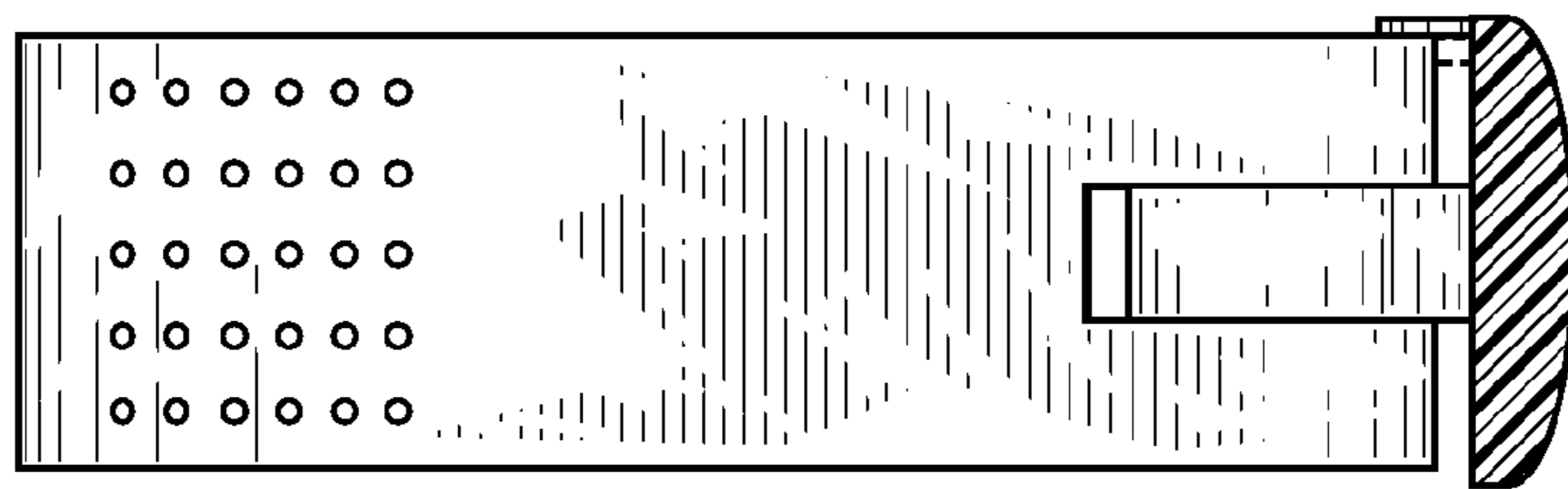


FIG. 9

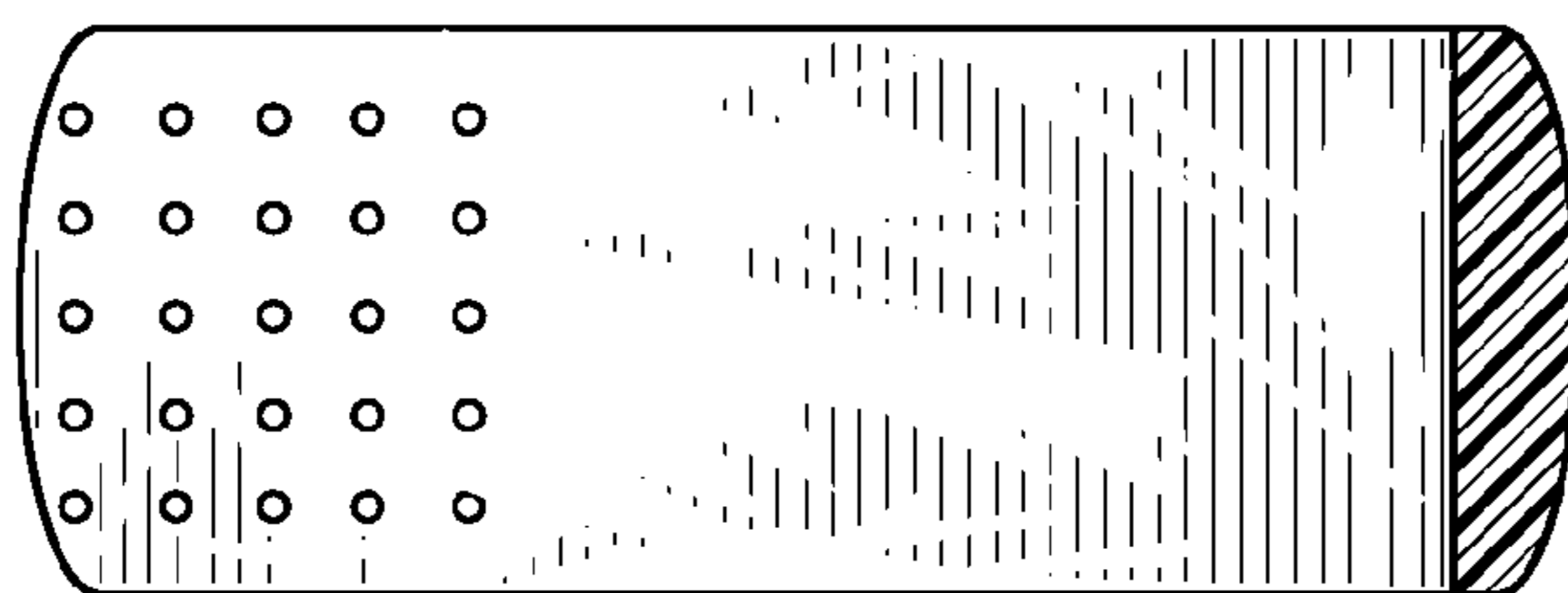


FIG. 10