



US00D600541S

(12) **United States Design Patent**  
**Steppat et al.**

(10) **Patent No.:** **US D600,541 S**

(45) **Date of Patent:** **\*\* Sep. 22, 2009**

(54) **TUBE**

(75) Inventors: **Maik Steppat**, Trunkelsberg (DE);  
**Barbara Puhane**, Memmingen (DE);  
**Manfred Hohenhorst**, Rot an der Rot  
(DE); **Volker Maidhof**, Sontheim (DE);  
**Andreas Bauer**, Memmingerberg (DE)

(73) Assignee: **Metzeler Schaum GmbH**, Memmingen  
(DE)

(\*\*) Term: **14 Years**

(21) Appl. No.: **29/321,724**

(22) Filed: **Jul. 22, 2008**

(51) **LOC (9) Cl.** ..... **08-05**

(52) **U.S. Cl.** ..... **D8/380; D6/606**

(58) **Field of Classification Search** ..... D9/456,  
D9/424; D8/394, 380, 373, 349; D6/606,  
D6/605, 596, 595; D34/38; D3/311; D25/118;  
D21/487, 484; D16/202; 248/918, 917,  
248/466, 294.1, 292.13, 291.1, 289.11, 264,  
248/262, 261, 251, 229.16, 229.12, 229.11,  
248/227.4, 225.21, 220.21, 214, 207, 205.3,  
248/205.1, 200; 211/105.2, 105.1

See application file for complete search history.

(56) **References Cited**

**U.S. PATENT DOCUMENTS**

D35,672 S \* 2/1902 Weeks ..... D9/456  
D166,460 S \* 4/1952 French ..... D9/456  
D167,567 S \* 8/1952 French ..... D9/456  
2,833,532 A \* 5/1958 Ries ..... 165/9.1  
D210,868 S \* 4/1968 Stockdale ..... D9/456  
D229,674 S \* 12/1973 Quigg ..... D9/456  
D234,495 S \* 3/1975 Minneman ..... D9/456  
4,031,663 A \* 6/1977 Brunk ..... 248/151  
D263,104 S \* 2/1982 Stalter, Sr. .... D6/605

4,691,998 A \* 9/1987 Sakagaito et al. .... 359/855  
D299,315 S \* 1/1989 Kasanda ..... D9/424  
4,866,800 A \* 9/1989 Bedford ..... 5/652.1  
D324,834 S \* 3/1992 Saarinen ..... D3/313  
D325,714 S \* 4/1992 Karhiniemi et al. .... D3/313  
5,107,558 A 4/1992 Luck  
D344,234 S \* 2/1994 Kaplan ..... D9/430  
5,335,814 A \* 8/1994 Hepp ..... 220/509

(Continued)

**FOREIGN PATENT DOCUMENTS**

DE 4029947 A1 1/1992

(Continued)

*Primary Examiner*—Susan Bennett Hattan

(74) *Attorney, Agent, or Firm*—Stephen B. Salai; Brian B.  
Shaw; Harter Secrest & Emery

(57) **CLAIM**

We claim the ornamental design for a tube, as shown and  
described.

**DESCRIPTION**

FIG. 1 is a top front left perspective view of a tube in accor-  
dance with my design;

FIG. 2 is a front right perspective view of a tube in accordance  
with my new design;

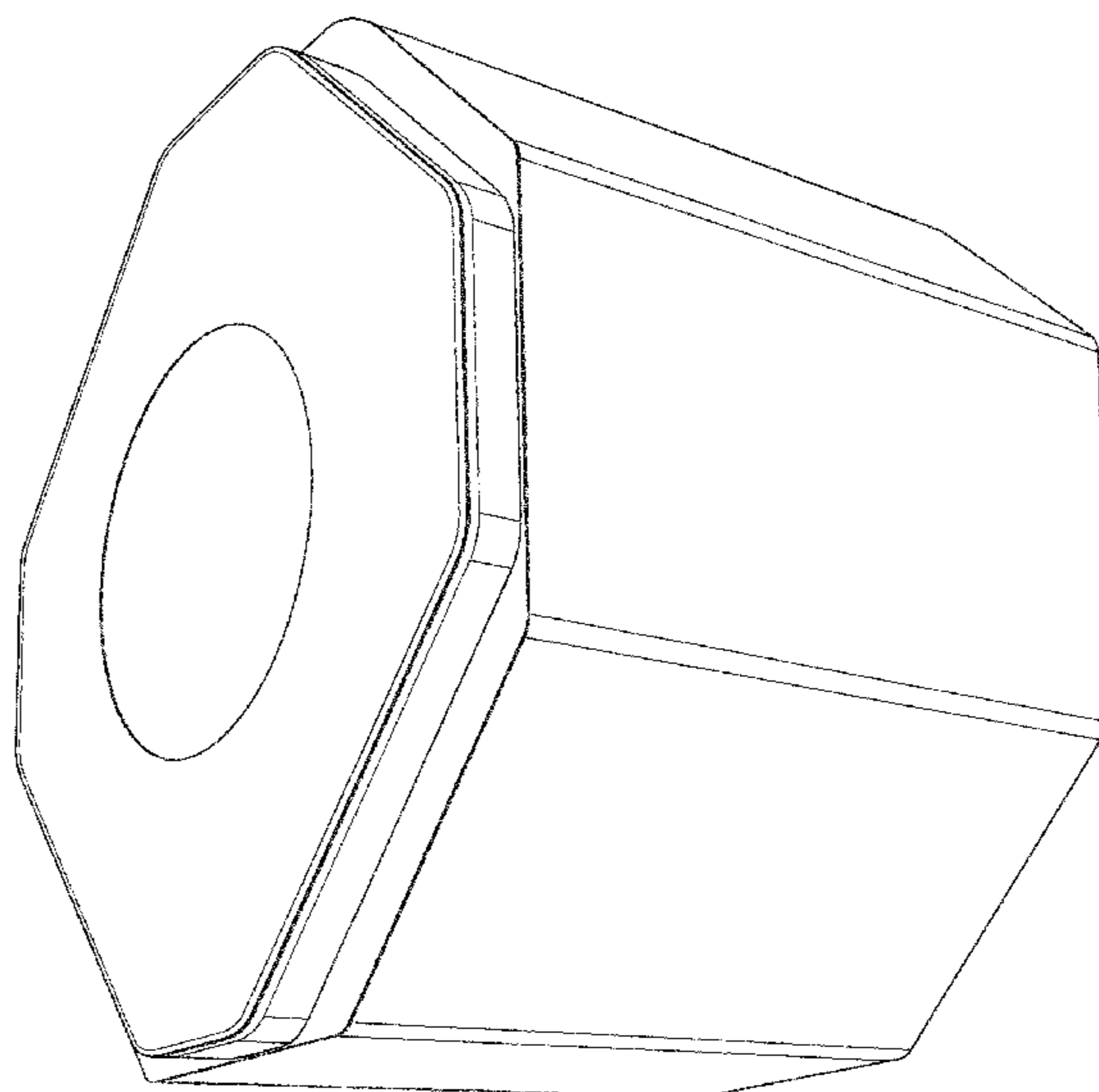
FIG. 3 is a bottom front right perspective view of a tube in  
accordance with my new design;

FIG. 4 is a top left perspective view of an assemblage of six  
tubes in accordance with FIG. 1; and,

FIG. 5 is a top plan view of a resilient support formed from a  
multiplicity of tubes in accordance with FIG. 1.

The broken lines in the drawings depict environmental sub-  
ject matter only and form no part of the claimed design.

**1 Claim, 5 Drawing Sheets**



# US D600,541 S

Page 2

## U.S. PATENT DOCUMENTS

D363,179 S \* 10/1995 Abraham ..... D6/495  
D365,857 S \* 1/1996 Lyman ..... D21/491  
D377,901 S \* 2/1997 Payne et al. .... D9/456  
D378,968 S \* 4/1997 Martin et al. .... D6/596  
D381,394 S \* 7/1997 Lex et al. .... D9/456  
5,681,189 A \* 10/1997 Dunham ..... 439/738  
5,685,224 A \* 11/1997 Dean et al. .... 101/328  
D395,780 S \* 7/1998 Denney et al. .... D6/596  
D416,426 S \* 11/1999 Denney et al. .... D6/596  
D416,741 S \* 11/1999 Denney et al. .... D6/596  
D425,214 S \* 5/2000 Speck ..... D25/118  
6,347,423 B1 \* 2/2002 Stumpf ..... 5/720  
D463,745 S \* 10/2002 Hausen ..... D9/456  
D506,098 S \* 6/2005 Martin et al. .... D6/596  
D509,980 S \* 9/2005 Martin et al. .... D6/596  
D525,814 S \* 8/2006 Contreras ..... D6/606  
D525,815 S \* 8/2006 Contreras ..... D6/606  
D526,151 S \* 8/2006 Contreras ..... D6/606  
D527,564 S \* 9/2006 Contreras ..... D6/606  
D527,565 S \* 9/2006 Contreras ..... D6/606  
D528,340 S \* 9/2006 Contreras ..... D6/606

7,120,956 B1 10/2006 Liao  
D574,231 S \* 8/2008 Laval ..... D9/424  
D587,116 S \* 2/2009 Landry ..... D9/456  
2003/0049526 A1\* 3/2003 Kao ..... 429/176

## FOREIGN PATENT DOCUMENTS

DE 7829649 U1 9/1996  
DE 19521910 C1 9/1996  
DE 10327258 A1 1/2005  
DE 202005015047 U1 3/2006  
DE 202007009374 U1 10/2007  
DE 102006025136 A1 12/2007  
DE 202007018463 U1 8/2008  
EP 0465810 B1 9/1994  
GB 476659 A 12/1937  
GB 902272 A 8/1962  
GB 936540 A 9/1963  
GB 2427355 A 12/2006  
JP 08103581 A 4/1996  
WO WO 2004110219 12/2004  
WO WO 2007137993 12/2007

\* cited by examiner

Fig. 1

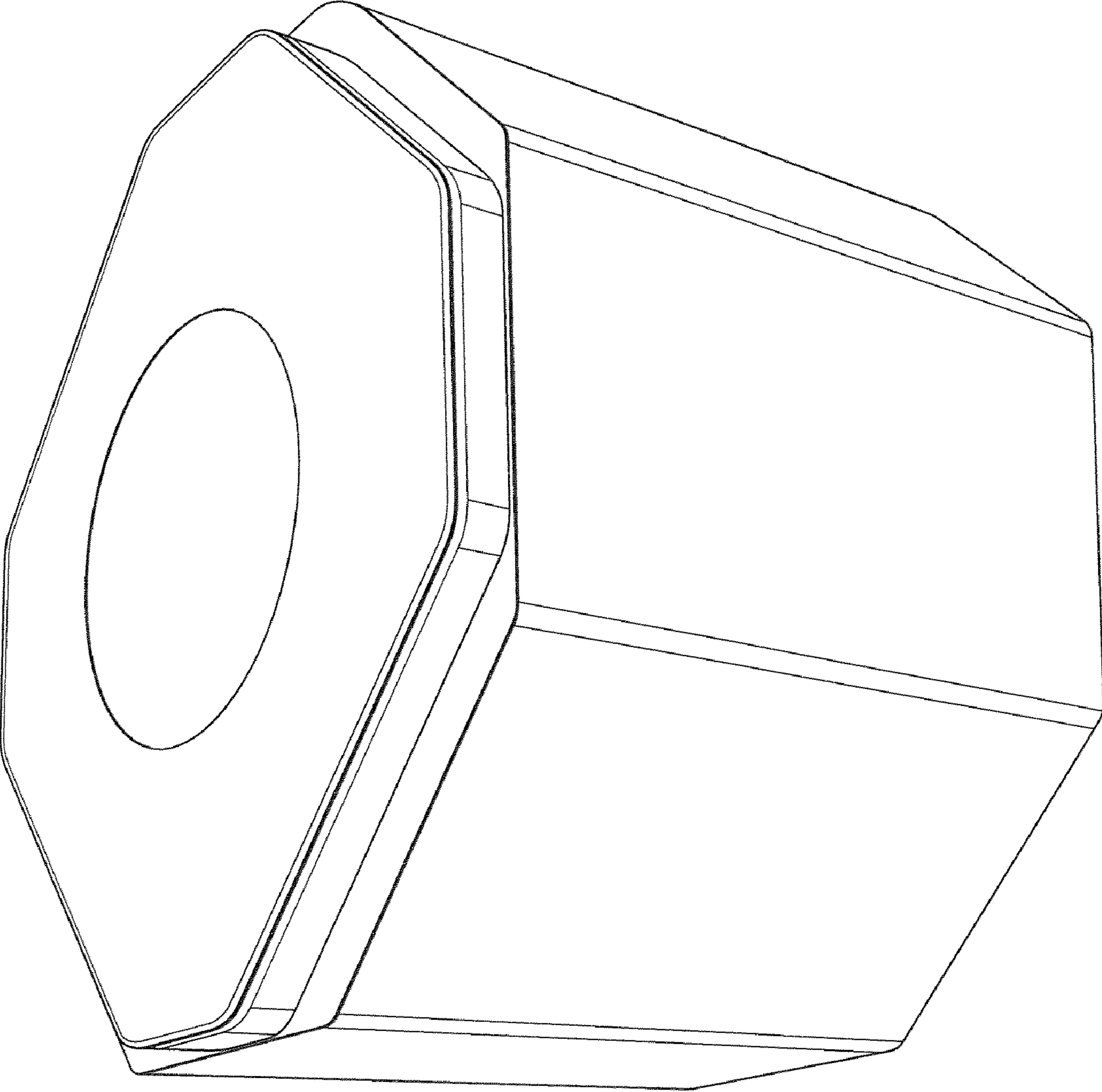


Fig. 2

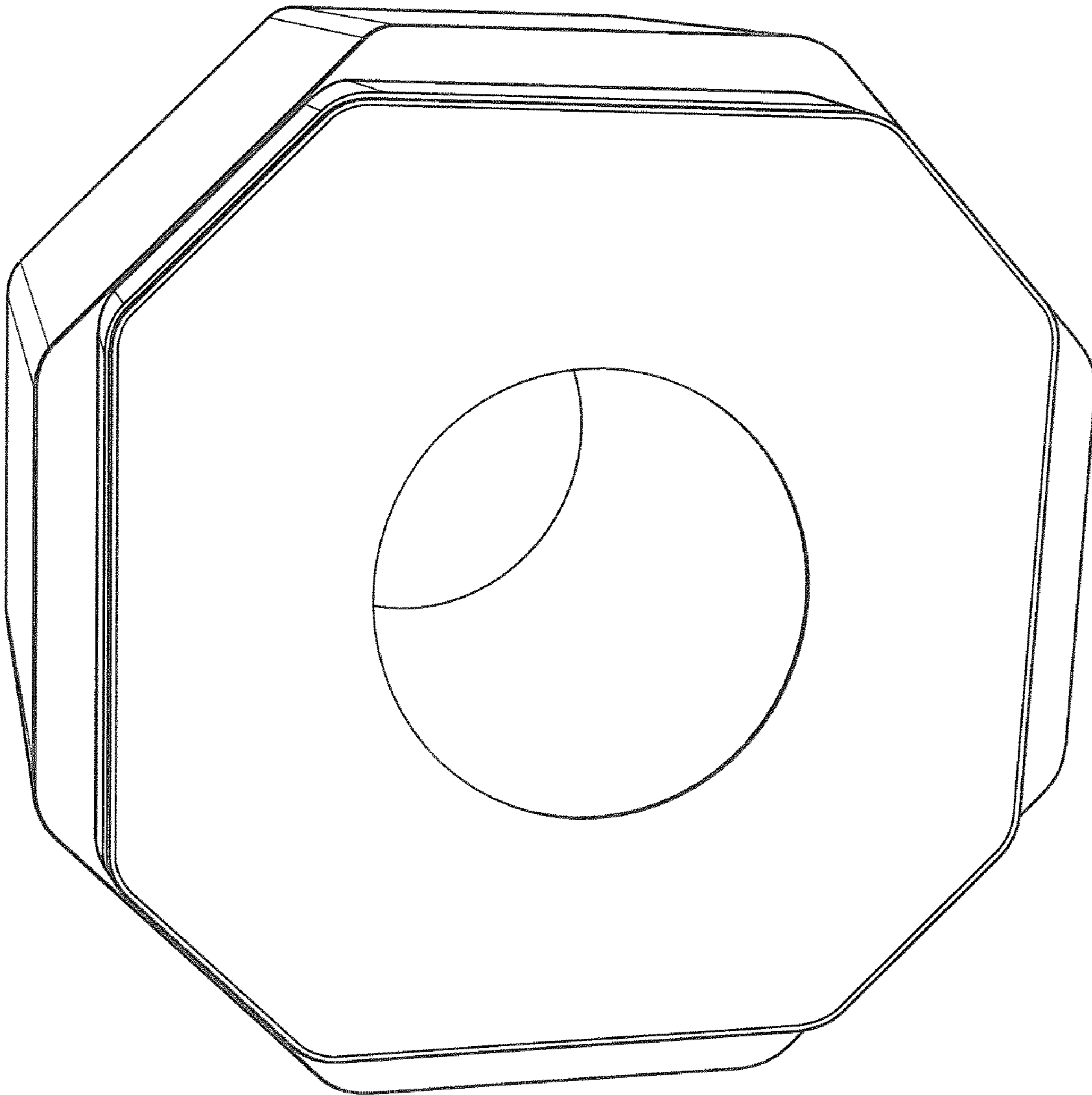


Fig. 3

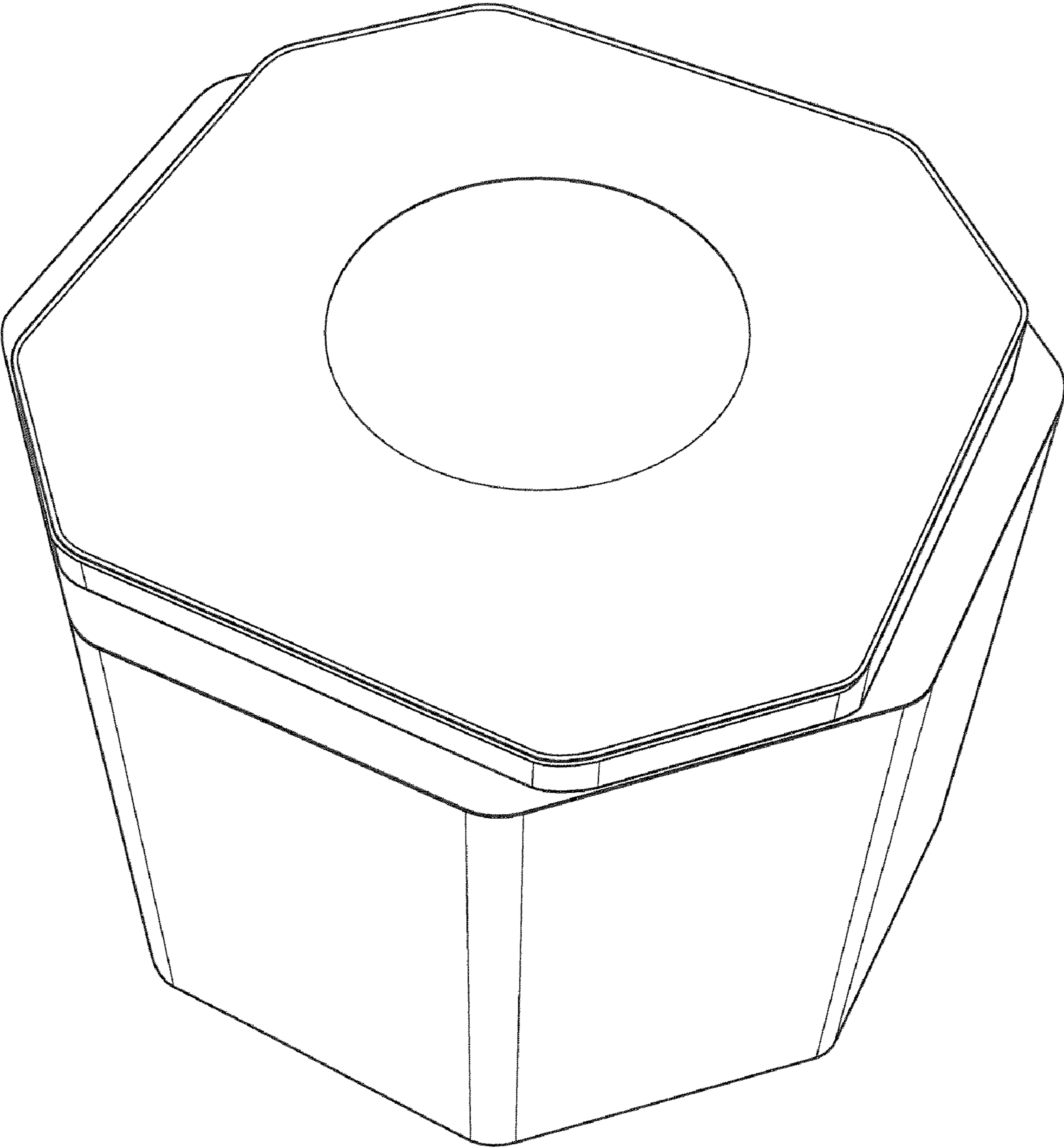


Fig. 4

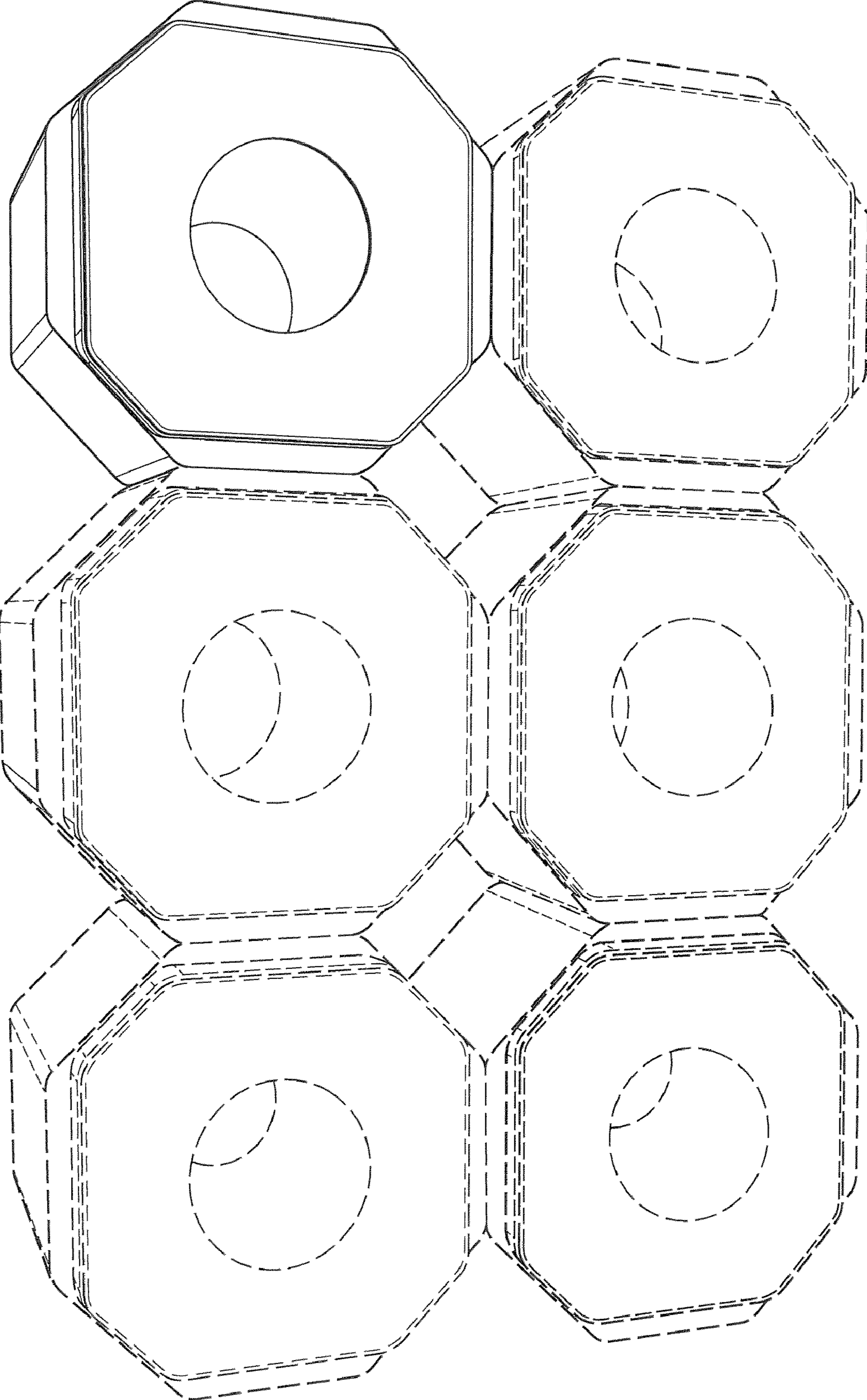


Fig. 5

