



US00D600540S

(12) **United States Design Patent**
Hansson et al.

(10) **Patent No.:** **US D600,540 S**

(45) **Date of Patent:** **** Sep. 22, 2009**

(54) **BEAM SUPPORT BRACKET**

(75) Inventors: **Martin Hansson**, Alafors (SE); **Anders Jonsson**, Torslanda (SE); **Göran Abbestam**, Partille (SE)

(73) Assignee: **FlexLink AB**, Gothenburg (SE)

(**) Term: **14 Years**

(21) Appl. No.: **29/295,002**

(22) Filed: **Sep. 19, 2007**

(51) **LOC (9) Cl.** **08-01**

(52) **U.S. Cl.** **D8/380**

(58) **Field of Classification Search** D8/40,
D8/394, 381, 380, 373, 366, 354, 353, 349;
D25/132, 131, 126, 119; 52/687, 686, 506.07,
52/506.06, 426; 248/267, 265, 208, 243
See application file for complete search history.

(56) **References Cited**

U.S. PATENT DOCUMENTS

D553,458 S * 10/2007 Hood D8/40

* cited by examiner

Primary Examiner—Susan Bennett Hattan

(74) *Attorney, Agent, or Firm*—Schwegman, Lundberg & Woessner, P.A.

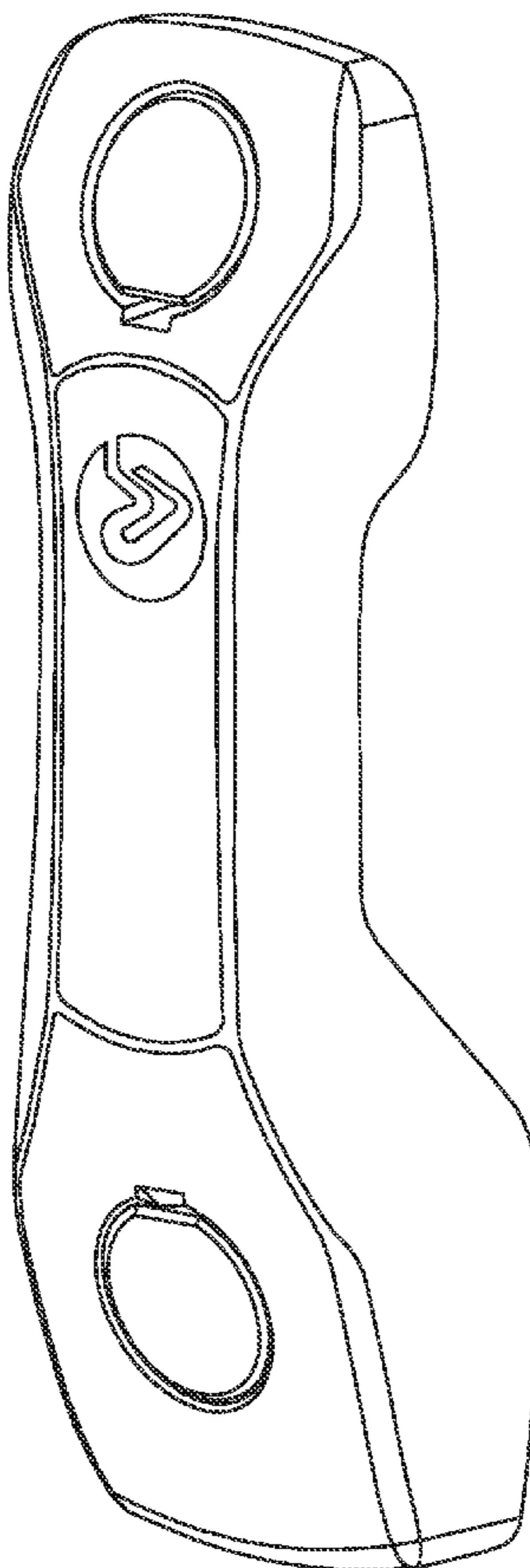
(57) **CLAIM**

The ornamental design for a beam support bracket, as shown and described.

DESCRIPTION

FIG. 1 is an isometric view of a beam support bracket;
FIG. 2 is a front view of the beam support bracket of FIG. 1;
FIG. 3 is a first side view of the beam support bracket of FIG. 1;
FIG. 4 is a second side view of the beam support bracket of FIG. 1;
FIG. 5 is a bottom view of the beam support bracket of FIG. 1;
FIG. 6 is a top view of the beam support bracket of FIG. 1; and,
FIG. 7 is a rear view of the beam support bracket of FIG. 1.
The broken line showing depicts environmental subject matter only and forms no part of the claimed design.

1 Claim, 6 Drawing Sheets



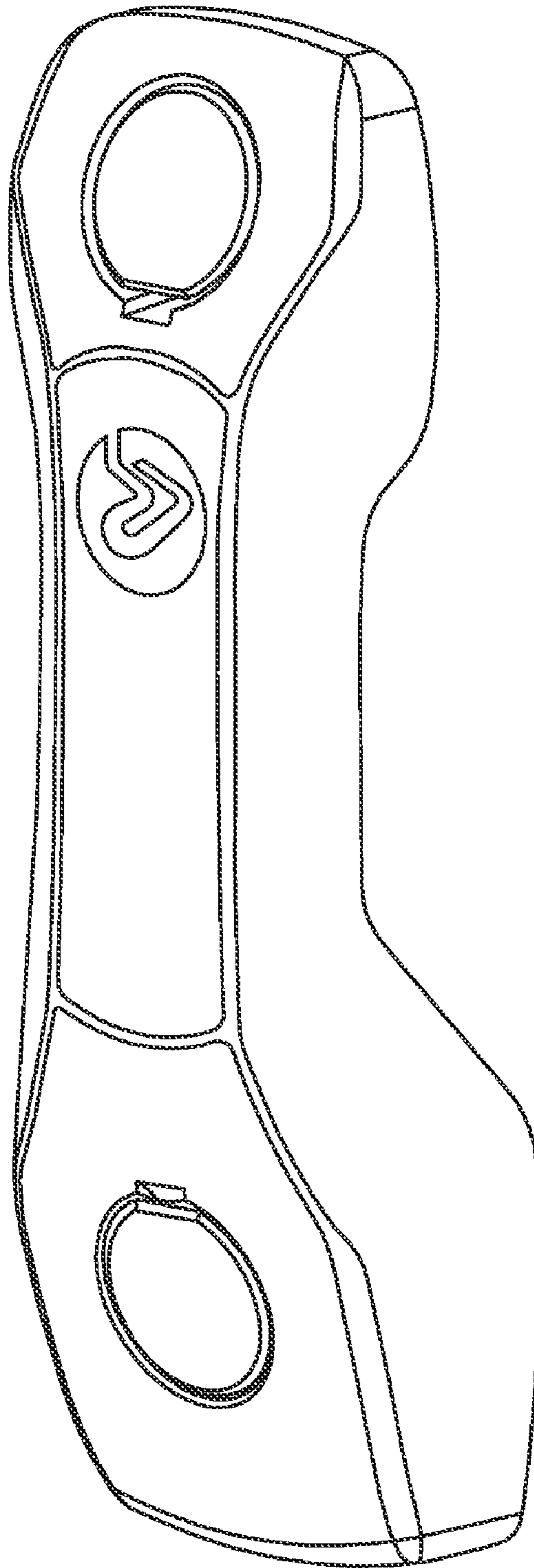


Fig. 1

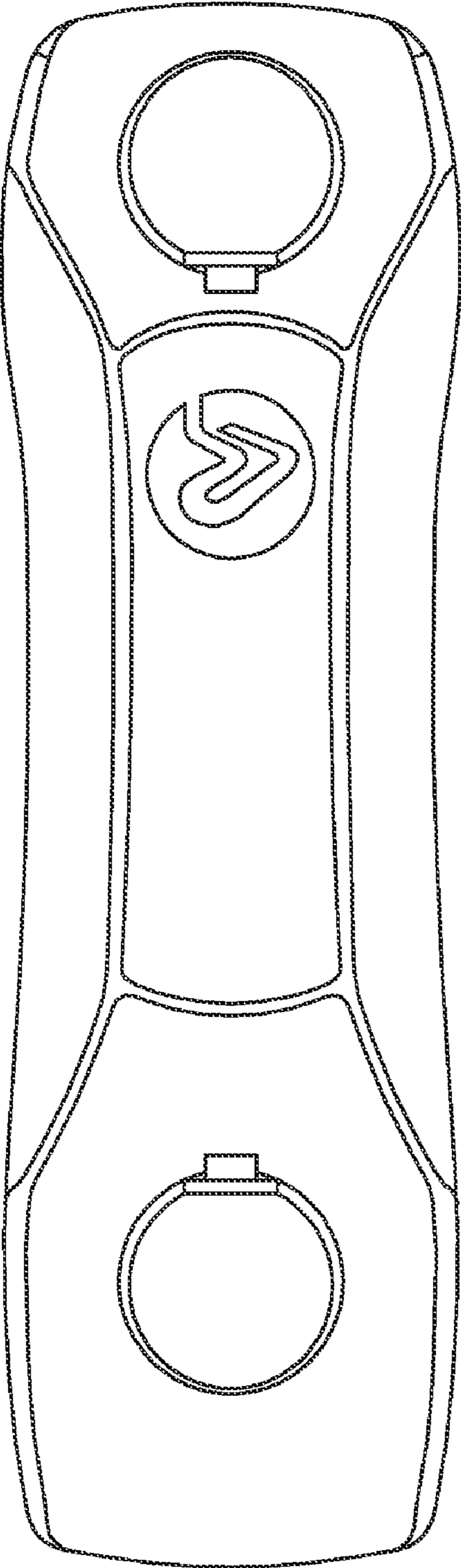


Fig. 2

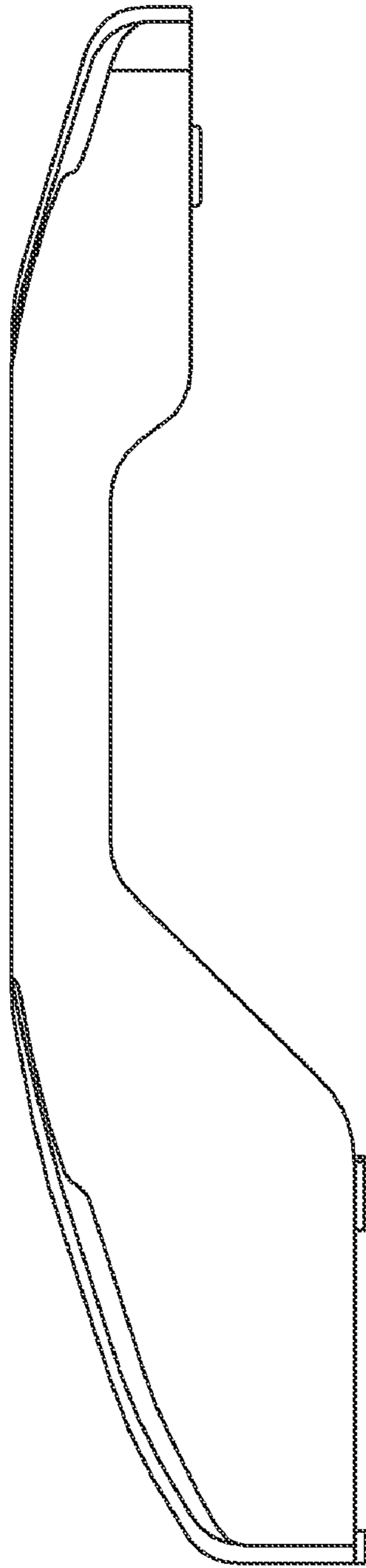


Fig. 3

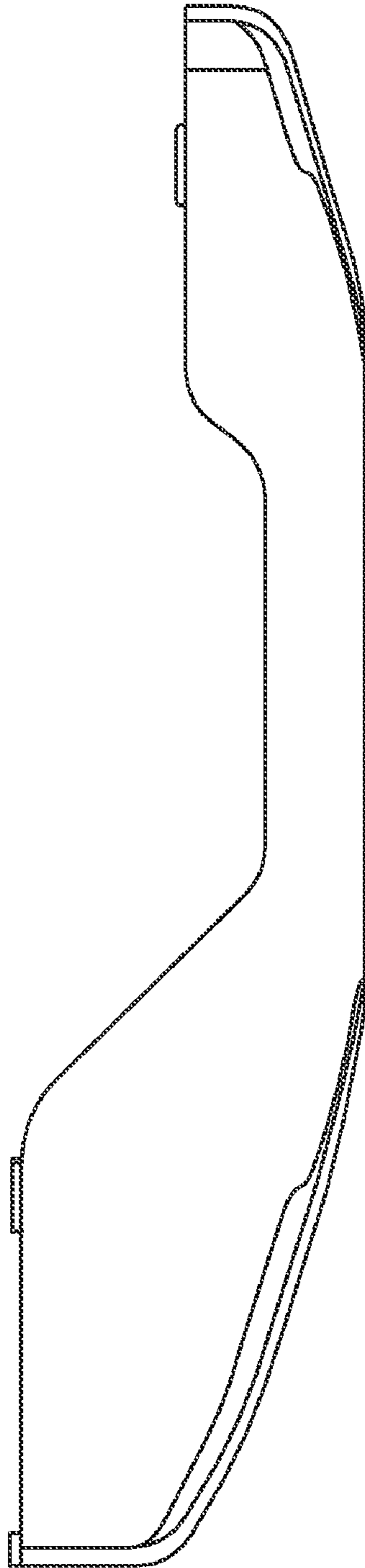


Fig. 4

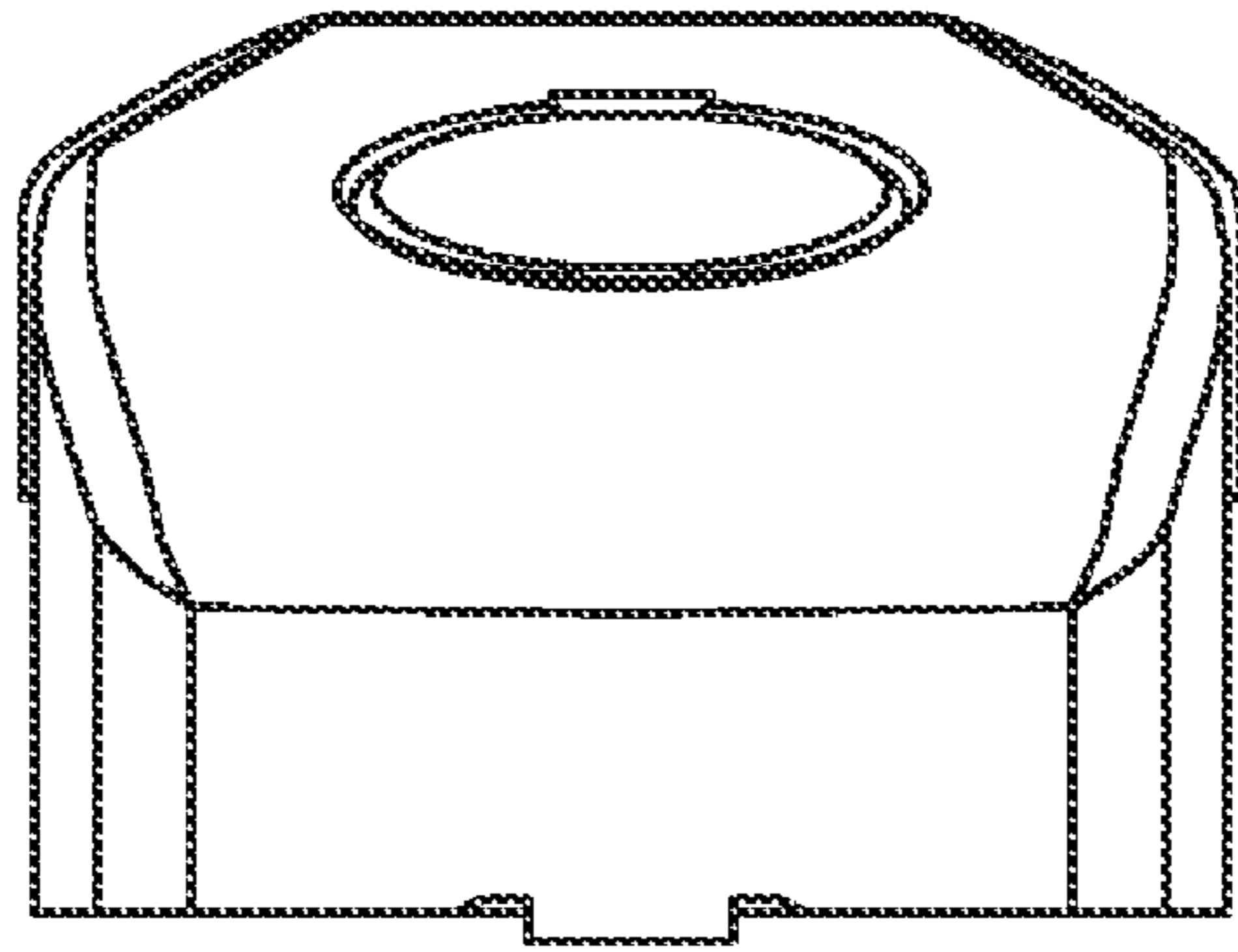


Fig. 5

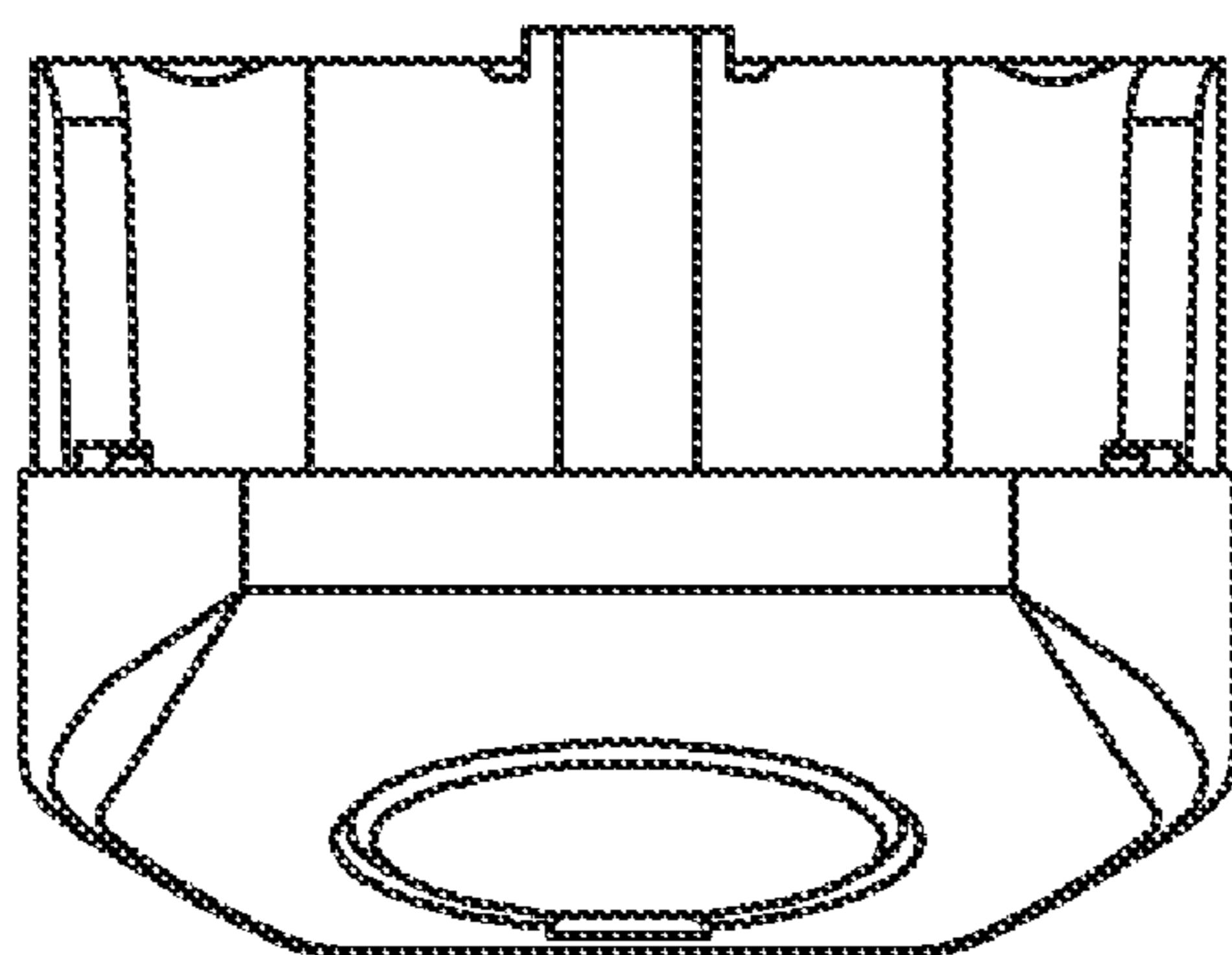


Fig. 6

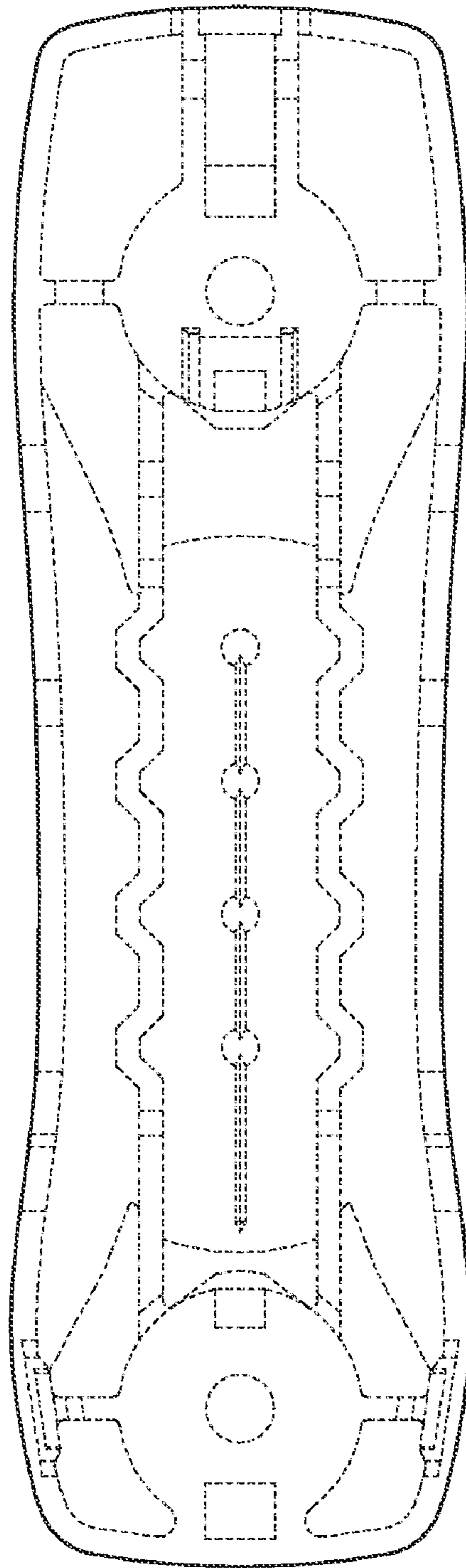


Fig. 7