



US00D600539S

(12) **United States Design Patent**
Bizzell

(10) **Patent No.:** **US D600,539 S**

(45) **Date of Patent:** **** Sep. 22, 2009**

(54) **PICTURE HANGER**

(75) Inventor: **Daniel Lee Bizzell**, Davidson, NC (US)

(73) Assignee: **Edison Nation, LLC**, Charlotte, NC (US)

(**) Term: **14 Years**

(21) Appl. No.: **29/323,204**

(22) Filed: **Aug. 20, 2008**

(51) **LOC (9) Cl.** **08-05**

(52) **U.S. Cl.** **D8/373**

(58) **Field of Classification Search** D8/349,
D8/354, 373; 248/200, 300, 487, 495-497
See application file for complete search history.

(56) **References Cited**

U.S. PATENT DOCUMENTS

351,673 A	10/1886	Vosburgh	
558,548 A	4/1896	Cave	
779,433 A	1/1905	Long	
822,048 A	5/1906	Horinko	
980,295 A	1/1911	Lee	
994,511 A	6/1911	Gross	
1,043,448 A	11/1912	Marshcall	
1,057,484 A	4/1913	Huber	
1,107,686 A	8/1914	Mehrmann	
1,423,433 A	7/1922	Ketchem	
1,433,178 A	10/1922	Chase	
1,600,816 A *	9/1926	Harbert	248/300
2,496,990 A	2/1950	Downing	
2,522,901 A	9/1950	Schrager et al.	
2,632,971 A	3/1953	Manczek et al.	
2,661,560 A	12/1953	Malby	
2,681,194 A	6/1954	Halvorsen	
2,697,572 A	12/1954	Pfankuch	
2,709,055 A *	5/1955	Harty	248/498
2,877,972 A	3/1959	Sutton et al.	
2,939,661 A	6/1960	Waller et al.	
2,975,994 A	3/1961	Goss	
2,983,473 A	5/1961	Waller et al.	
3,241,796 A	3/1966	Asher et al.	
3,251,569 A	5/1966	Rynearson	

3,252,236 A	5/1966	Davis	
3,298,655 A *	1/1967	Palm	248/498
3,612,469 A	10/1971	Dennis	
3,636,669 A	1/1972	Atkisson	
3,676,944 A	7/1972	Eubank	
3,788,588 A	1/1974	Tendler	
3,895,775 A	7/1975	Norton	

(Continued)

Primary Examiner—Holly H Baynham

(74) Attorney, Agent, or Firm—Tillman Wright, PLLC; Chad D. Tillman; James D. Wright

(57) **CLAIM**

The ornamental design for an picture hanger, as shown and described.

DESCRIPTION

FIG. 1 is a front isometric view of an picture hanger in accordance with an embodiment of the present invention.

FIG. 2 is a front view of the picture hanger of FIG. 1.

FIG. 3 is a left view of the picture hanger of FIG. 1.

FIG. 4 is a right view of the picture hanger of FIG. 1.

FIG. 5 is a top view of the picture hanger of FIG. 1.

FIG. 6 is a bottom view of the picture hanger of FIG. 1.

FIG. 7 is a rear view of the picture hanger of FIG. 1.

FIG. 8 is a front isometric view of an picture hanger in accordance with an alternative embodiment of the present invention.

FIG. 9 is a front view of the picture hanger of FIG. 8.

FIG. 10 is a left view of the picture hanger of FIG. 8.

FIG. 11 is a right view of the picture hanger of FIG. 8.

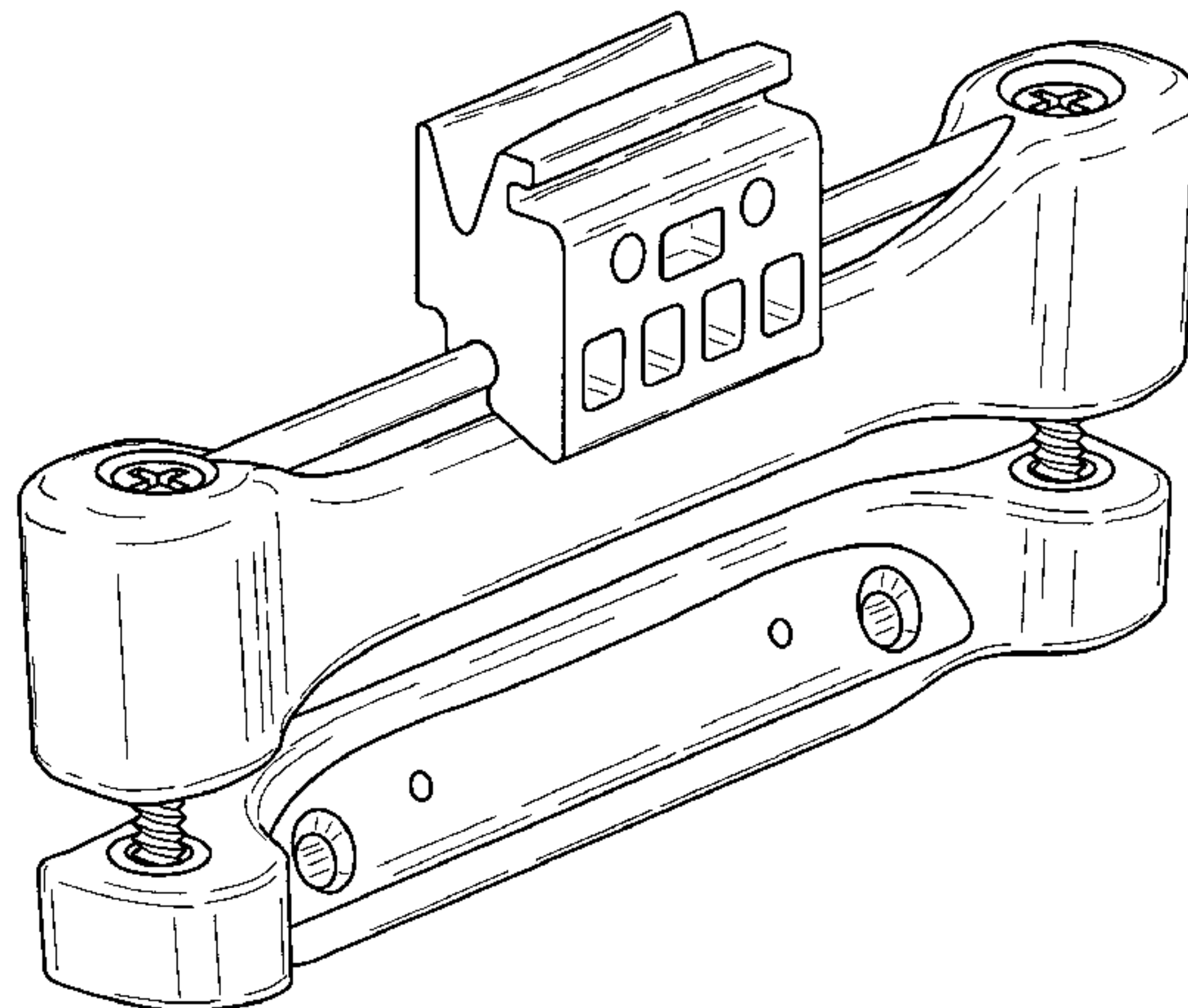
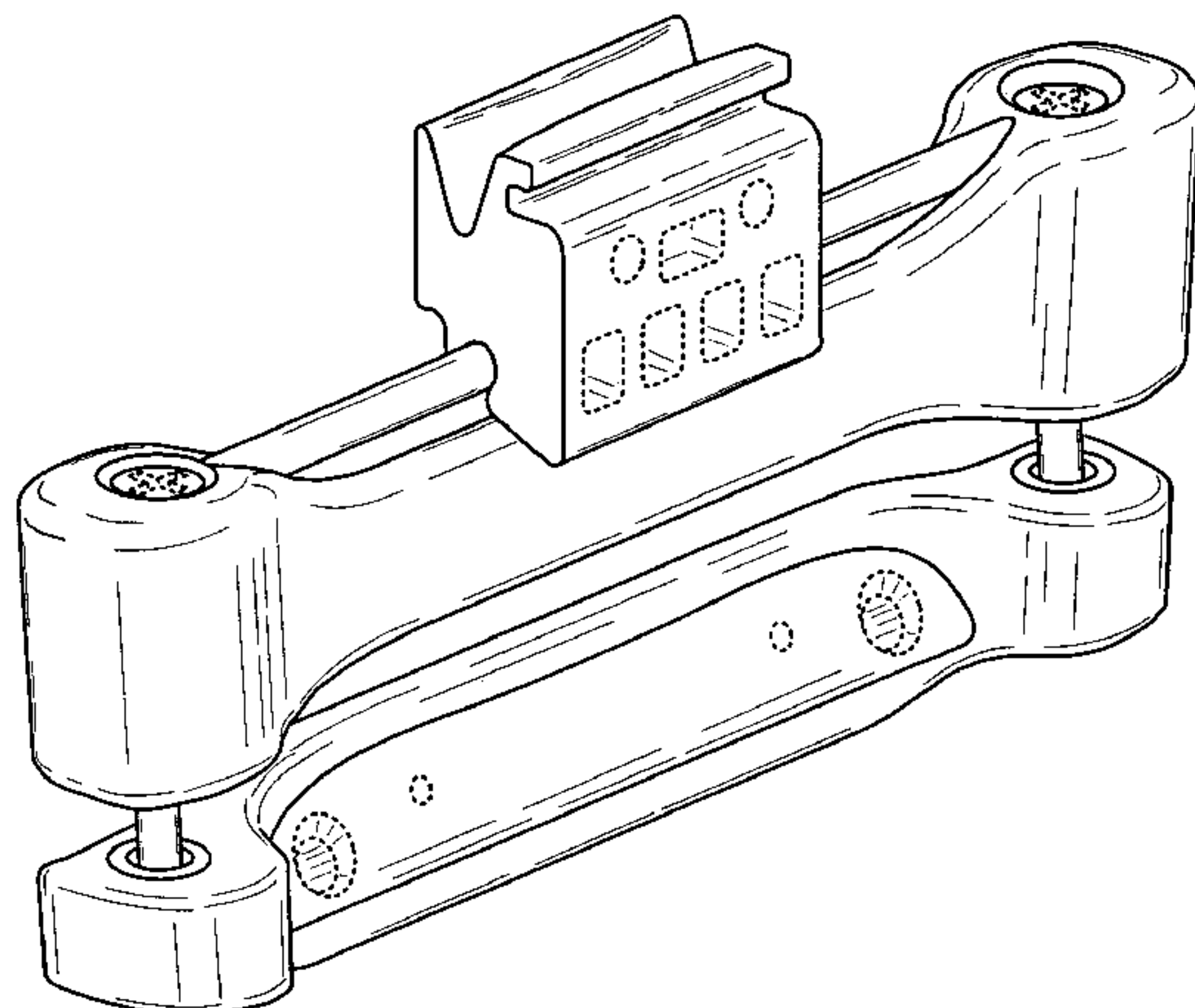
FIG. 12 is a top view of the picture hanger of FIG. 8.

FIG. 13 is a bottom view of the picture hanger of FIG. 8; and,

FIG. 14 is a rear view of the picture hanger of FIG. 8.

The broken lines shown in the drawings are for illustrative purposes only and form no part of the claimed design.

1 Claim, 10 Drawing Sheets



US D600,539 S

Page 2

U.S. PATENT DOCUMENTS					
			5,365,682 A	11/1994	Eubank
			5,437,429 A	8/1995	Atlas
			5,441,230 A	8/1995	Sambleson
3,955,790 A	5/1976	Ballin	5,603,475 A	2/1997	Lim
4,069,998 A	1/1978	Rytting	5,806,826 A	9/1998	Lemire
4,162,056 A	7/1979	Moorhead	5,878,987 A	3/1999	Hayde
4,364,538 A	12/1982	Tomlinson	5,931,439 A	8/1999	Lemire
4,385,744 A	5/1983	Sherman et al.	5,947,438 A	9/1999	Lemire
4,458,872 A *	7/1984	Couch 248/497	5,961,090 A	10/1999	Parkin
4,566,665 A	1/1986	Rynearson	6,062,525 A	5/2000	Lemire
4,611,779 A	9/1986	Leonard	6,138,968 A	10/2000	Svantesson et al.
4,712,761 A	12/1987	Wassell	6,241,210 B1	6/2001	Brindisi
4,775,129 A	10/1988	Gleisten	6,334,602 B1	1/2002	Clarke
4,858,351 A	8/1989	Sewell et al.	6,354,031 B1	3/2002	Meur
4,863,135 A	9/1989	Mellor et al.	6,405,466 B1	6/2002	Lemire
4,892,284 A	1/1990	Kelrick	7,011,283 B2	3/2006	Lemire
4,973,021 A	11/1990	Schuite	2008/0067316 A1	3/2008	Lemire
5,050,324 A	9/1991	Casull			
5,069,411 A	12/1991	Murphy			
5,082,230 A	1/1992	Chang			

* cited by examiner

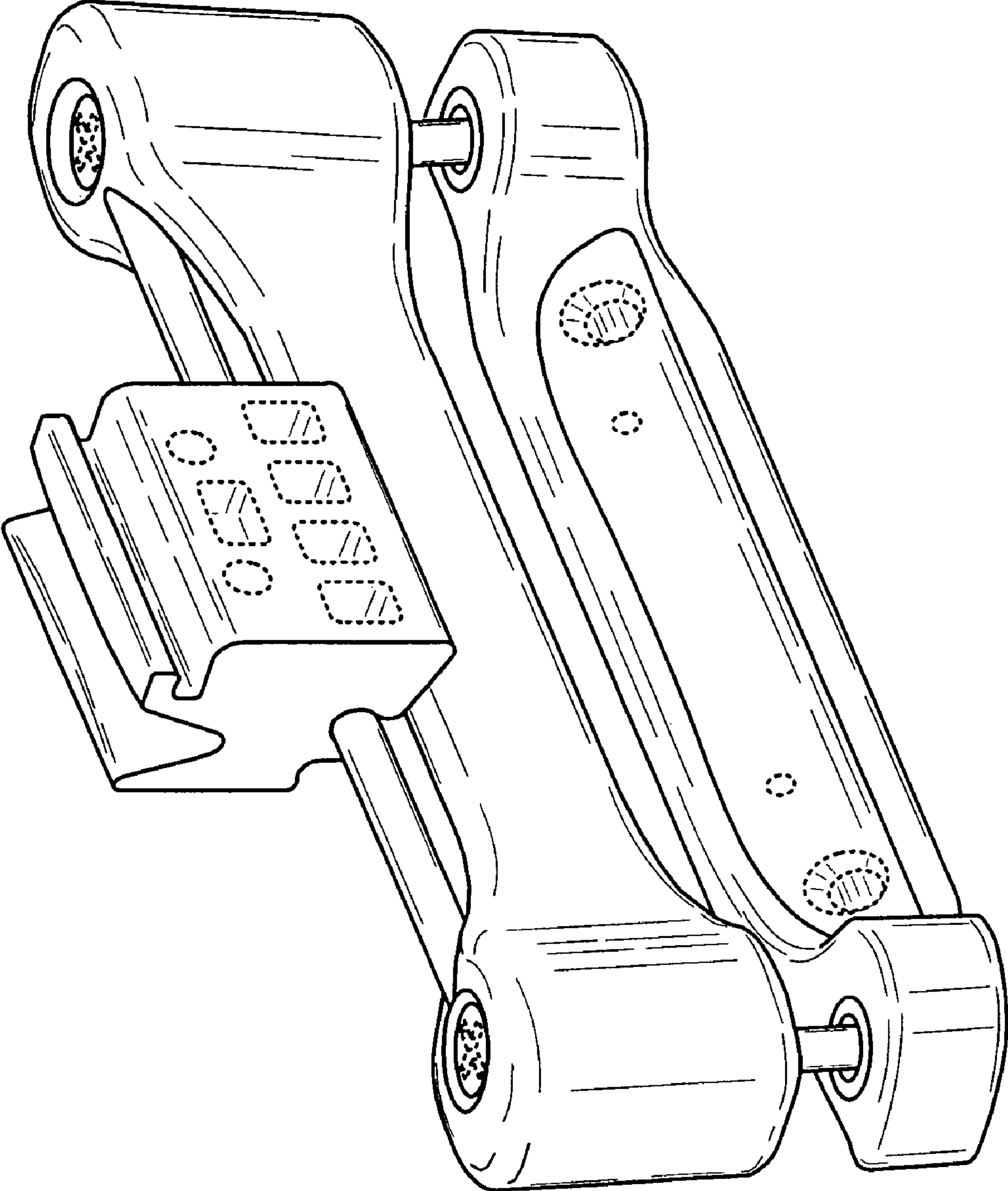


FIG. 1

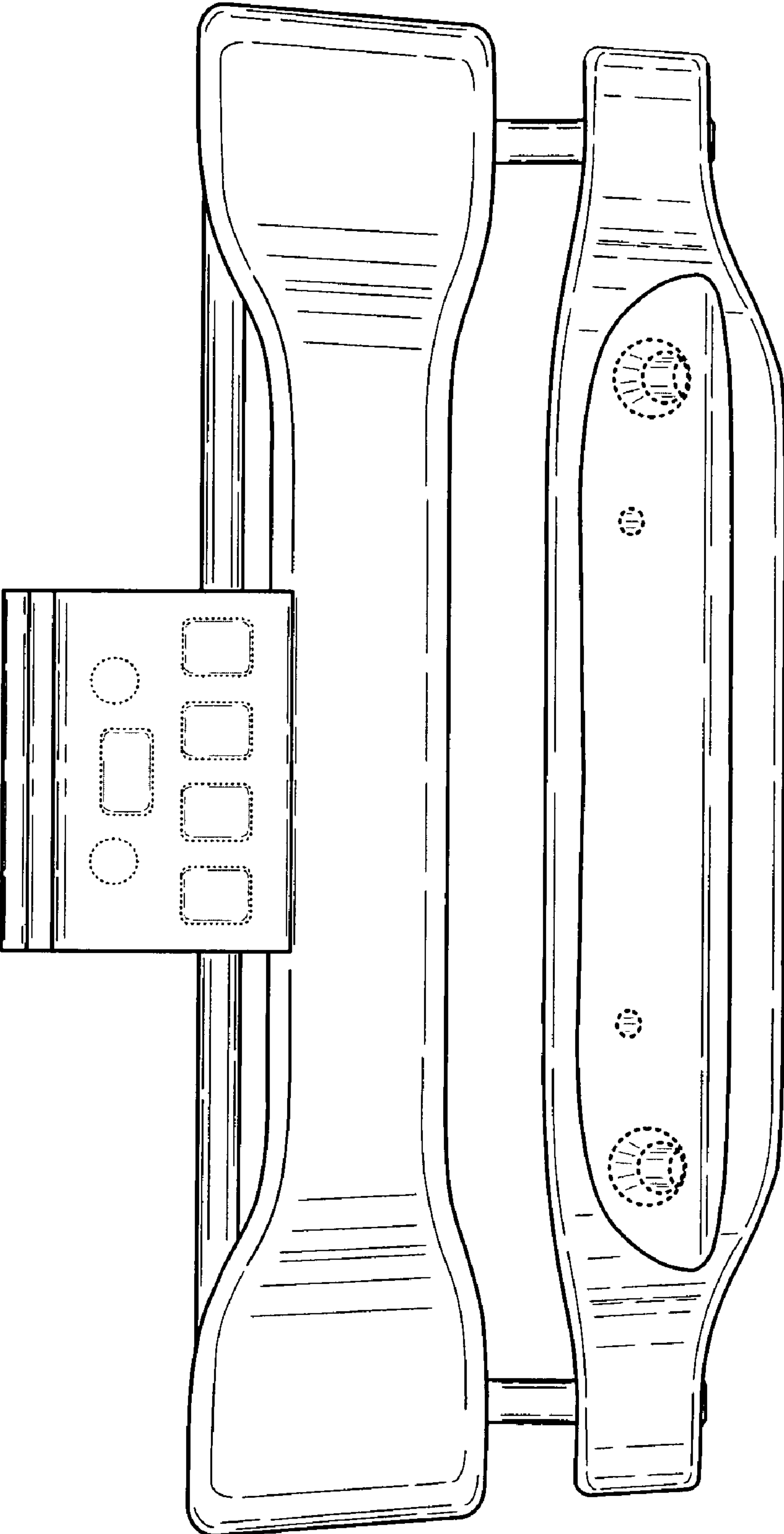


FIG. 2

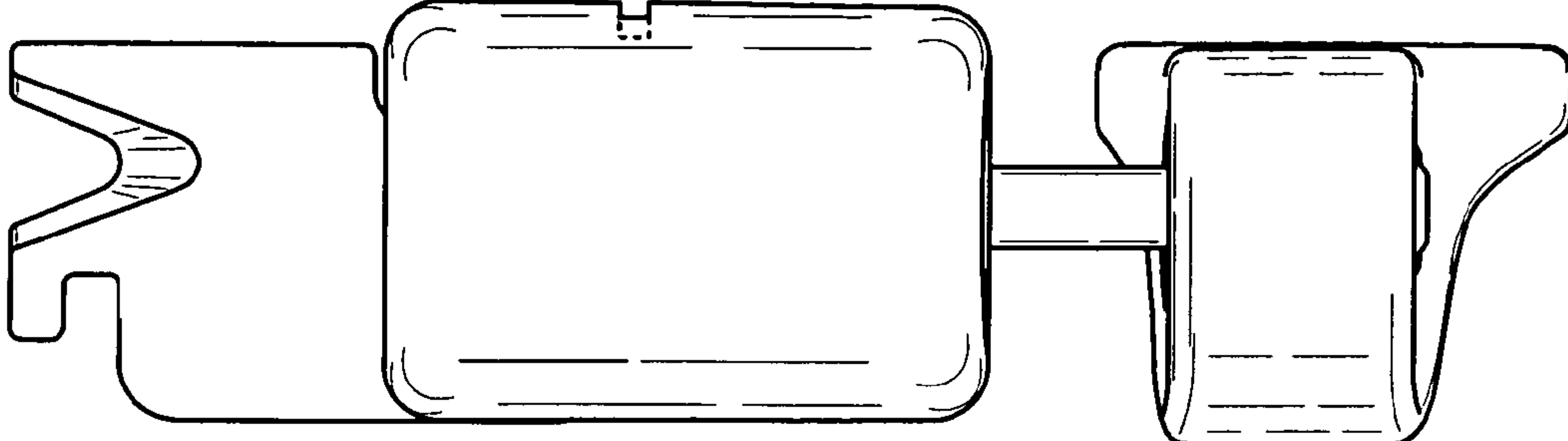


FIG. 4

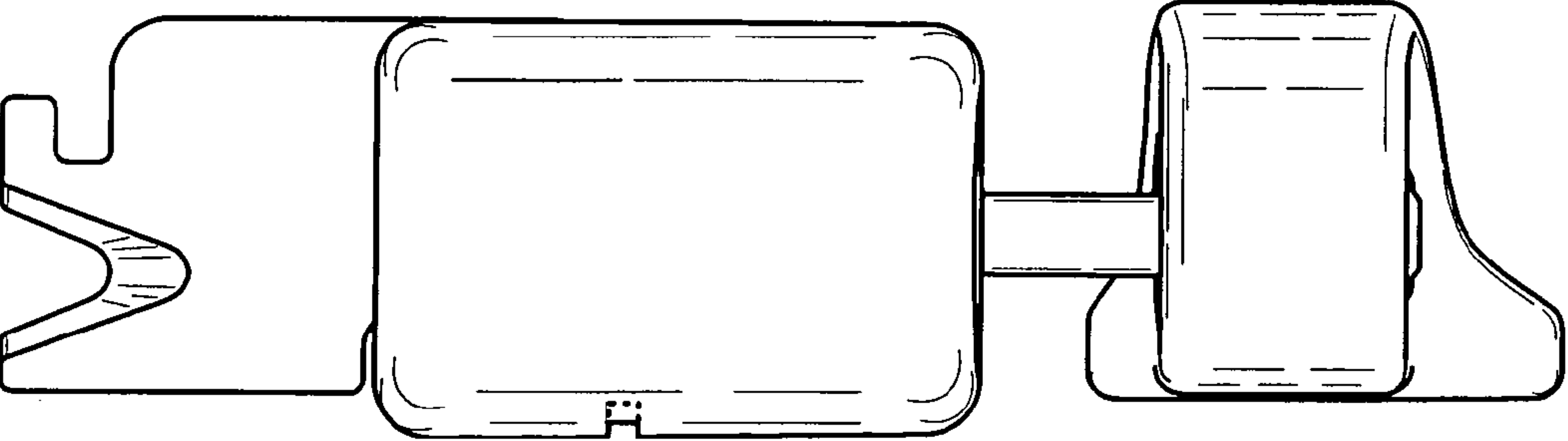


FIG. 3

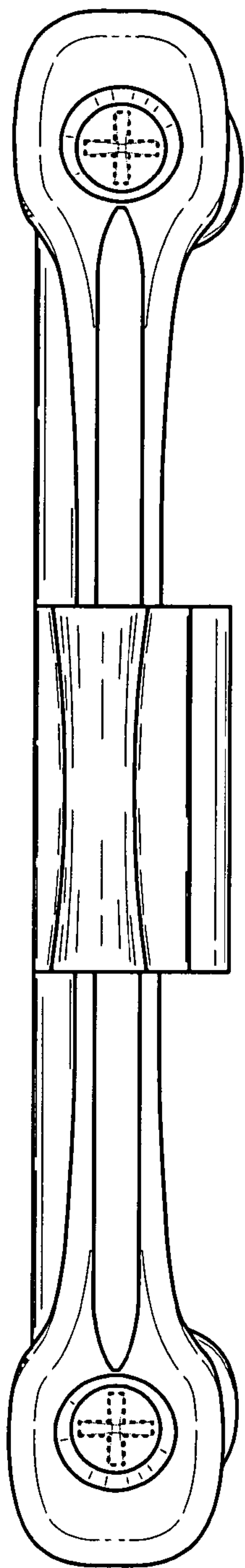


FIG. 5

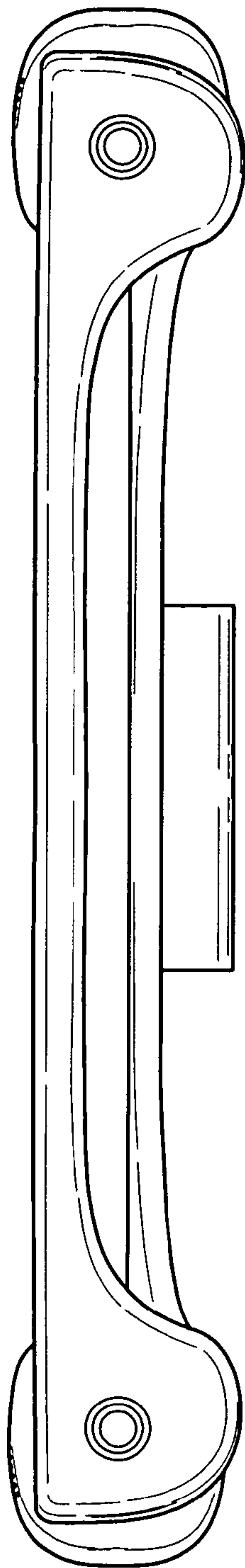


FIG. 6

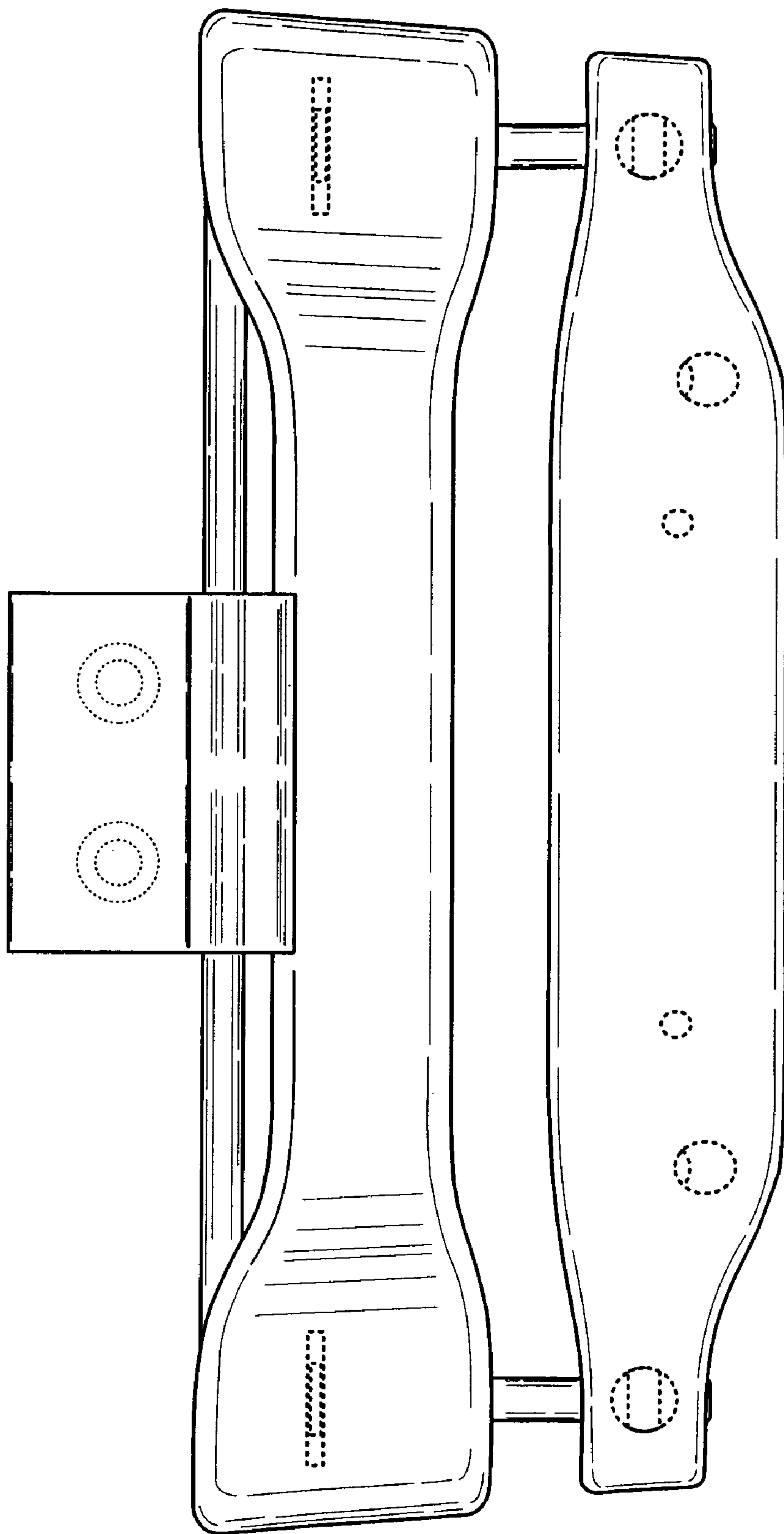


FIG. 7

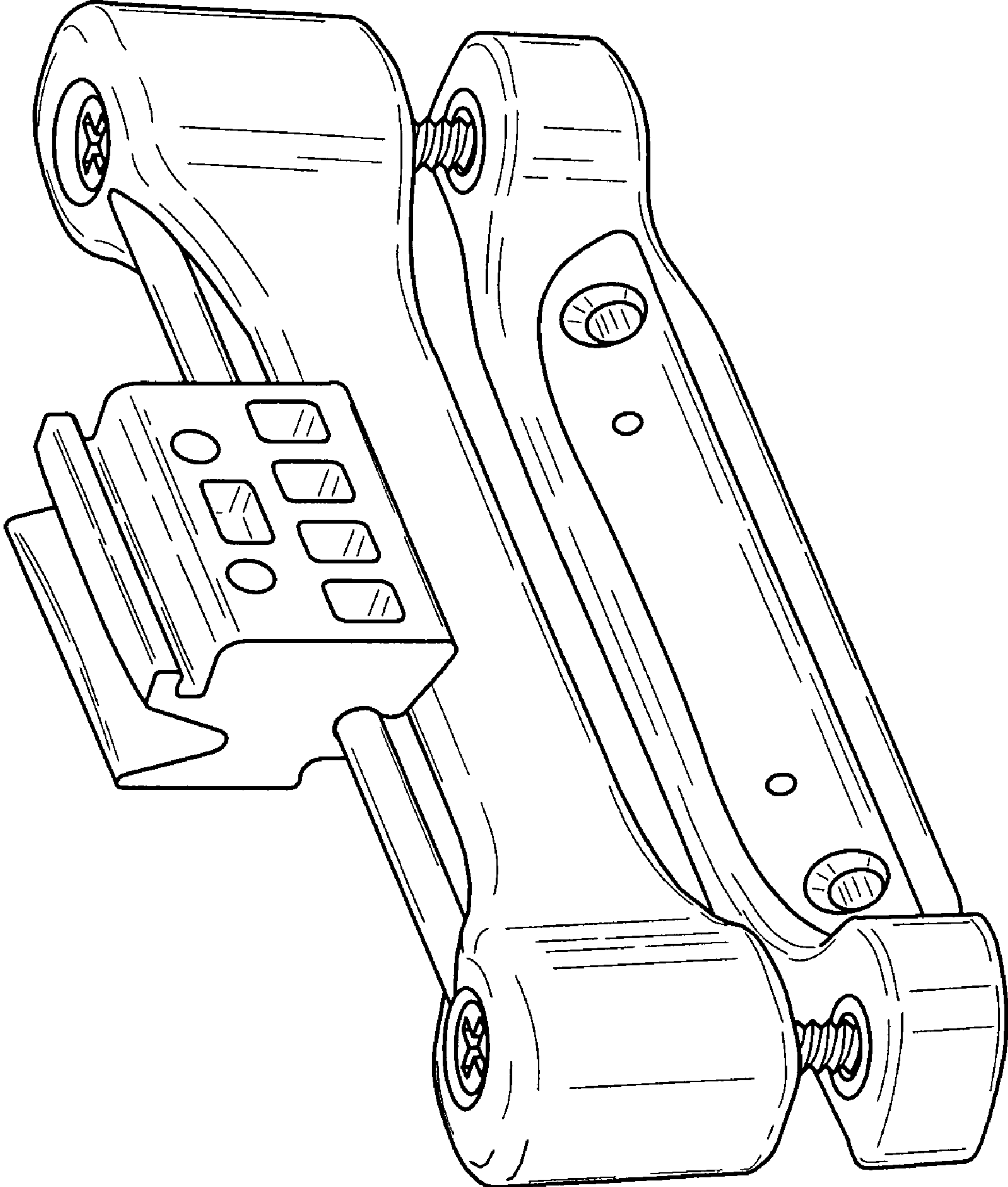


FIG. 8

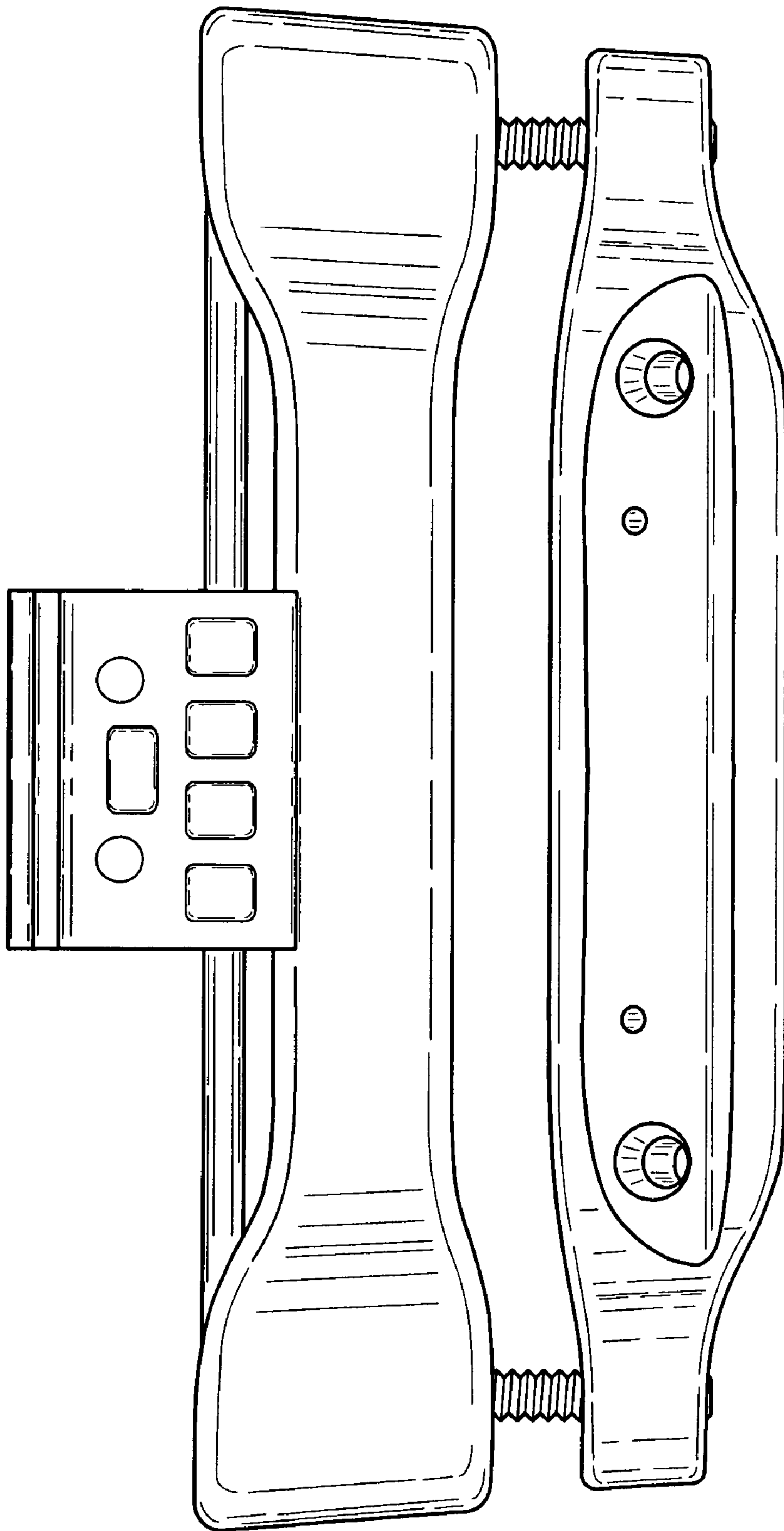


FIG. 9



FIG. 11

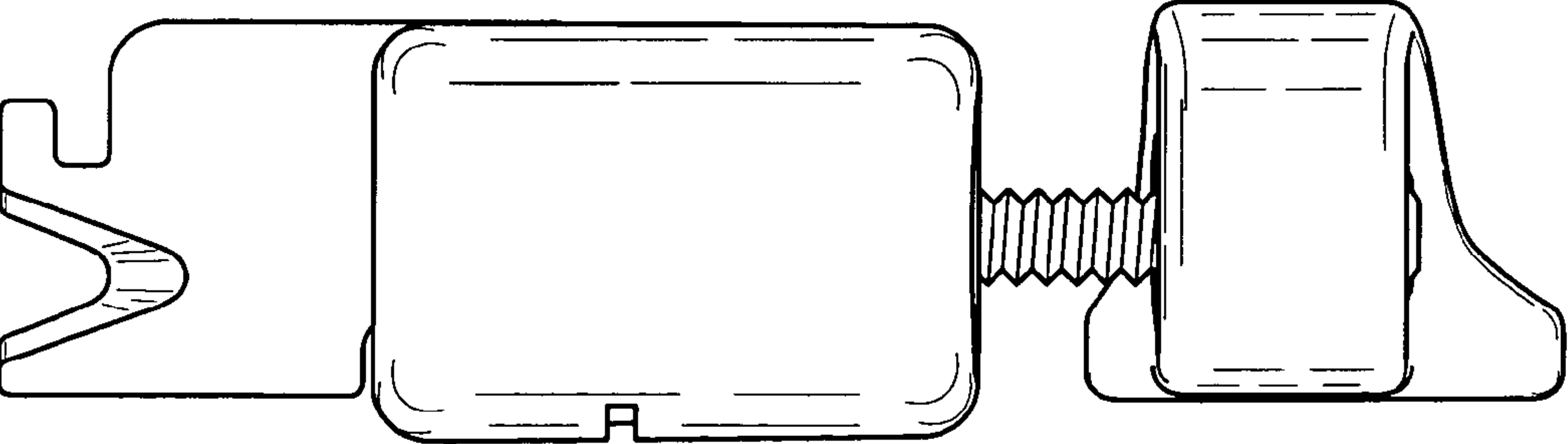


FIG. 10

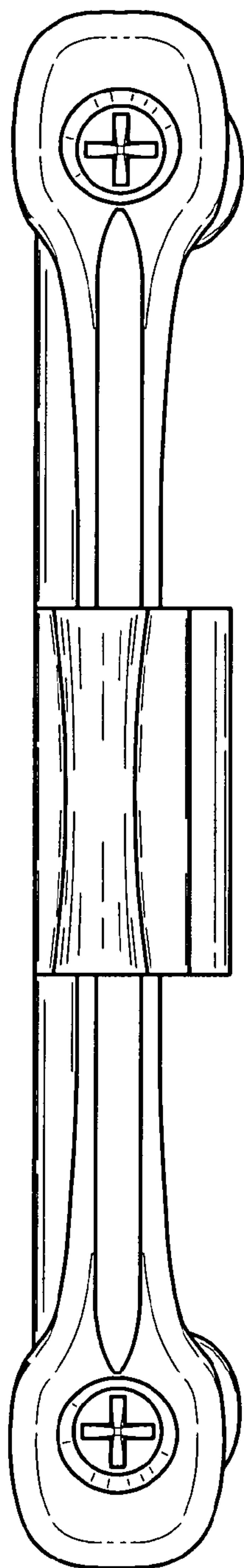


FIG. 12

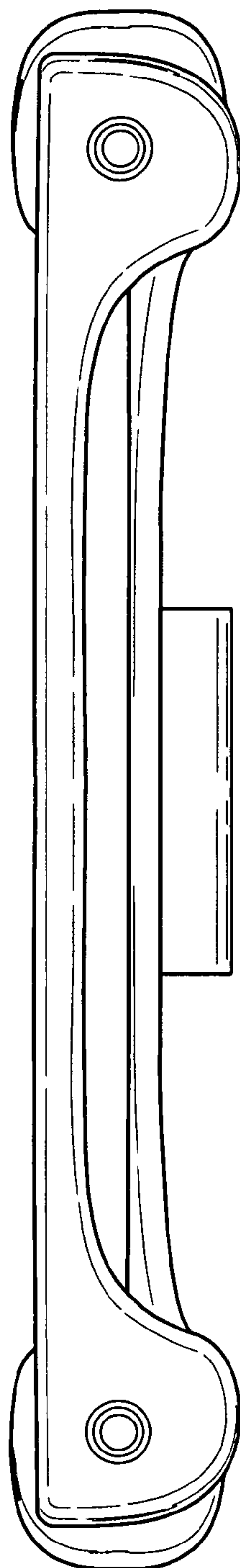


FIG. 13

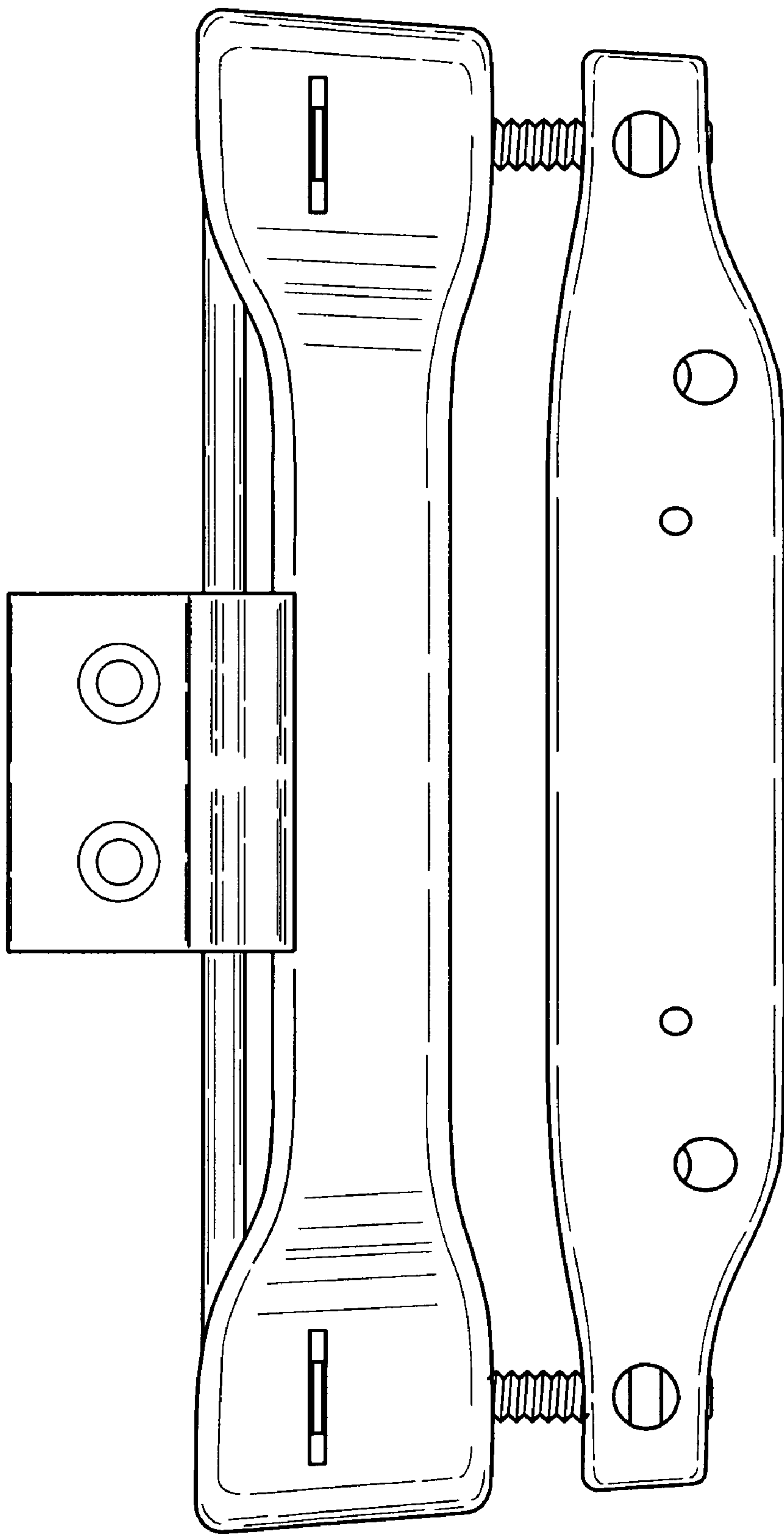


FIG. 14