



US00D600535S

(12) **United States Design Patent**
Rix

(10) **Patent No.:** **US D600,535 S**

(45) **Date of Patent:** **** Sep. 22, 2009**

(54) **CORNER CAMERA MOUNT**

(75) Inventor: **John F. Rix**, Tucson, AZ (US)

(73) Assignee: **IPVision, Inc.**, Tucson, AZ (US)

(**) Term: **14 Years**

(21) Appl. No.: **29/329,664**

(22) Filed: **Dec. 18, 2008**

(51) **LOC (9) Cl.** **08-05**

(52) **U.S. Cl.** **D8/354**

(58) **Field of Classification Search** D8/349,
D8/354, 366, 382; D25/68, 119, 121, 126,
D25/133; 248/205.1, 247, 248, 309.1; 52/696
See application file for complete search history.

(56) **References Cited**

U.S. PATENT DOCUMENTS

- D288,407 S * 2/1987 St. Alban D8/354
- D322,551 S * 12/1991 Tosevski D8/349
- D342,011 S * 12/1993 Maguire D8/349
- D432,671 S * 10/2000 Grosfillex D25/119
- D476,550 S * 7/2003 Jorgensen D8/354

D579,321 S * 10/2008 Townley D8/354

* cited by examiner

Primary Examiner—Holly H Baynham

Assistant Examiner—Cynthia M Chin

(74) *Attorney, Agent, or Firm*—Hayes Soloway P.C.

(57) **CLAIM**

The ornamental design for a corner camera mount, as shown and described.

DESCRIPTION

FIG. 1 is a perspective view of a corner camera mount in accordance with my invention;

FIG. 2 is a front elevational view thereof;

FIG. 3 is a rear elevational view thereof;

FIG. 4 is a left side elevational view thereof;

FIG. 5 is a right side elevational view thereof;

FIG. 6 is a top end view thereof; and,

FIG. 7 is a bottom end view thereof.

The broken lines shown in FIGS. 6 & 7 represent portions of the design that form no part of the claim.

1 Claim, 7 Drawing Sheets

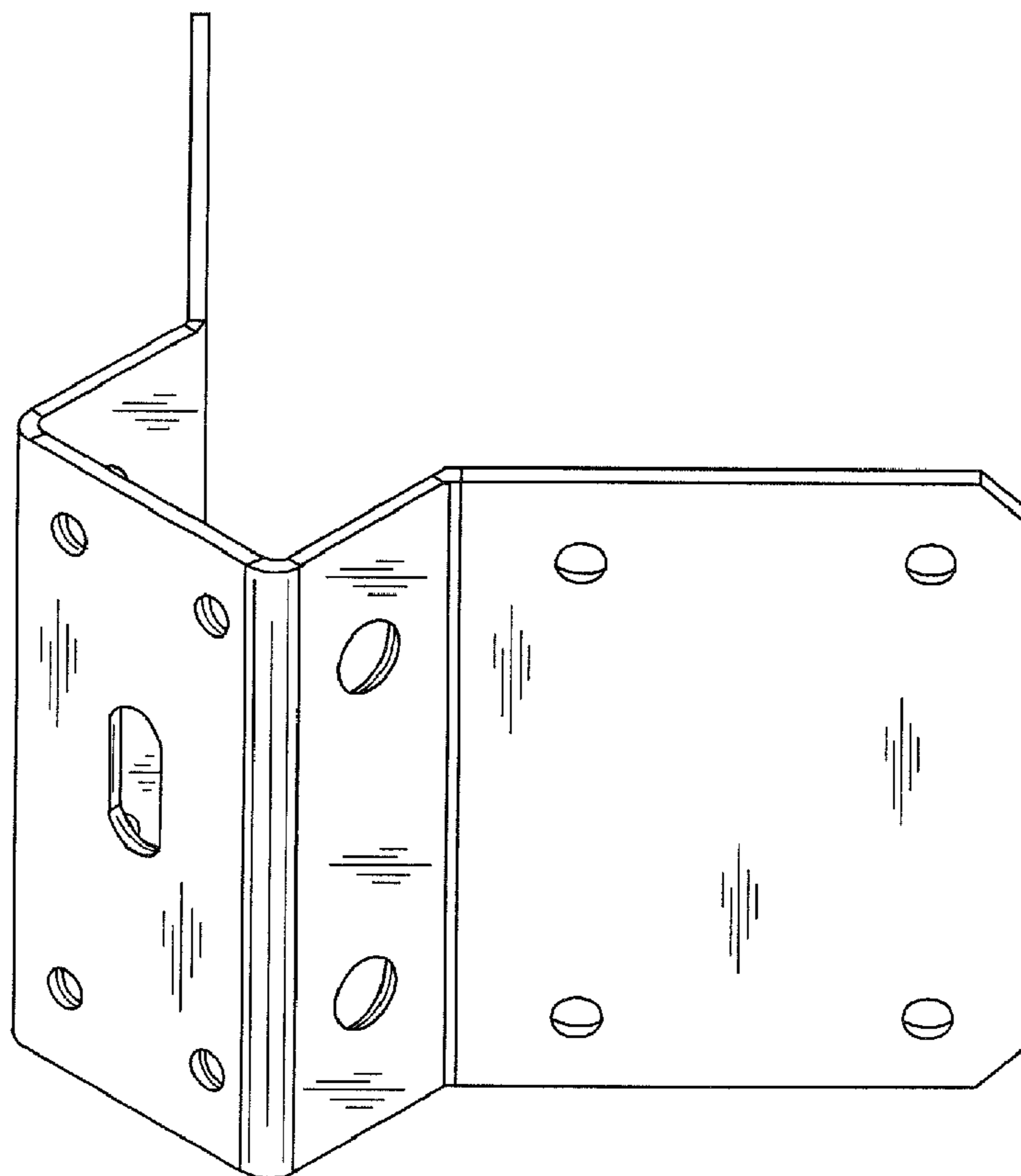


FIG. 1

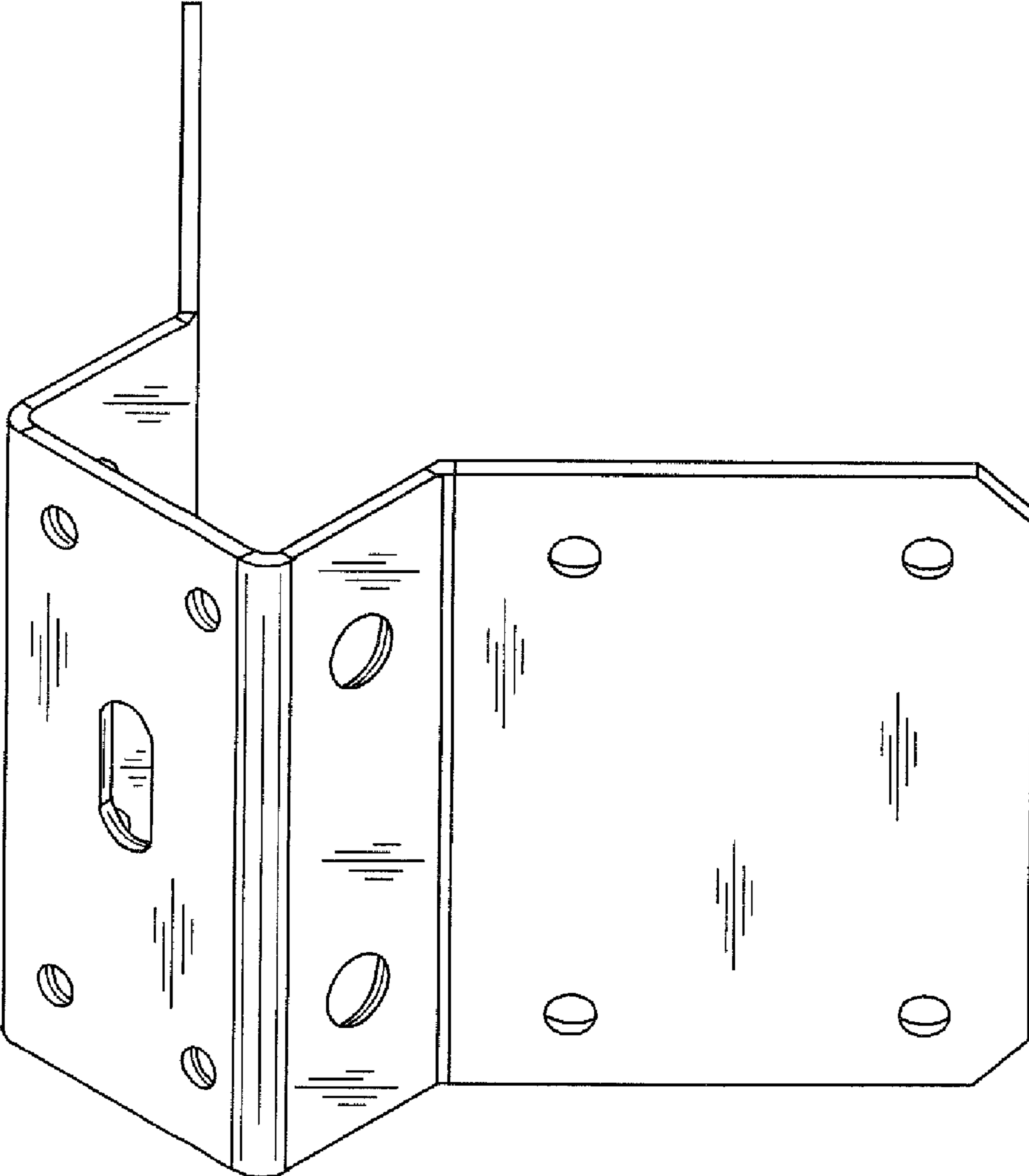


FIG. 2

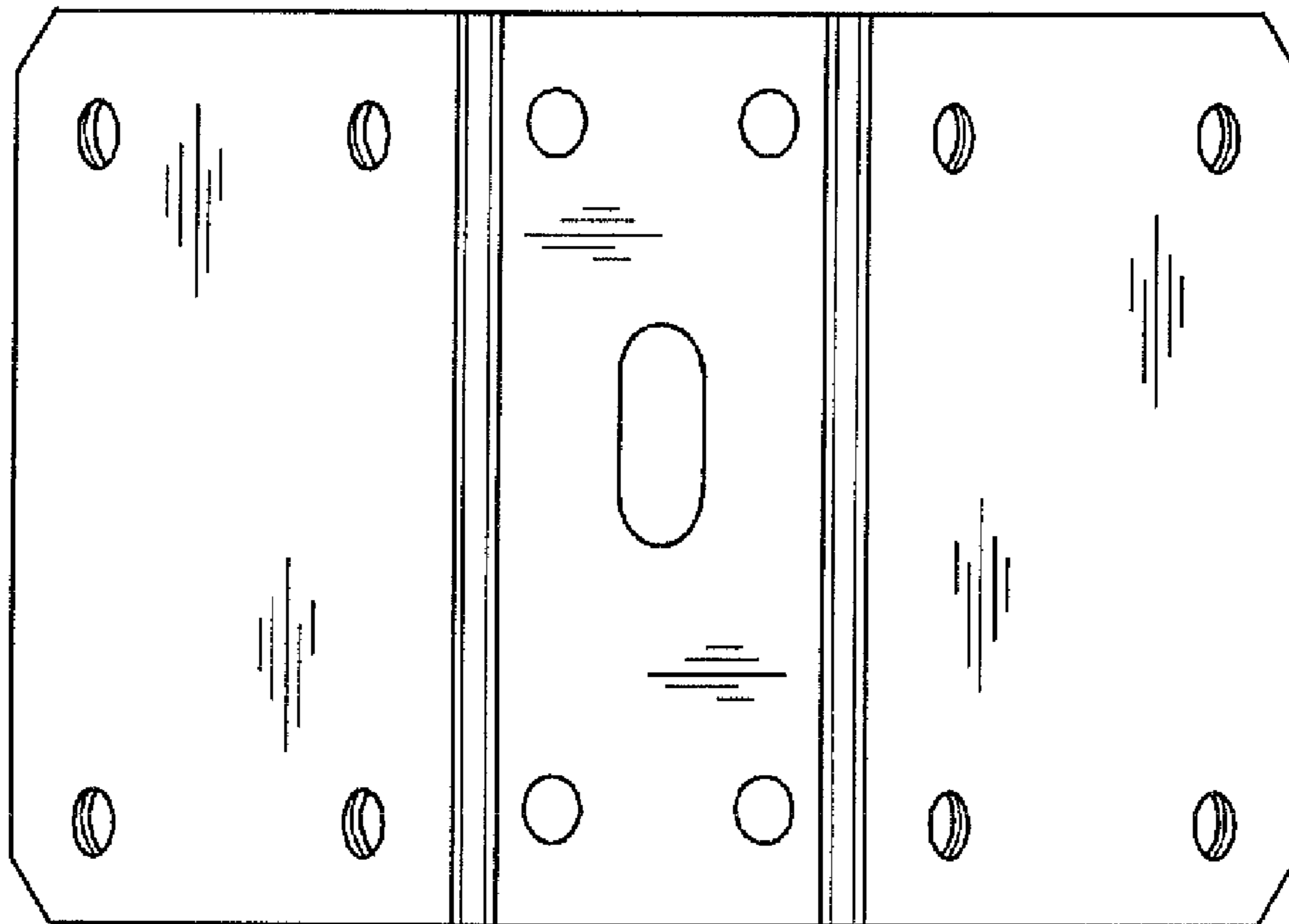


FIG. 3

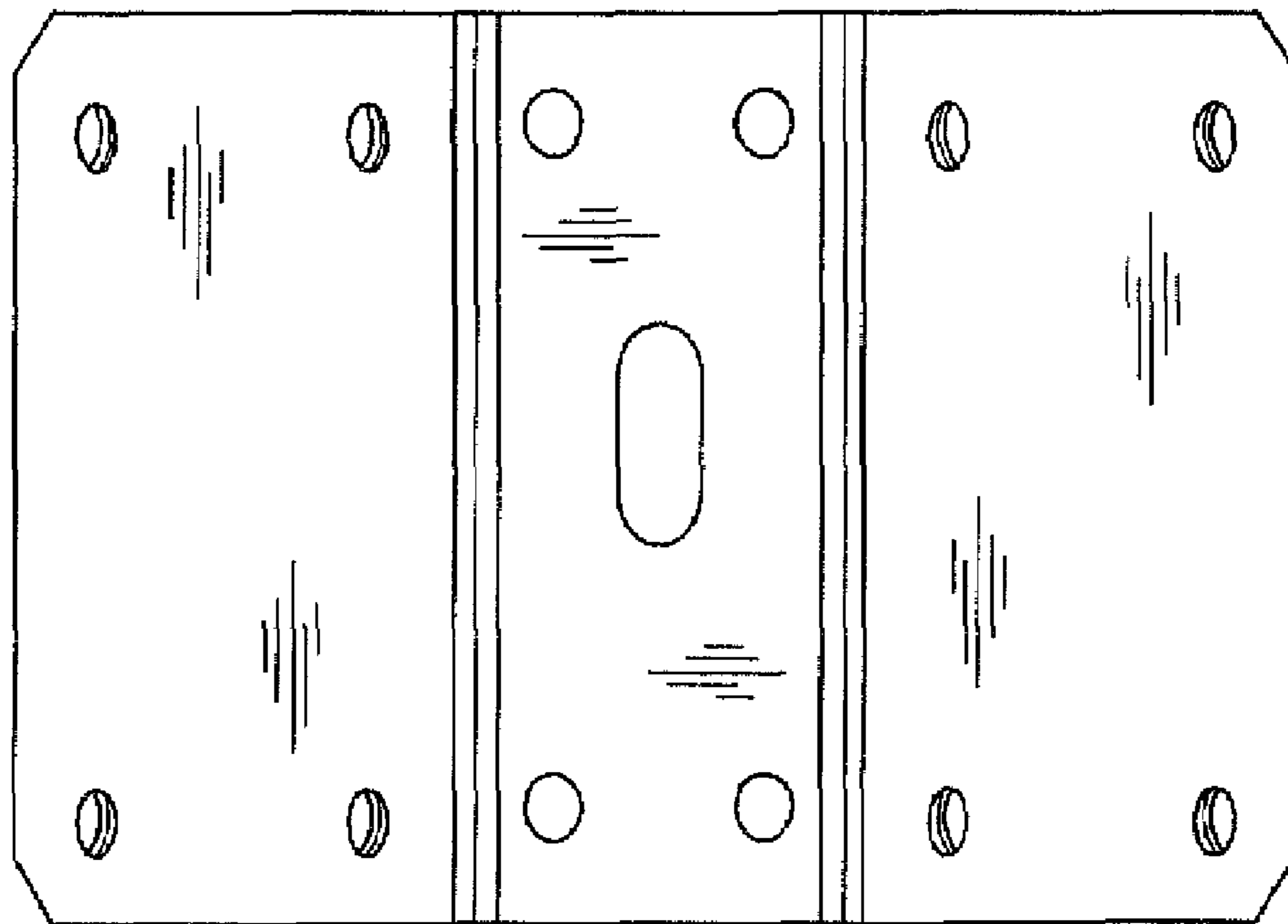


FIG. 4

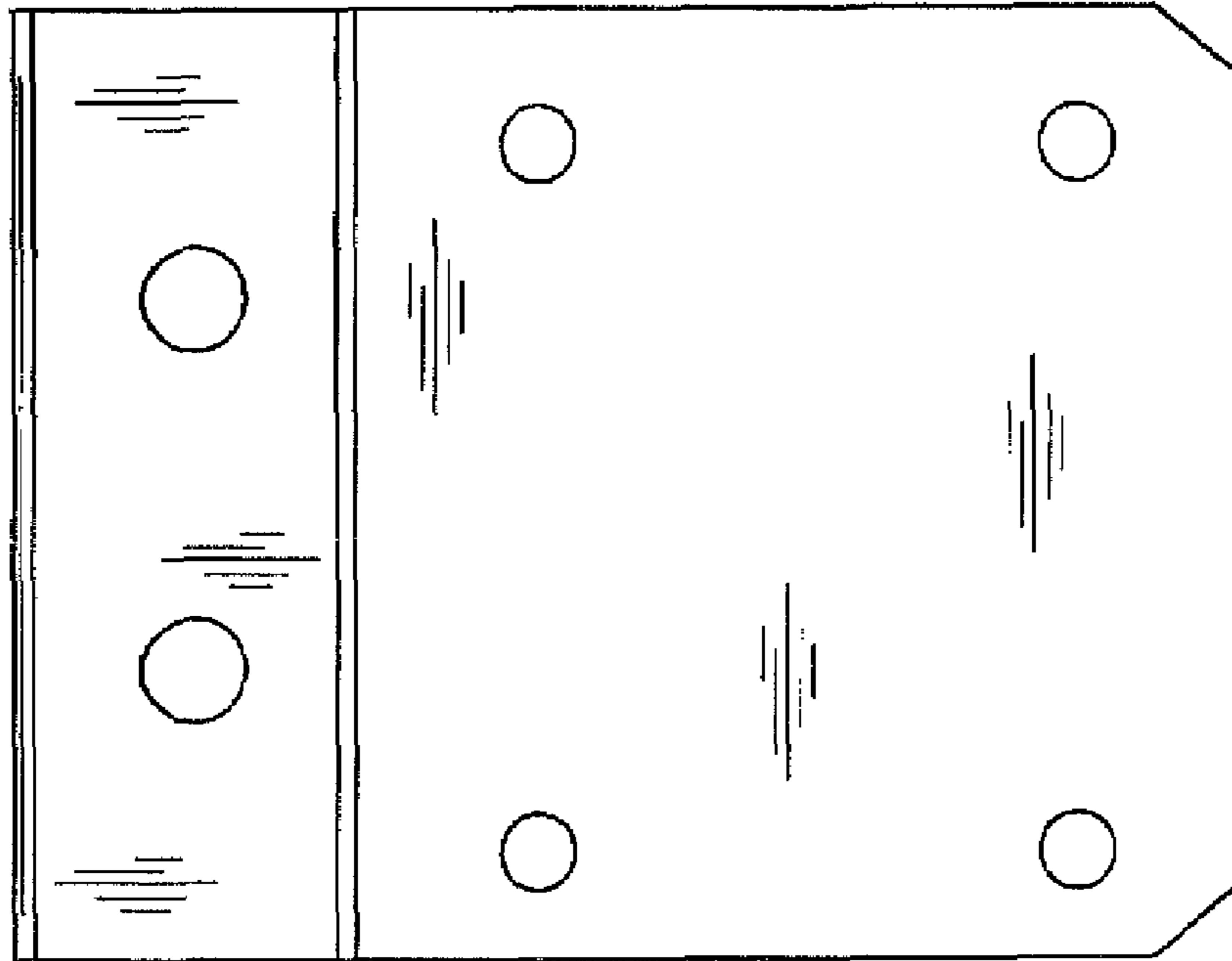


FIG. 5

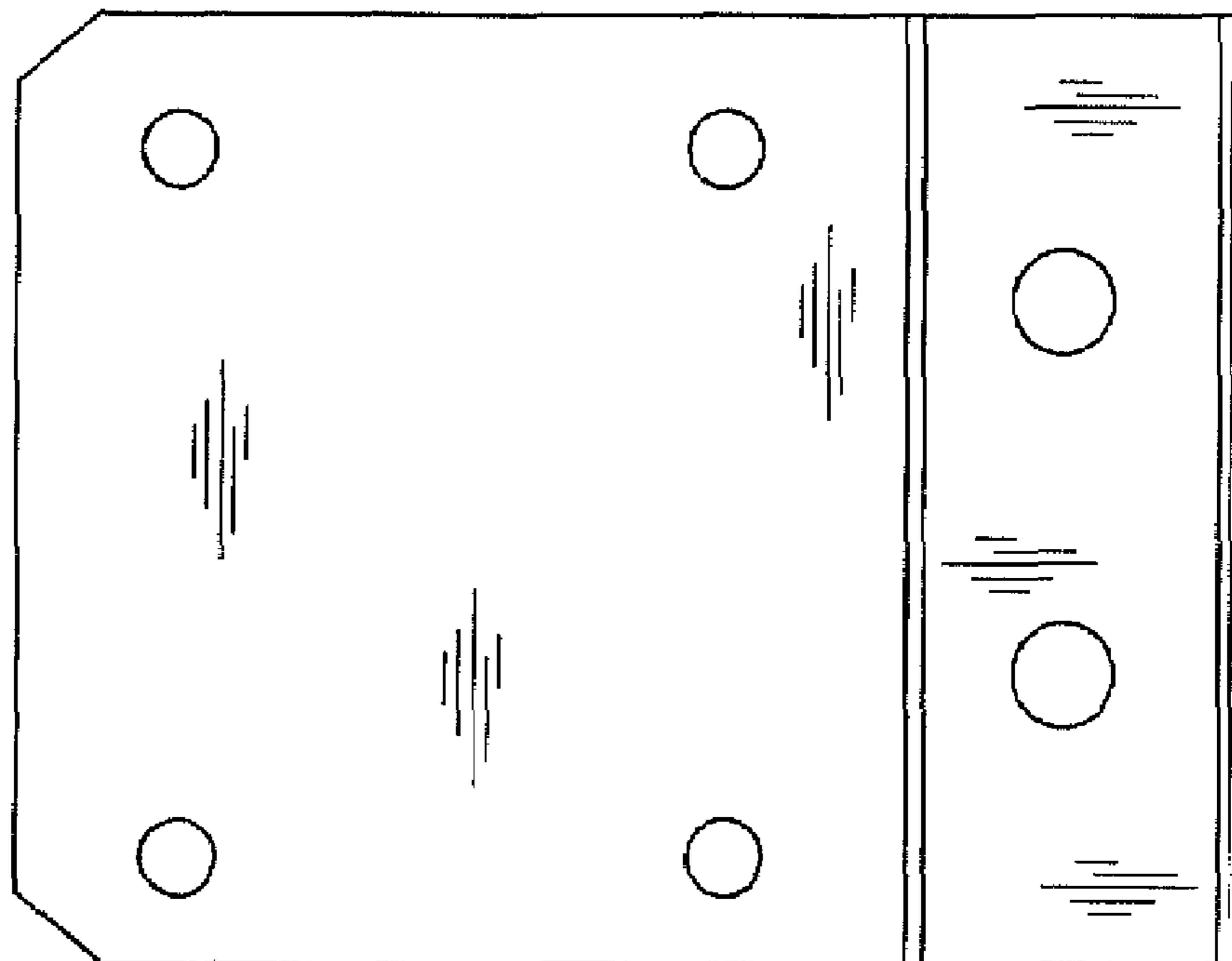


FIG. 6

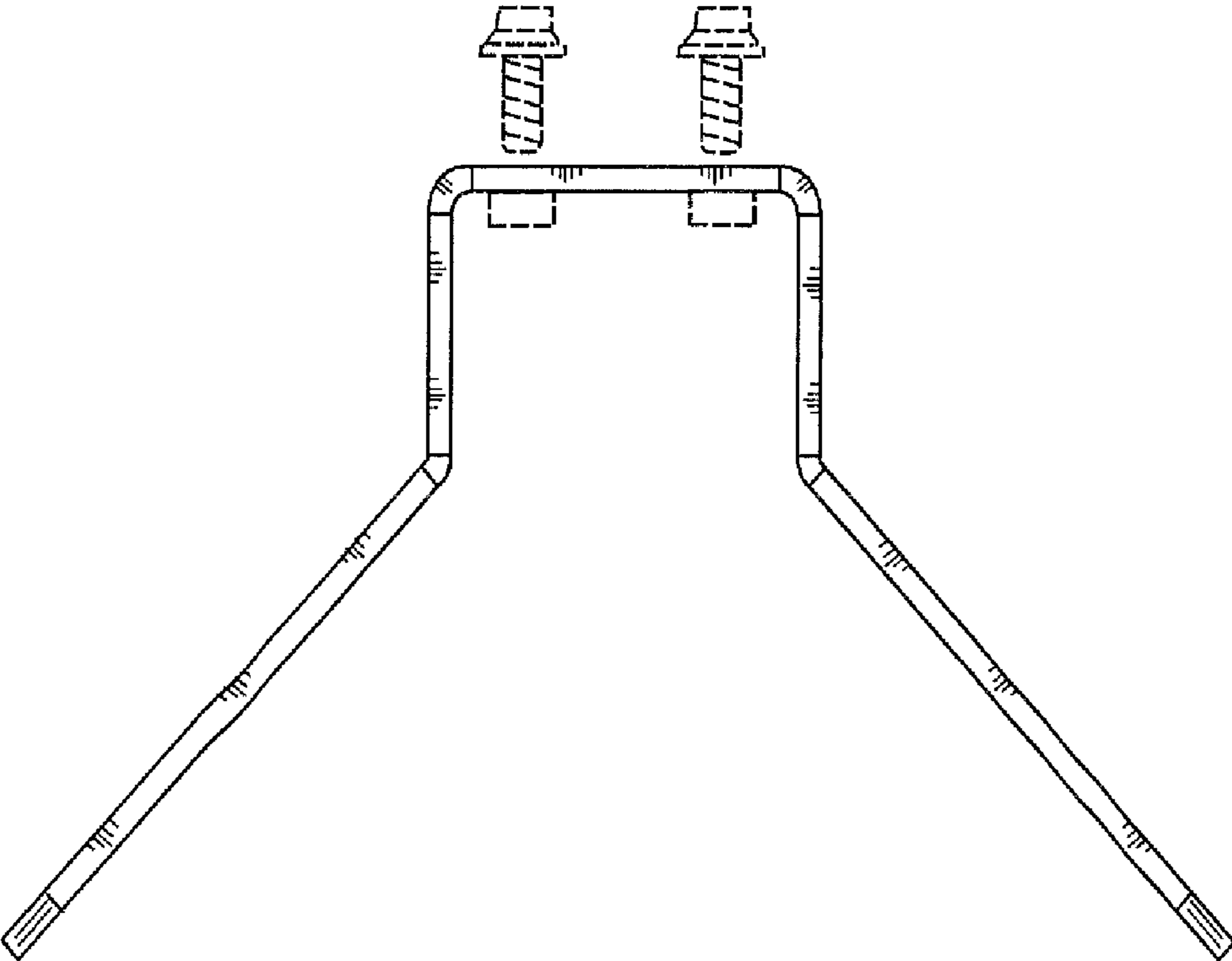


FIG. 7

