

US00D600533S

(12) **United States Design Patent**  
**Cole et al.**

(10) **Patent No.:** **US D600,533 S**

(45) **Date of Patent:** **\*\* Sep. 22, 2009**

(54) **RIGID WALL PANEL CLIP**

(76) Inventors: **Kenneth R. Cole**, Rt. 2, Box 2138,  
Cassville, MO (US) 65625; **John Ray**  
**Cole**, Rt. 2, Box 2138, Cassville, MO  
(US) 65625

(\*\*) Term: **14 Years**

(21) Appl. No.: **29/324,069**

(22) Filed: **Sep. 5, 2008**

(51) **LOC (9) Cl.** ..... **08-05**

(52) **U.S. Cl.** ..... **D8/349**; D8/382

(58) **Field of Classification Search** ..... D8/349,  
D8/354, 363, 373, 394, 382, 395; D25/119,  
D25/121, 124, 125, 136, 138; 52/238.1–243.1,  
52/394, 395, 578–582.1, 584.1, 589.1; D13/155;  
248/300

See application file for complete search history.

(56) **References Cited**

**U.S. PATENT DOCUMENTS**

2,577,881	A *	12/1951	Dugas	.....	52/584.1
D253,278	S *	10/1979	Ziaylek, Jr.	.....	D8/373
4,400,922	A *	8/1983	Boyer	.....	52/394
D288,407	S *	2/1987	St. Alban	.....	D8/354
5,170,977	A *	12/1992	McMillan	.....	248/300
D376,972	S *	12/1996	Zissu	.....	D8/354
D432,671	S *	10/2000	Grosfillex	.....	D25/119
D489,829	S *	5/2004	Barnett	.....	D25/119
D575,139	S *	8/2008	LePoire et al.	.....	D8/349

\* cited by examiner

*Primary Examiner*—Holly H Baynham

*Assistant Examiner*—Cynthia M Chin

(74) *Attorney, Agent, or Firm*—Mark Murphey Henry

(57) **CLAIM**

The ornamental design of a rigid wall panel clip, as shown and described.

**DESCRIPTION**

The article is a clip for joining adjacent prefabricated wall panels.

FIG. 1 is a perspective view of the rigid wall panel clip.

FIG. 2 is a top view of the rigid wall panel clip.

FIG. 3 is a side view of the rigid wall panel clip taken from the bottom of FIG. 2.

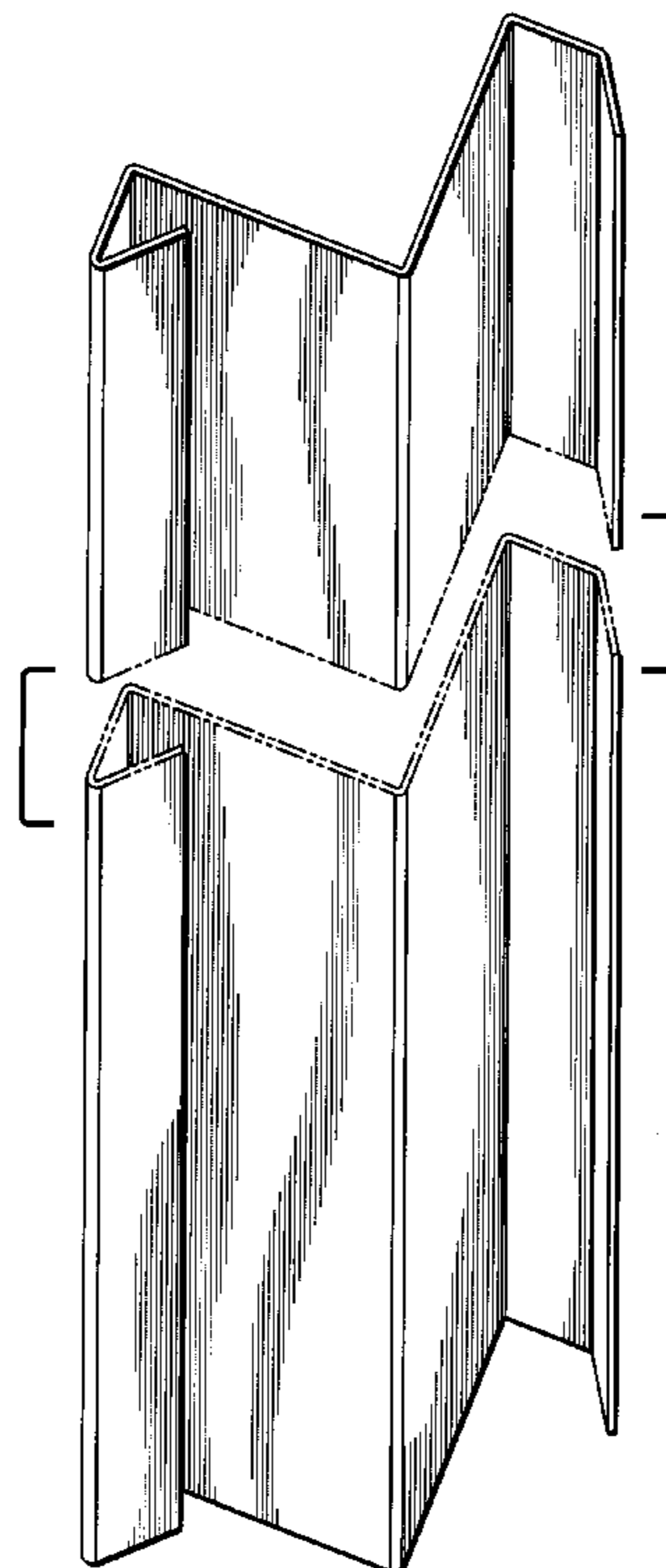
FIG. 4 is another side view of the rigid wall panel clip taken from the right of FIG. 2.

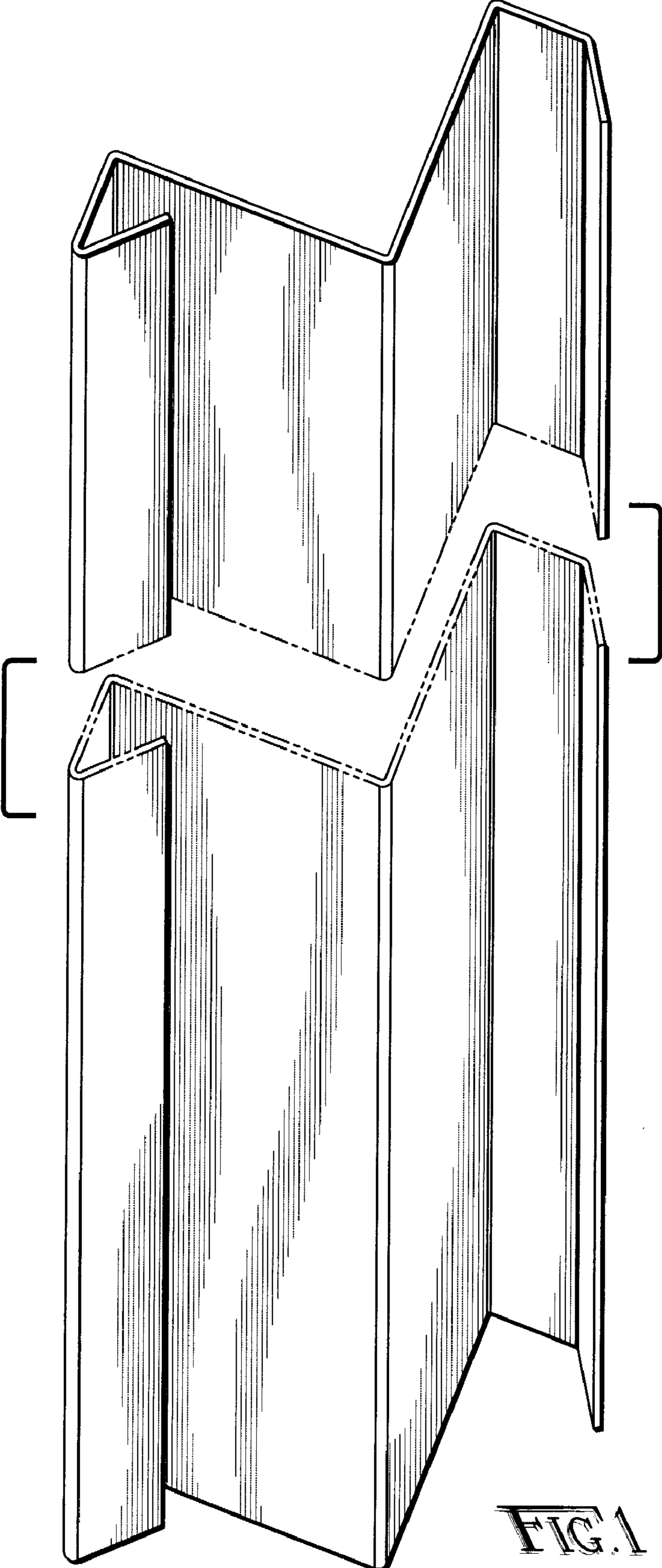
FIG. 5 is the opposite side view of FIG. 3 of the rigid wall panel clip taken from the top of FIG. 2; and,

FIG. 6 is the opposite side view of FIG. 4 of the rigid wall panel clip taken from the left of FIG. 2.

FIGS. 1 and 3–6 have been shown broken away for ease and clarity of illustration. The broken lines immediately adjacent the shaded areas in FIGS. 1 and 3–6 represent the bounds of the claim and the broken lines in FIG. 2 represent the environment in which the design resides. None of the broken lines form a part of the claimed design.

**1 Claim, 4 Drawing Sheets**





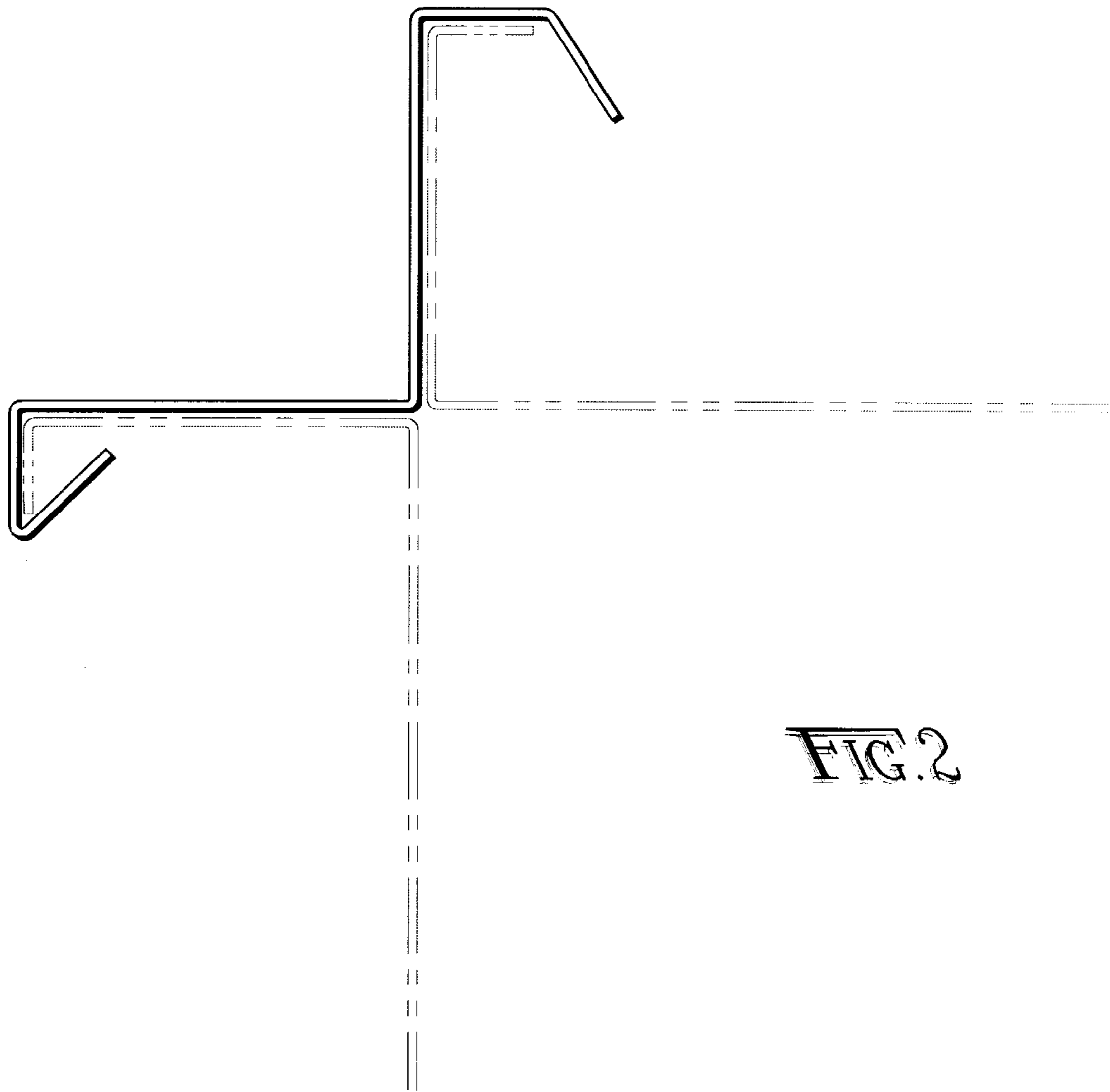


FIG. 2

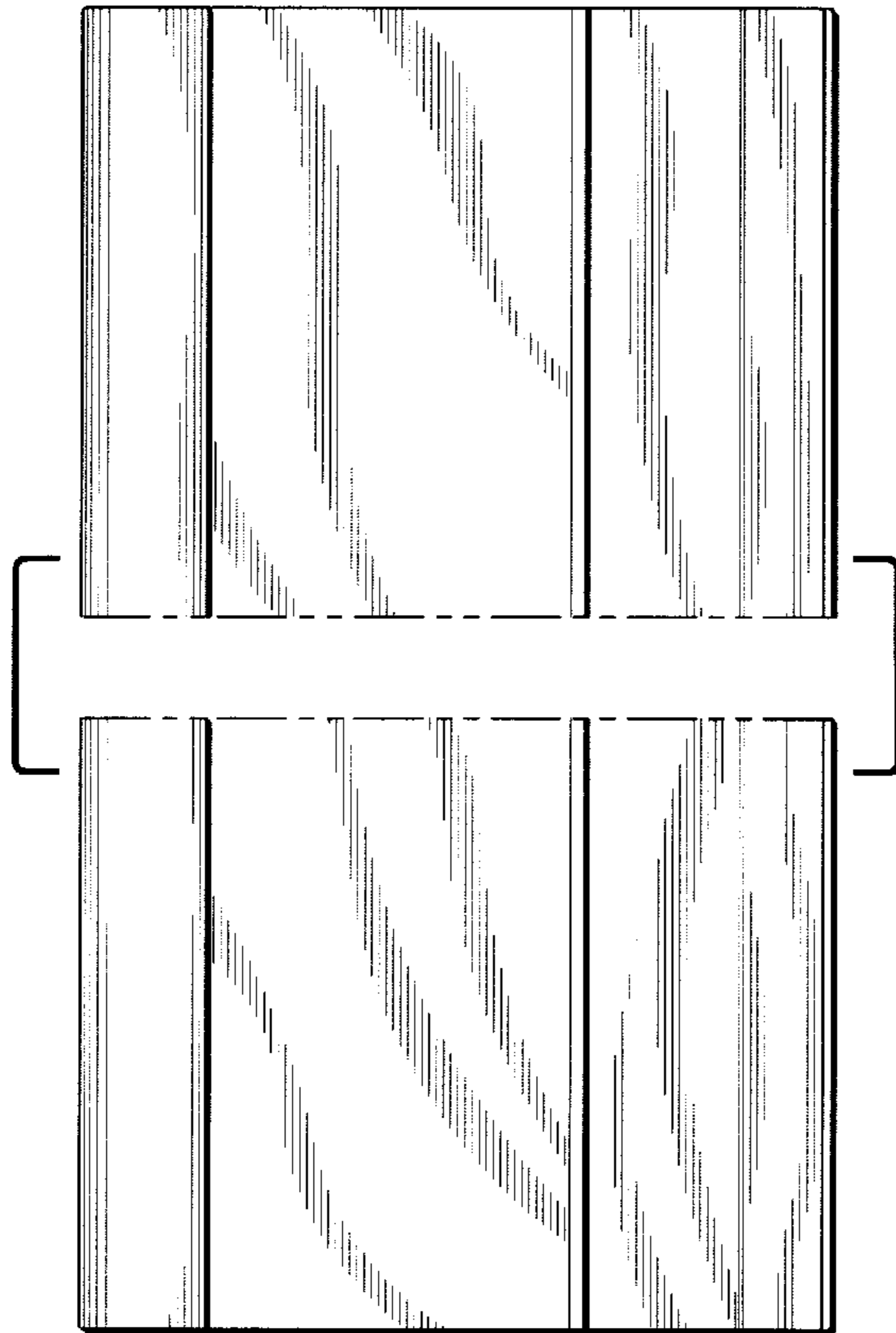


FIG. 3

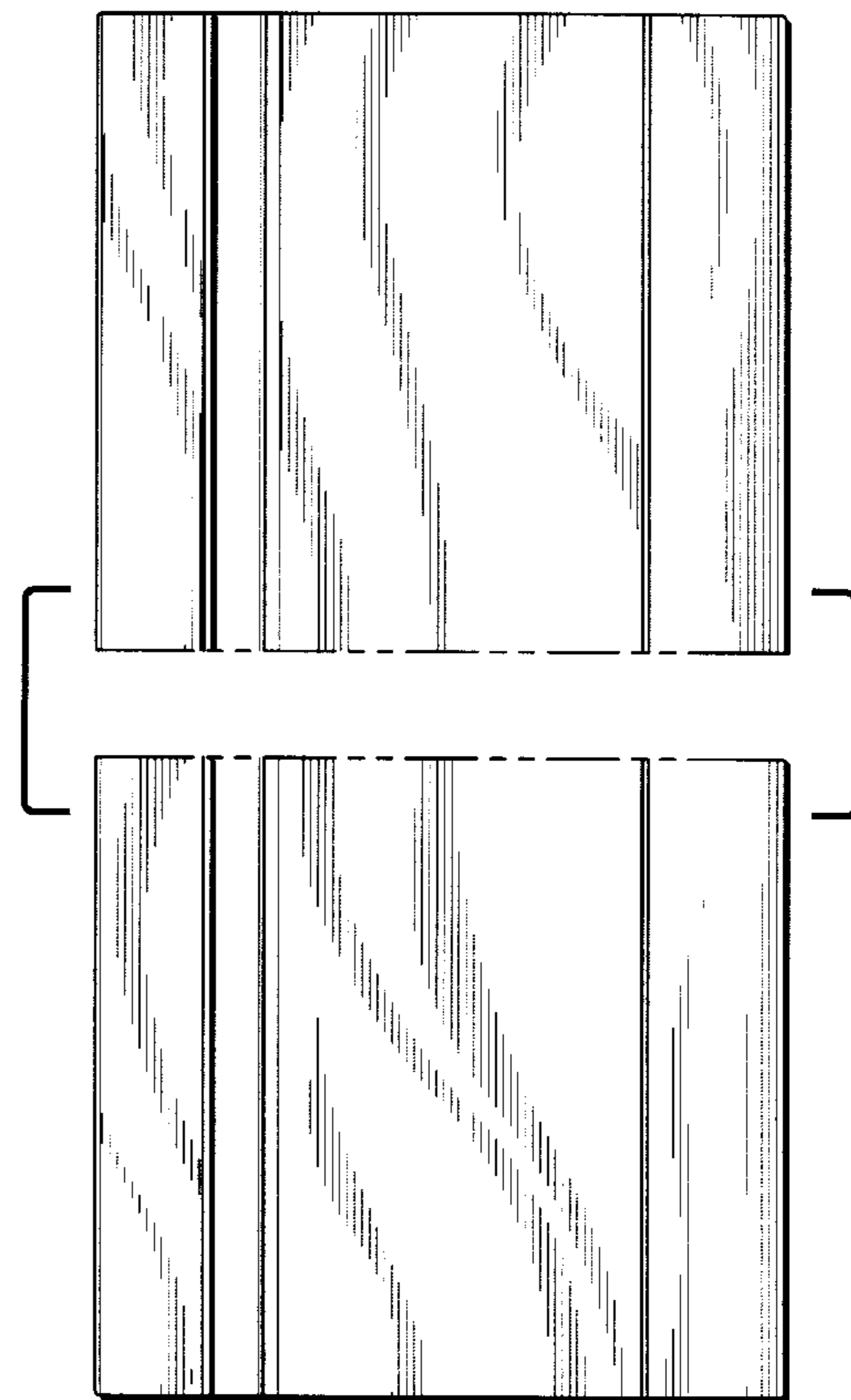


FIG. 4

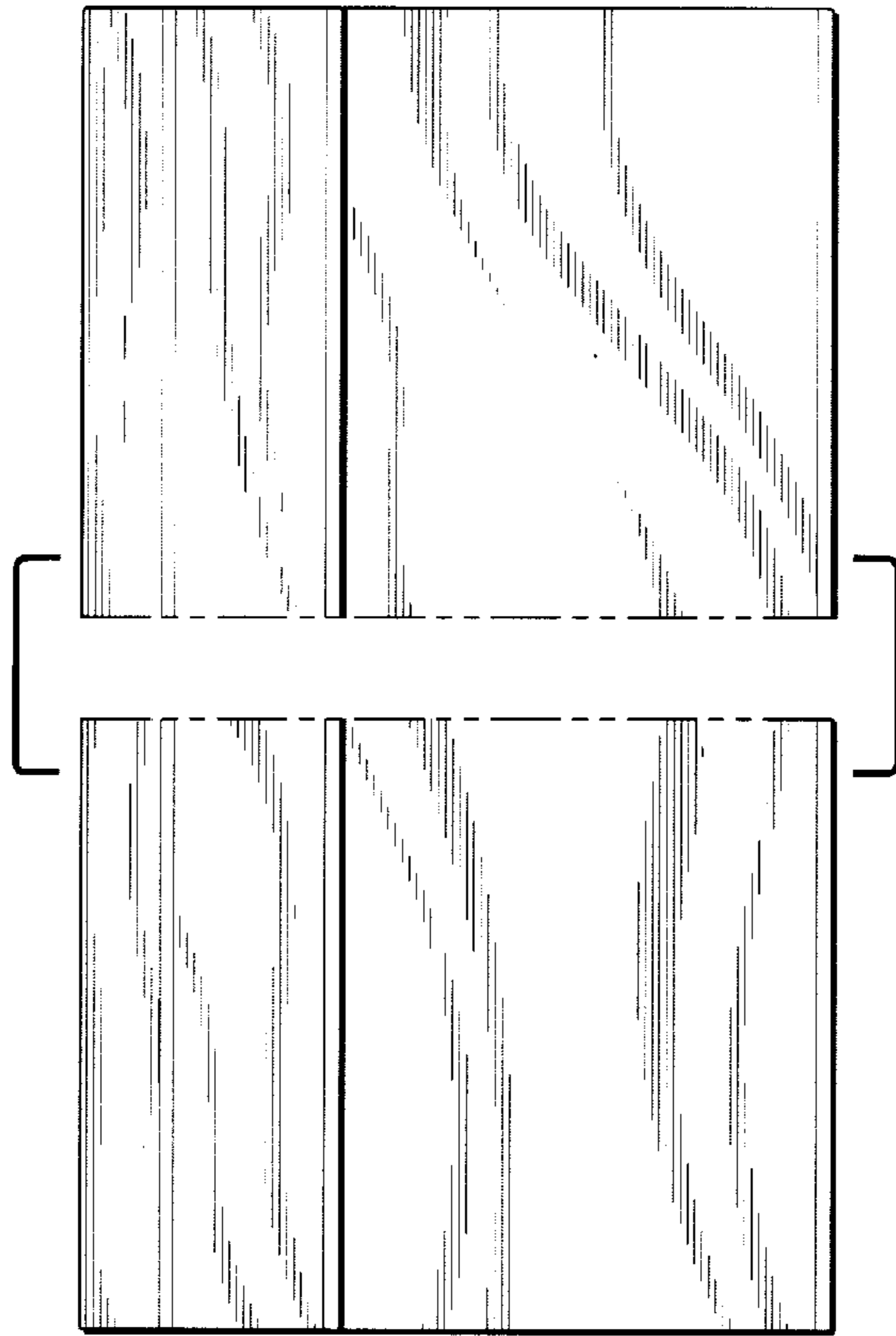


FIG. 5

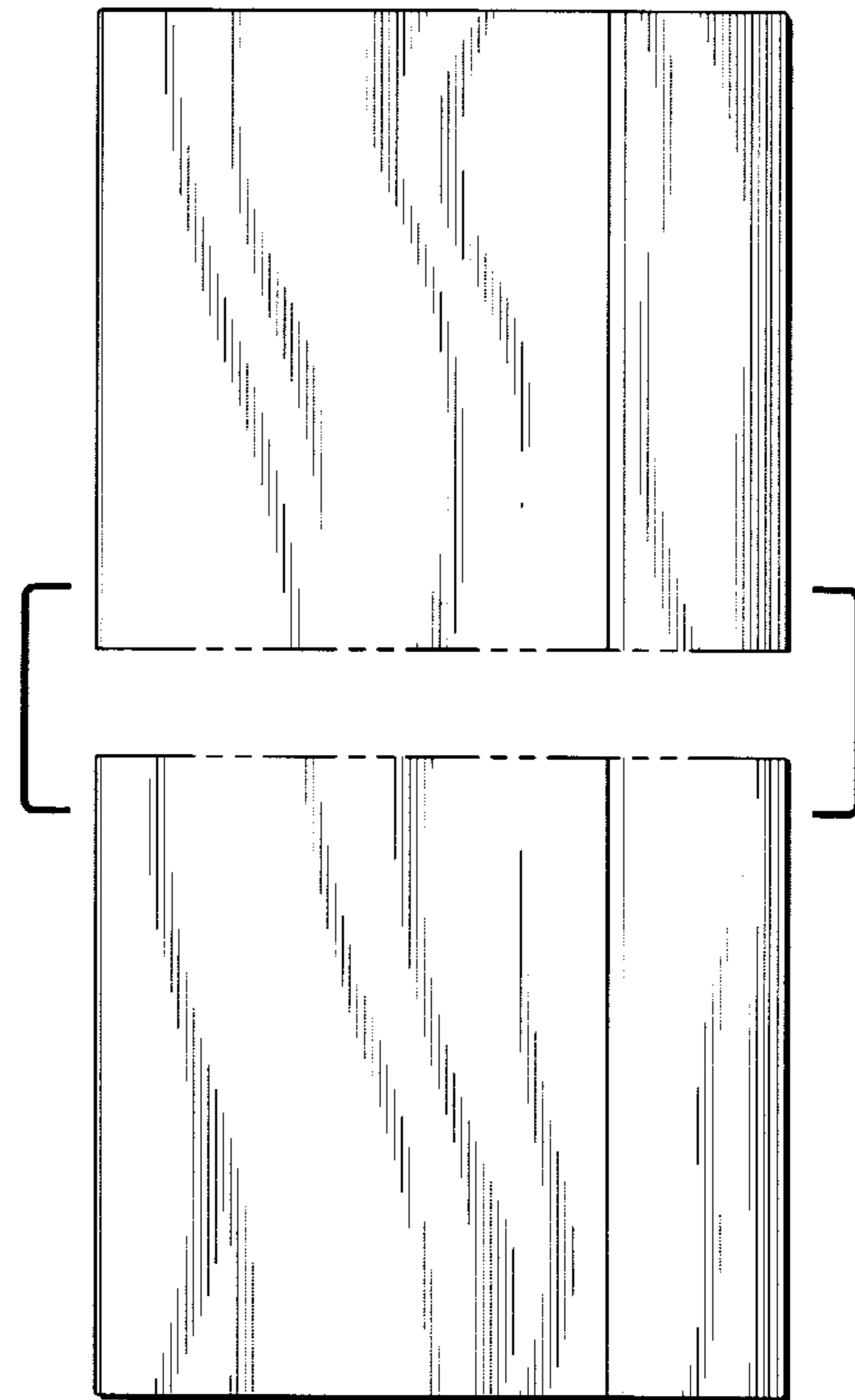


FIG. 6