



US00D600531S

(12) **United States Design Patent**  
**Marko**

(10) **Patent No.:** **US D600,531 S**

(45) **Date of Patent:** **\*\* Sep. 22, 2009**

(54) **DOOR LATCH HANDLE**

(75) Inventor: **Neil L. Marko**, Pioneer, OH (US)

(73) Assignee: **Universal Industrial Products, Inc.**,  
Pioneer, OH (US)

(\*\*) Term: **14 Years**

(21) Appl. No.: **29/335,068**

(22) Filed: **Apr. 8, 2009**

**Related U.S. Application Data**

(62) Division of application No. 29/329,148, filed on Dec. 10, 2008, now Pat. No. Des. 592,486, which is a division of application No. 29/265,445, filed on Aug. 31, 2006, now Pat. No. Des. 584,594.

(51) **LOC (9) Cl.** ..... **08-07**

(52) **U.S. Cl.** ..... **D8/343; D8/301; D8/330**

(58) **Field of Classification Search** ..... D8/330,  
D8/331, 341, 300-302, 307, 308, DIG. 1,  
D8/DIG. 10; 292/336.3, 347, 355-357, 70,  
292/348, 358, 359, 167, DIG. 31, DIG. 63;  
70/51, 91, 141, 207; 16/412

See application file for complete search history.

(56) **References Cited**

**U.S. PATENT DOCUMENTS**

2,058,685 A \* 10/1936 Haan, Jr. .... 292/347  
2,131,458 A \* 9/1938 Turner ..... 292/165

D339,280 S \* 9/1993 Bray et al. .... D8/301  
D365,976 S \* 1/1996 Chiu ..... D8/330  
6,035,492 A \* 3/2000 Warshaviak ..... 292/336.3  
D423,902 S \* 5/2000 Libby et al. .... D8/301  
6,349,450 B1 \* 2/2002 Koops et al. .... 292/336.3  
D502,641 S \* 3/2005 Marko ..... D8/301  
D520,848 S \* 5/2006 Metivier et al. .... D8/301

\* cited by examiner

*Primary Examiner*—Prabhakar Deshmukh

(74) *Attorney, Agent, or Firm*—Harness, Dickey & Pierce,  
P.L.C.

(57) **CLAIM**

The ornamental design for a door latch handle, as shown and described.

**DESCRIPTION**

FIG. 1 is a perspective view of a door latch handle showing my new design;

FIG. 2 is a side elevational view thereof;

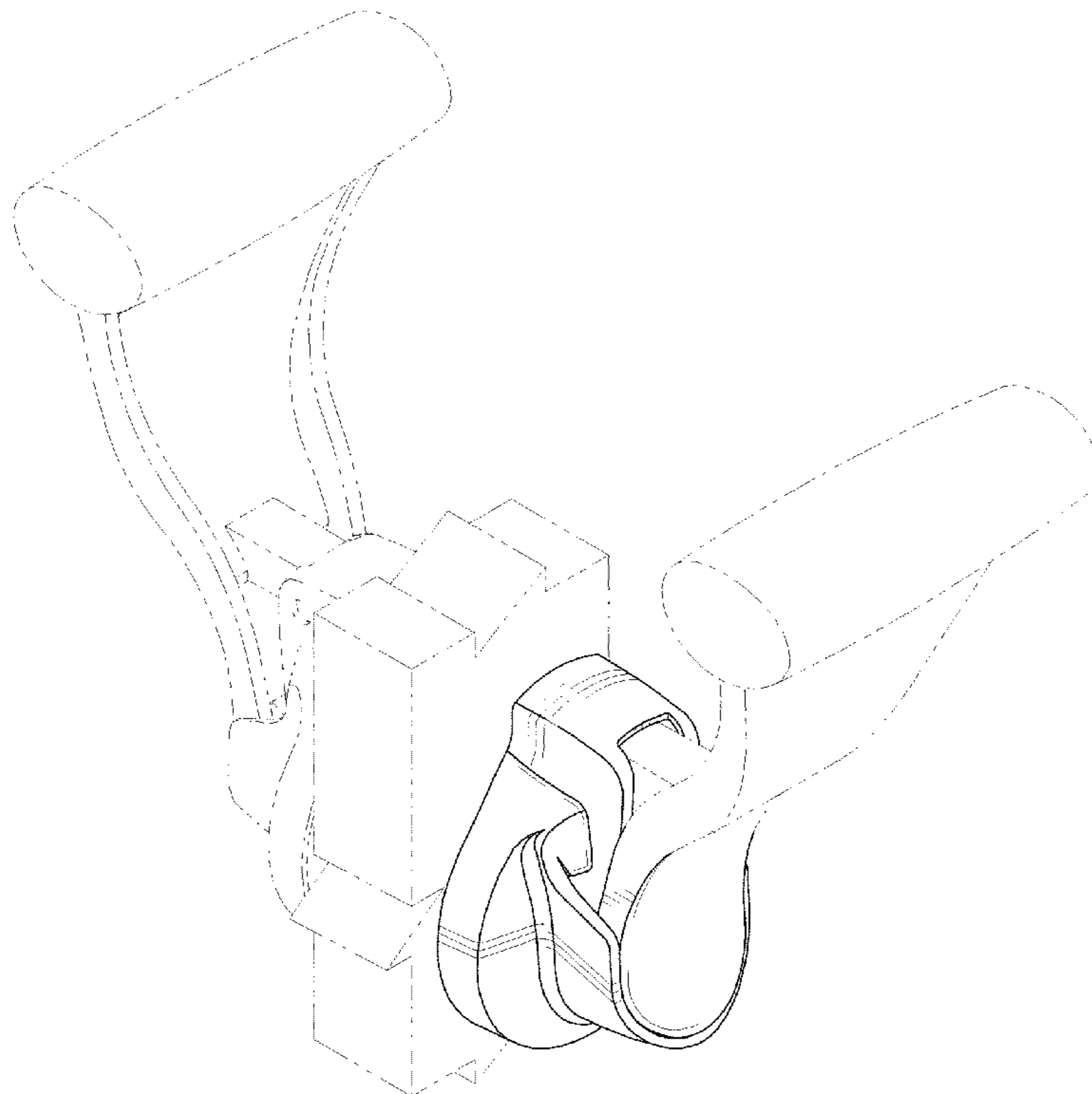
FIG. 3 is a top plan view thereof;

FIG. 4 is a bottom plan view thereof; and,

FIG. 5 is a front elevational view thereof.

The broken lines immediately adjacent to the claimed areas with surface shading in the views represent the boundaries of the design. The other broken lines in figures illustrate the portions of the design that form no part of the claim. None of the broken lines form any part of the claimed design.

**1 Claim, 3 Drawing Sheets**



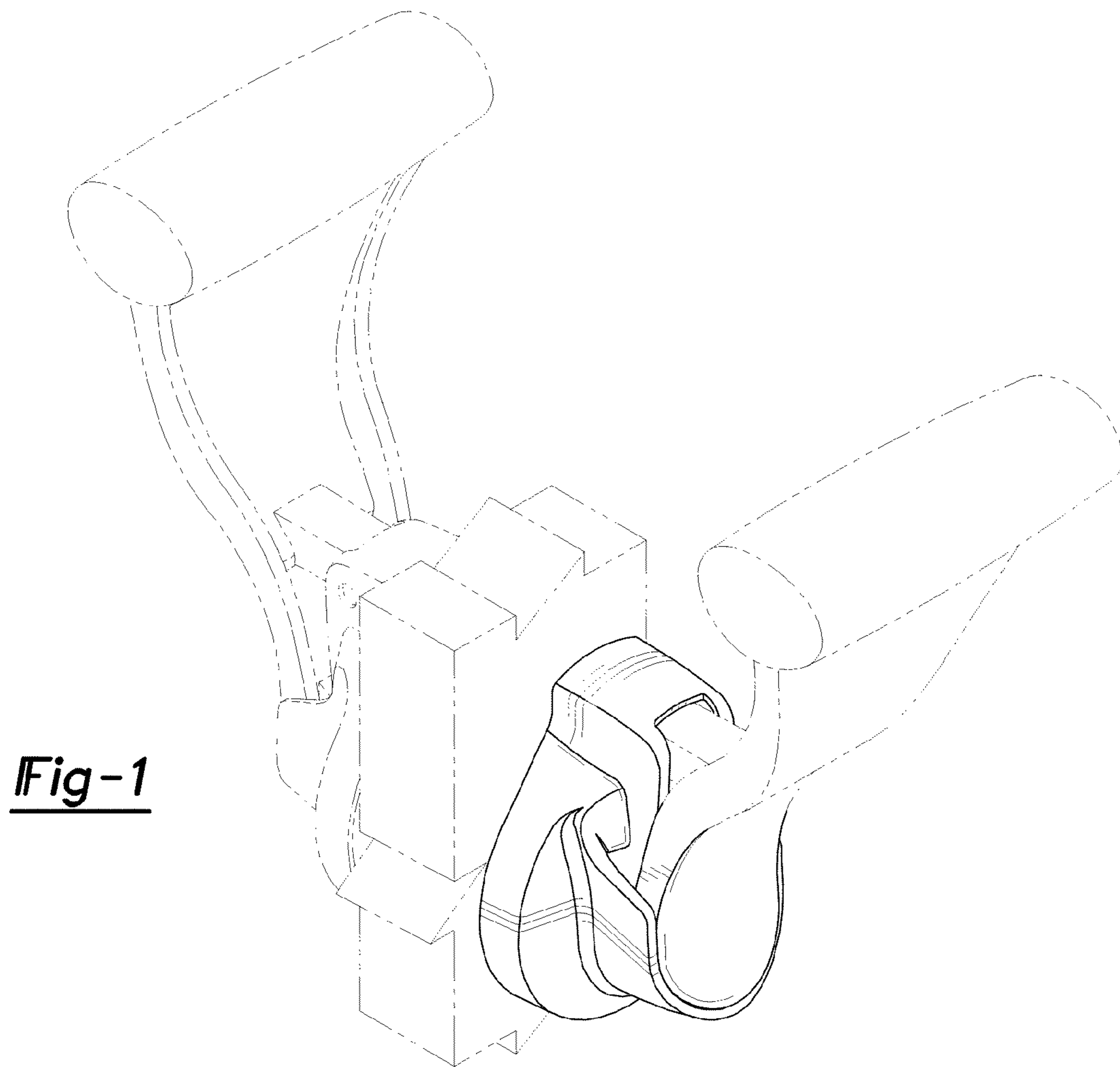


Fig-1

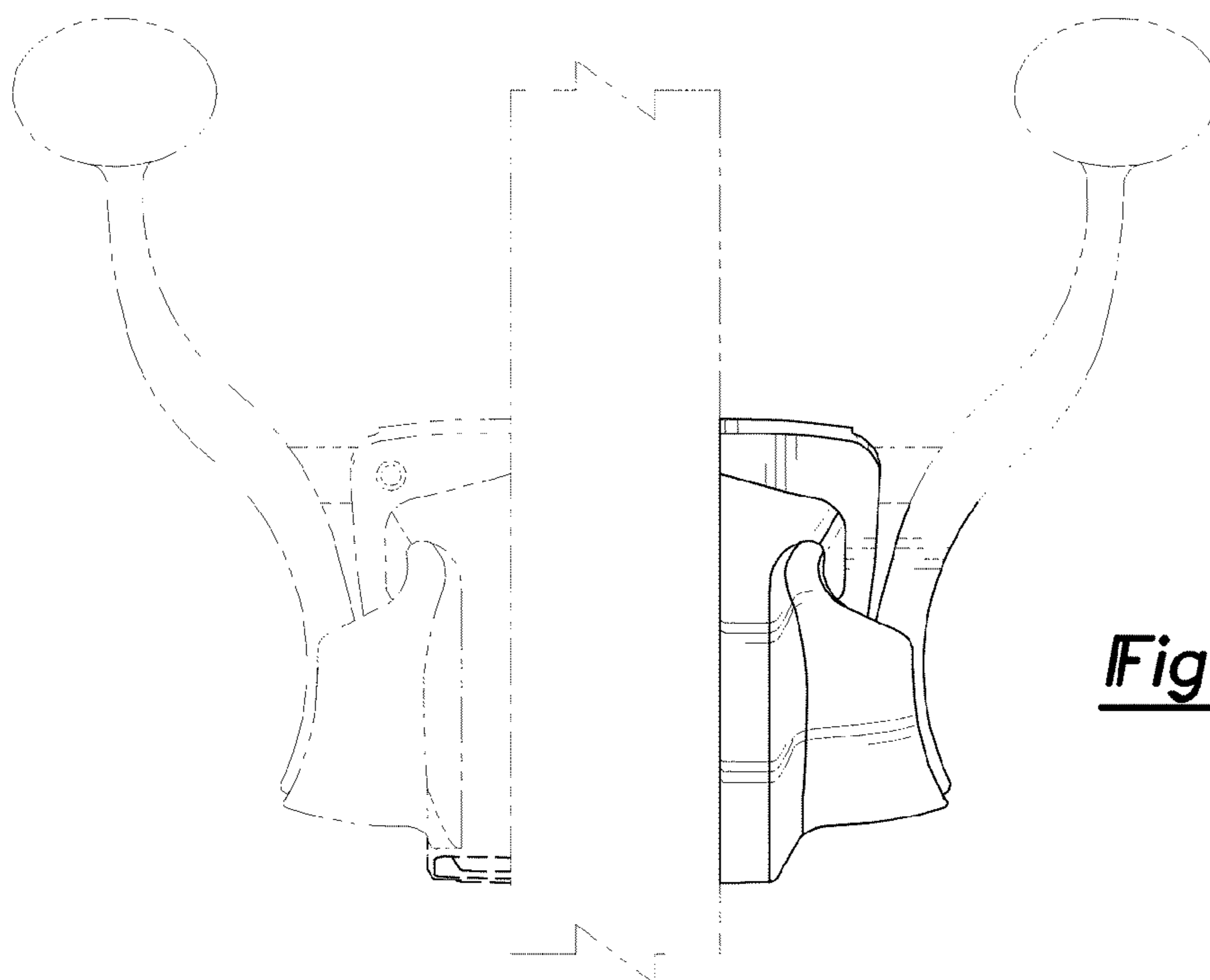


Fig-2

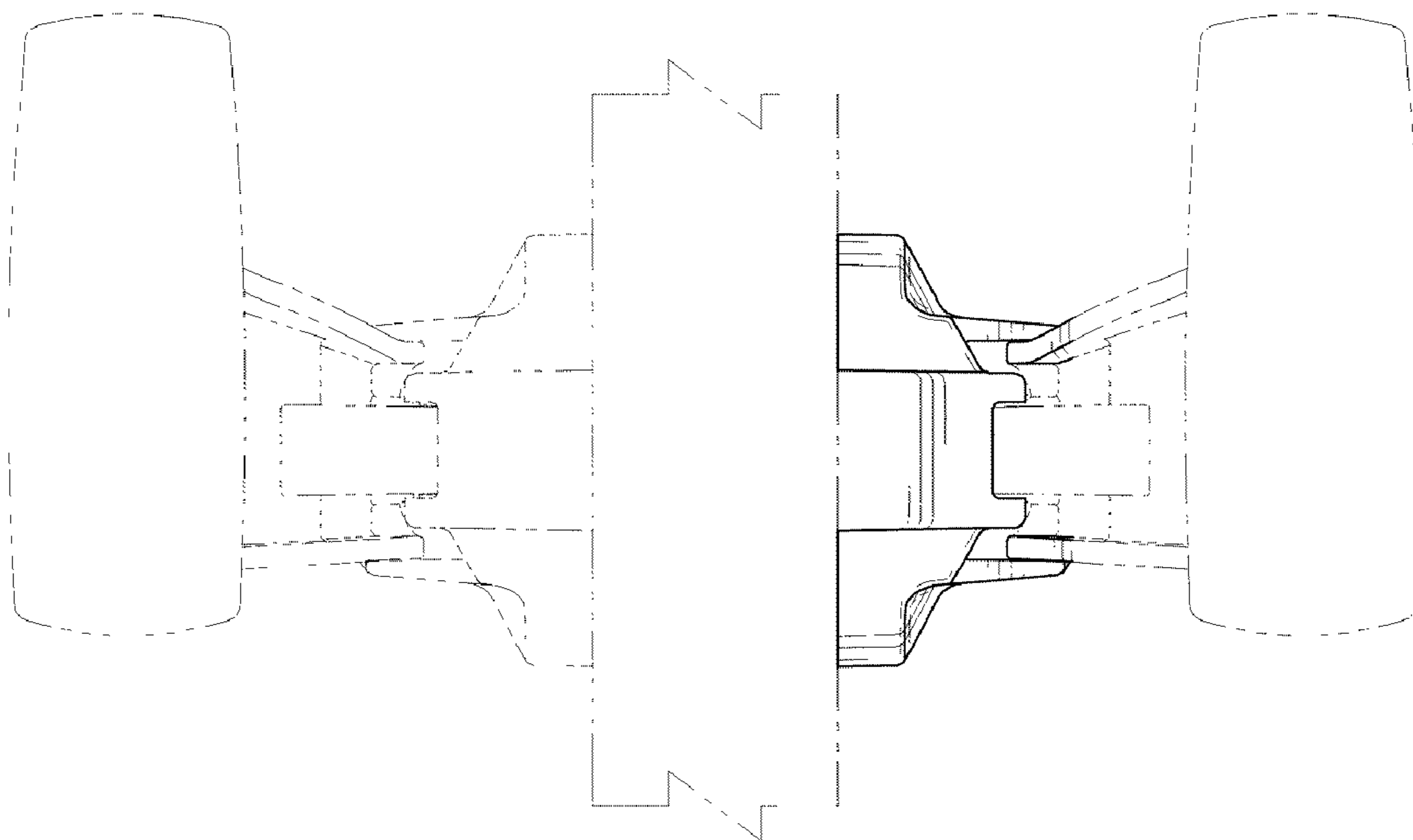


Fig-3

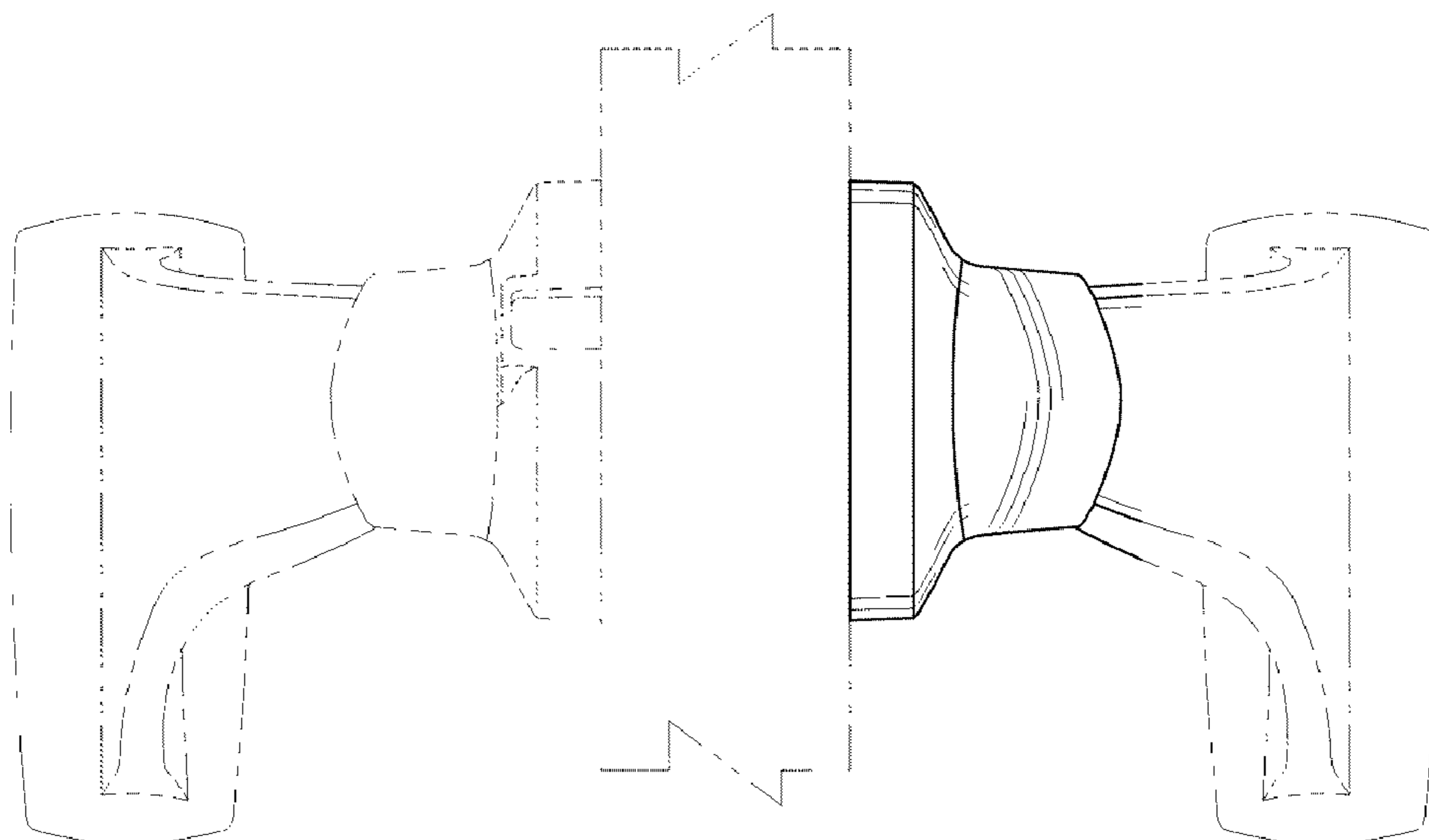


Fig-4

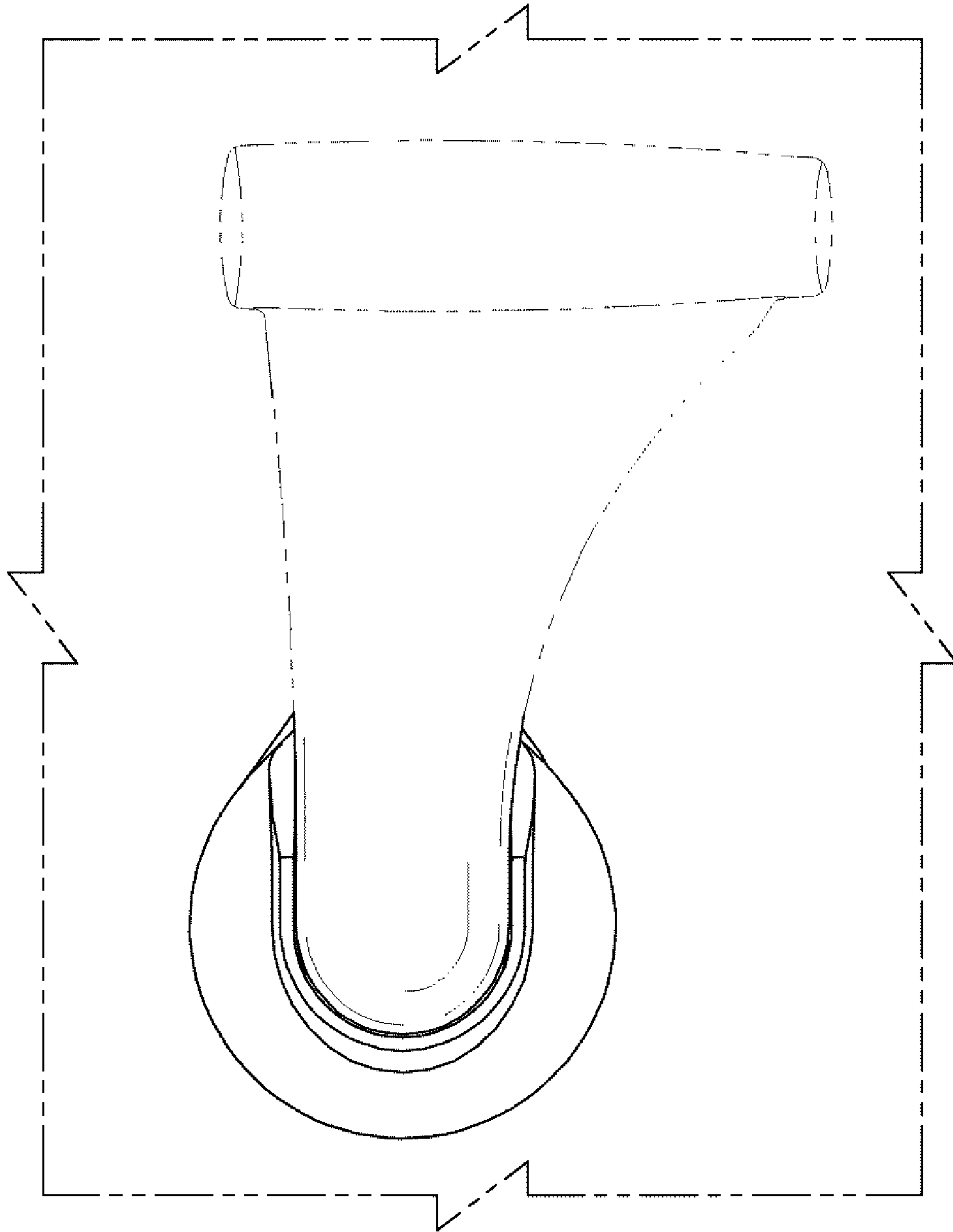


Fig-5