



US00D600530S

(12) **United States Design Patent**
Caudell et al.

(10) **Patent No.:** **US D600,530 S**

(45) **Date of Patent:** **** Sep. 22, 2009**

(54) **LOCKING DEVICE FOR A SCAFFOLDING FASTENER**

(76) Inventors: **Martin J. Caudell**, Sunset Down, Henfield Road, Horton Corner (GB); **Barry E. Snell**, 49 Newland Road, Upper Beeding, West Sussex (GB) BN44 3JJ

(**) Term: **14 Years**

(21) Appl. No.: **29/325,834**

(22) Filed: **Oct. 7, 2008**

(30) **Foreign Application Priority Data**

Apr. 7, 2008 (GB) 000910211-0001

(51) **LOC (9) Cl.** **08-07**

(52) **U.S. Cl.** **D8/330**

(58) **Field of Classification Search** D8/330, D8/331, 333, 342, 343, 344, 349, 352, 354, D8/356, 382, 383, 396; 70/51, 431, 466; 292/307 R, 317, 318, 323, 324, 325
See application file for complete search history.

(56) **References Cited**

U.S. PATENT DOCUMENTS

3,193,634	A *	7/1965	Bernard	200/51 R
4,189,810	A *	2/1980	Beziat	403/344
D277,644	S *	2/1985	Tolkko	D8/396
D350,686	S *	9/1994	Myers	D8/343
D361,034	S *	8/1995	Strassle	D8/397
D521,358	S *	5/2006	Liao	D8/331
D523,731	S *	6/2006	Weinerman et al.	D8/343
D525,110	S *	7/2006	Beard et al.	D8/330

* cited by examiner

Primary Examiner—Prabhakar Deshmukh
Assistant Examiner—Derrick Holland
(74) *Attorney, Agent, or Firm*—Blank Rome LLP

(57) **CLAIM**

The ornamental design for a locking device for a scaffolding fastener, as shown and described.

DESCRIPTION

FIG. 1 is a perspective view from the rear of a locking device for a scaffolding fastener according to a first embodiment, showing our new design.

FIG. 2 is a perspective view from the front thereof.

FIG. 3 is a top view thereof.

FIG. 4 is a bottom view thereof.

FIG. 5 is a left-side view thereof.

FIG. 6 is a right-side view thereof.

FIG. 7 is a rear view thereof.

FIG. 8 is a front view thereof.

FIG. 9 is a perspective view from the rear of a locking device for a scaffolding fastener according to a second embodiment, showing our new design.

FIG. 10 is a perspective view from the front thereof.

FIG. 11 is a top view thereof.

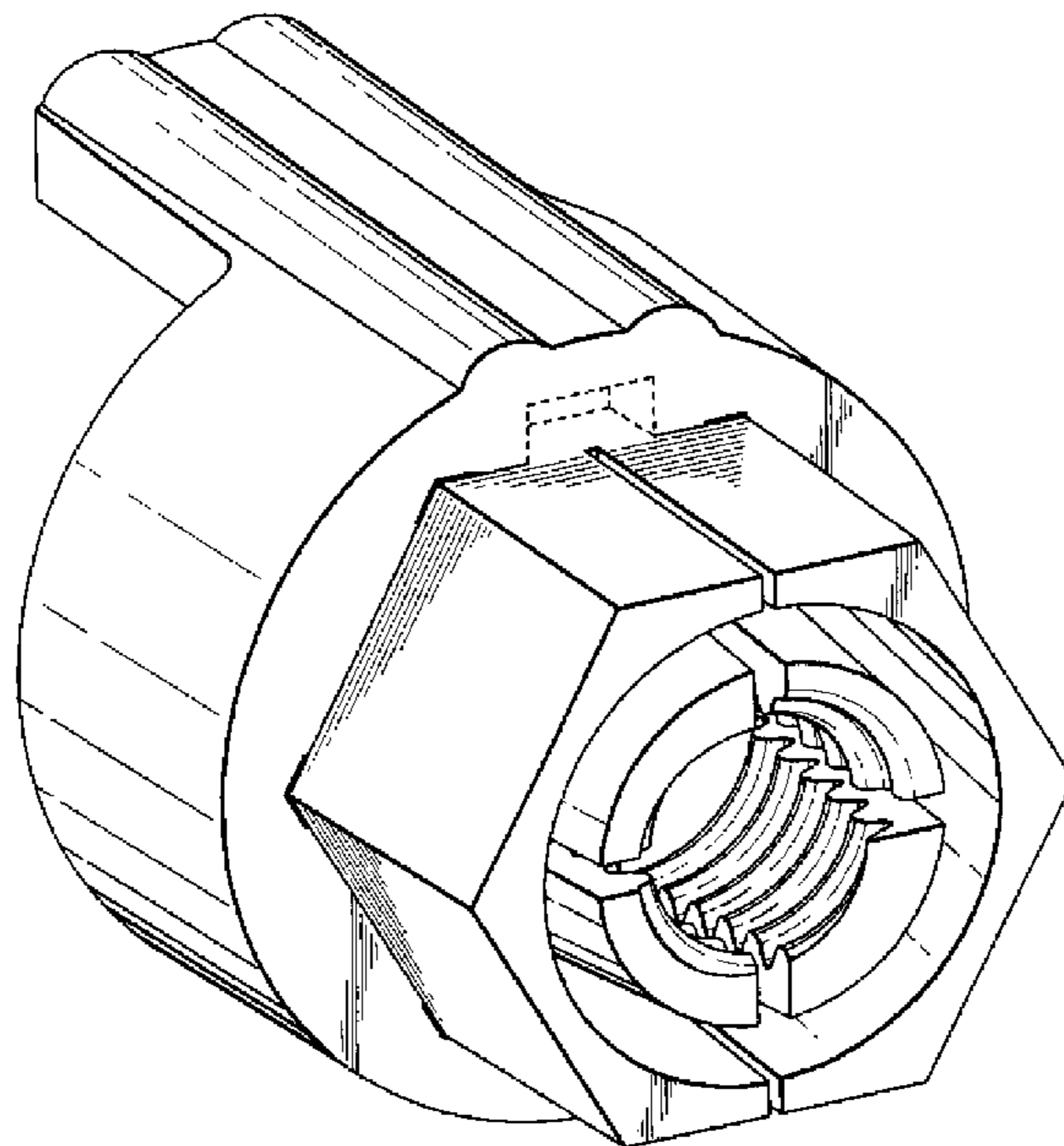
FIG. 12 is a rear view thereof; and,

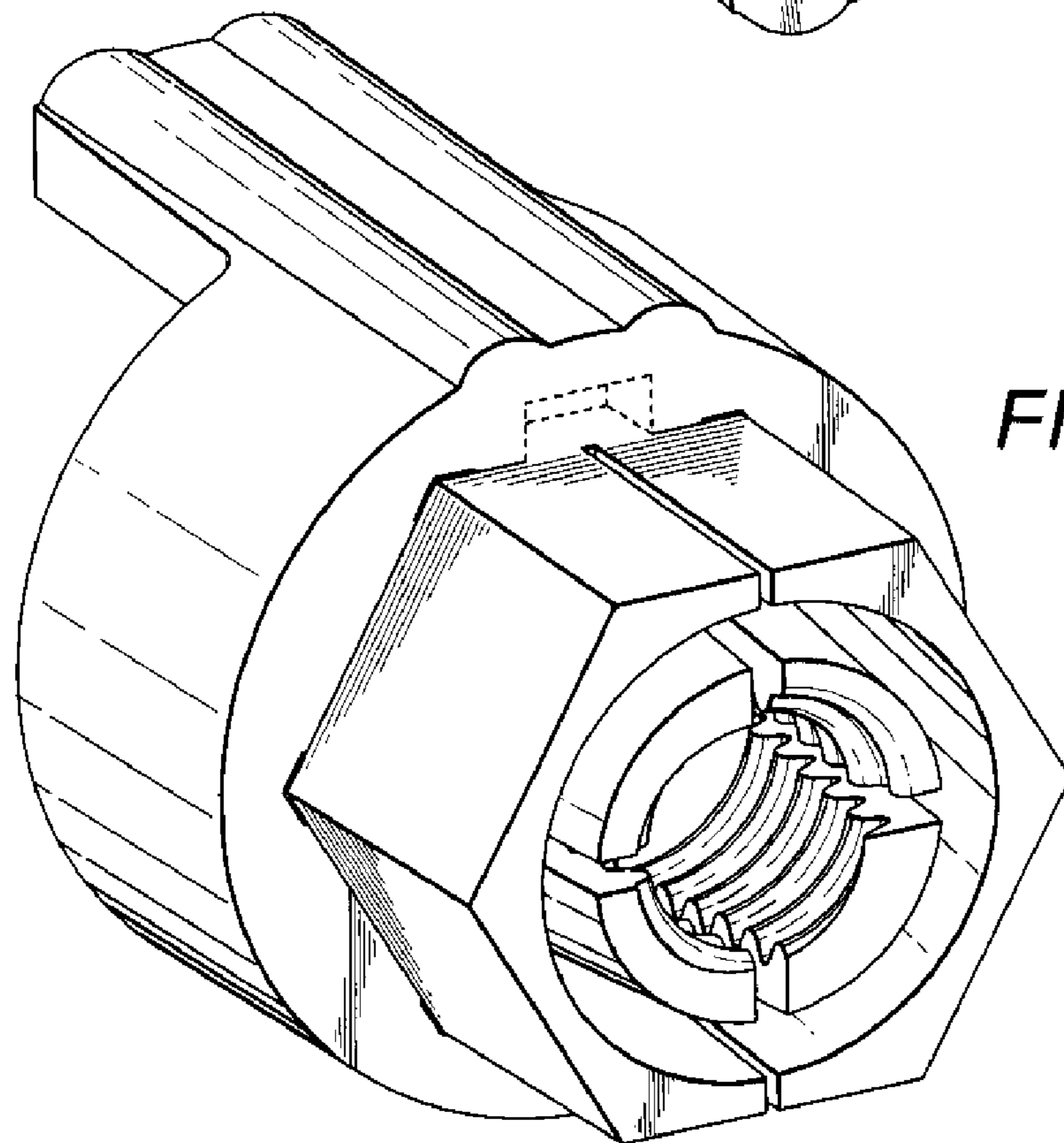
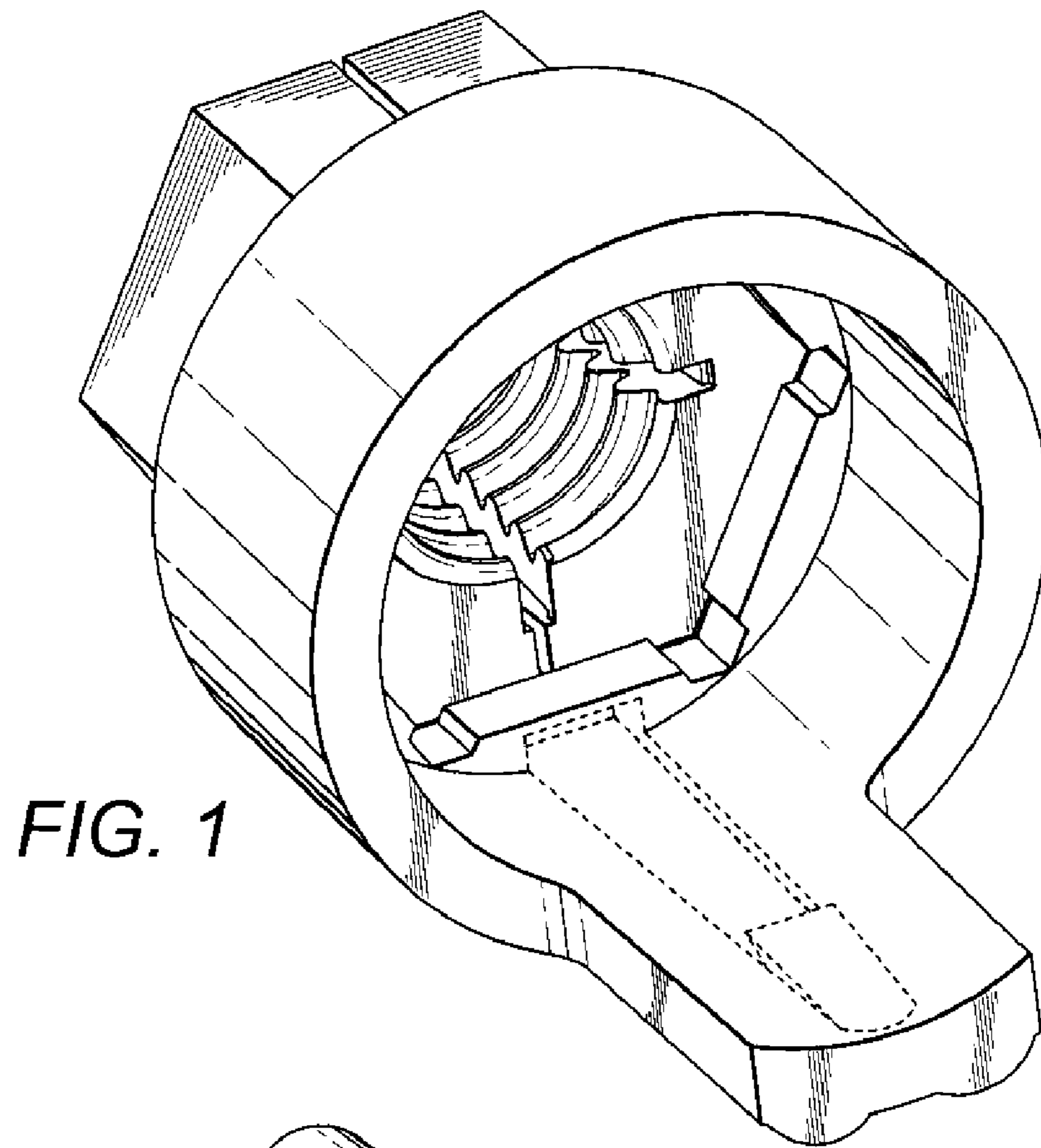
FIG. 13 is a front view thereof.

The bottom, left and right side views of the second embodiment (FIG. 9) are the same as disclosed in FIGS. 4, 5 and 6 of the first embodiment (FIG. 1).

The broken lines shown represent unclaimed subject matter and form no part of the claim design.

1 Claim, 7 Drawing Sheets





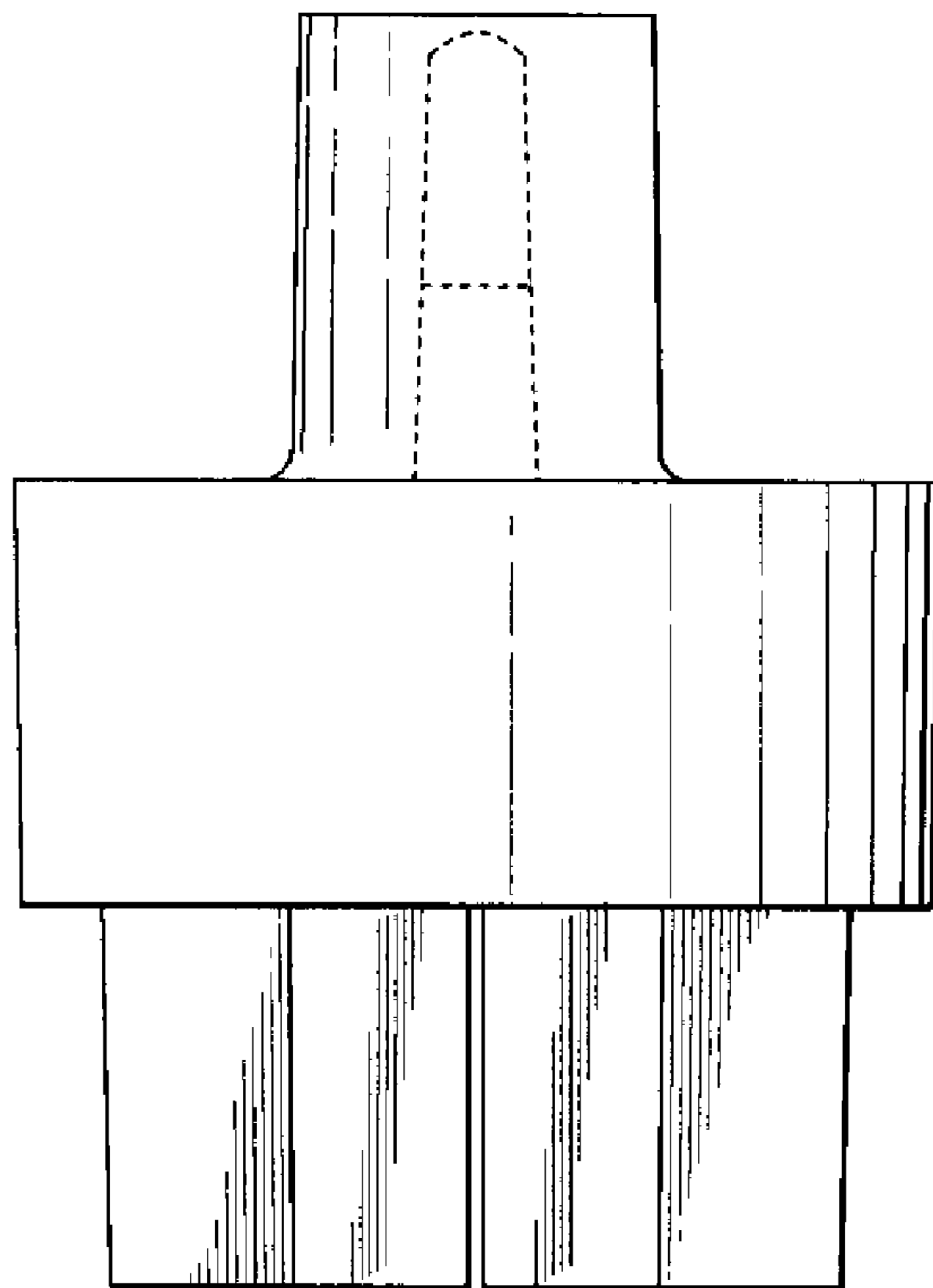


FIG. 3

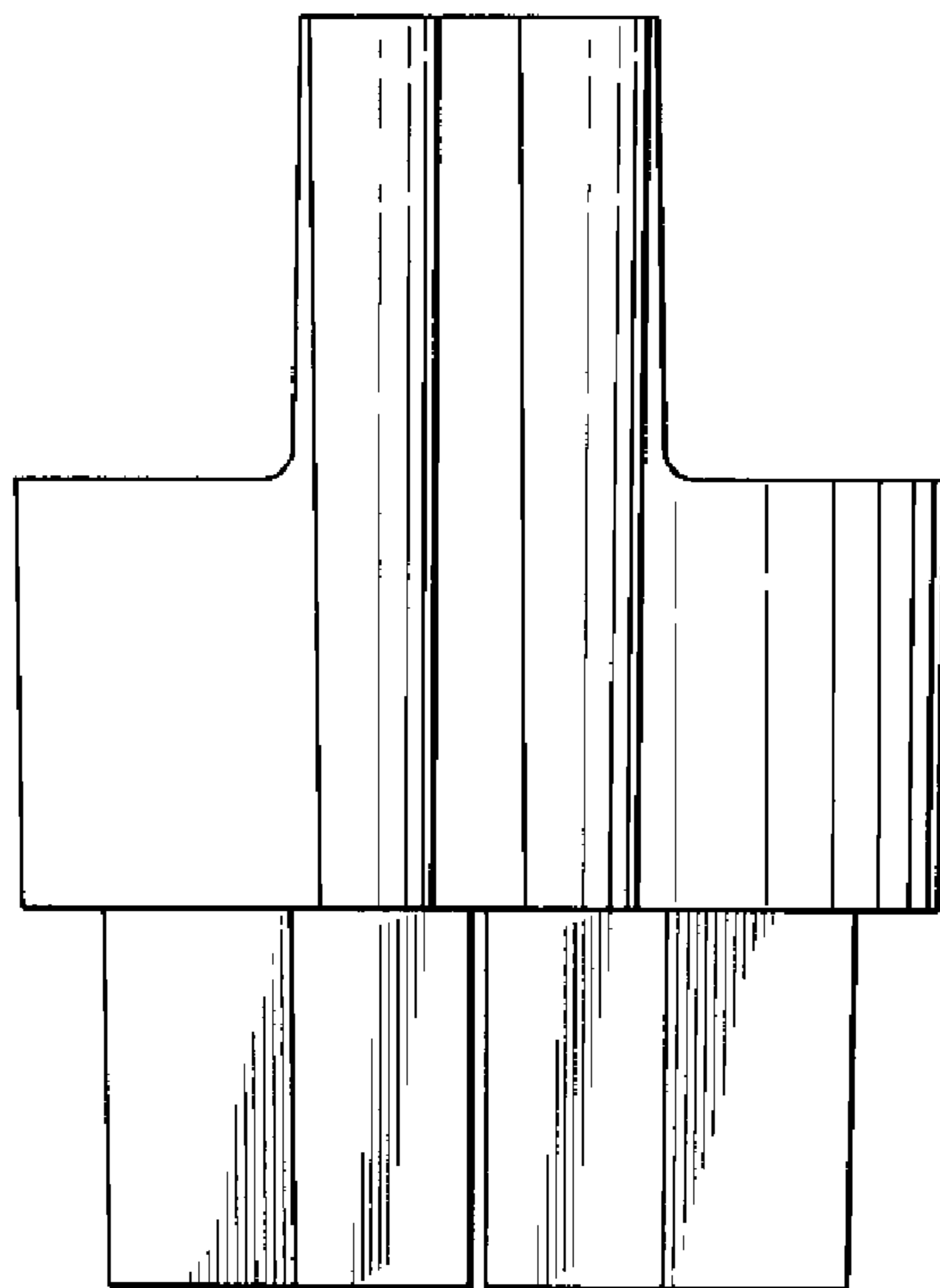


FIG. 4

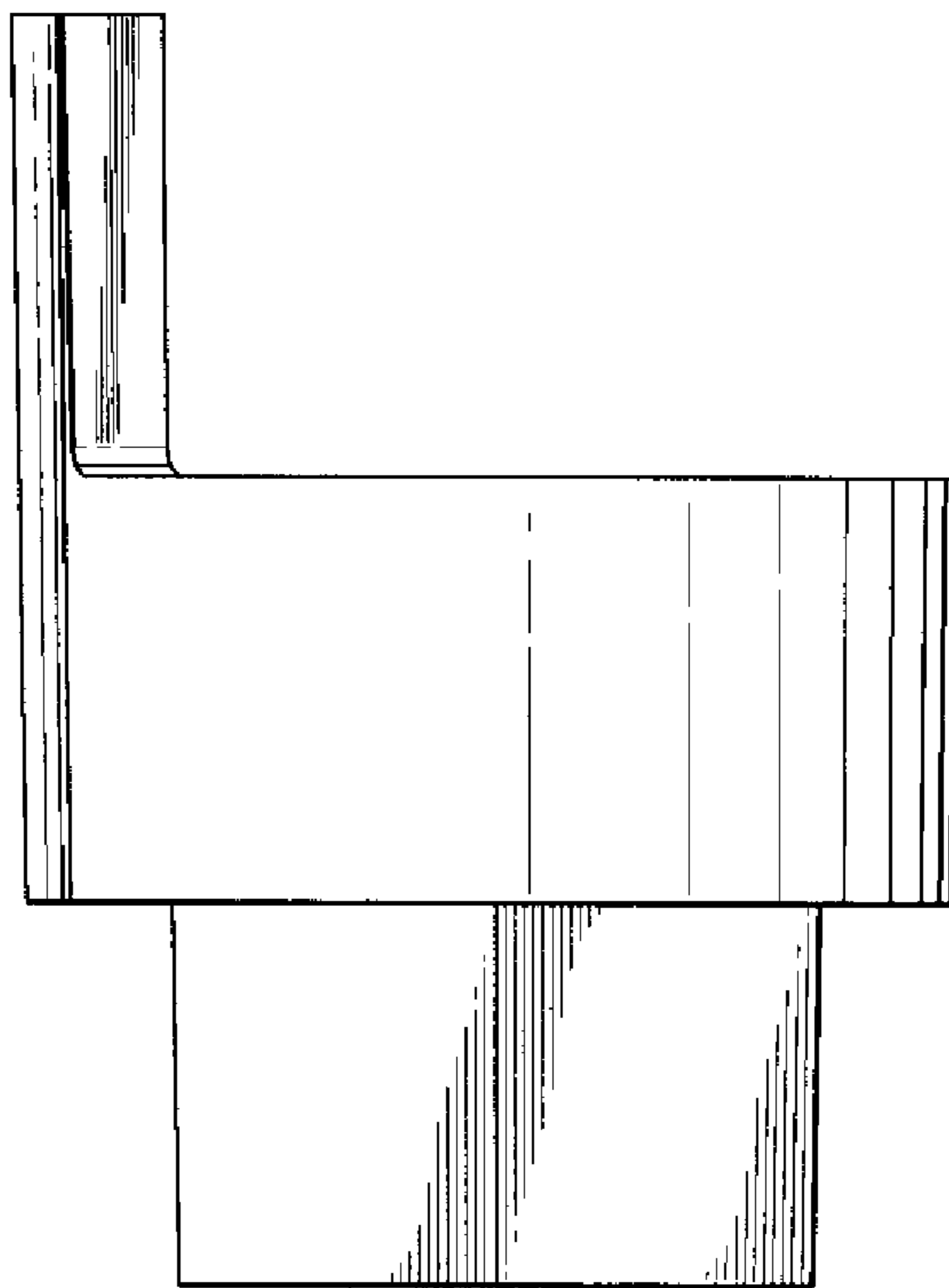


FIG. 5

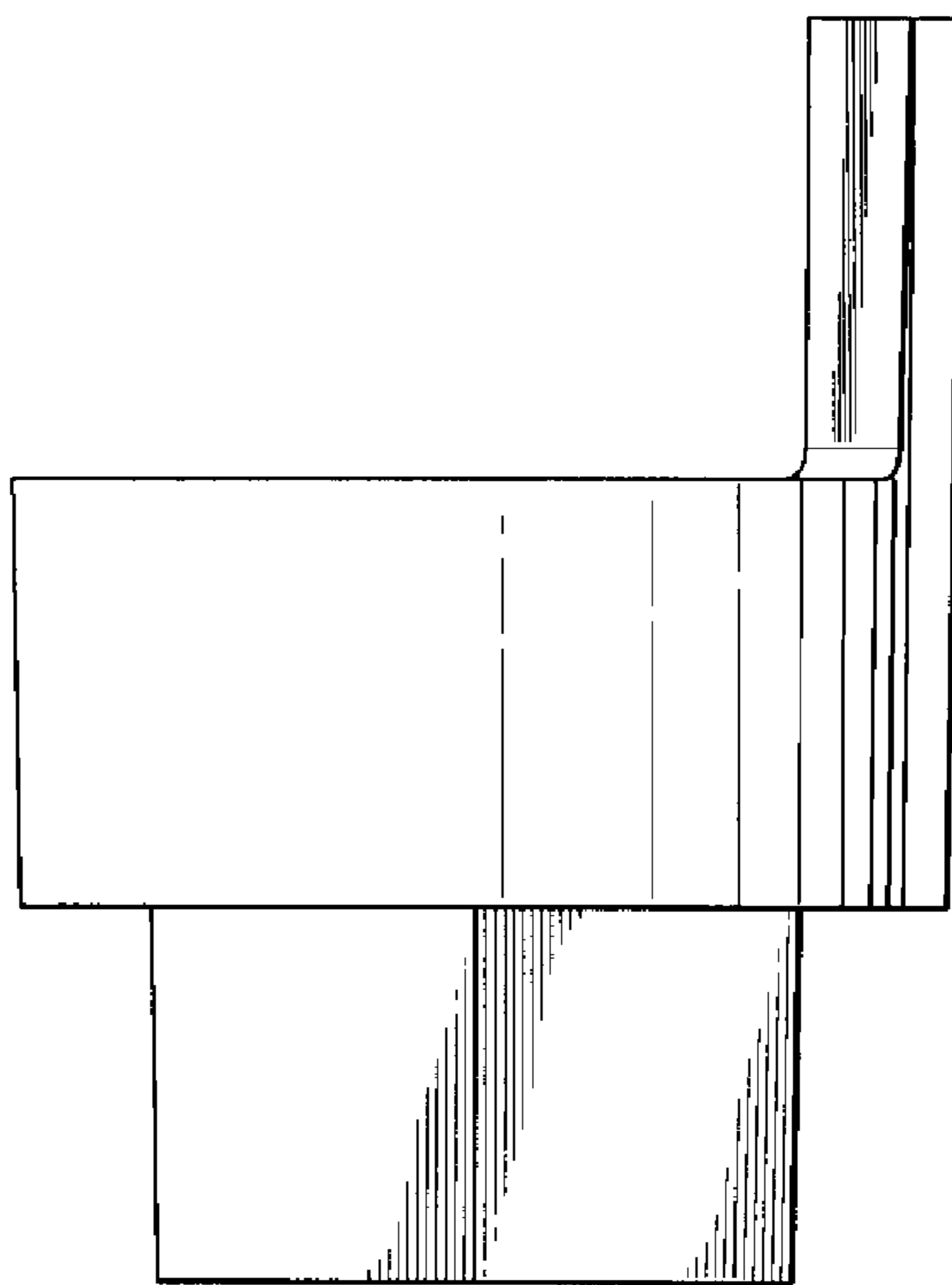


FIG. 6

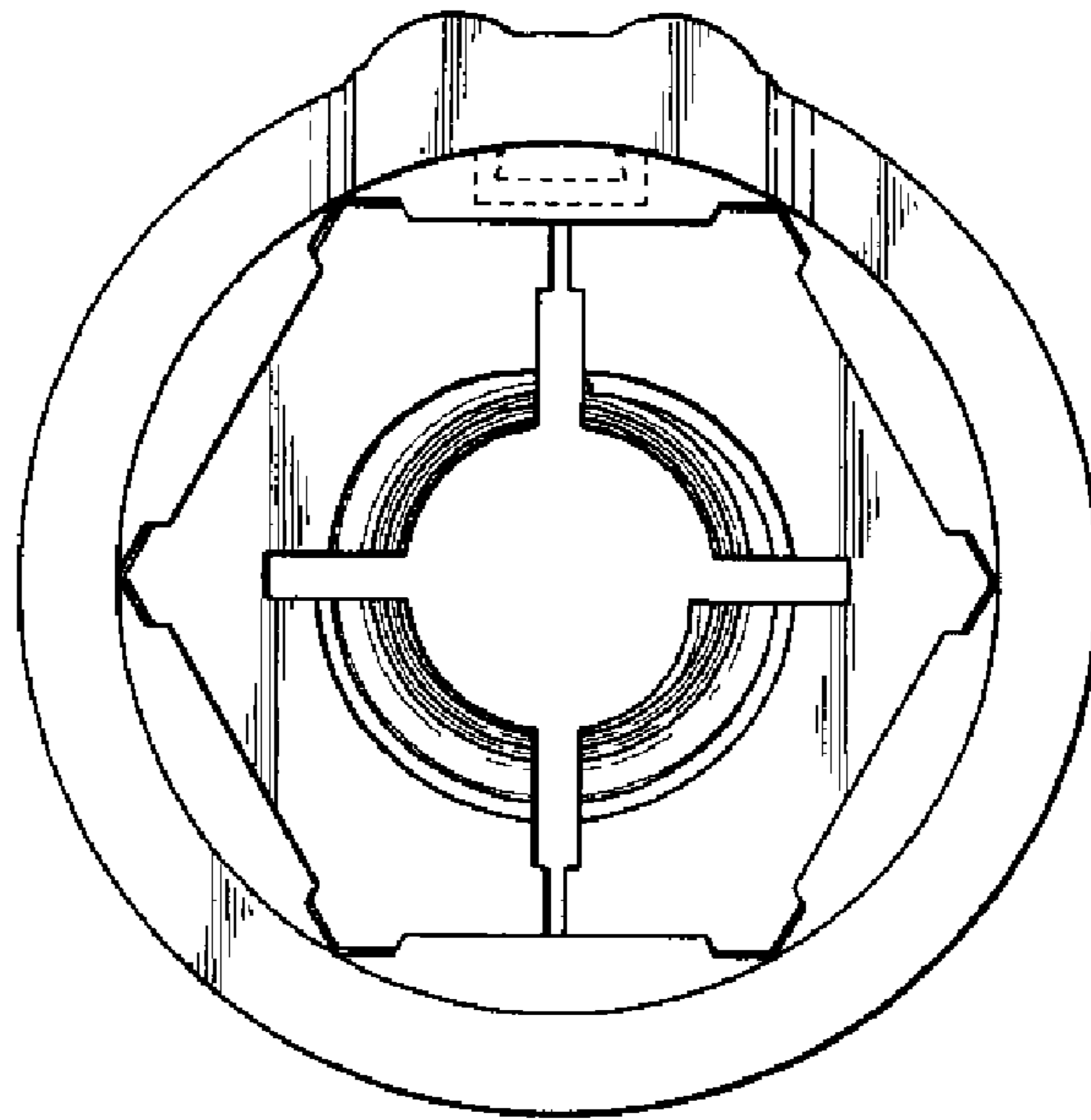


FIG. 7

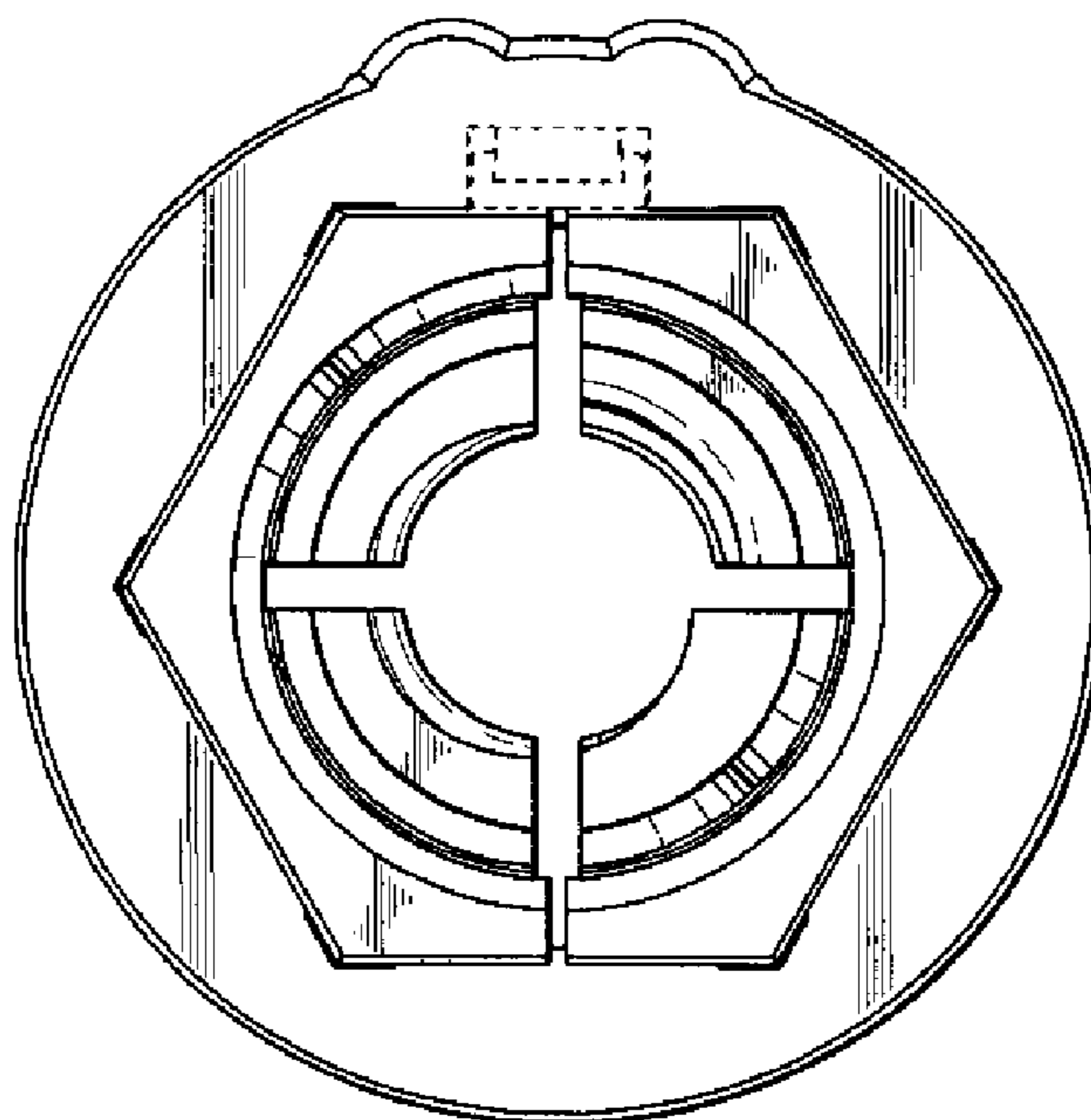


FIG. 8

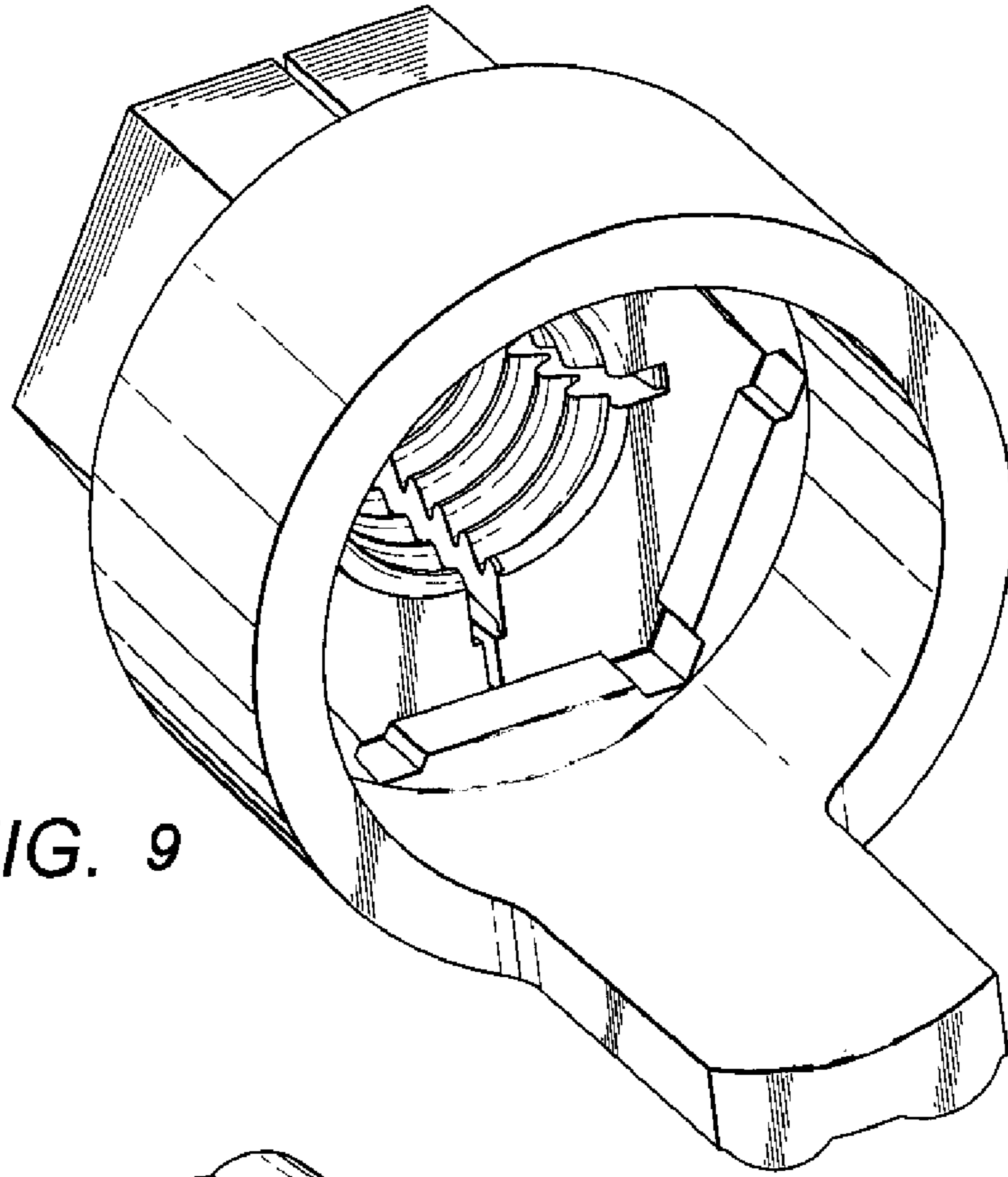


FIG. 9

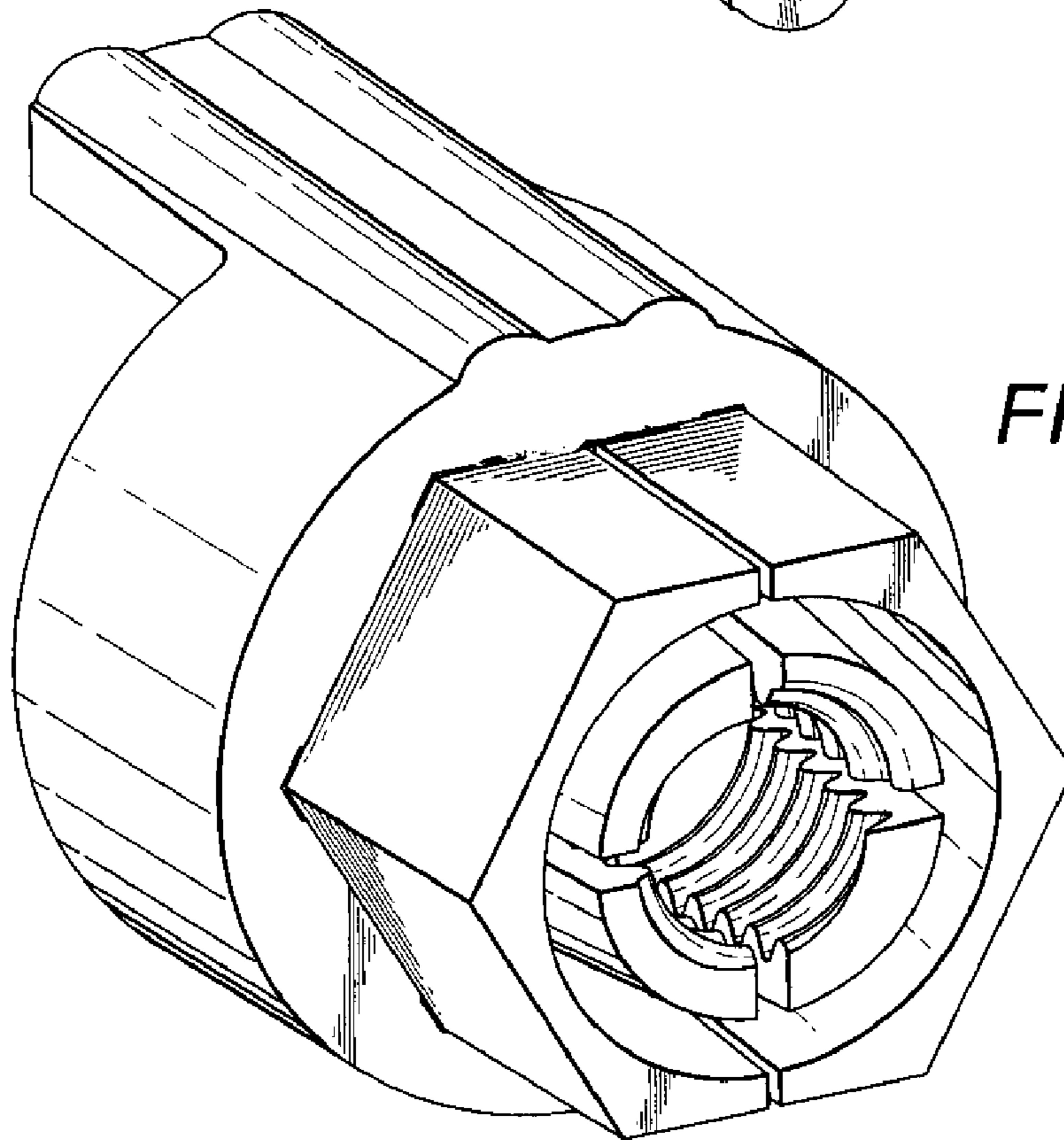


FIG. 10

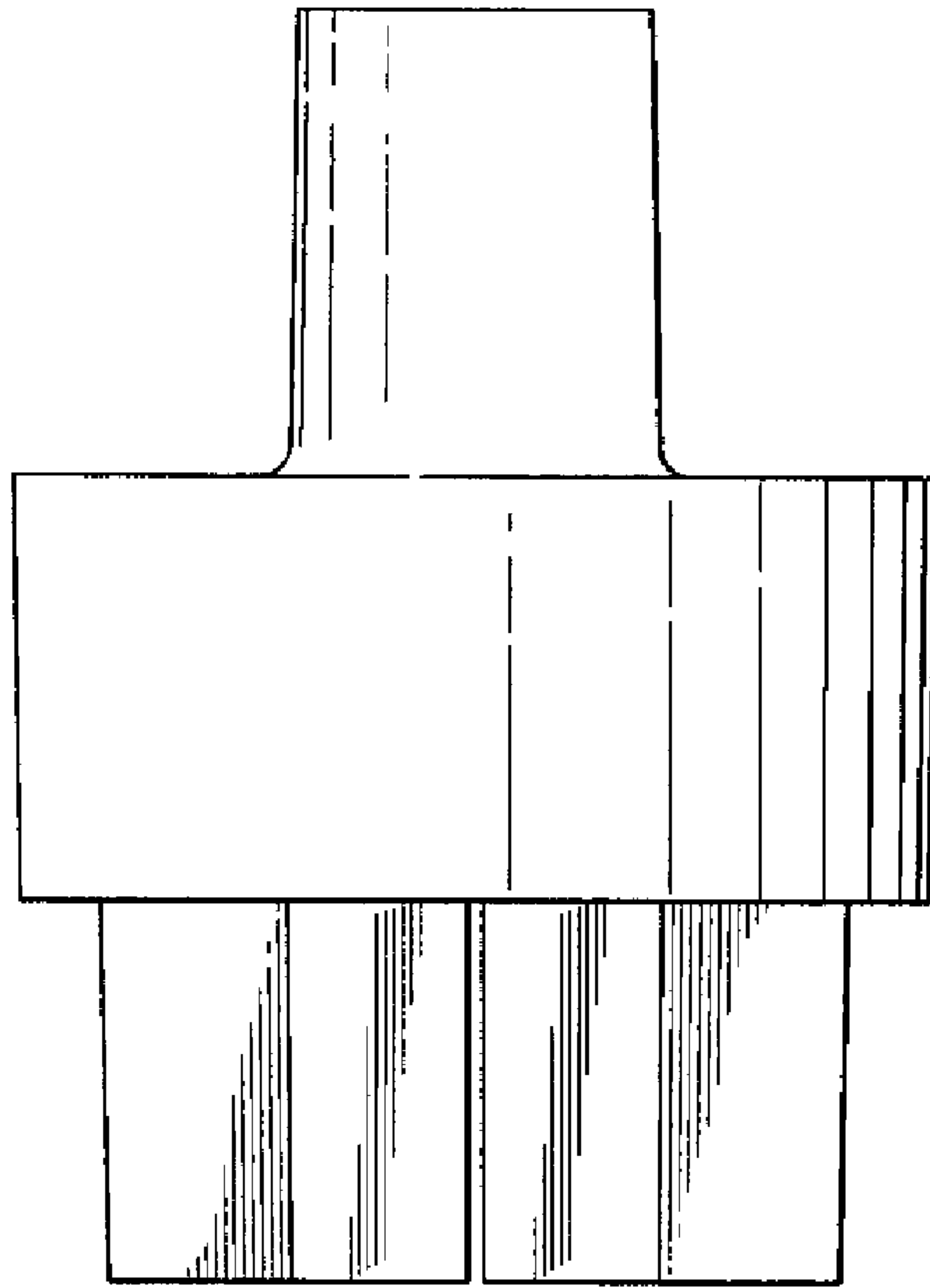


FIG. 11

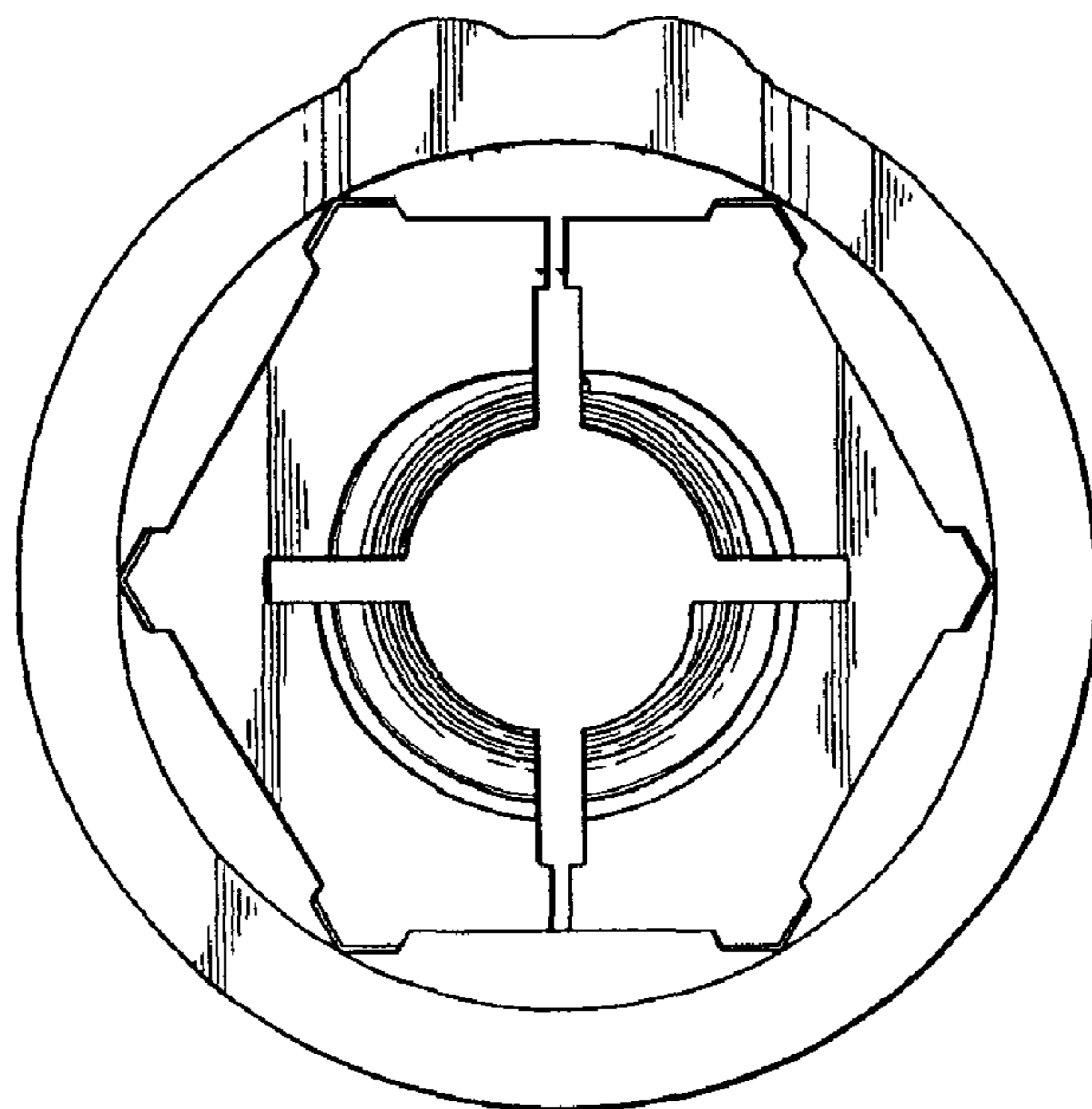


FIG. 12

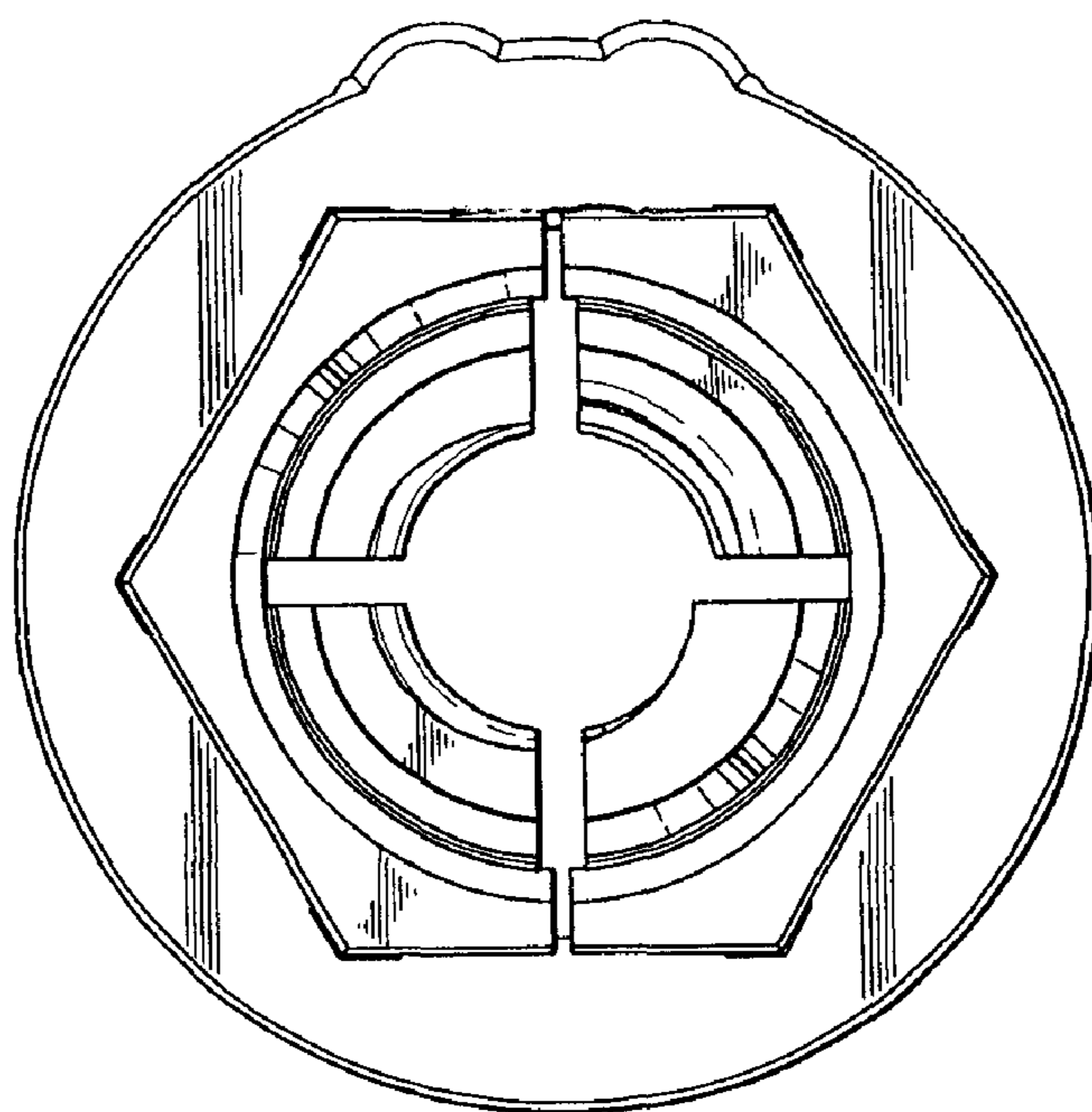


FIG. 13