



US00D600523S

(12) **United States Design Patent**
Adams et al.

(10) **Patent No.:** **US D600,523 S**

(45) **Date of Patent:** **** Sep. 22, 2009**

(54) **HAMMER**

(76) Inventors: **Robert Adams**, 1000 Greenleaf Ave.,
Elk Grove Village, IL (US) 60007; **Jared Hanlon**, 1000 Greenleaf Ave., Elk Grove
Village, IL (US) 60007

(**) Term: **14 Years**

(21) Appl. No.: **29/317,769**

(22) Filed: **May 6, 2008**

(51) **LOC (9) Cl.** **08-02**

(52) **U.S. Cl.** **D8/75**

(58) **Field of Classification Search** D8/75,
D8/76, 77, 78, 79, 80, 81; 81/20, 21; 7/143,
7/144, 145, 146, 147; 254/26 E, 27
See application file for complete search history.

6,370,986 B1	4/2002	Scott	
6,435,059 B1	8/2002	Martinez	
D465,714 S	11/2002	Stump et al.	
D470,380 S	2/2003	Huang	
6,536,308 B1	3/2003	Thorne et al.	
D478,264 S *	8/2003	Chen	D8/78
6,755,096 B2	6/2004	Schroder	
6,763,747 B1	7/2004	Gierer et al.	
6,874,186 B2	4/2005	Lin	
6,961,985 B2	11/2005	Boys	
D517,888 S	3/2006	DeBoer et al.	
D519,348 S *	4/2006	Chen	D8/75
D521,342 S *	5/2006	Youngren	D8/75
7,178,428 B2	2/2007	Schroder	
D549,064 S *	8/2007	Youngren et al.	D8/75
7,320,266 B1	1/2008	Mueller	
2001/0029813 A1	10/2001	Schroder	
2002/0112572 A1	8/2002	Pimentel	
2003/0145686 A1	8/2003	Schroder	

* cited by examiner

Primary Examiner—Philip S Hyder
(74) *Attorney, Agent, or Firm*—Joel D. Myers; Myers IP Law,
LLC

(56) **References Cited**

U.S. PATENT DOCUMENTS

1,304,647 A	5/1919	Basta	
2,603,260 A	7/1952	Floren	
4,039,012 A	8/1977	Cook	
D303,208 S	9/1989	Chung	
D308,007 S	5/1990	Ferguson et al.	
4,936,586 A	6/1990	Van Raemdonck	
5,289,742 A	3/1994	Vaughan, Jr.	
5,704,259 A	1/1998	Riehle	
5,896,788 A	4/1999	Hreha et al.	
5,911,795 A	6/1999	Tucker	
5,916,338 A	6/1999	Bergkvist et al.	
D416,462 S	11/1999	Pringle et al.	
D420,881 S	2/2000	Davis et al.	
D426,128 S	6/2000	Lamond et al.	
D431,988 S *	10/2000	Staton	D8/75
6,128,977 A	10/2000	Gierer et al.	
6,202,511 B1	3/2001	Murray et al.	
D442,048 S *	5/2001	Coonrad	D8/75
D452,126 S *	12/2001	Hung	D8/75

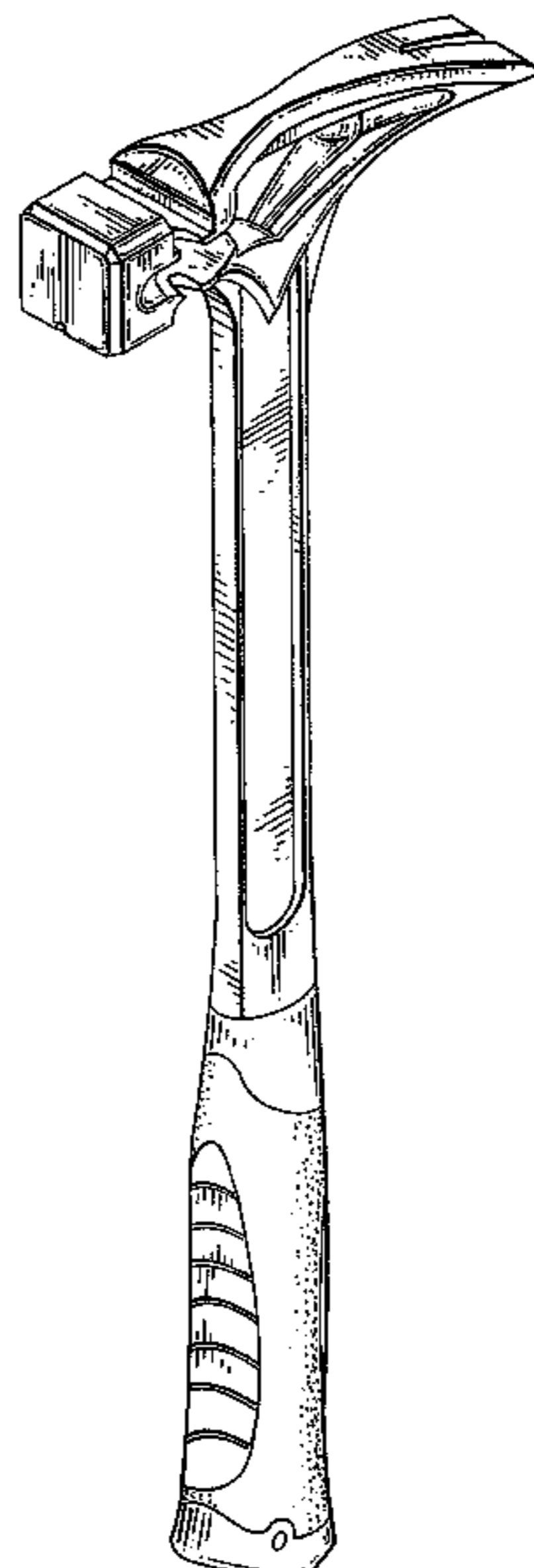
(57) **CLAIM**

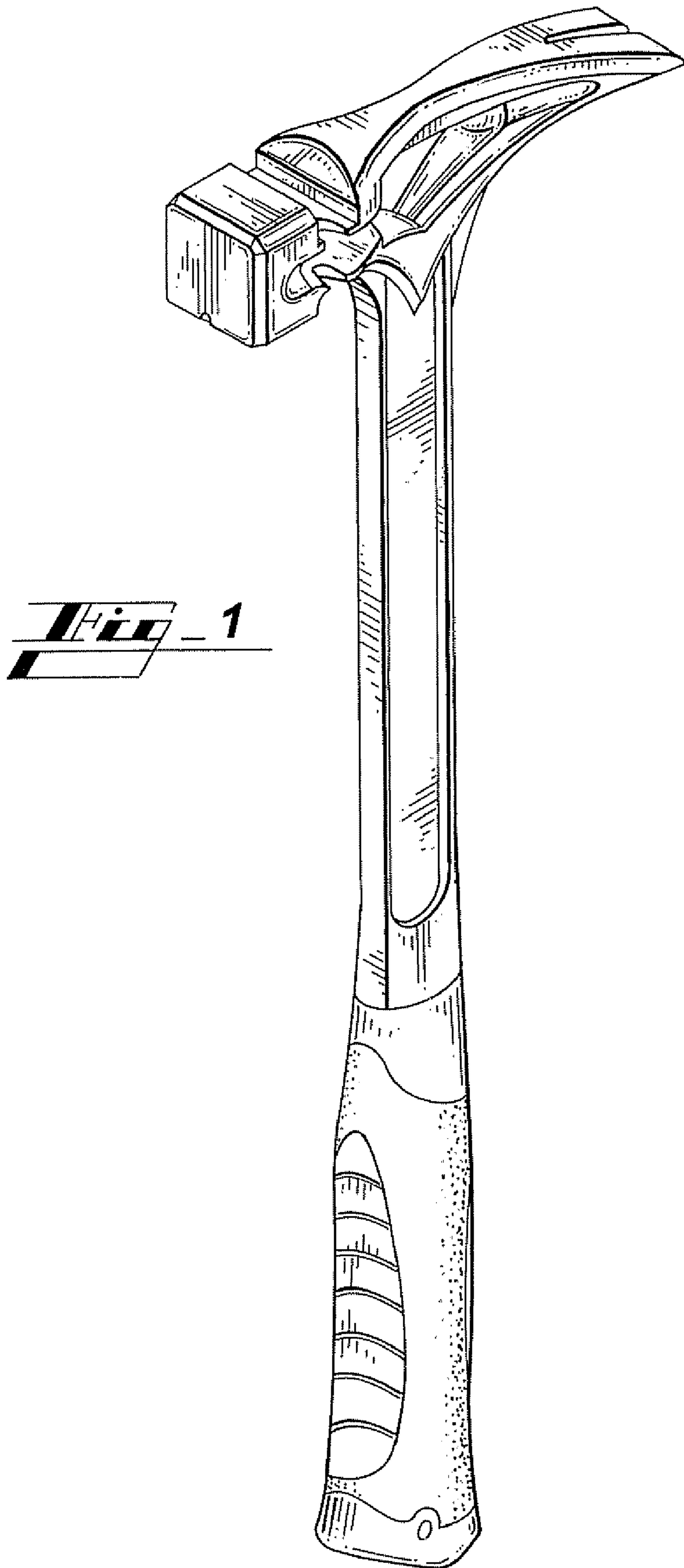
The ornamental design for a hammer, as described and shown.

DESCRIPTION

FIG. 1 is a perspective view of the hammer.
FIG. 2 is a front plan view of the hammer.
FIG. 3 is right side elevation of the hammer.
FIG. 4 is a back plan view of the hammer.
FIG. 5 is a left side elevation of the hammer.
FIG. 6 is a top view of the hammer; and,
FIG. 7 is a bottom view of the hammer.

1 Claim, 4 Drawing Sheets





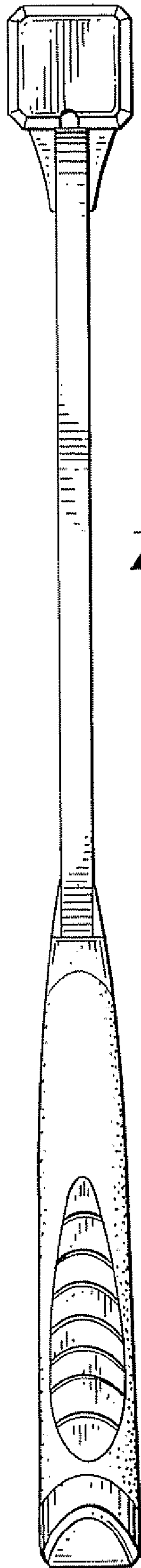


Fig. 2

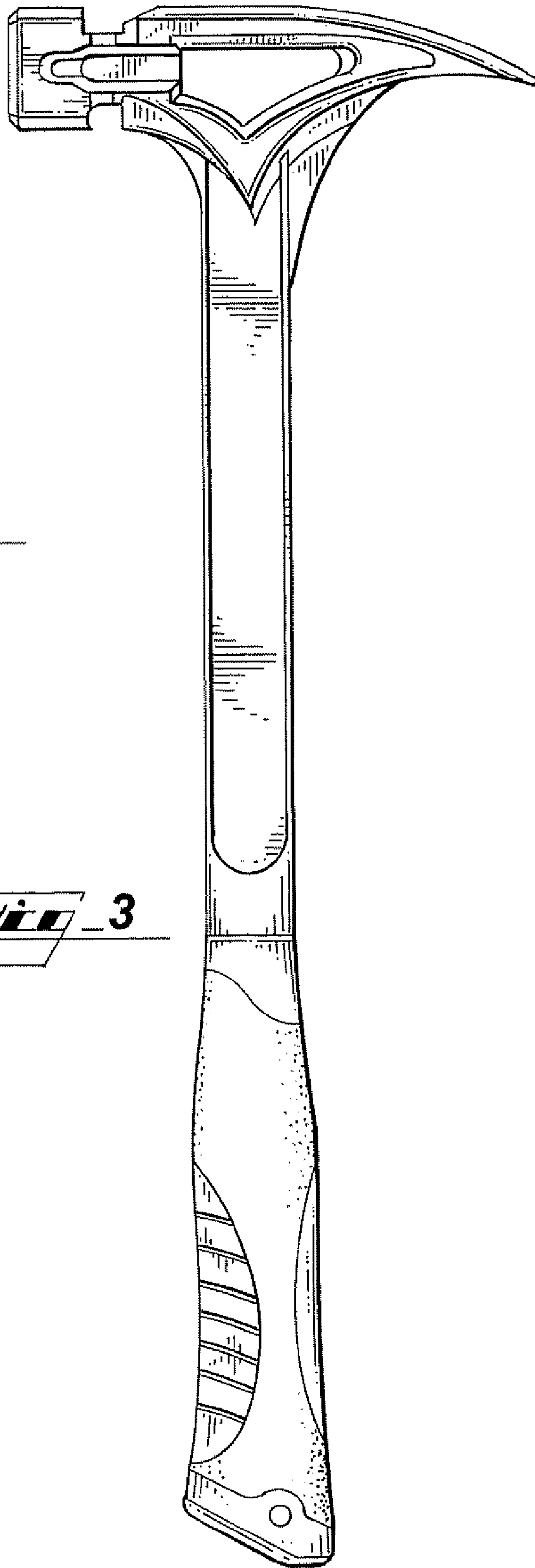


Fig. 3

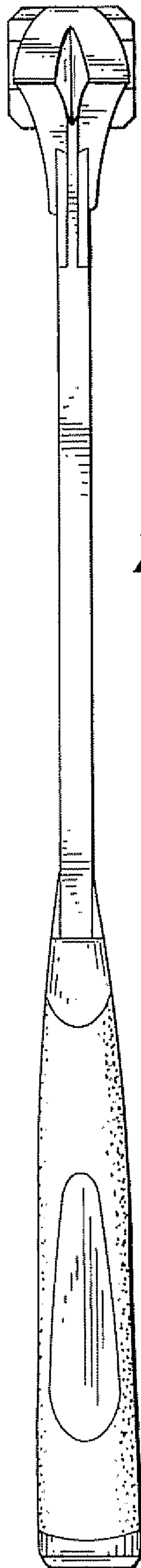


Fig. 4

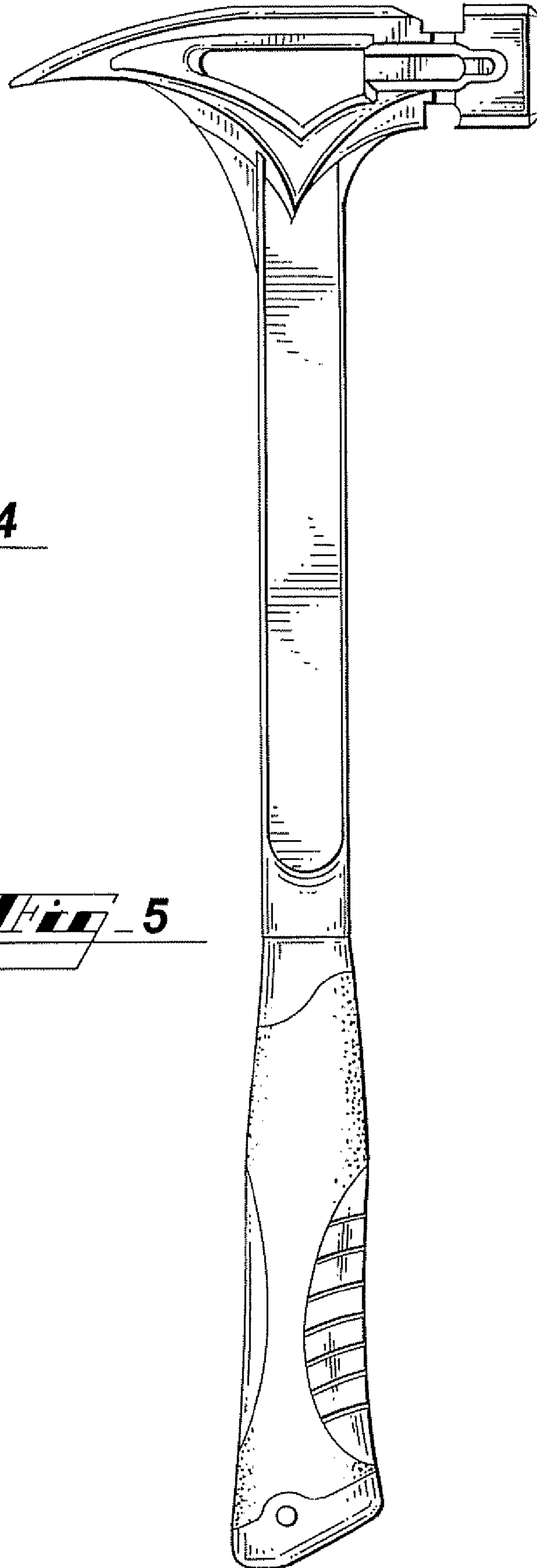


Fig. 5

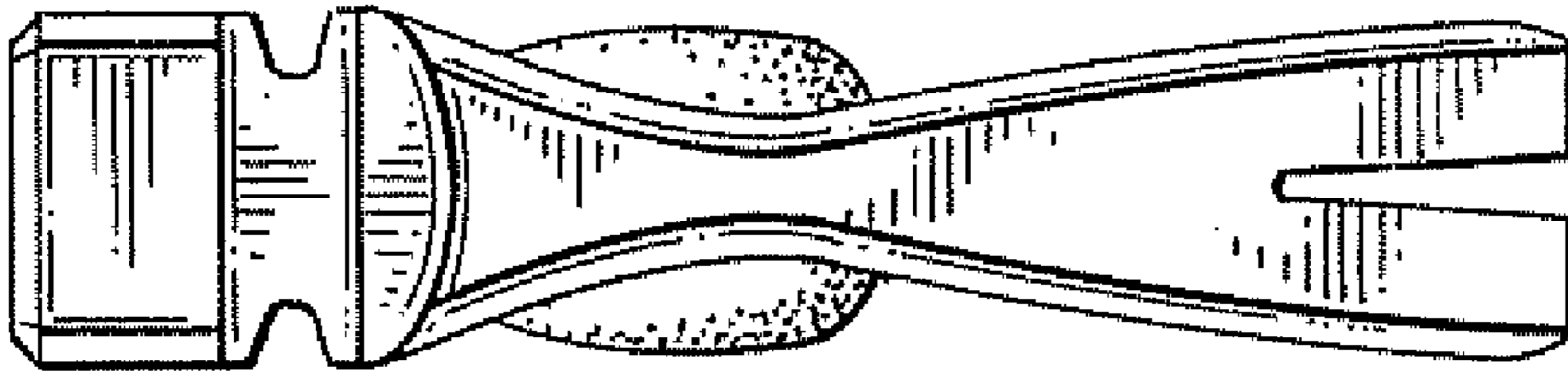


Fig. 6

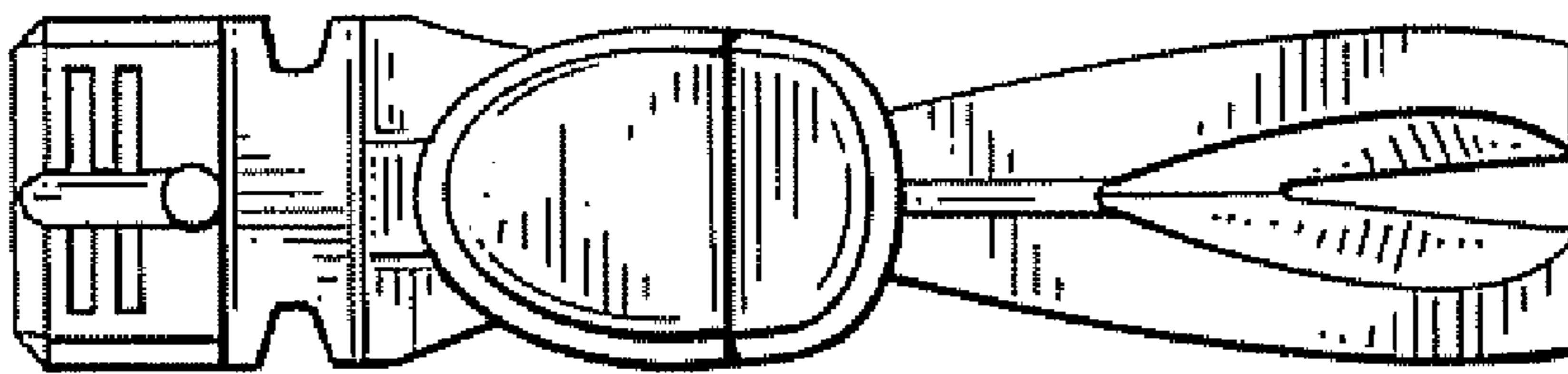


Fig. 7