



US00D600522S

(12) **United States Design Patent**  
**Hillman**

(10) **Patent No.:** **US D600,522 S**

(45) **Date of Patent:** **\*\* Sep. 22, 2009**

(54) **CLAMP**

(75) **Inventor:** **Paul D. Hillman**, Albuquerque, NM  
(US)

(73) **Assignee:** **The United States of America as  
represented by the Secretary of the Air  
Force**, Washington, DC (US)

(\*\*) **Term:** **14 Years**

(21) **Appl. No.:** **29/306,820**

(22) **Filed:** **Apr. 16, 2008**

(51) **LOC (9) Cl.** ..... **08-05**

(52) **U.S. Cl.** ..... **D8/72**

(58) **Field of Classification Search** ..... D8/71-74,  
D8/394-399, 354, 355, 356, 59, 330, 387;  
248/62, 63, 72, 74.1, 689, 124.2; 81/487;  
269/3, 4, 6, 143, 165, 240, 243, 246-249,  
269/254 R, 147-149, 97-100, 900, 45; 29/256,  
29/257, 276, 283; D15/140; D24/143, 140  
See application file for complete search history.

(56) **References Cited**

**U.S. PATENT DOCUMENTS**

D23,658 S *	9/1894	McKay	.....	D8/71
4,647,027 A *	3/1987	Shafto	.....	269/100
D341,127 S *	11/1993	Sachs	.....	D8/387
D354,810 S *	1/1995	Nazre	.....	D24/140
5,586,754 A *	12/1996	Williams	.....	269/147
D385,484 S *	10/1997	Zito	.....	D8/396
D387,971 S *	12/1997	Nemeckay	.....	D8/354
D390,091 S *	2/1998	Munger	.....	D8/355

5,713,118 A *	2/1998	Swann et al.	.....	29/283
D406,748 S *	3/1999	Byrne	.....	D8/356
6,158,728 A *	12/2000	Smith	.....	269/99
D554,976 S *	11/2007	Hutter, III	.....	D8/354
D562,124 S *	2/2008	Hargis	.....	D8/394

\* cited by examiner

*Primary Examiner*—T. Chase Nelson

*Assistant Examiner*—David G Muller

(74) *Attorney, Agent, or Firm*—James M. Skorich

(57) **CLAIM**

The ornamental design for a clamp, as shown and described.

**DESCRIPTION**

FIG. 1 is an oblique view of the clamp of the subject invention, with the clamp being attached to a breadboard by a threaded bolt, and with the clamp fastening a pedestal to the breadboard; the breadboard, bolt and pedestal shown in broken lines depict use and environment only and form no part of the claimed design;

FIG. 2 is a right side elevation view thereof;

FIG. 3 is a top plan view thereof;

FIG. 4 is an oblique view thereof, shown without environmental features;

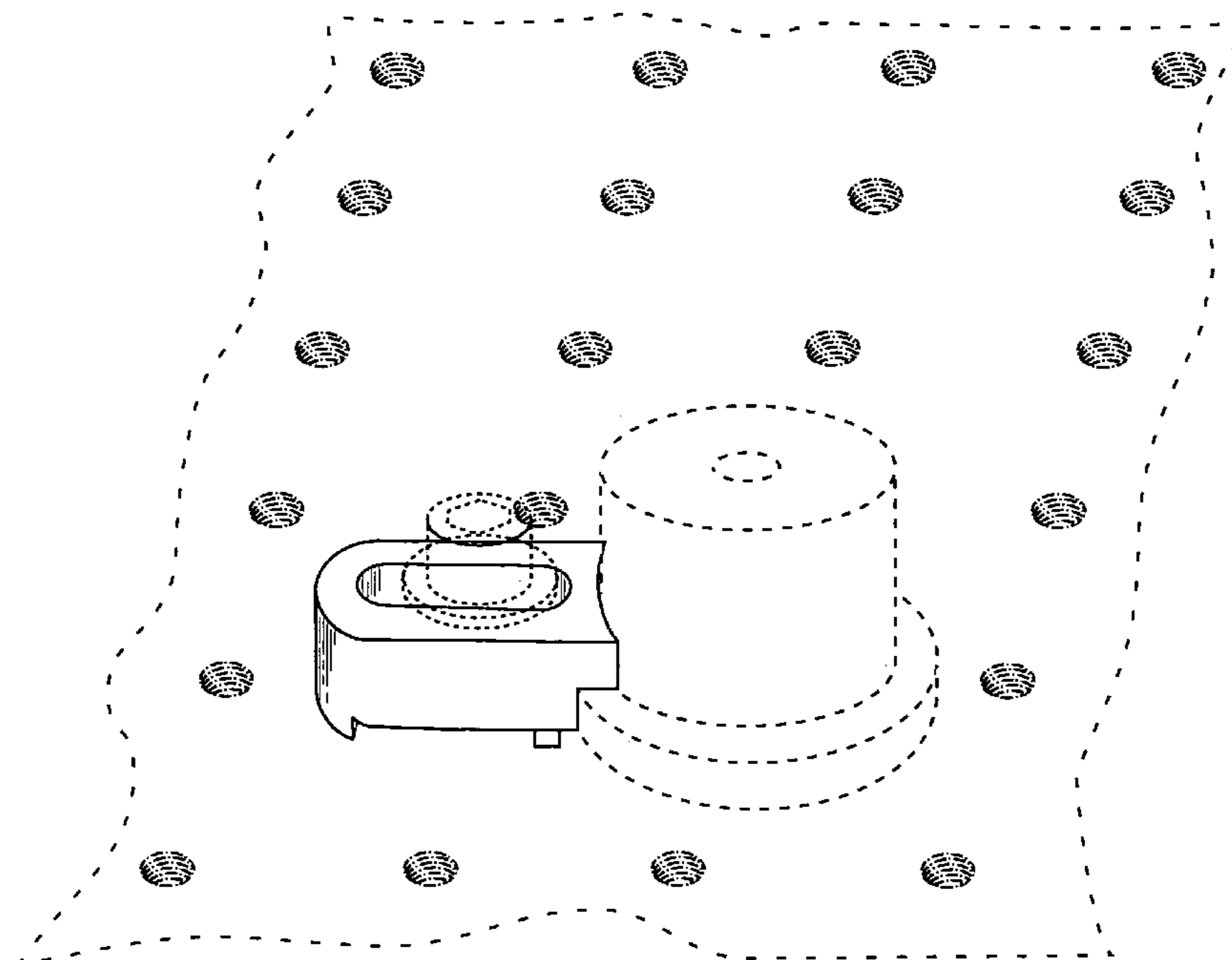
FIG. 5 is a right side elevation view thereof, the left side being a mirror image of the right side shown;

FIG. 6 is a top plan view thereof;

FIG. 7 is a bottom plan view thereof; and,

FIG. 8 is a front elevation view thereof.

**1 Claim, 3 Drawing Sheets**



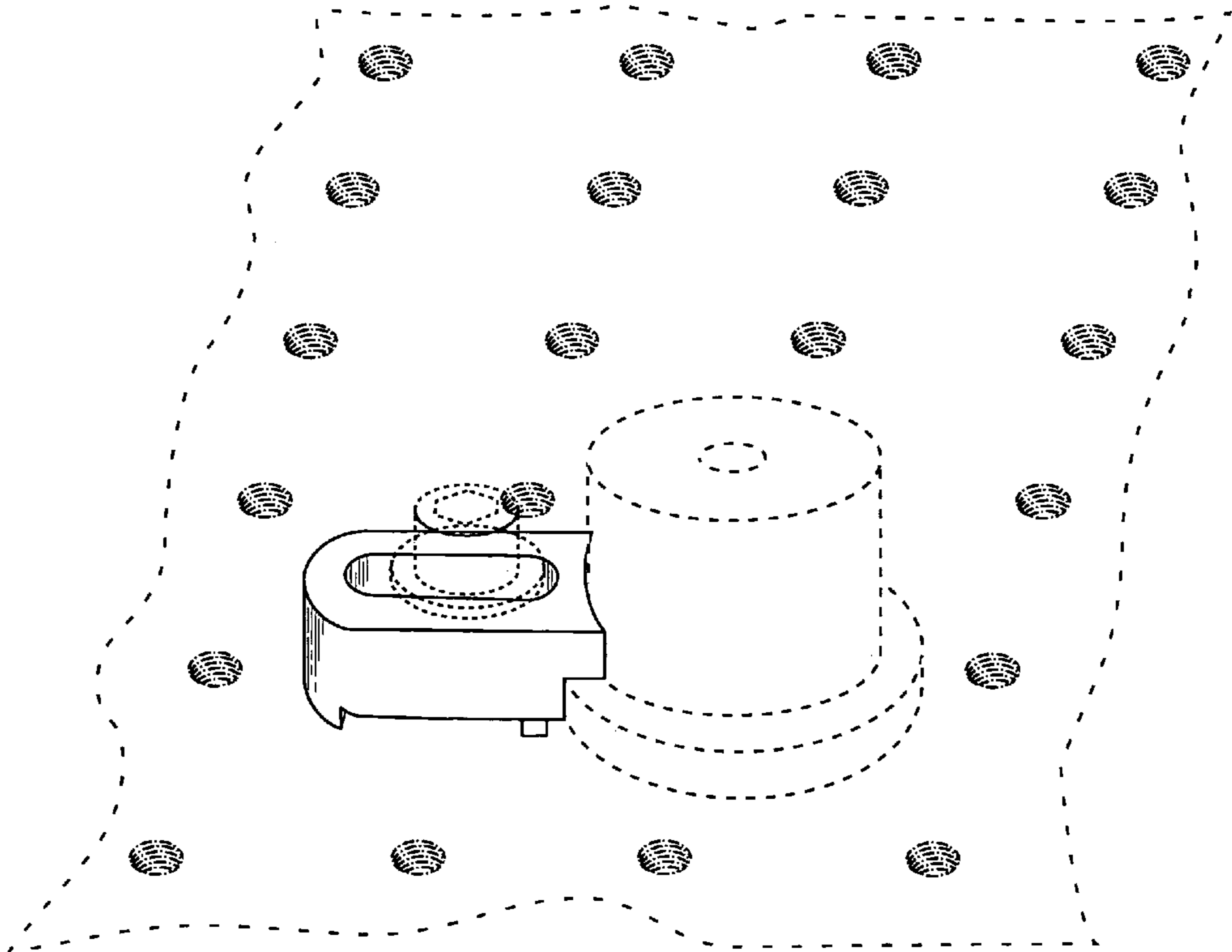


Fig. 1

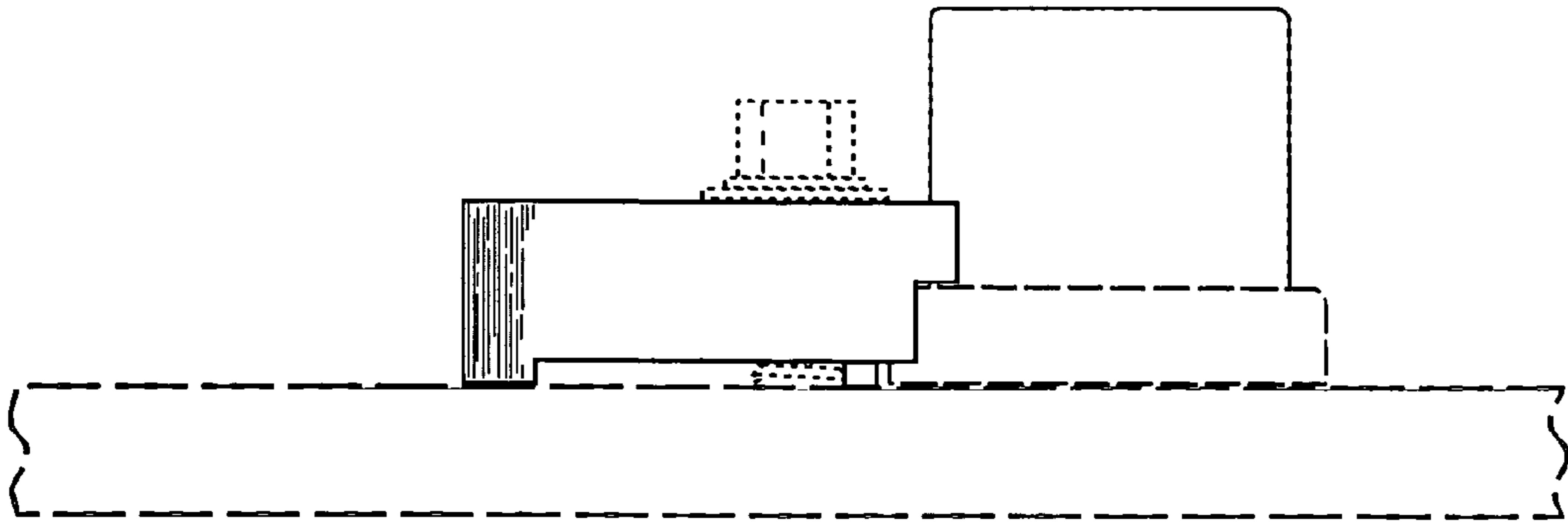


Fig. 2

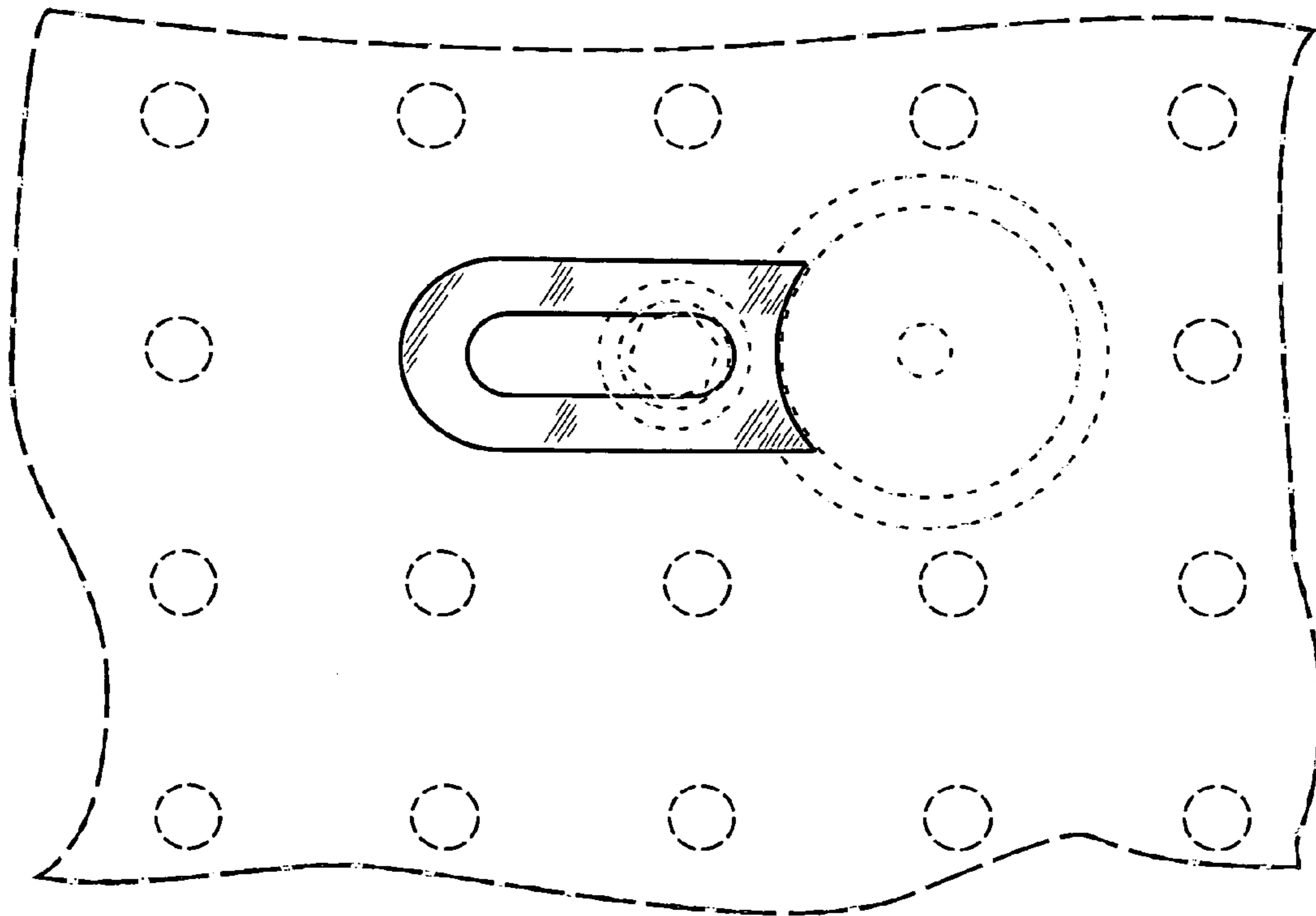


Fig. 3

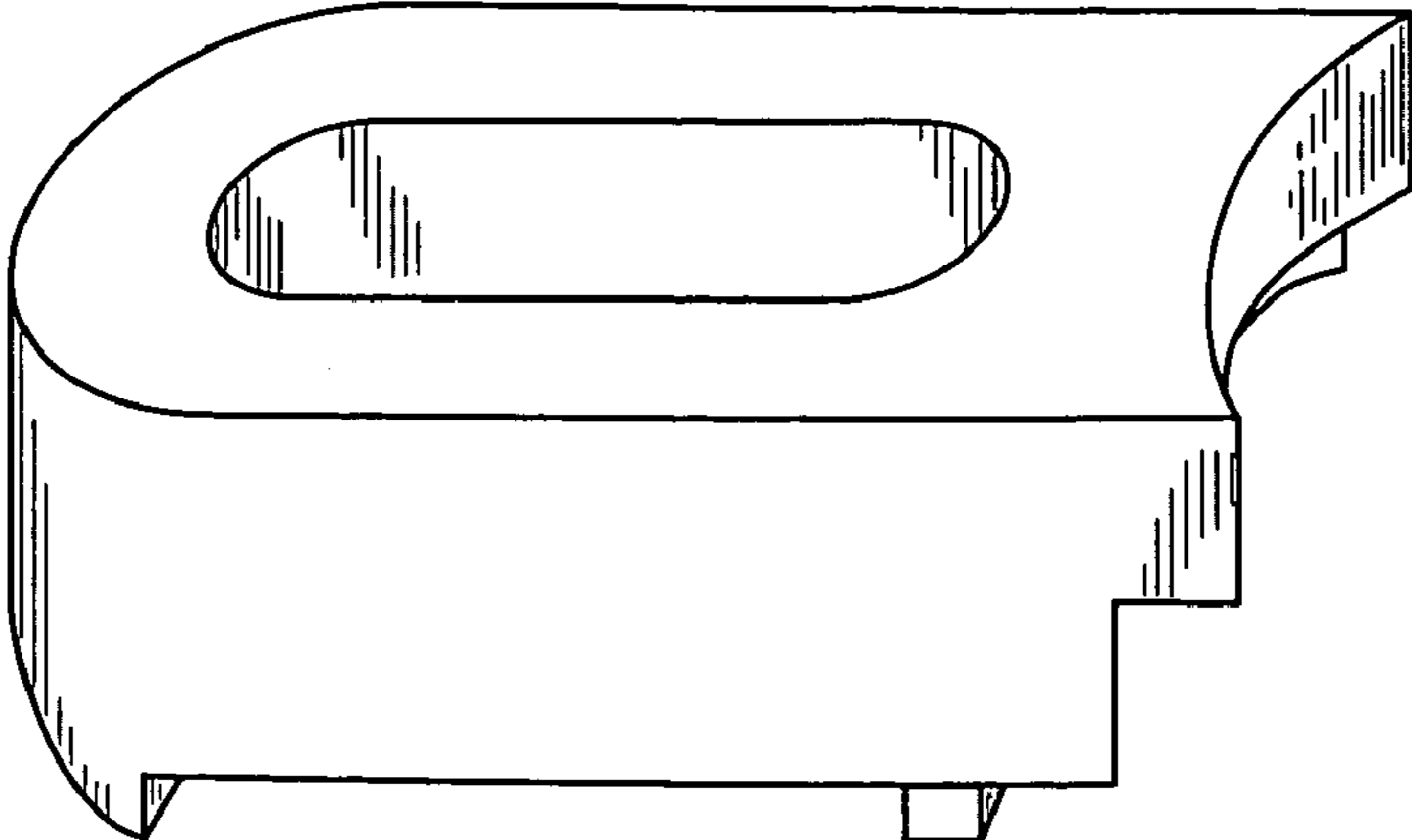


Fig. 4

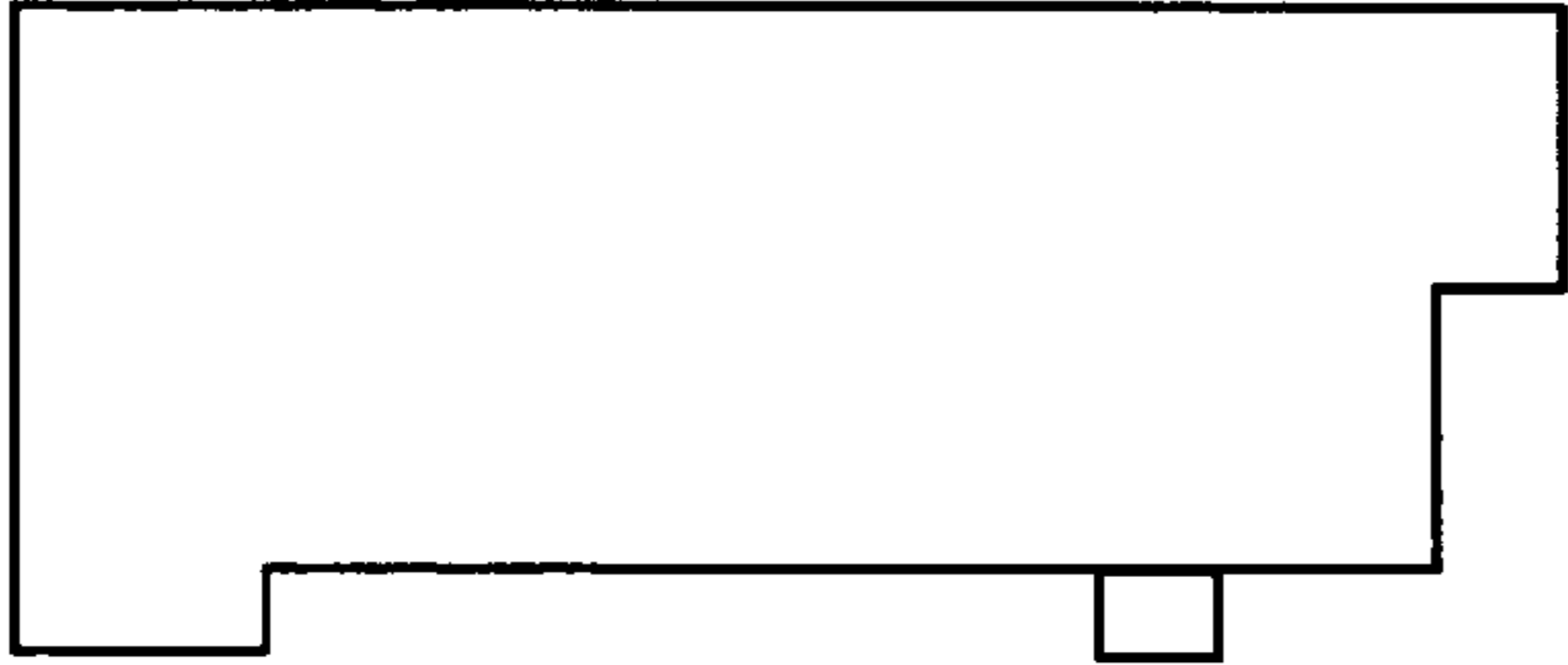


Fig. 5

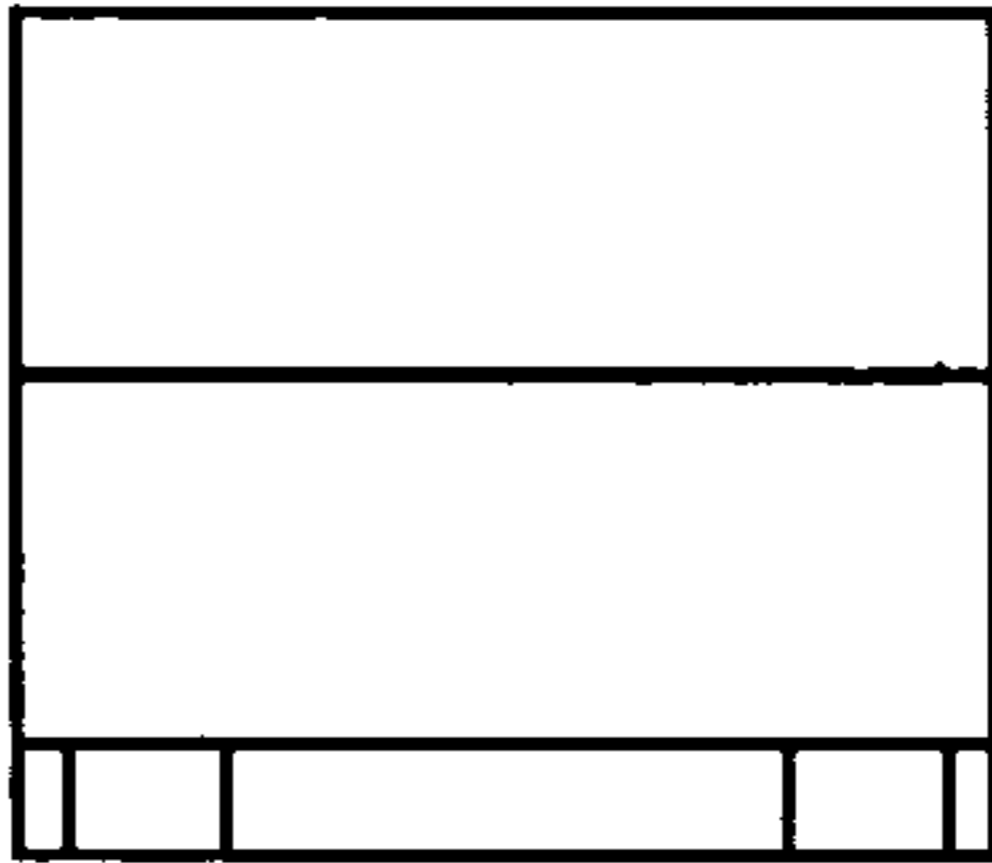


Fig. 8

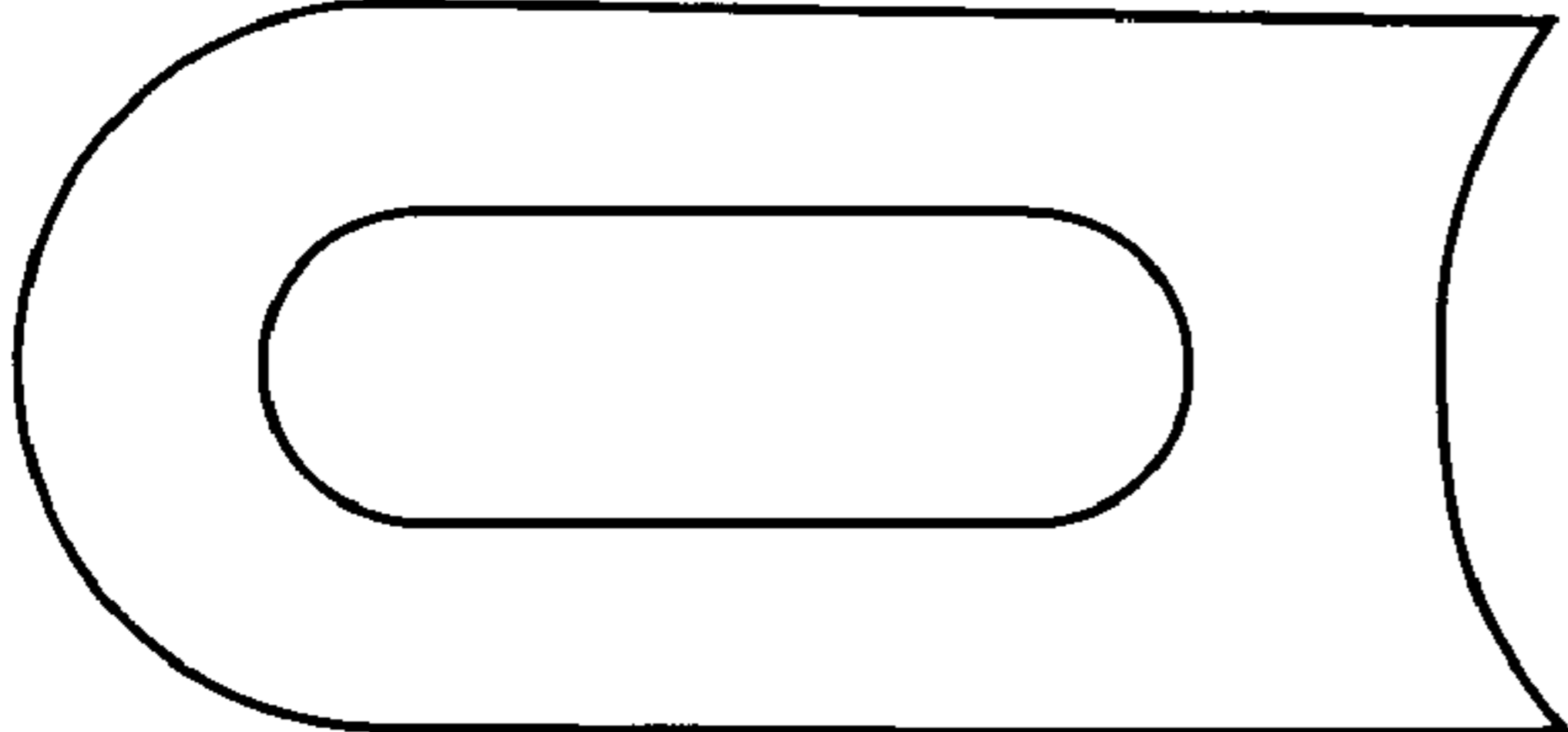


Fig. 6

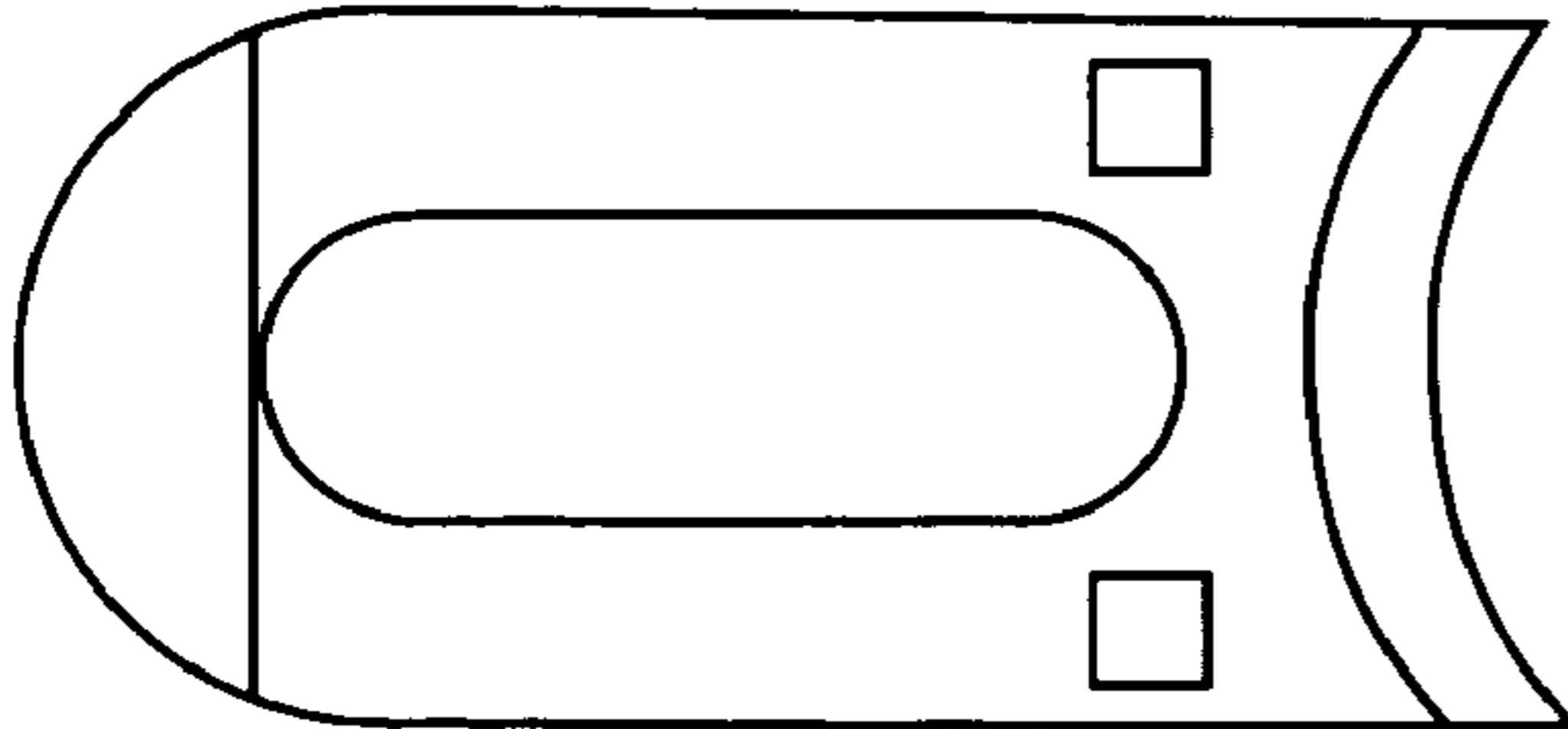


Fig. 7