



US00D600514S

(12) **United States Design Patent**
Butcher et al.

(10) **Patent No.:** **US D600,514 S**

(45) **Date of Patent:** **** Sep. 22, 2009**

(54) **BLADES FOR PRUNING SHEARS**

(75) Inventors: **Nicholas Butcher**, Ipswich (GB);
Richard Poole, Bury St. Edmunds (GB)

(73) Assignee: **Robert Bosch GmbH**, Stuttgart (DE)

(**) Term: **14 Years**

(21) Appl. No.: **29/329,675**

(22) Filed: **Dec. 19, 2008**

(51) **LOC (9) Cl.** **08-01**

(52) **U.S. Cl.** **D8/5**

(58) **Field of Classification Search** D8/52,
D8/54, 58, 68, 5; 30/131, 260, 262, 193-194,
30/296.1, 134, 203

See application file for complete search history.

(56) **References Cited**

U.S. PATENT DOCUMENTS

D450,551 S	*	11/2001	Lai	D8/5
D464,541 S	*	10/2002	Richwine et al.	D8/5
D476,199 S	*	6/2003	Richwine et al.	D8/5
D558,003 S	*	12/2007	Lai	D8/5

* cited by examiner

Primary Examiner—Holly H Baynham

Assistant Examiner—Sheryl Lane

(74) *Attorney, Agent, or Firm*—Victor A. Henzi

(57) **CLAIM**

The ornamental design for blades for pruning shears, as shown and described.

DESCRIPTION

FIG. 1 is a top front left perspective view of blades for pruning shears;

FIG. 2 is a front elevational view thereof;

FIG. 3 is a left elevational view thereof;

FIG. 4 is a rear elevational view thereof;

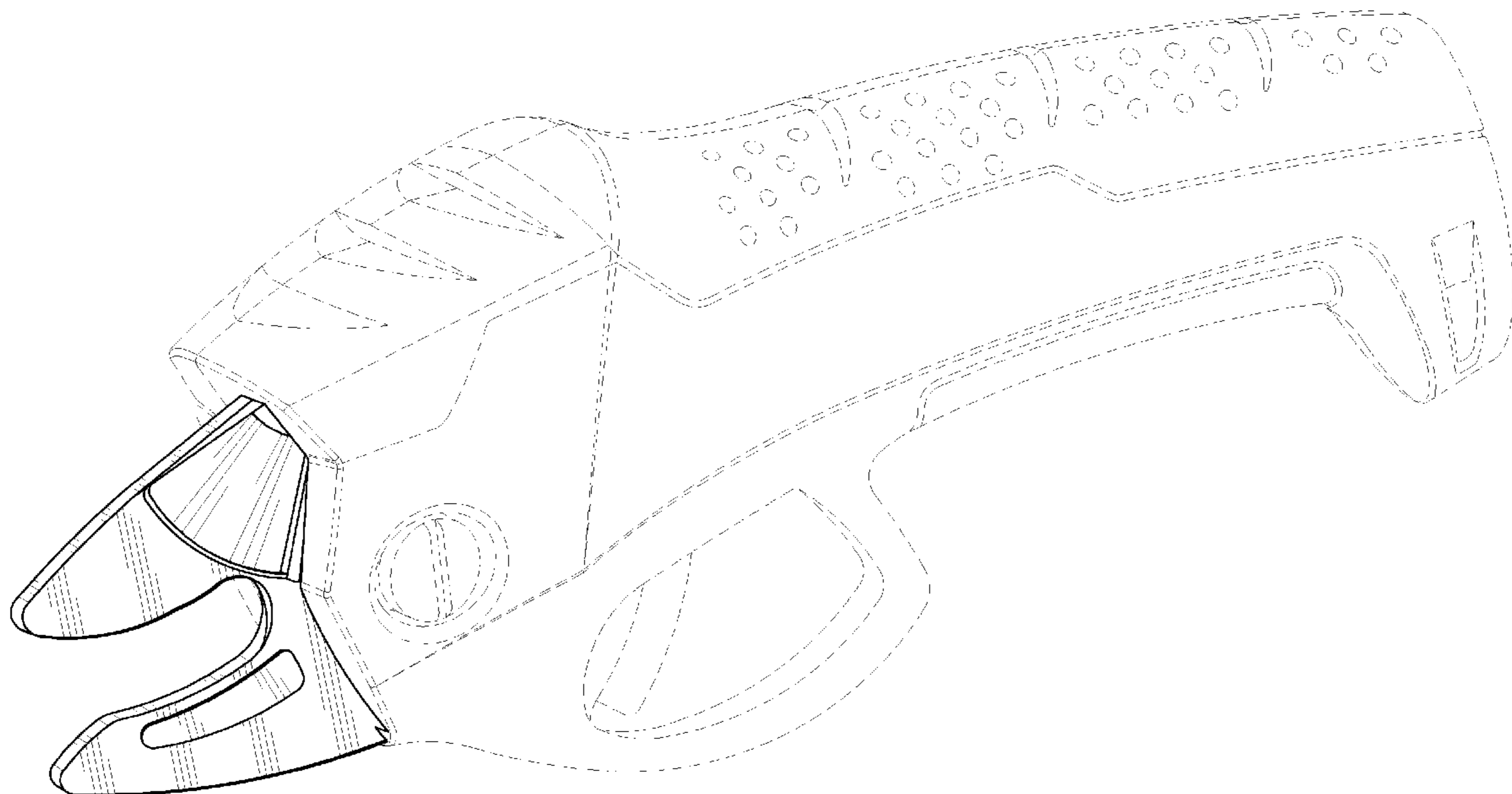
FIG. 5 is a right elevational view thereof;

FIG. 6 is a top plan view thereof; and,

FIG. 7 is a bottom plan view thereof.

The broken lines showing various portions of exemplary pruning shears are for illustrative purposes only and form no part of the claimed design.

1 Claim, 7 Drawing Sheets



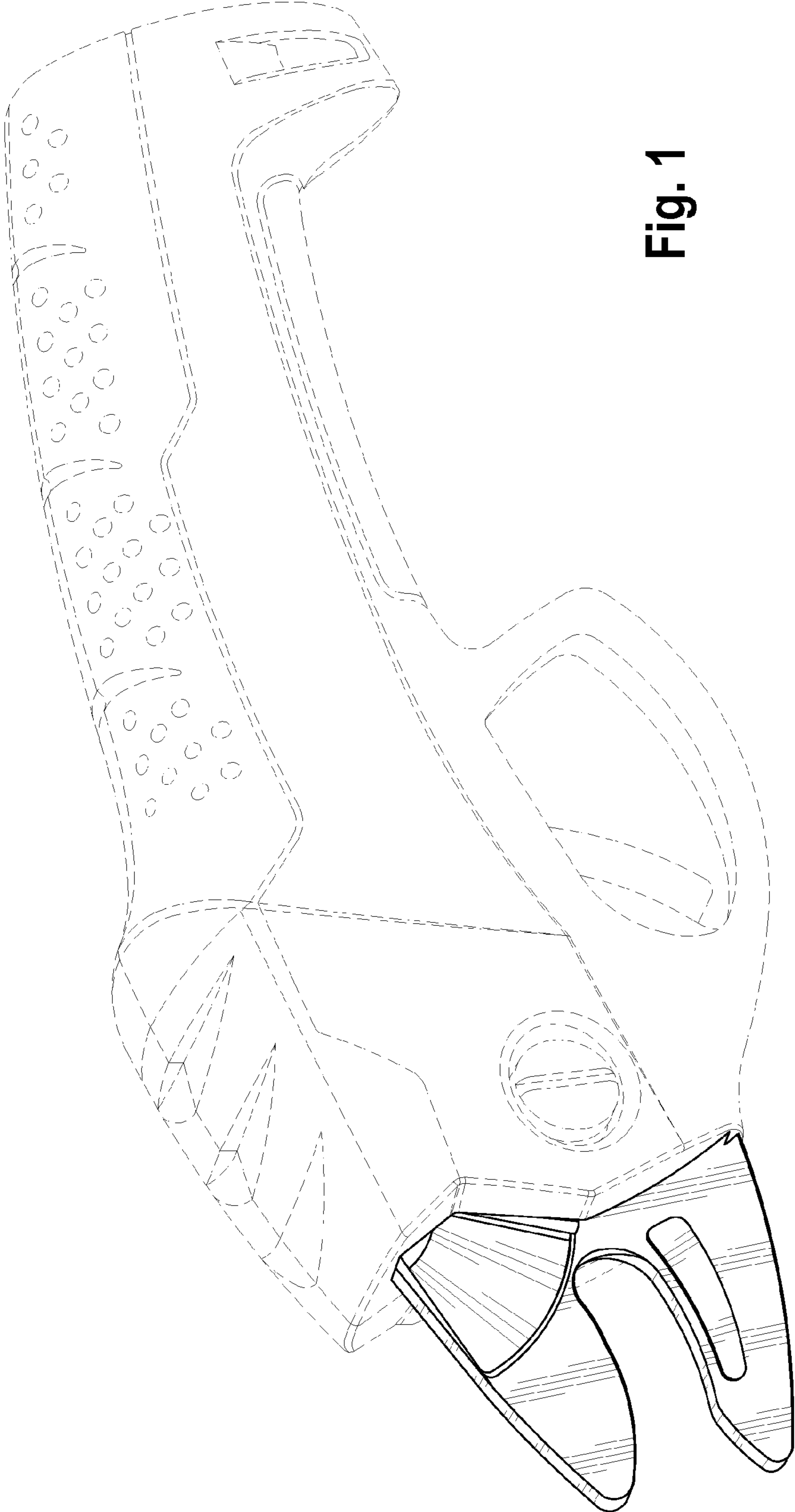


Fig. 1

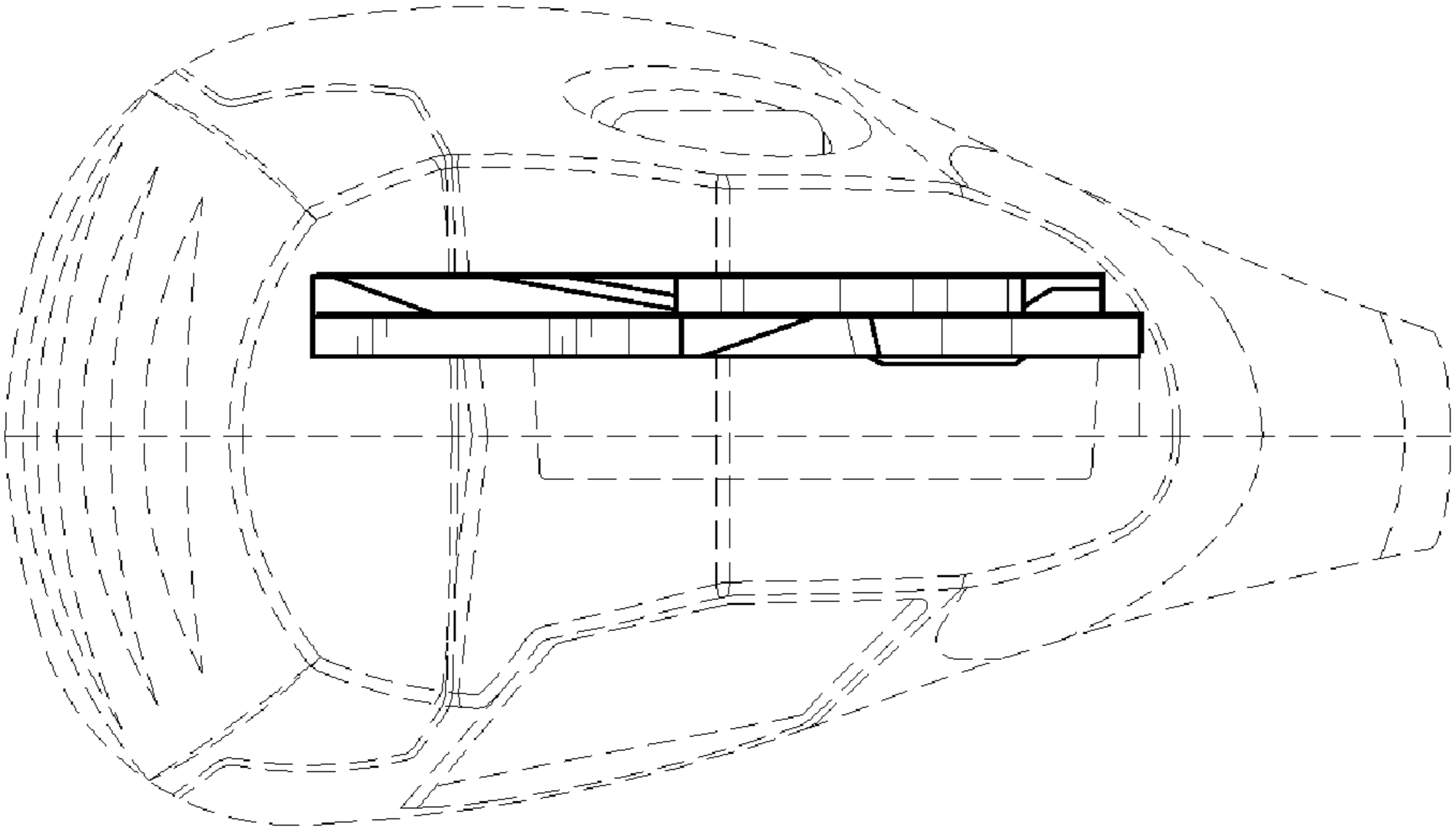


Fig. 2

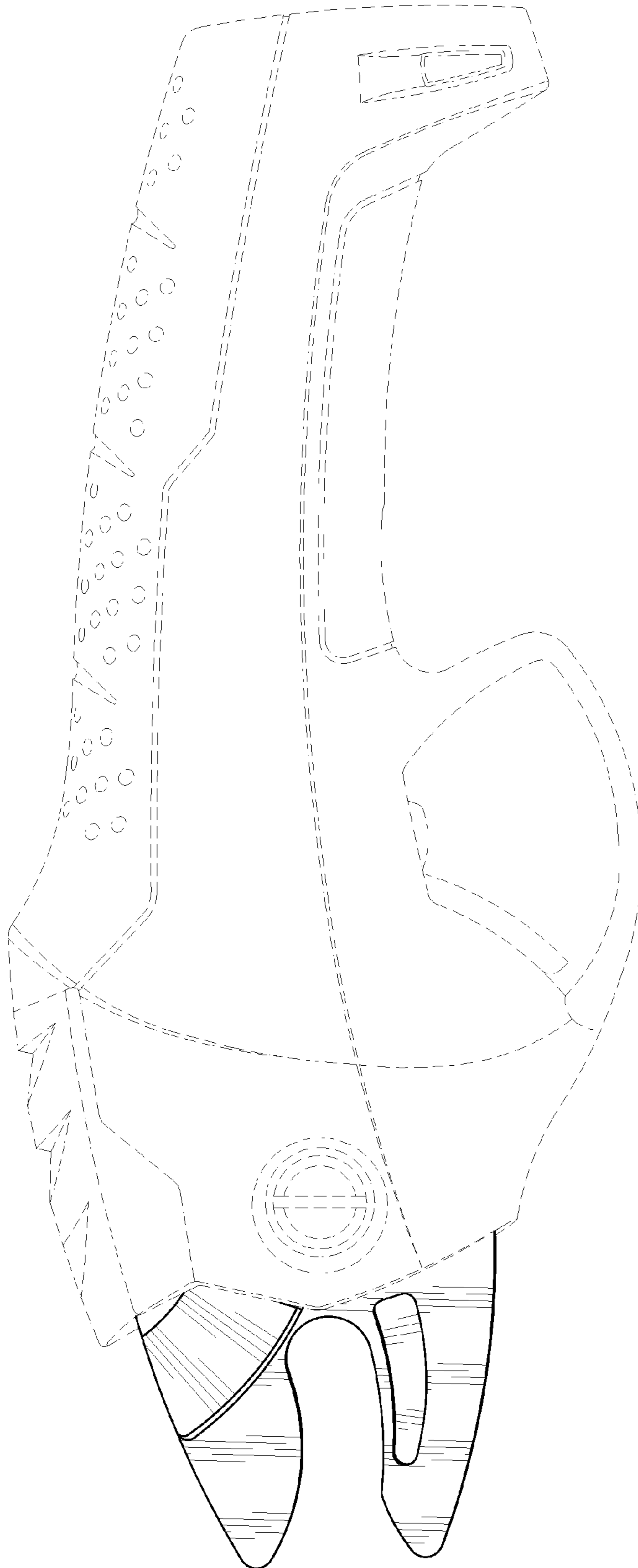


Fig. 3

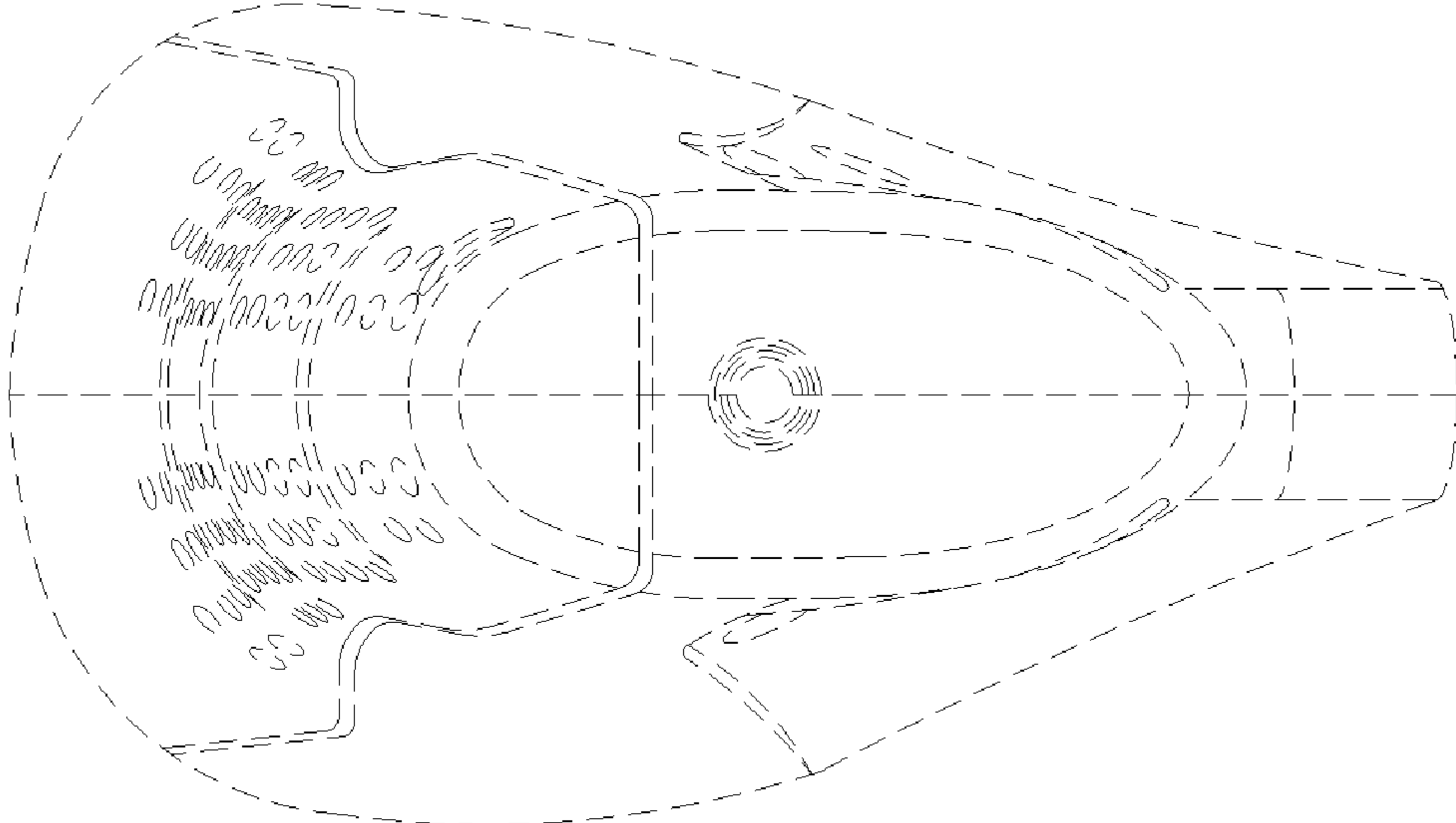


Fig. 4

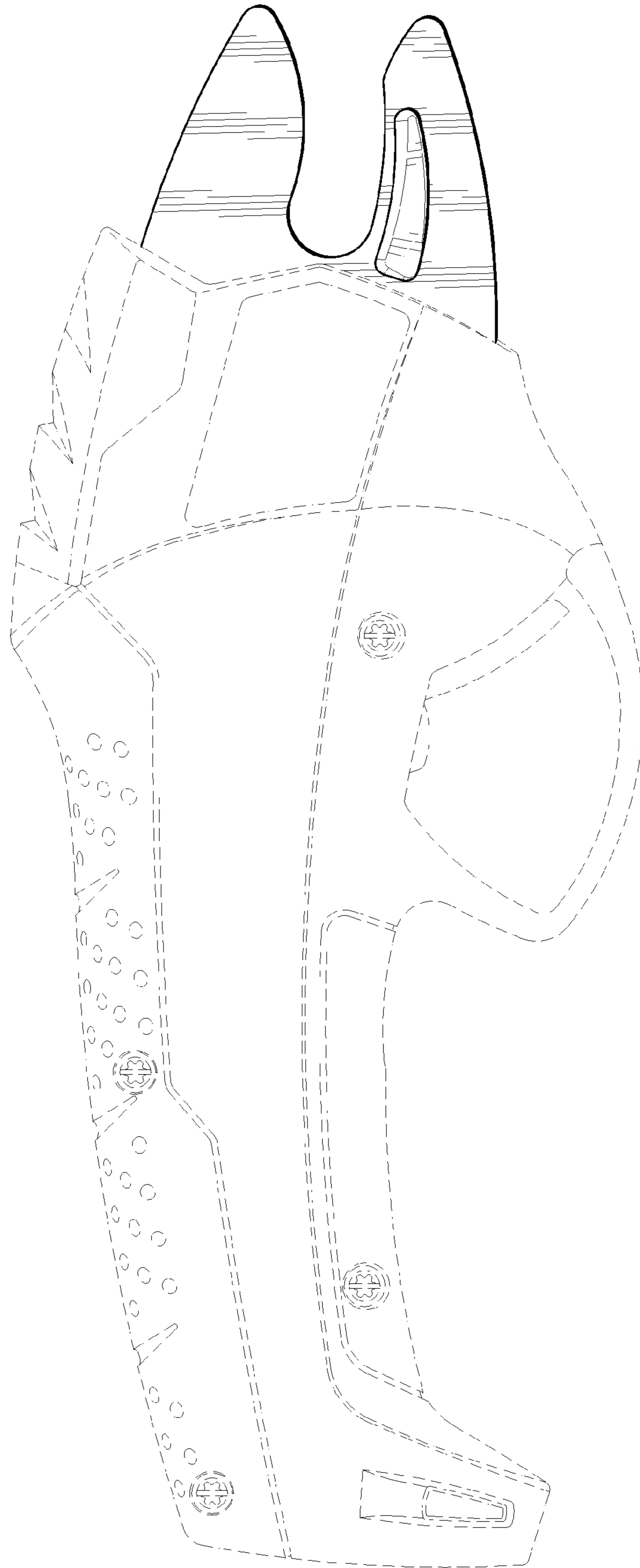


Fig. 5

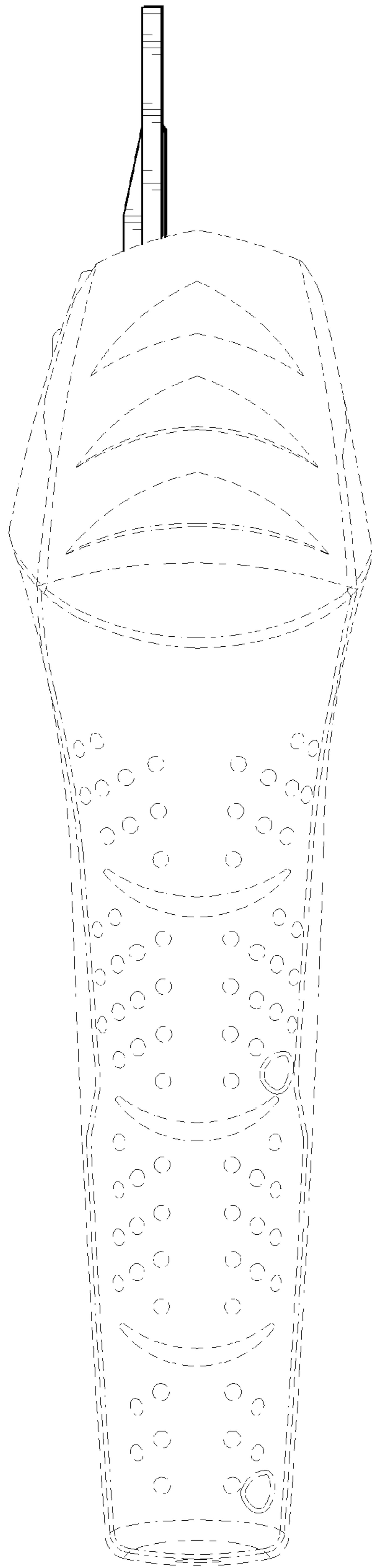


Fig. 6

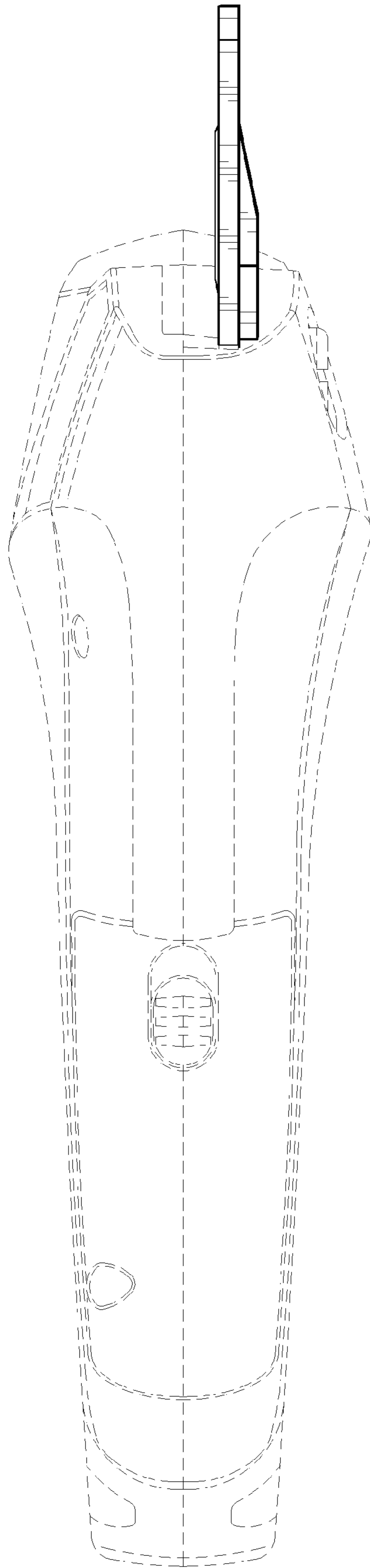


Fig. 7