



US00D600513S

(12) **United States Design Patent**
Vlahos

(10) **Patent No.:** **US D600,513 S**

(45) **Date of Patent:** **** Sep. 22, 2009**

(54) **CORN REMOVAL DEVICE**

(76) **Inventor:** **Stephanie Vlahos**, 74180 Chicory St.,
Palm Desert, CA (US) 92260

(**) **Term:** **14 Years**

(21) **Appl. No.:** **29/327,017**

(22) **Filed:** **Oct. 29, 2008**

(51) **LOC (9) Cl.** **07-06**

(52) **U.S. Cl.** **D7/693**

(58) **Field of Classification Search** D7/680-696,
D7/669, 368; 30/121.5, 298, 301, 130, 304,
30/123.5; 294/1.1, 55; 99/537, 567, 584;
D32/40, 42, 46

See application file for complete search history.

(56) **References Cited**

U.S. PATENT DOCUMENTS

265,995	A	10/1882	Towns	
917,976	A	4/1909	Thomas	
1,035,606	A	8/1912	Kohn	
1,414,372	A	5/1922	Olcott	
1,887,714	A	11/1932	Hemp	
1,894,493	A	1/1933	Olson	
2,282,660	A *	5/1942	Lee	99/567
2,509,452	A	5/1950	Robinson	
2,666,309	A *	1/1954	Anderson et al.	294/55
3,292,257	A	12/1966	Popeil	
3,674,035	A	7/1972	Edmiston	

6,644,180 B1 * 11/2003 Ward 99/567
2005/0258655 A1 * 11/2005 Matthews et al. 294/55

* cited by examiner

Primary Examiner—Terry A Wallace

(74) *Attorney, Agent, or Firm*—Buchanan, Ingersoll &
Rooney, PC

(57) **CLAIM**

The ornamental design for a corn removal device, as shown
and described.

DESCRIPTION

FIG. 1 is a perspective view of a corn removal device.

FIG. 2 is a front view of the corn removal device of FIG. 1.

FIG. 3 is a back view of the corn removal device of FIG. 1.

FIG. 4 is a side view of the corn removal device of FIG. 1.

FIG. 5 is another side view of the corn removal device of FIG.
1.

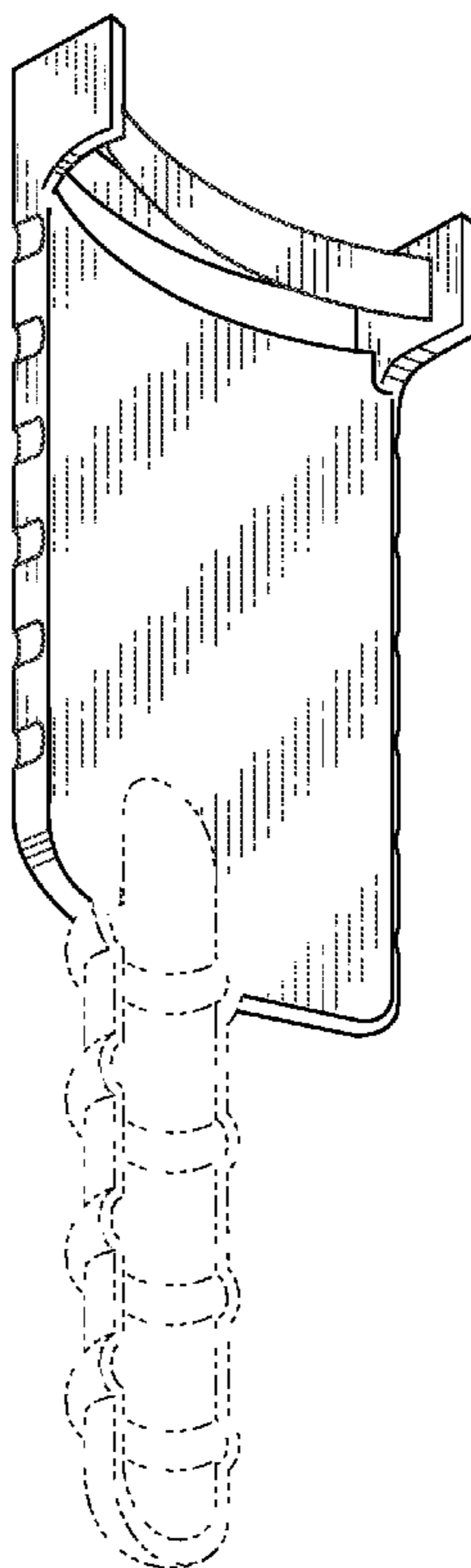
FIG. 6 is a top view of the corn removal device of FIG. 1; and,

FIG. 7 is a bottom view of the corn removal device of FIG. 1.

The surface shading illustrated in the drawings is provided
merely to highlight the contour of design; it is not intended to
be illustrative of texture or gloss.

The broken lines showing the handle are for illustrative pur-
poses only and form no part of the claimed design.

1 Claim, 4 Drawing Sheets



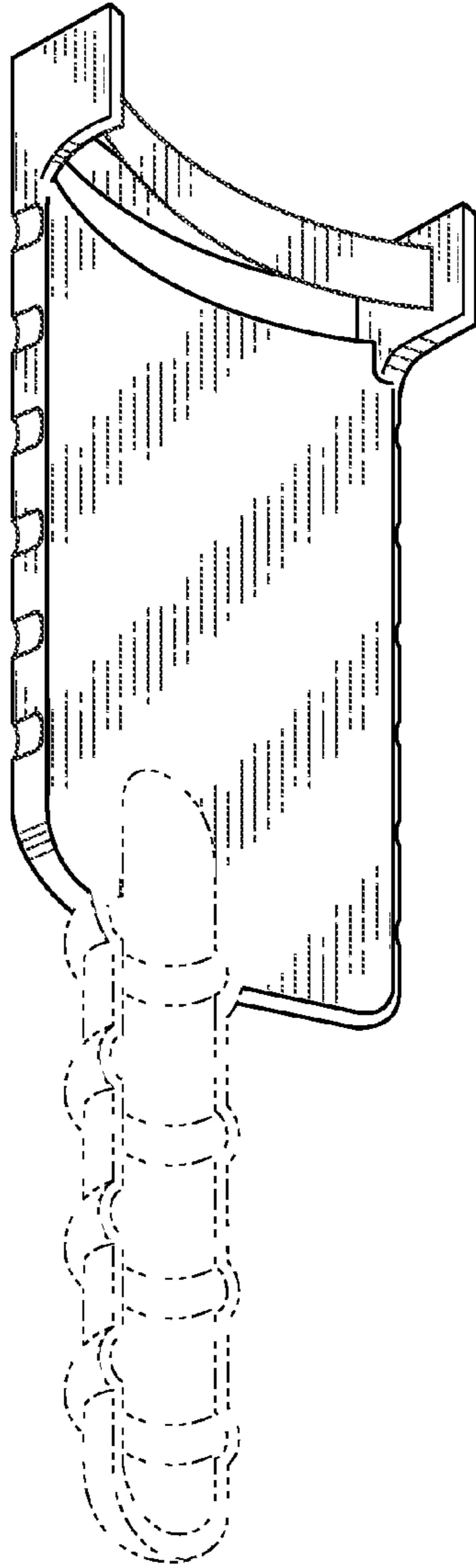


FIG. 1

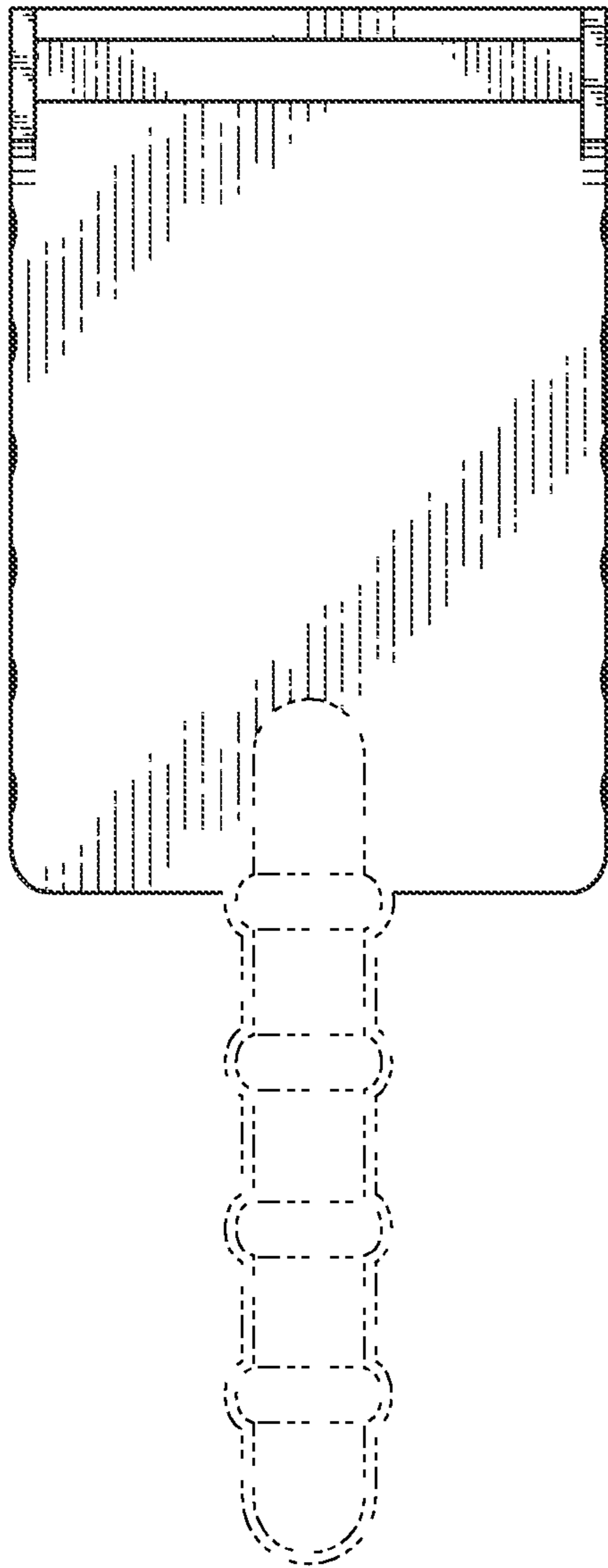


FIG. 2

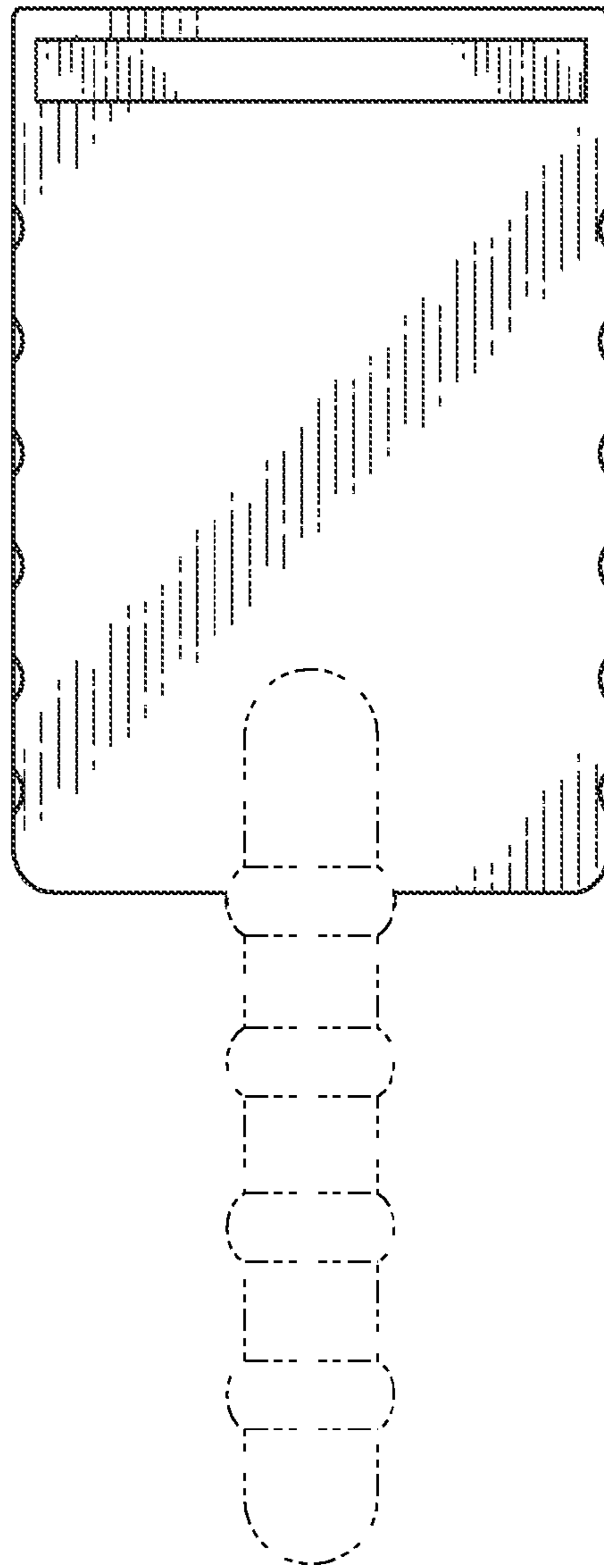


FIG. 3

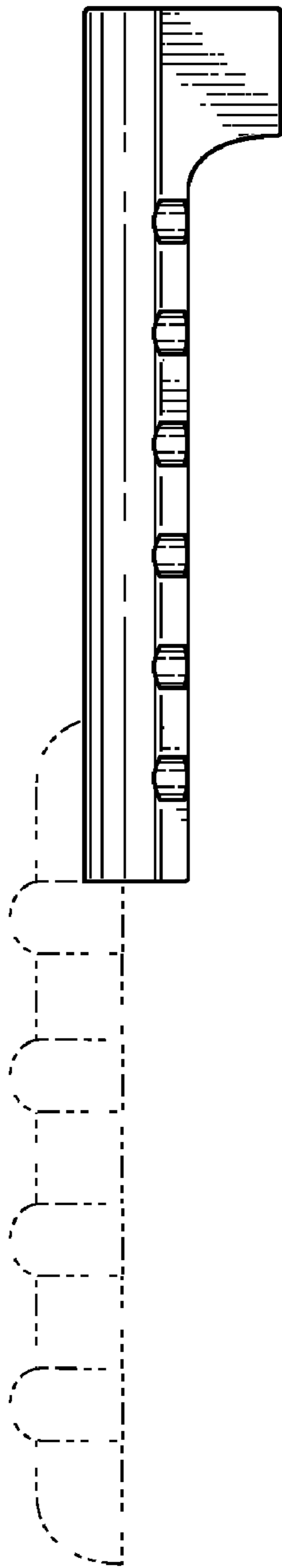


FIG. 4

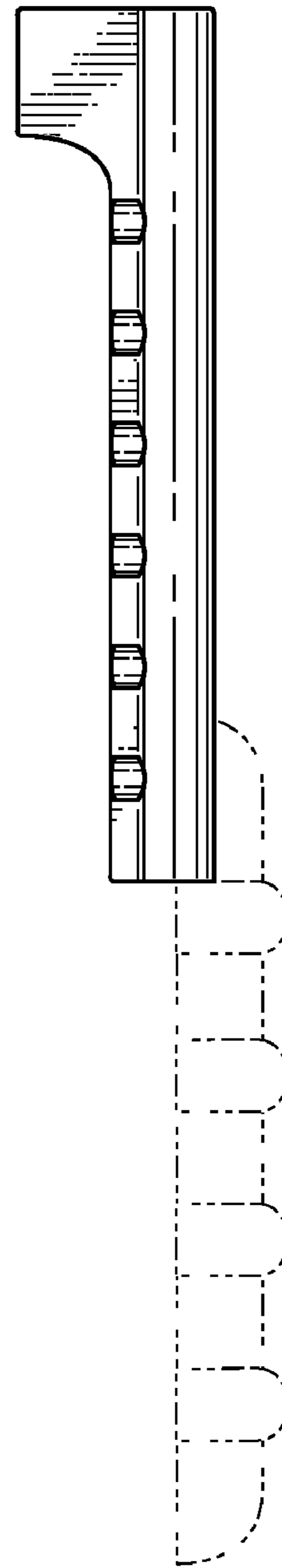


FIG. 5

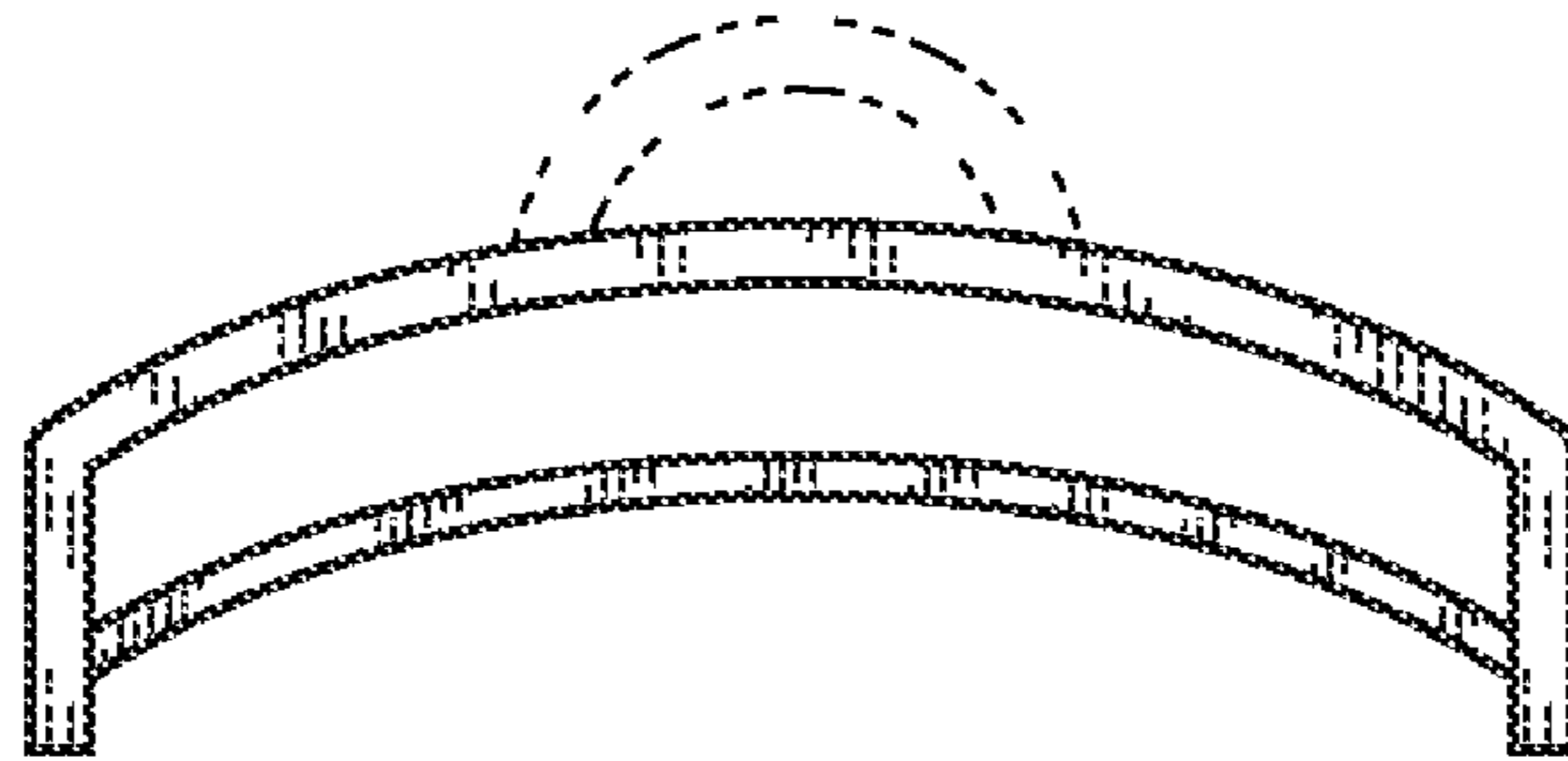


FIG. 6

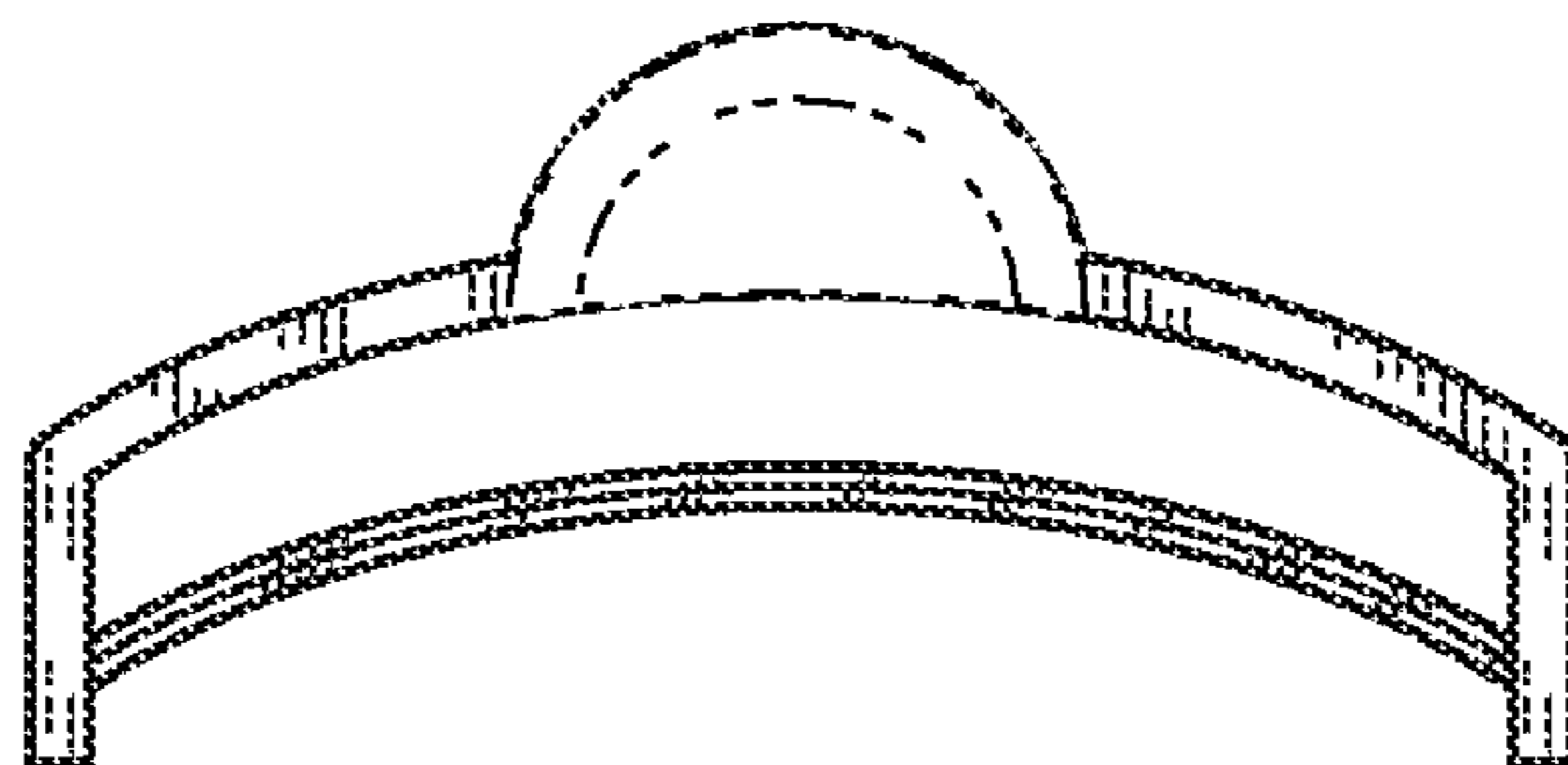


FIG. 7