

US00D600512S

(12) **United States Design Patent**
Weber

(10) **Patent No.:** **US D600,512 S**

(45) **Date of Patent:** **** Sep. 22, 2009**

(54) **PUMPKIN SCRAPER**

(74) *Attorney, Agent, or Firm*—Mark P. White

(76) **Inventor:** **Arthur Weber**, 104 Harvard St.,
Newtonville, MA (US) 02460

(57) **CLAIM**

The ornamental design of a pumpkin scraper, as shown and described.

(**) **Term:** **14 Years**

(21) **Appl. No.:** **29/326,867**

(22) **Filed:** **Oct. 27, 2008**

DESCRIPTION

(51) **LOC (9) Cl.** **07-06**

(52) **U.S. Cl.** **D7/693; D32/46**

(58) **Field of Classification Search** D7/680–696,
D7/669, 368; D32/40, 42, 46; 294/7, 8,
294/1.1; 30/298.4, 151, 114, 142, 340, 314–317;
7/113

See application file for complete search history.

FIG. 1 depicts a perspective view of the pumpkin scraper of the present invention.

FIG. 2 depicts a front elevation view of the pumpkin scraper.

FIG. 3 depicts a rear elevation view of the pumpkin scraper.

FIG. 4 depicts a left side elevation view of the pumpkin scraper.

FIG. 5 depicts a right side elevation view of the pumpkin scraper.

FIG. 6 depicts a top plan view of the pumpkin scraper.

FIG. 7 depicts a bottom plan view of the pumpkin scraper; and,

FIG. 8 is a perspective view of the pumpkin scraper held in the hand of a user being used to scrape the insides of a pumpkin. The hand and pumpkin are for illustrative purposes only and form no part of the claimed design.

(56) **References Cited**

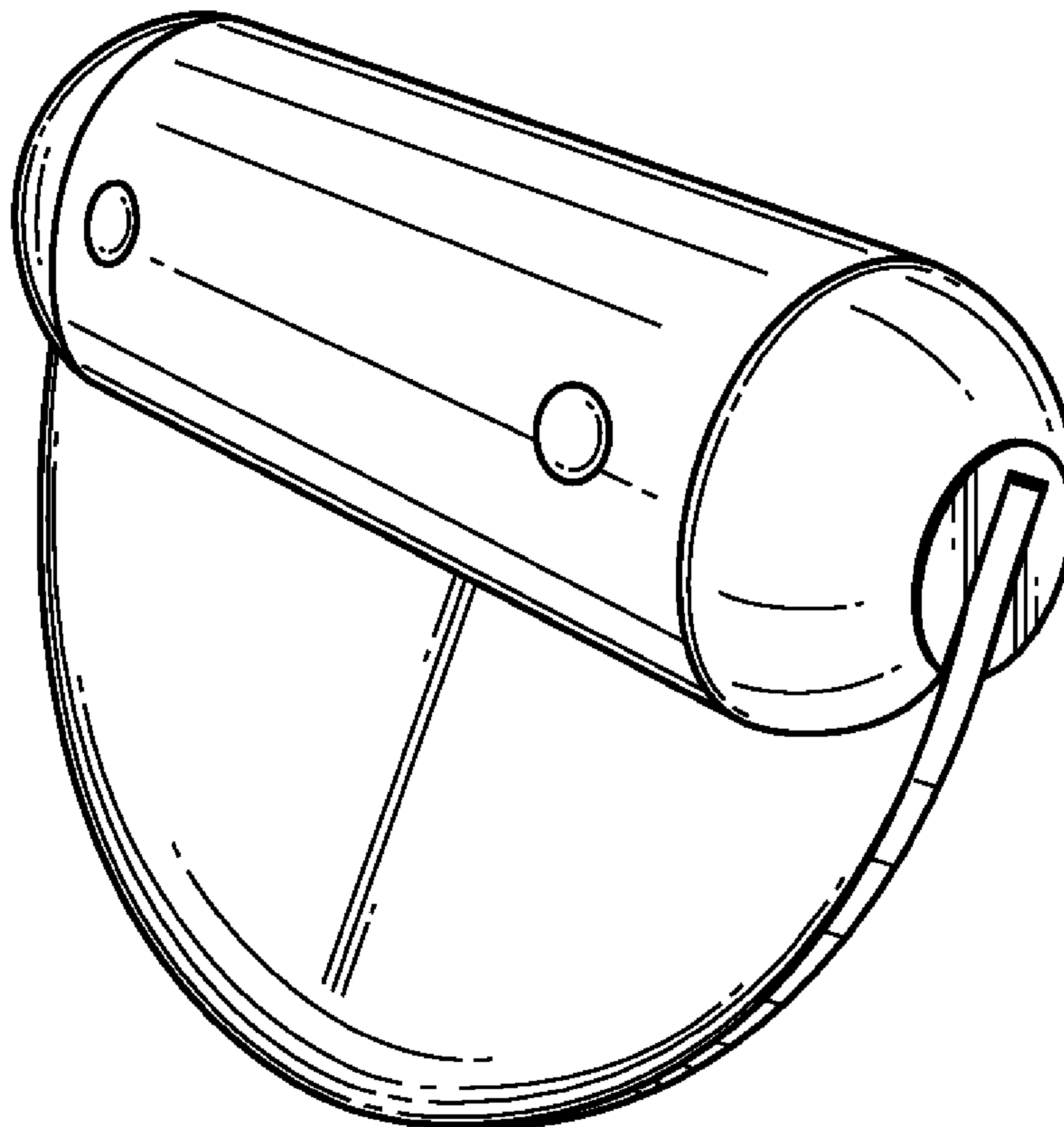
U.S. PATENT DOCUMENTS

4,574,479	A *	3/1986	Gramann	30/142
D330,665	S *	11/1992	Neuendorf	D7/693
D375,662	S *	11/1996	Noga	D7/694
D392,078	S *	3/1998	Courts	D32/46

* cited by examiner

Primary Examiner—Terry A Wallace

1 Claim, 4 Drawing Sheets



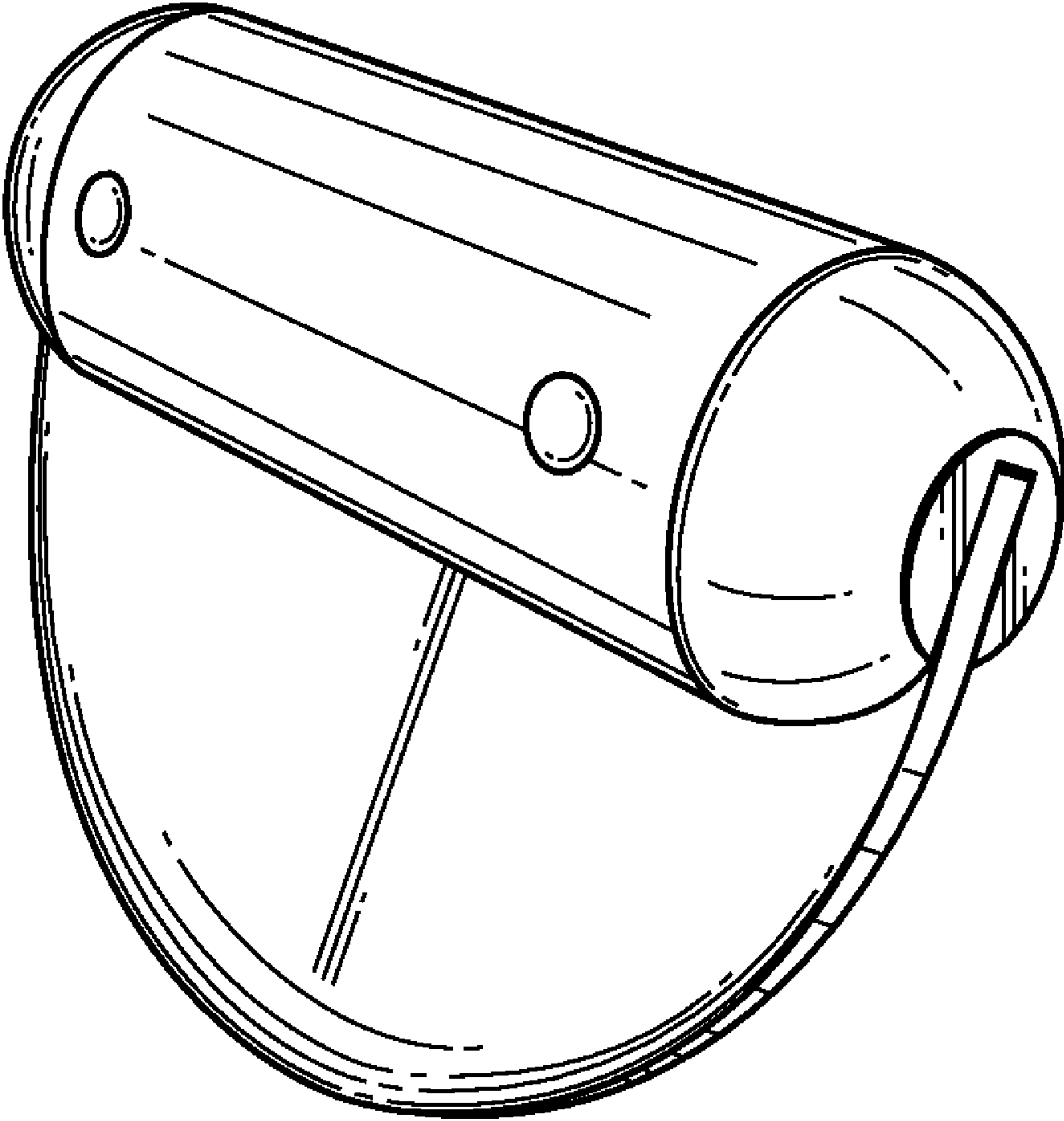


FIG. 1

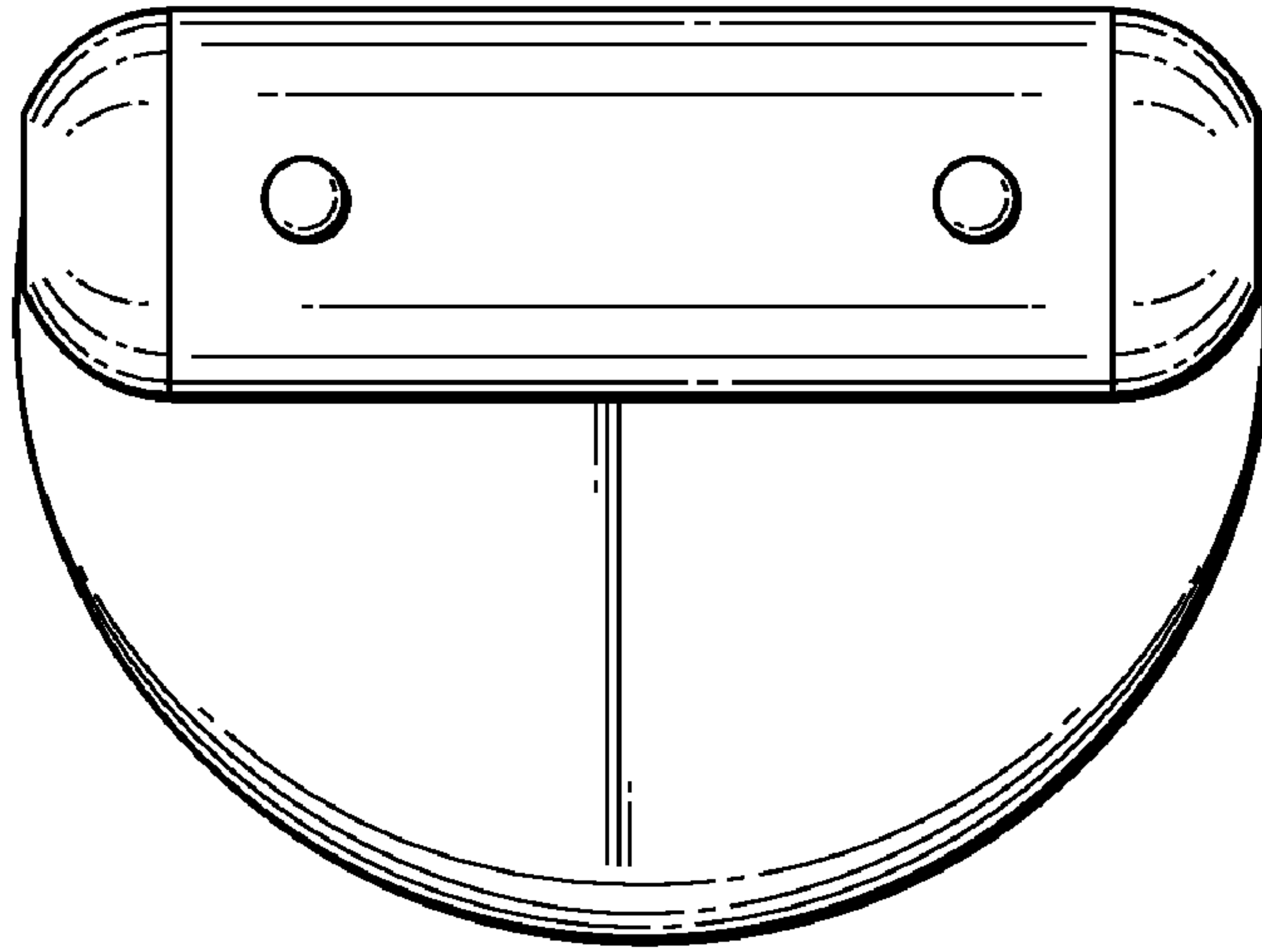


FIG. 2

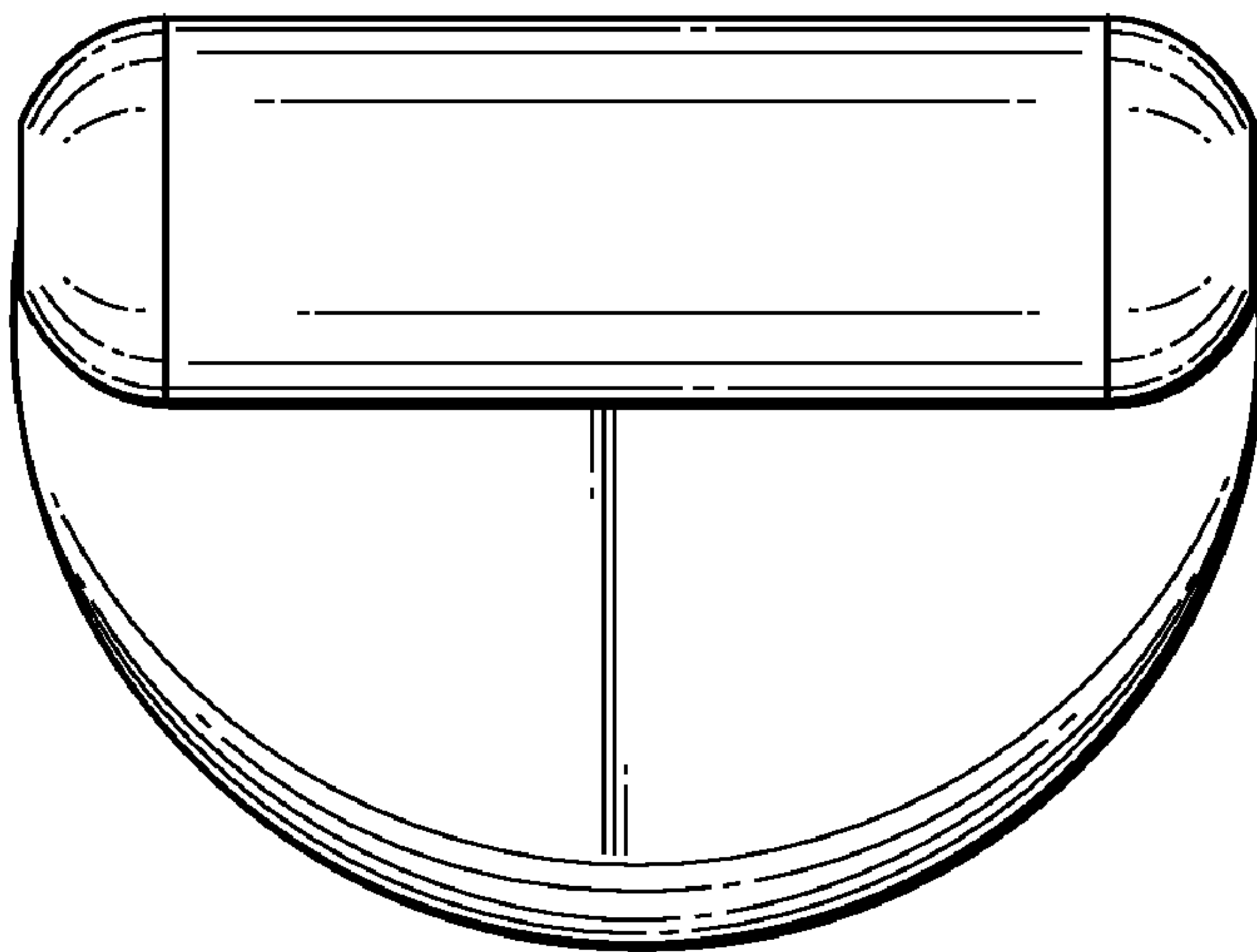


FIG. 3

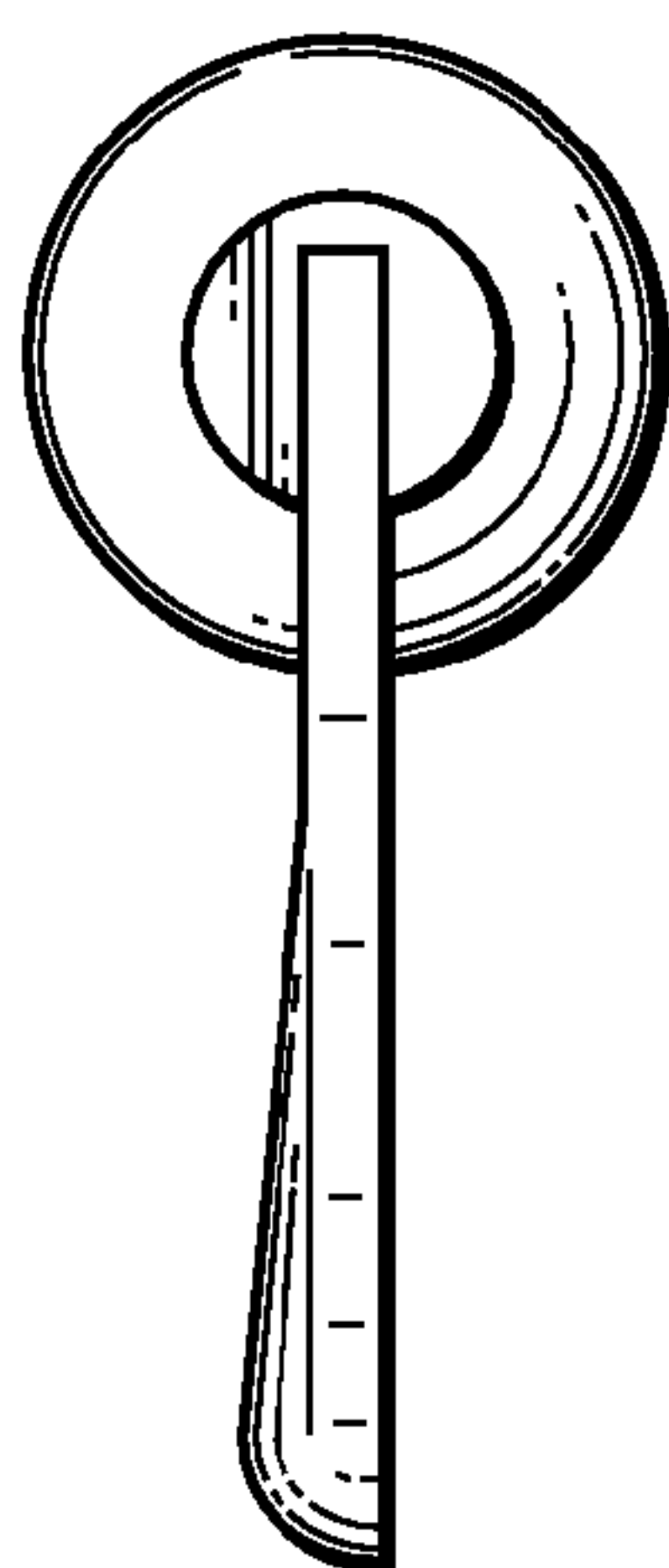


FIG. 4

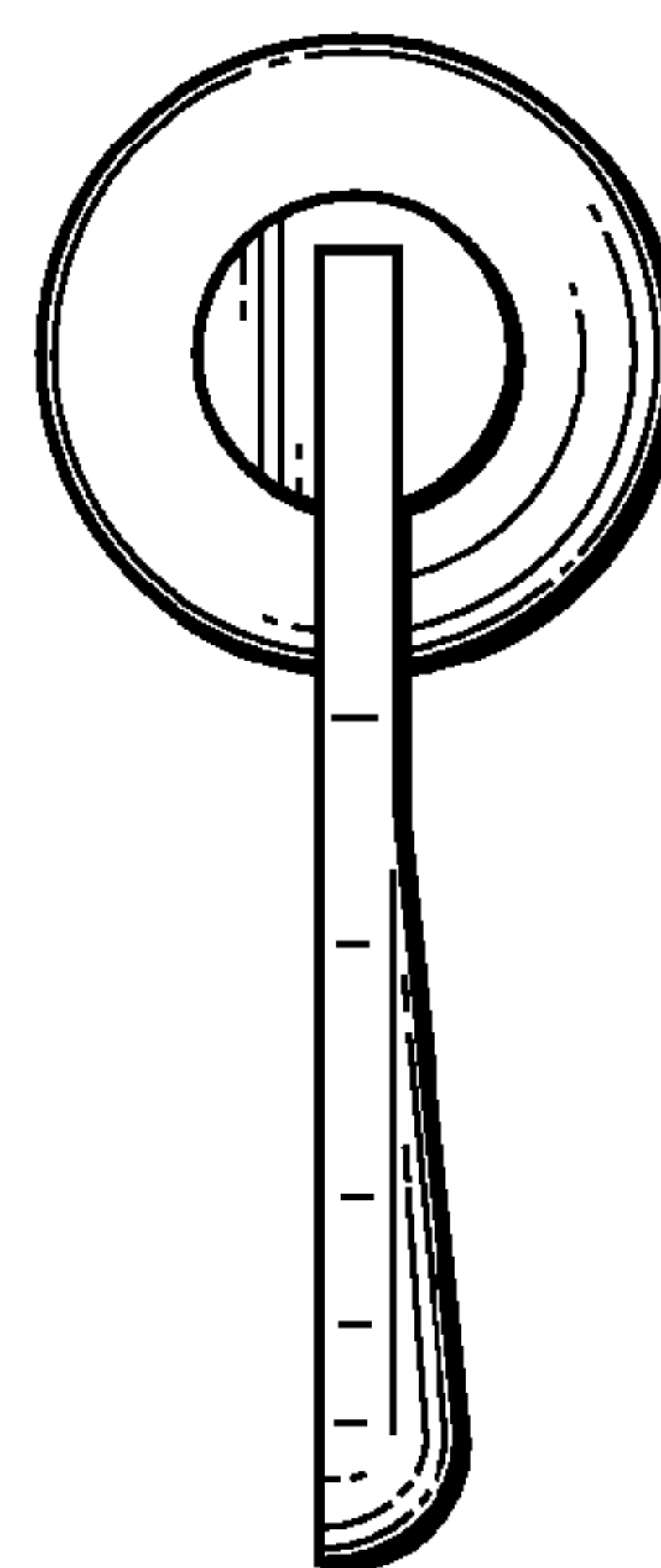


FIG. 5

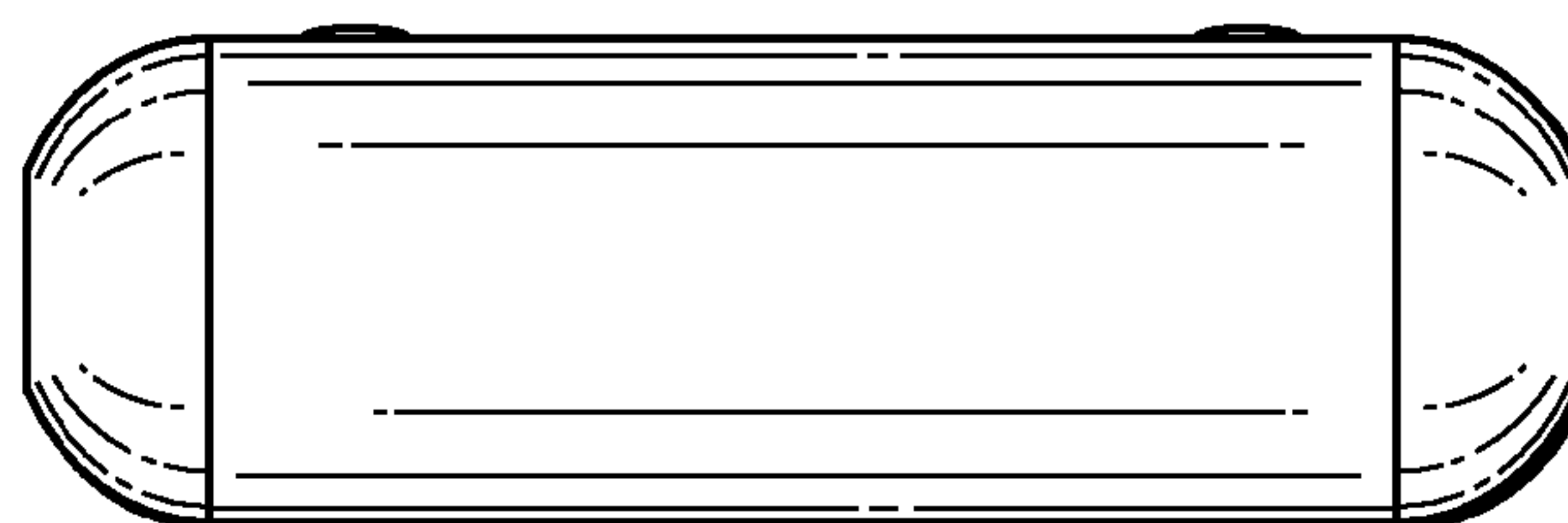


FIG. 6

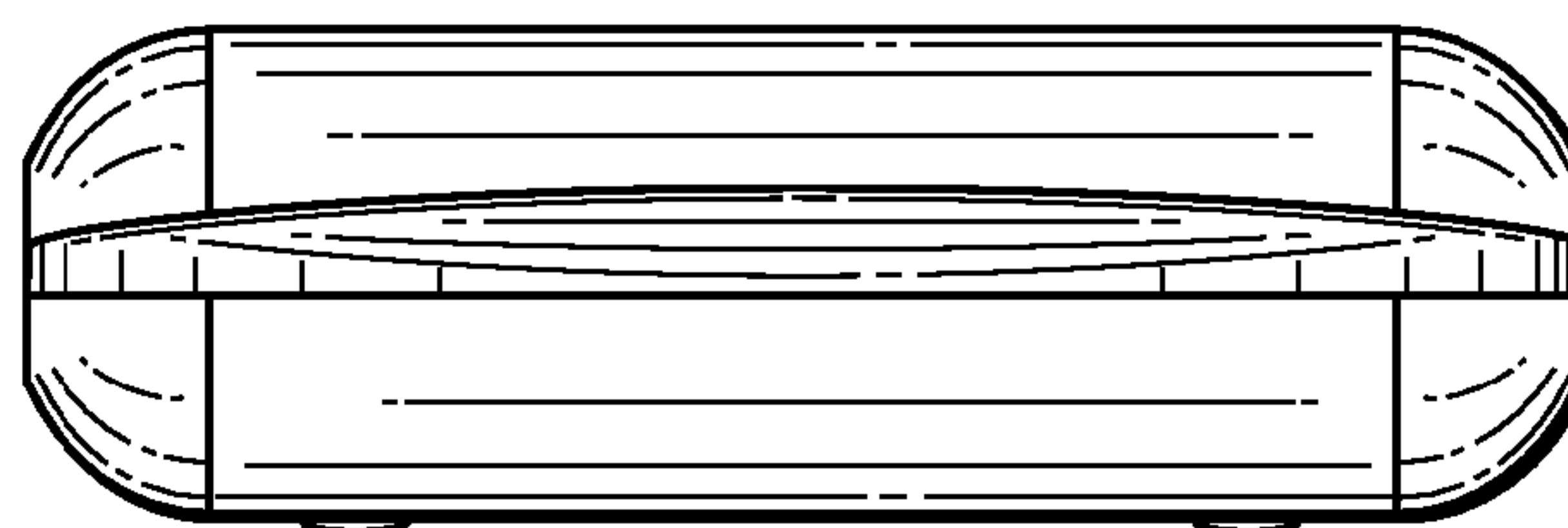


FIG. 7

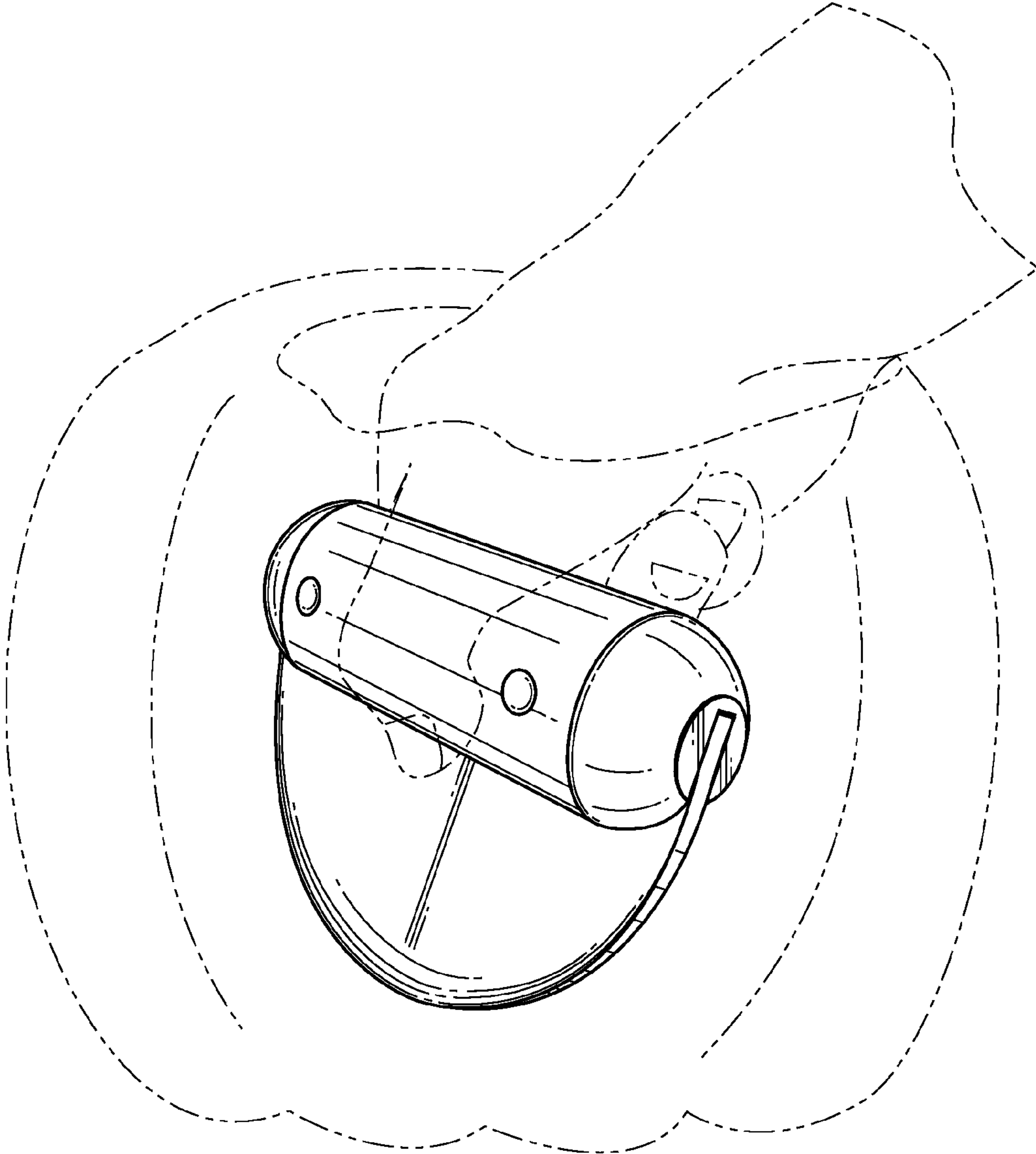


FIG. 8