



US00D600511S

(12) **United States Design Patent**
Scigliano, Jr.

(10) **Patent No.:** **US D600,511 S**

(45) **Date of Patent:** **** Sep. 22, 2009**

(54) **STIRRING SPOON**

D541,602 S * 5/2007 Yu D7/692
D542,103 S * 5/2007 Yu D7/692

(76) **Inventor:** **Frank V. Scigliano, Jr.**, 168 Pine St.,
No. 2, Danvers, MD (US) 01923

* cited by examiner

(**) **Term:** **14 Years**

Primary Examiner—Terry A Wallace

(74) *Attorney, Agent, or Firm*—James G. O’Boyle, Esq.

(21) **Appl. No.:** **29/309,730**

(57) **CLAIM**

(22) **Filed:** **Sep. 30, 2008**

The ornamental design for a stirring spoon, as shown and described.

(51) **LOC (9) Cl.** **07-04**

(52) **U.S. Cl.** **D7/691**

(58) **Field of Classification Search** D7/669,
D7/368, 680–696; 30/323–328, 142, 169;
D32/42; 15/236.01, 236.07, 245.1; 294/7,
294/8, 1.1

DESCRIPTION

See application file for complete search history.

FIG. 1 is a front side perspective view of stirring spoon showing my new design;

FIG. 2 is a front elevational view of the spoon shown in FIG. 1;

FIG. 3 is a rear elevational view of the spoon shown in FIG. 1;

FIG. 4 is a side elevational view of the spoon shown in FIG. 1;

FIG. 5 is an elevational view of the spoon on the side opposite that shown in FIG. 4;

FIG. 6 is a front elevational view of the spoon shown in FIG. 1; and,

FIG. 7 is a rear elevational view of the spoon shown in FIG. 1.

(56) **References Cited**

U.S. PATENT DOCUMENTS

D93,270	S	*	9/1934	Bumbaugh	D7/653
D172,537	S	*	7/1954	Hill	D32/42
3,224,091	A	*	12/1965	Scigliano	30/142
D241,302	S	*	9/1976	Scigliano	D7/688
5,176,418	A	*	1/1993	Niu	294/7
D402,167	S	*	12/1998	Durbin	D7/692
D402,168	S	*	12/1998	Joergensen	D7/691
D477,190	S	*	7/2003	Bull et al.	D7/692

1 Claim, 4 Drawing Sheets

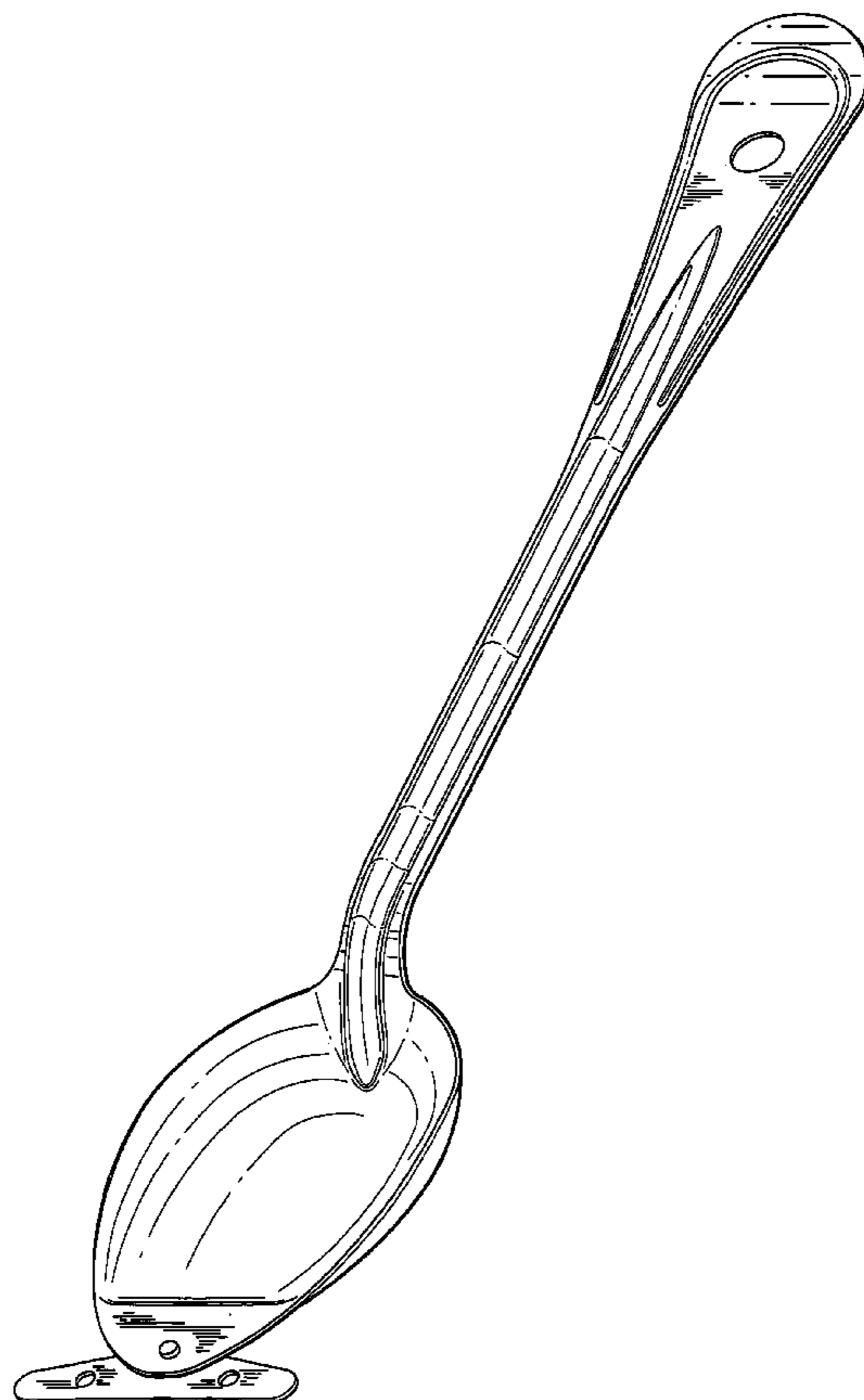
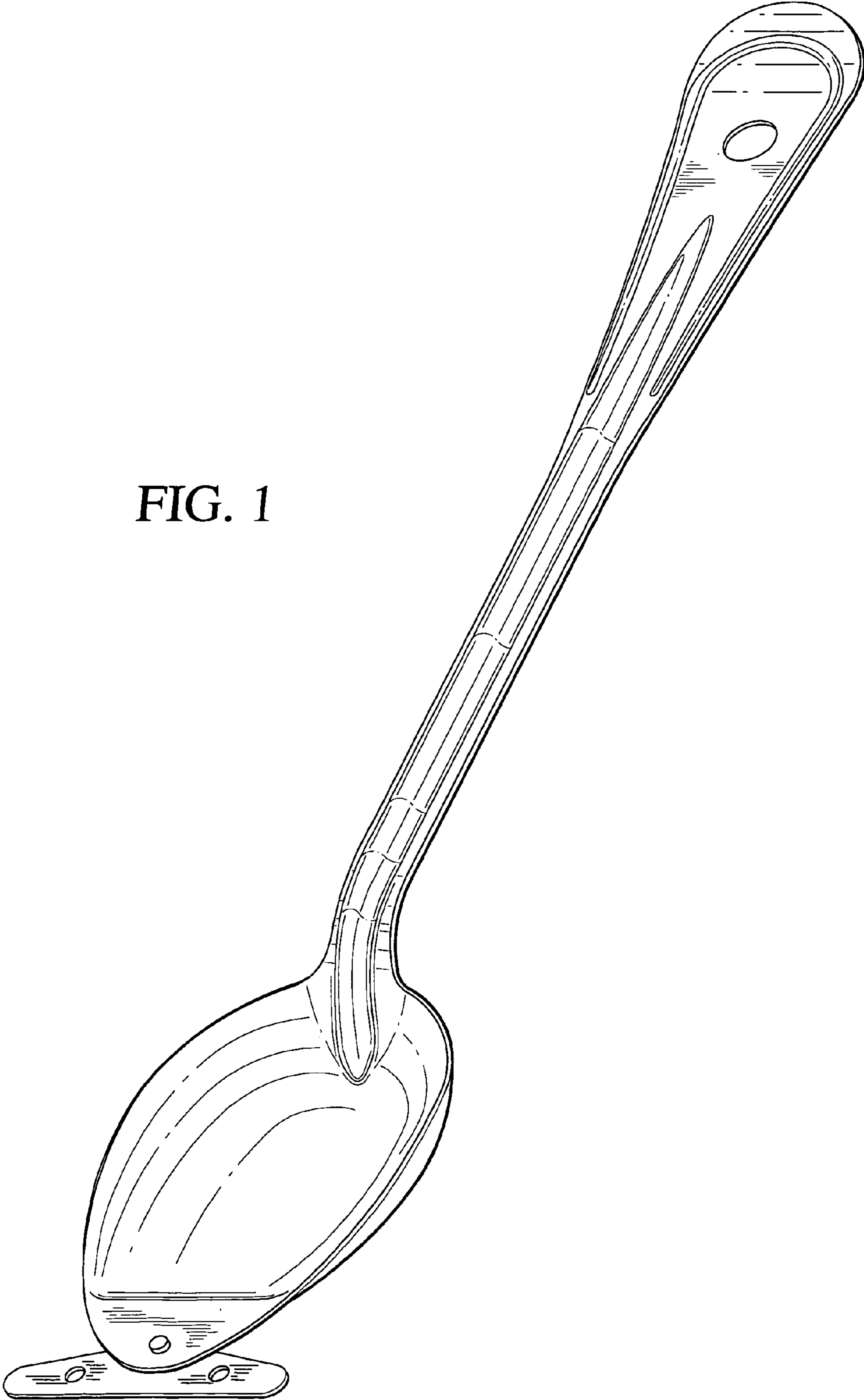


FIG. 1



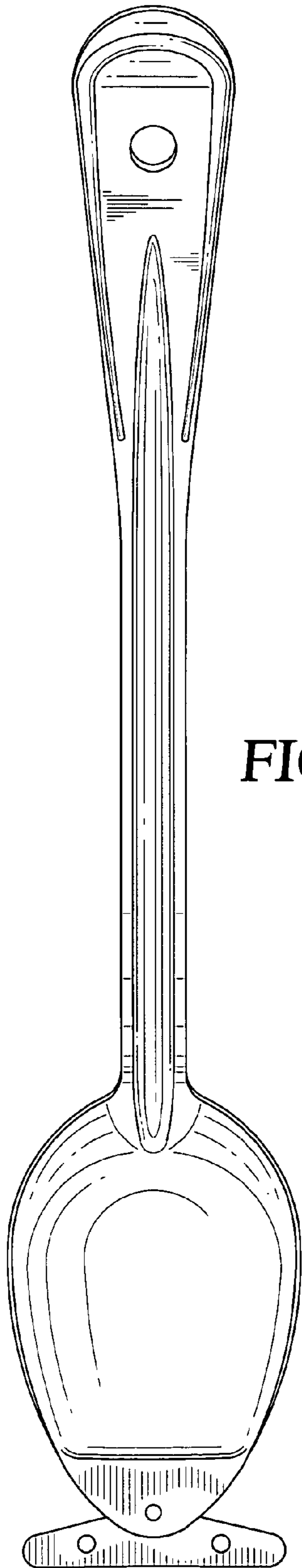


FIG. 2

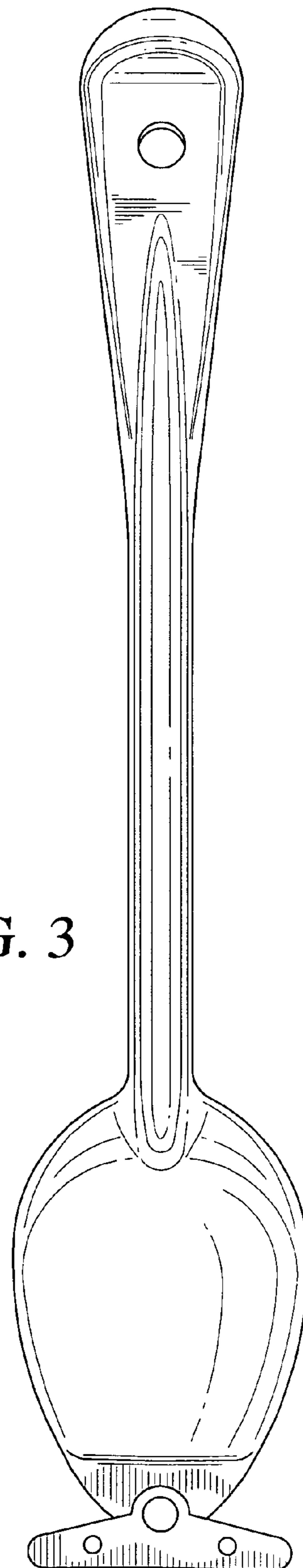


FIG. 3

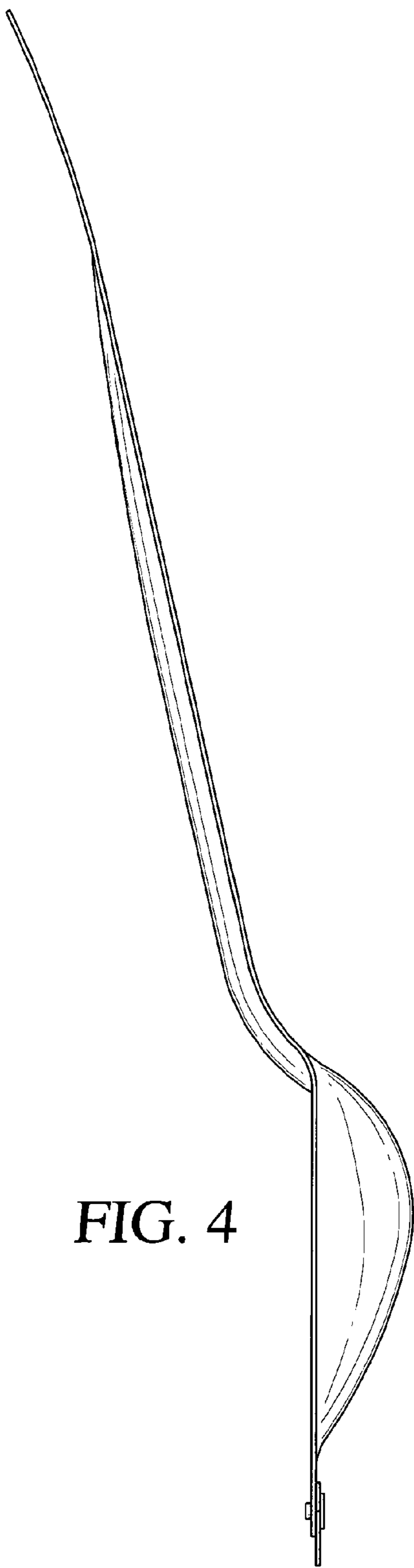


FIG. 4

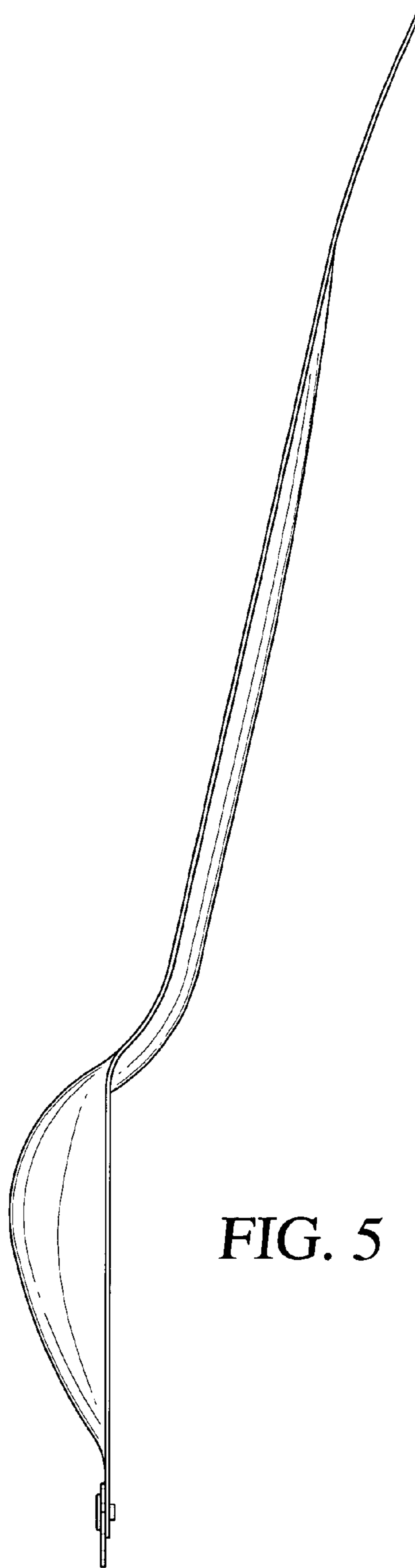


FIG. 5

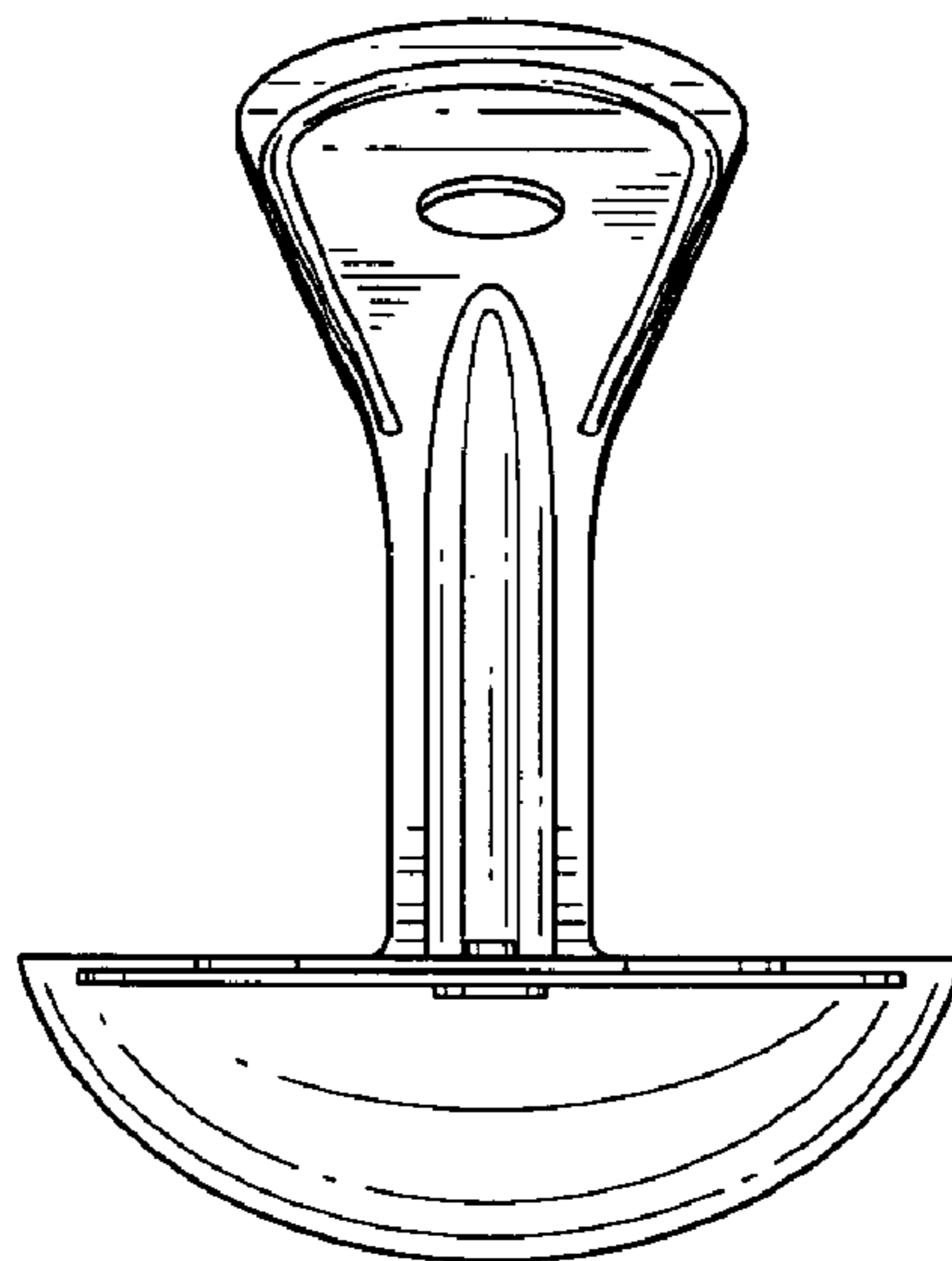


FIG. 6

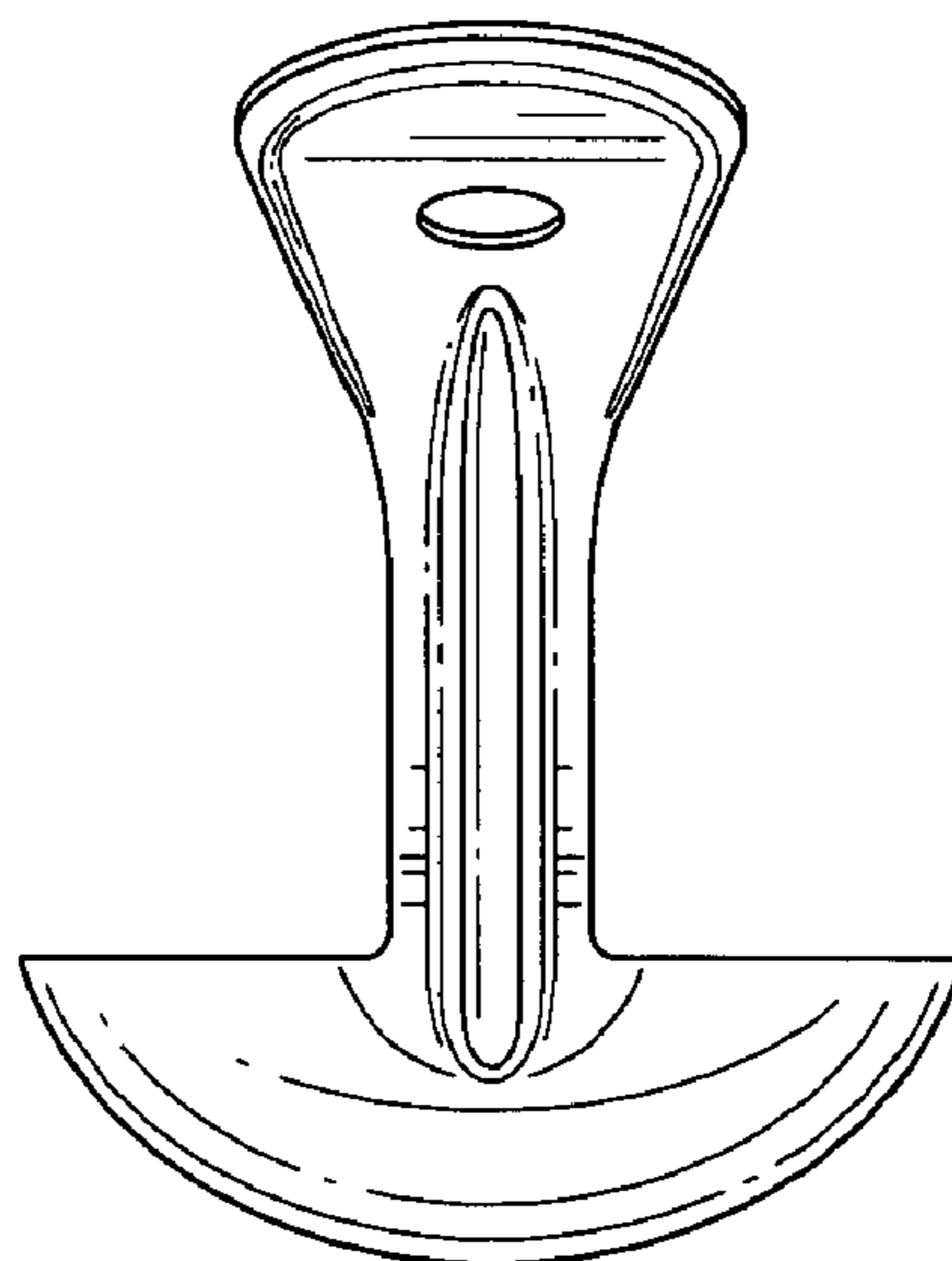


FIG. 7