



US00D600510S

(12) **United States Design Patent**  
**Courington et al.**

(10) **Patent No.:** **US D600,510 S**

(45) **Date of Patent:** **\*\* Sep. 22, 2009**

(54) **BROWNIE PADDLE MIXER**

(75) Inventors: **Jennifer Courington**, River Grove, IL (US); **Jeff Bull**, Naperville, IL (US)

(73) Assignee: **Wilton Industries Inc.**, Woodridge, IL (US)

(\*\*) Term: **14 Years**

(21) Appl. No.: **29/325,526**

(22) Filed: **Oct. 2, 2008**

(51) **LOC (9) Cl.** ..... **07-02**

(52) **U.S. Cl.** ..... **D7/688**

(58) **Field of Classification Search** ..... D7/669,  
D7/368, 680-696; 30/322-328; 294/1.1,  
294/7, 8, 55

See application file for complete search history.

(56) **References Cited**

**U.S. PATENT DOCUMENTS**

D4,001 S *	4/1870	Oblinger	.....	D7/688
D171,434 S *	2/1954	Borgfeldt	.....	D7/300.2
D211,046 S *	5/1968	Saffron	.....	D7/300.2
D304,893 S *	12/1989	Scaggs	.....	D7/692
D395,989 S *	7/1998	Proshan	.....	D7/688
D402,847 S *	12/1998	Kinder	.....	D7/688

\* cited by examiner

*Primary Examiner*—Terry A Wallace

(74) *Attorney, Agent, or Firm*—McGuire Woods LLP

(57) **CLAIM**

We claim the ornamental design for a brownie paddle mixer, as shown and described.

**DESCRIPTION**

FIG. 1 is a perspective view of the brownie paddle mixer;

FIG. 2 is a left side view of the design embodiment shown in FIG. 1;

FIG. 3 is a right side view of the design embodiment shown in FIG. 1;

FIG. 4 is a back view of the design embodiment shown in FIG. 1;

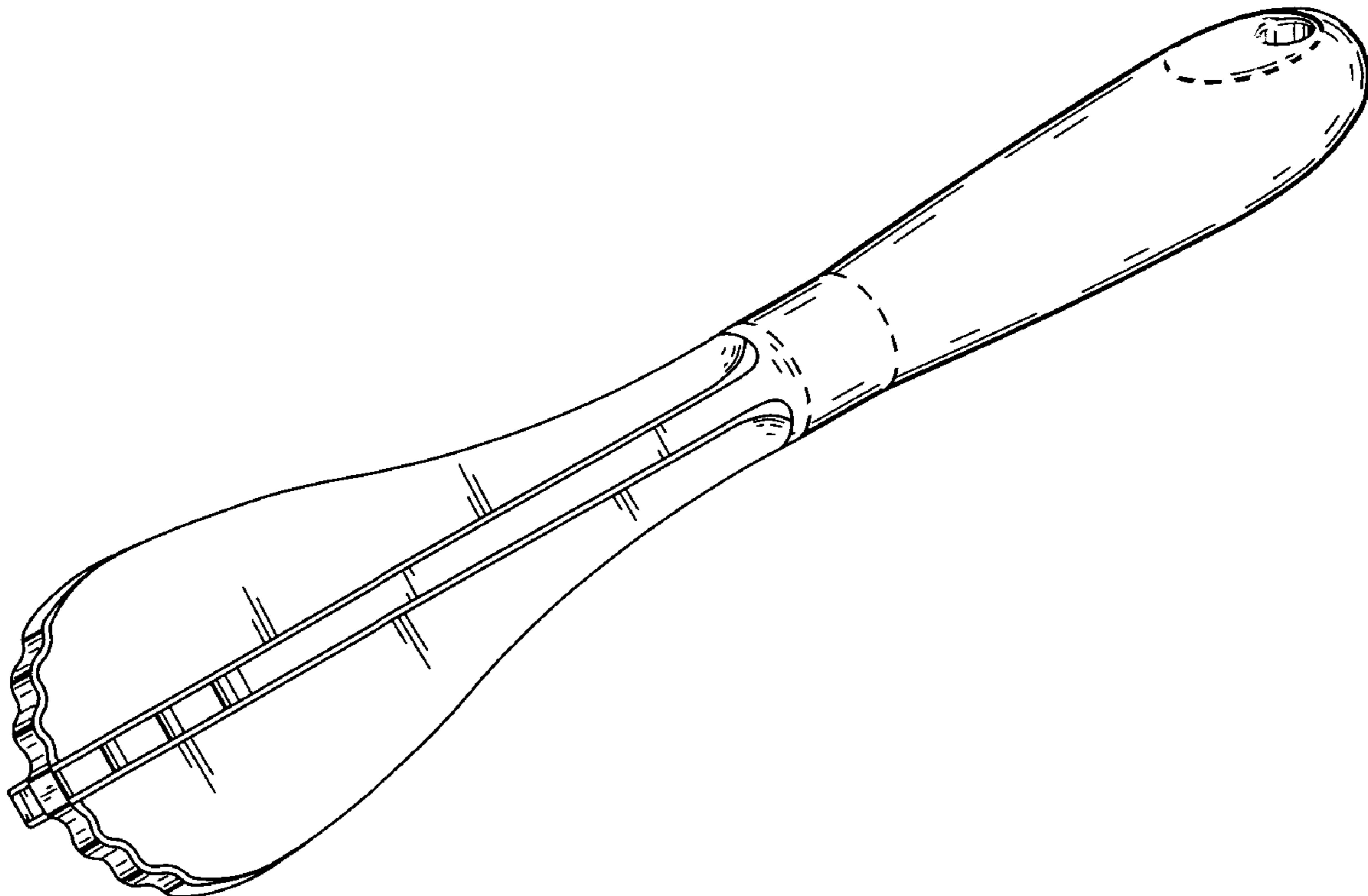
FIG. 5 is a front view of the design embodiment shown in FIG. 1;

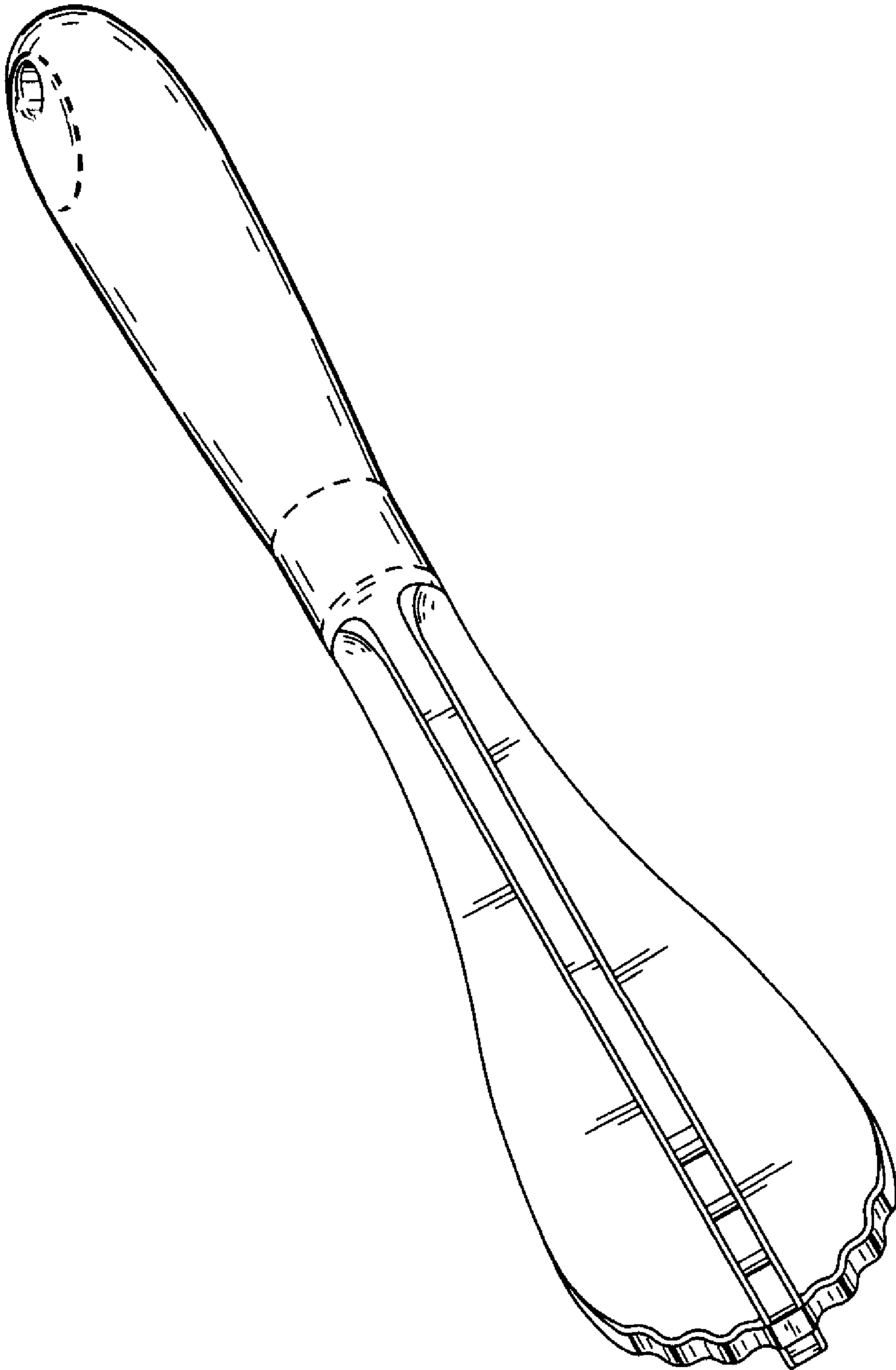
FIG. 6 is a bottom view of the design embodiment shown in FIG. 1; and,

FIG. 7 is a top view of the design embodiment shown in FIG. 1.

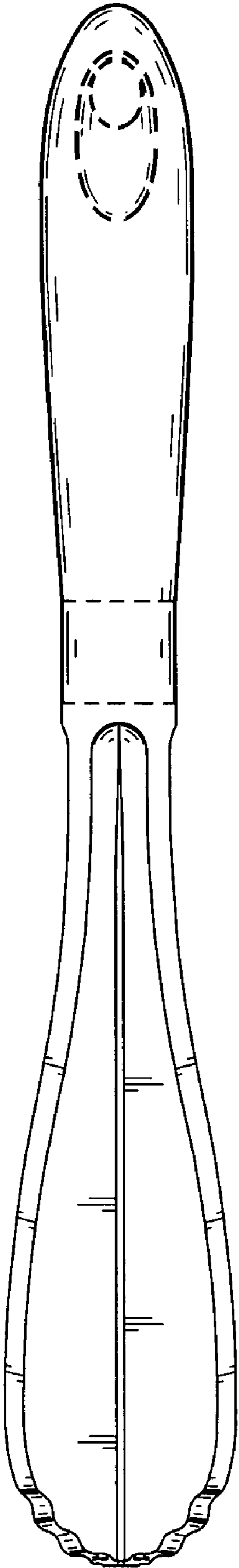
The subject matter shown in dashed lines, and any surfaces of the design not shown, including interior surfaces, form no part of the claimed invention.

**1 Claim, 4 Drawing Sheets**

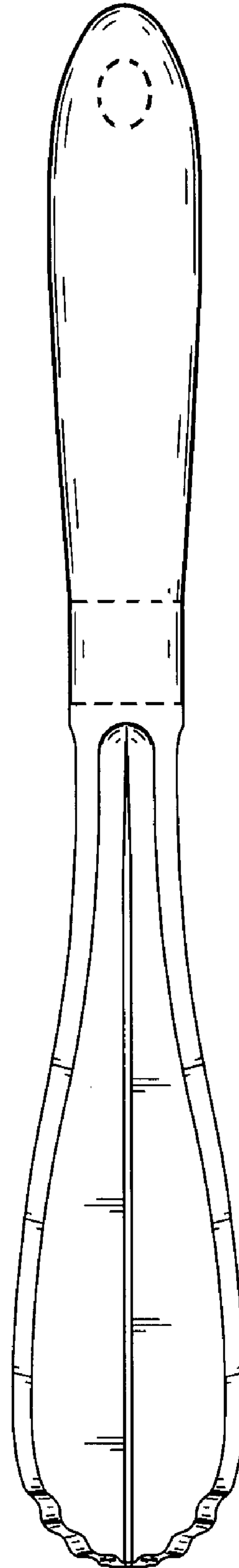




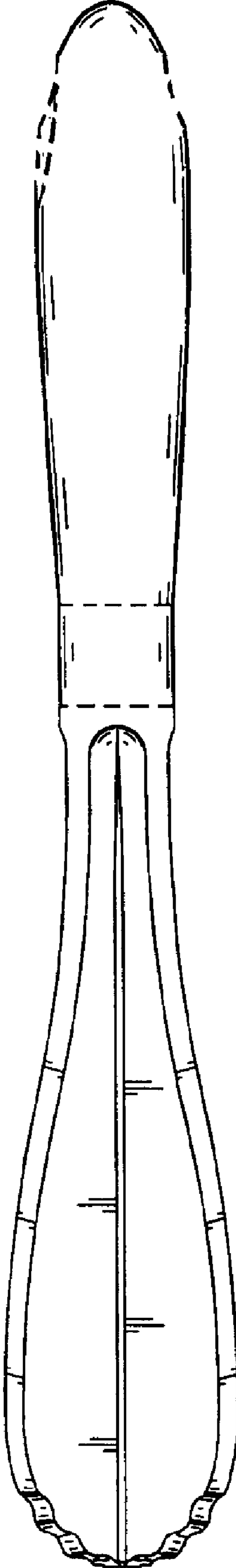
*FIG. 1*



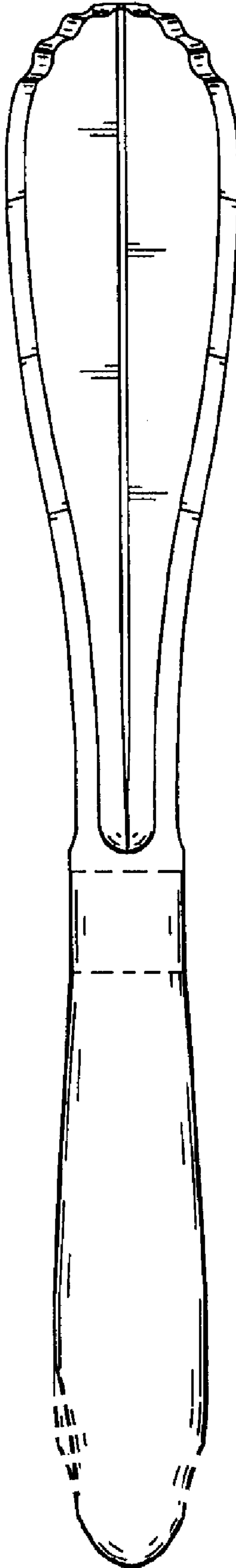
*FIG. 2*



*FIG. 3*



*FIG. 4*



*FIG. 5*

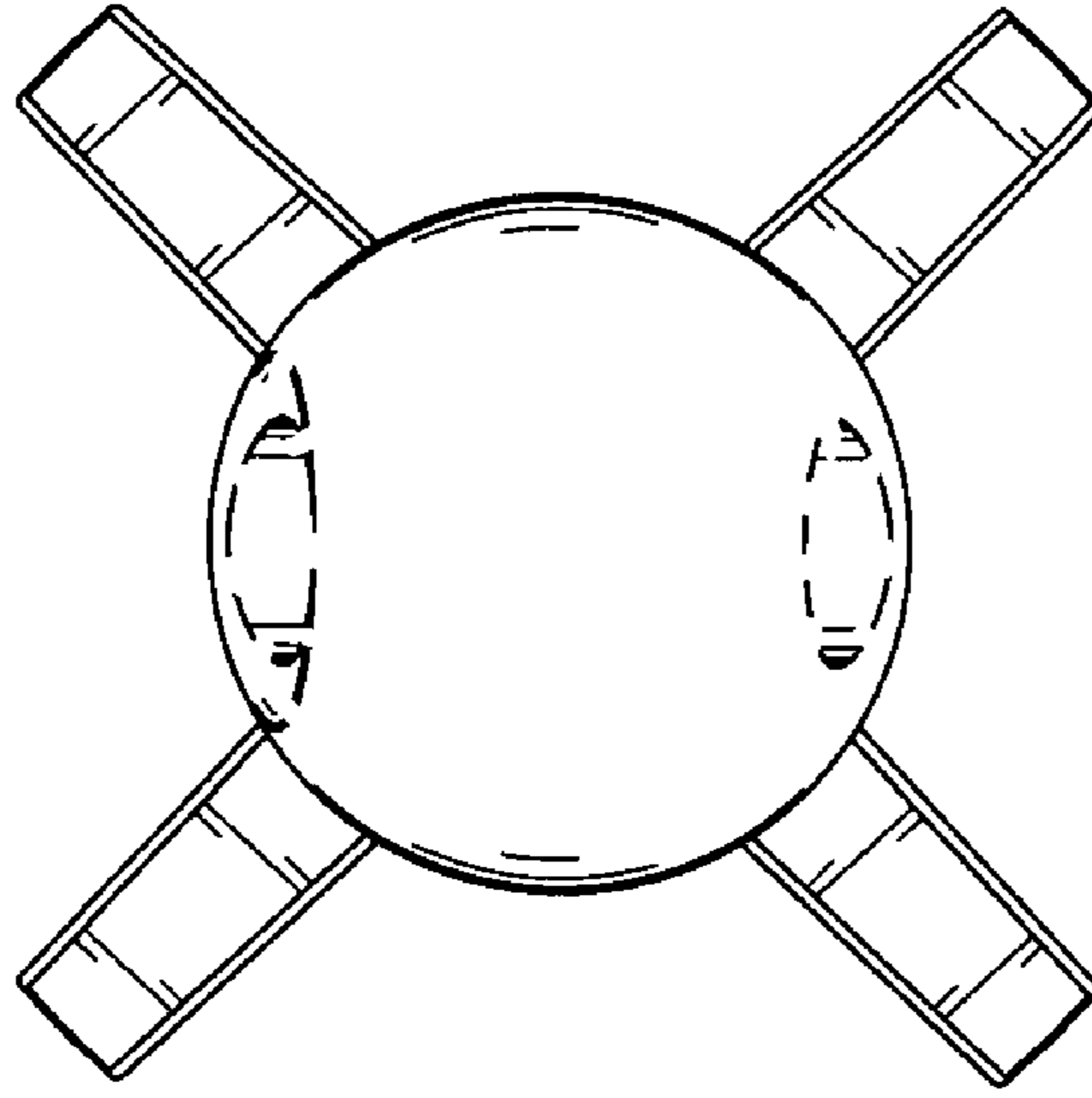


FIG. 7

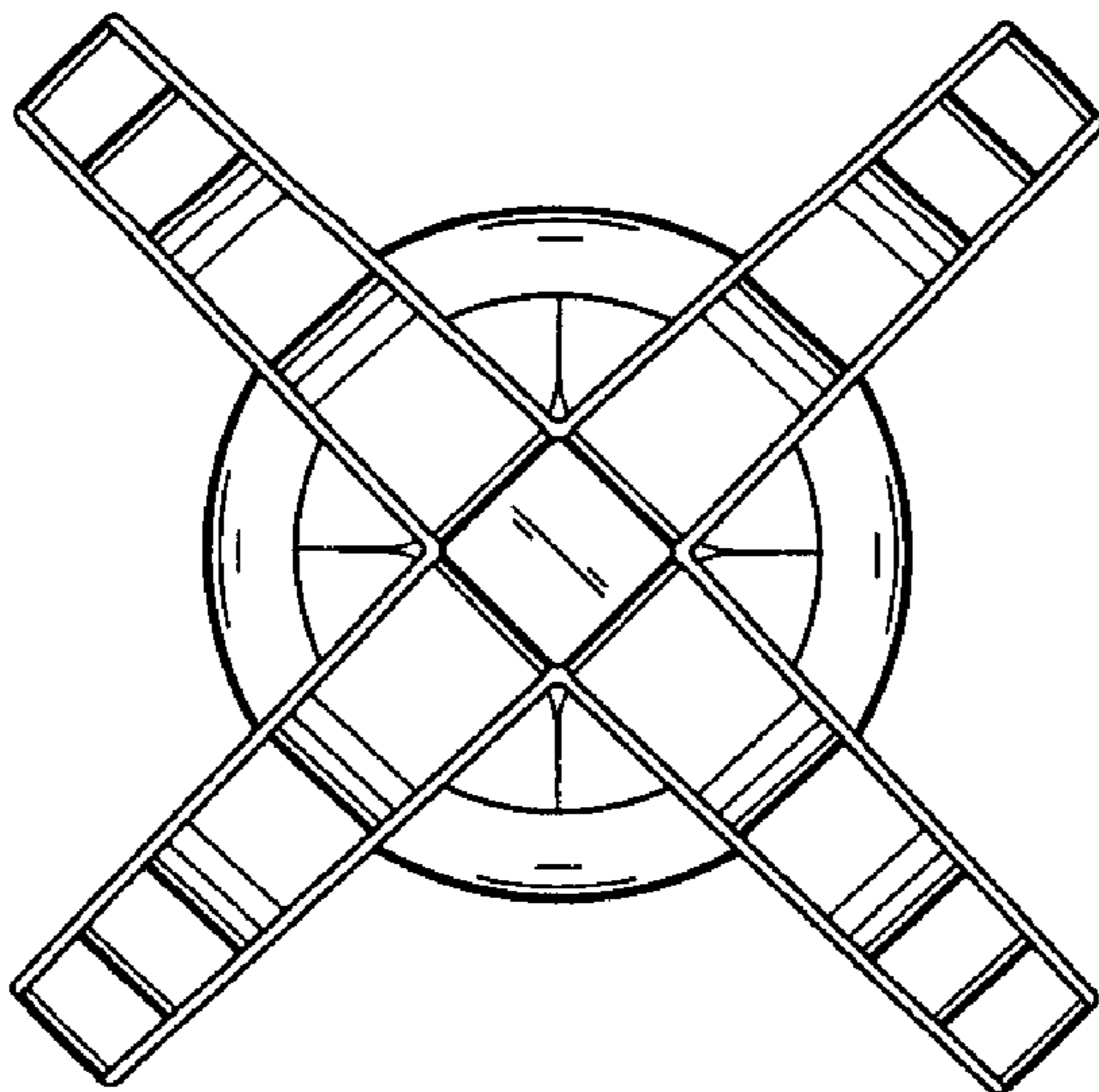


FIG. 6