

US00D600509S

(12) **United States Design Patent**
Gross

(10) **Patent No.:** **US D600,509 S**

(45) **Date of Patent:** **** Sep. 22, 2009**

(54) **PATTY SPATULA**

D540,129 S * 4/2007 Solic et al. D7/688

(75) Inventor: **Eric D. Gross**, Santa Fe Springs, CA
(US)

* cited by examiner

Primary Examiner—Terry A Wallace

(73) Assignee: **Alegacy Food Service Products Group, Inc.**, Santa Fe Springs, CA (US)

(57) **CLAIM**

(**) Term: **14 Years**

The ornamental design for a patty spatula, as shown and described.

(21) Appl. No.: **29/324,719**

(22) Filed: **Sep. 18, 2008**

DESCRIPTION

(51) **LOC (9) Cl.** **07-02**

FIG. 1 is a perspective view of a “patty spatula” showing my new design;

(52) **U.S. Cl.** **D7/688**

FIG. 2 is a front view thereof;

(58) **Field of Classification Search** D7/368,
D7/669, 680–696; 294/7, 8, 1.1; D32/46,
D32/48, 49; 15/236.01, 236.07

FIG. 3 is a rear view thereof;

FIG. 4 is a top plan view thereof;

See application file for complete search history.

FIG. 5 is a left side view thereof, the right side view being identical thereto;

FIG. 6 is a bottom plan view thereof; and,

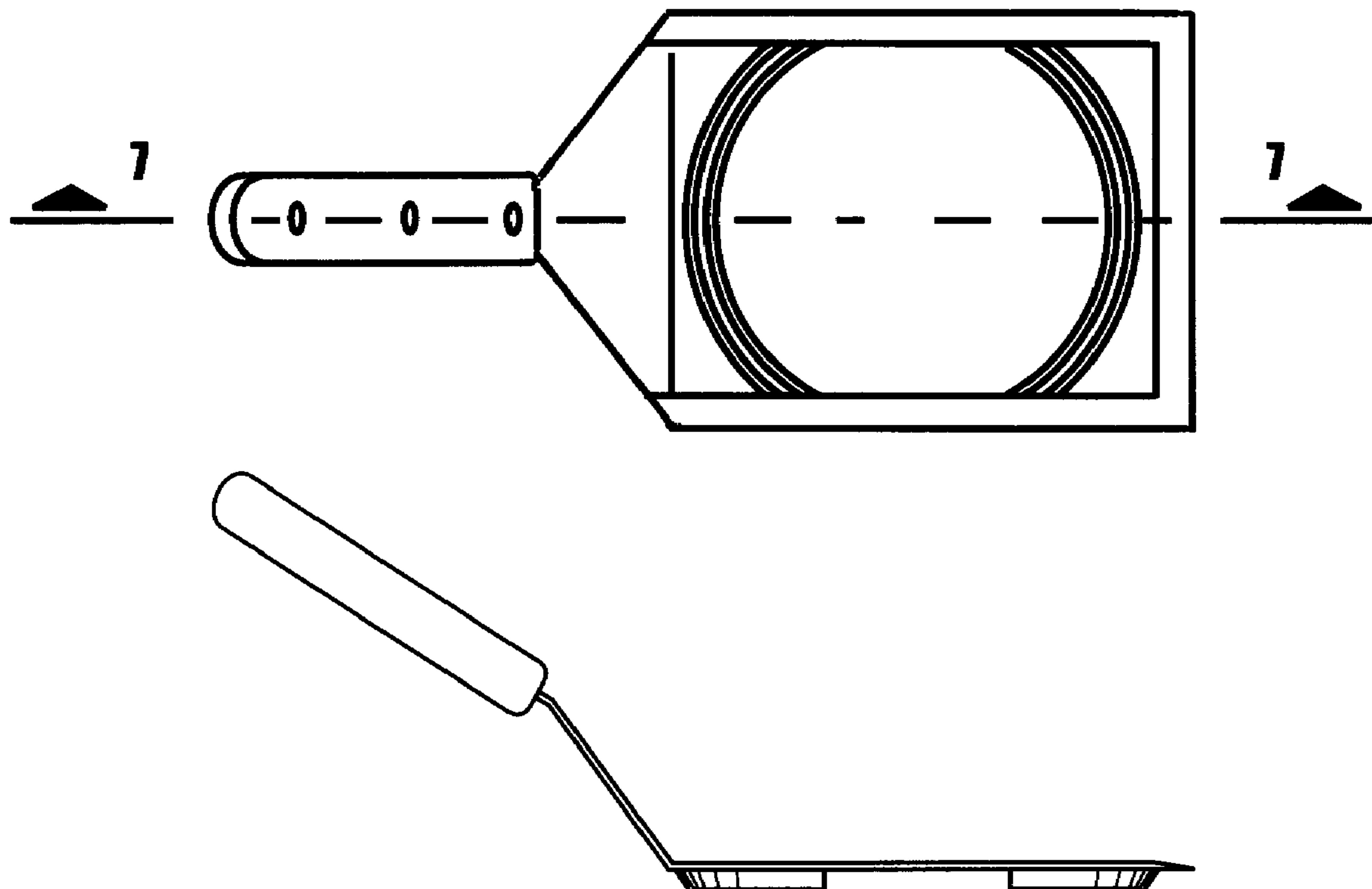
FIG. 7 is a cross-sectional view taken along lines 7—7 of FIG. 4.

(56) **References Cited**

U.S. PATENT DOCUMENTS

- D243,381 S * 2/1977 Kridos D7/688
- D369,948 S * 5/1996 Tobiasz D7/674
- D369,949 S * 5/1996 Bocicaut D7/674

1 Claim, 2 Drawing Sheets



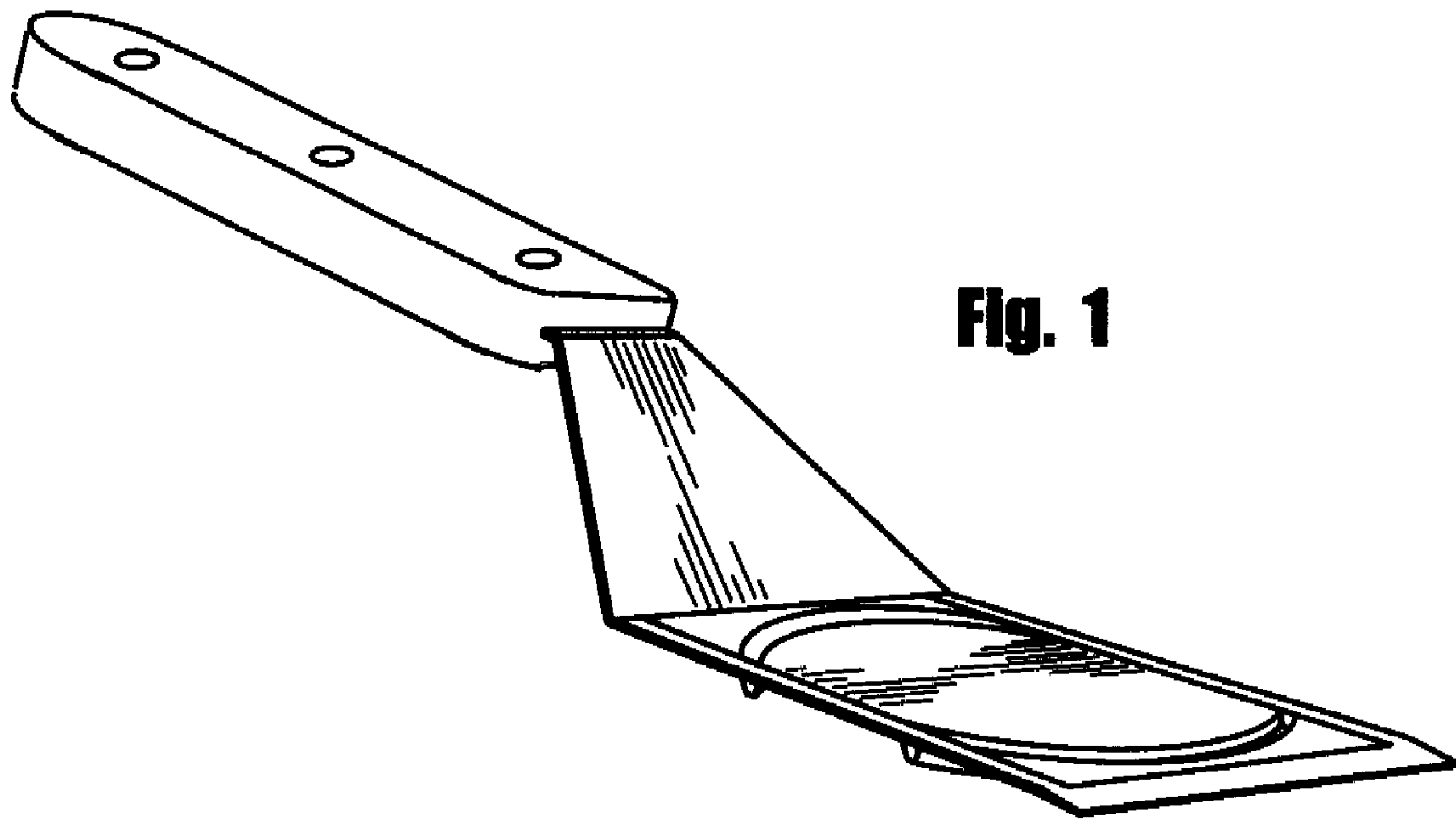


Fig. 1

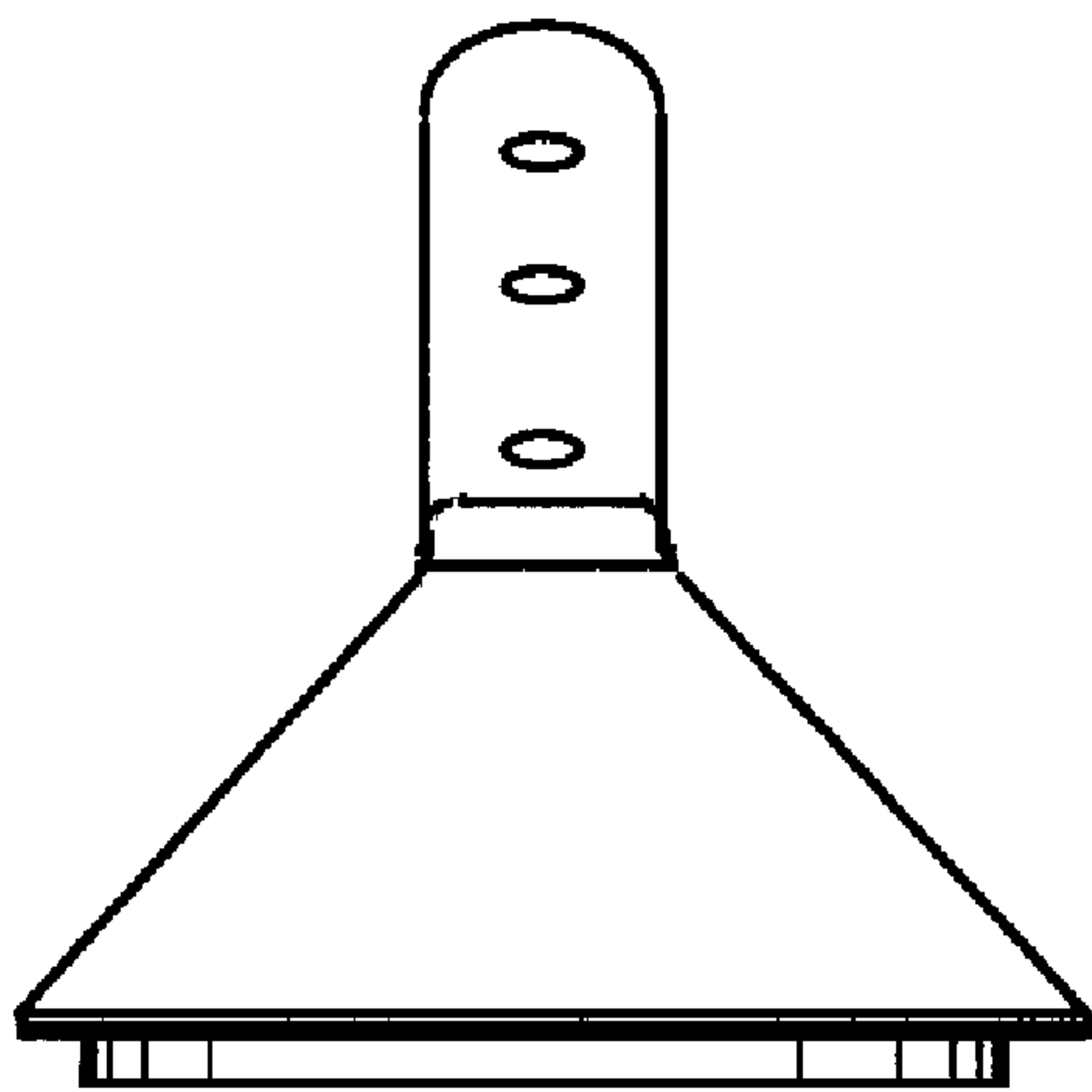


Fig. 2

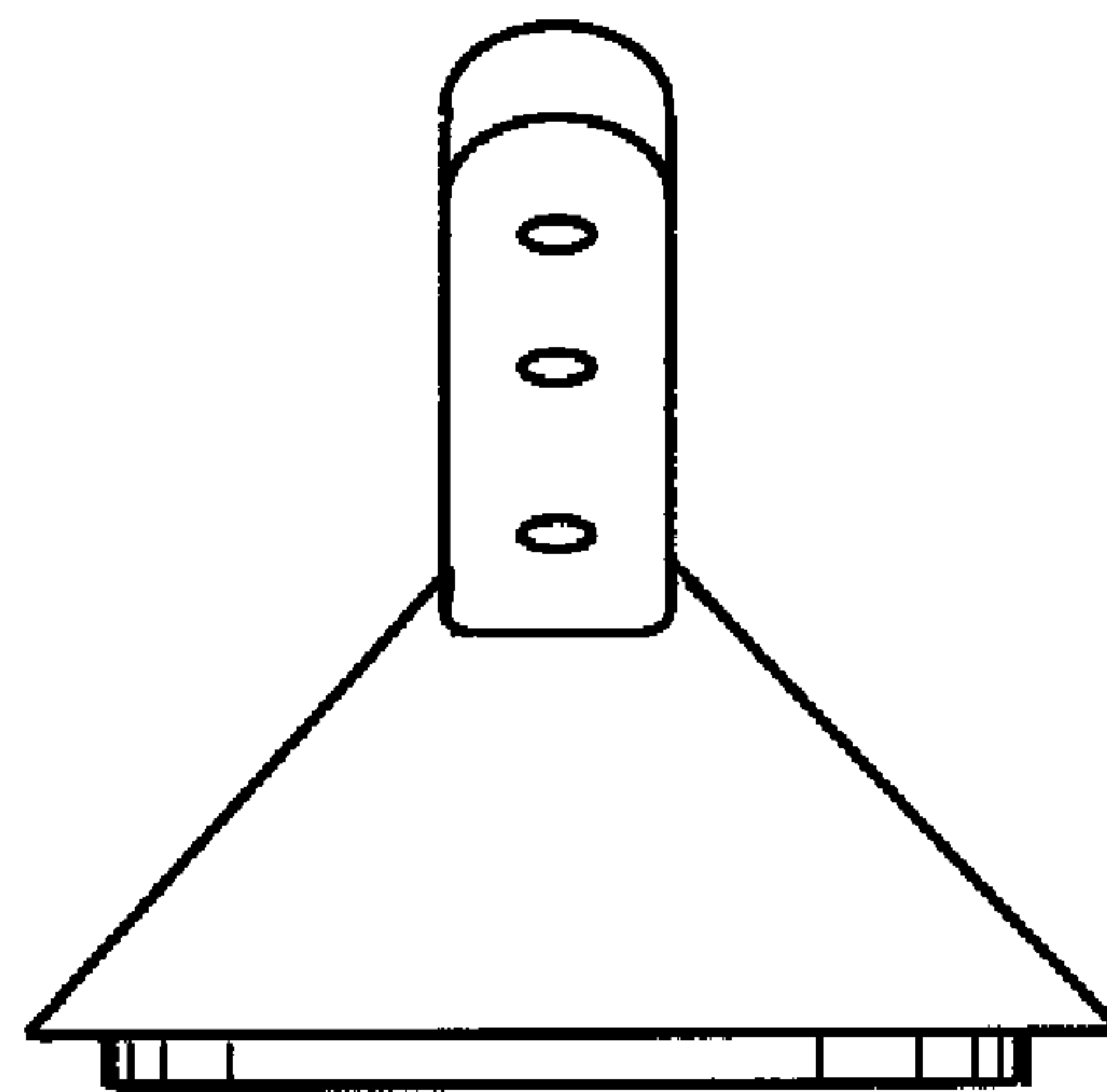


Fig. 3

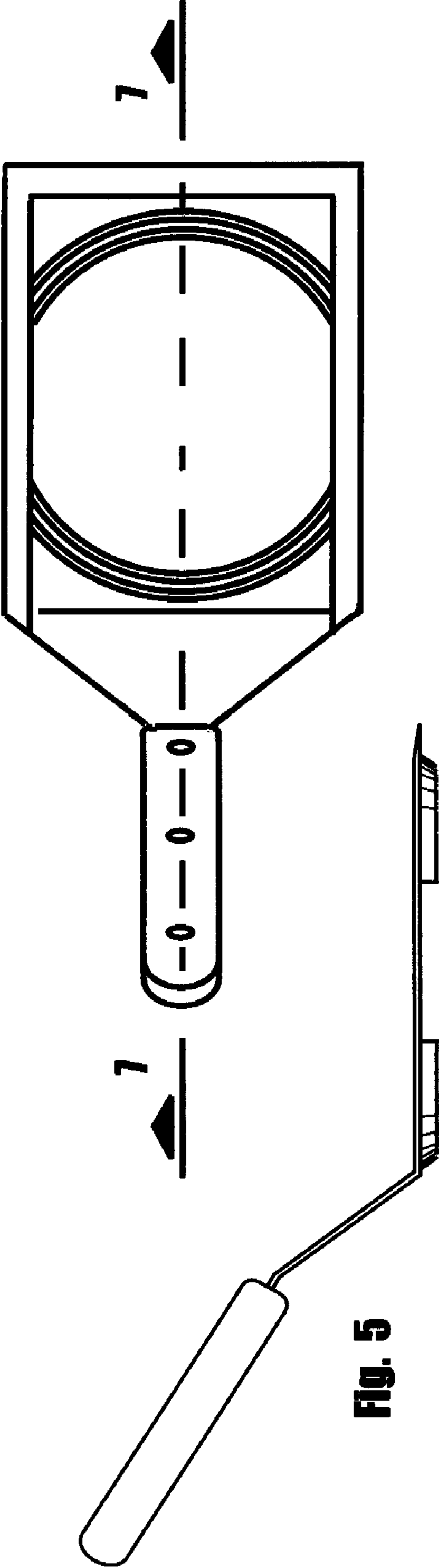


FIG. 4

FIG. 5

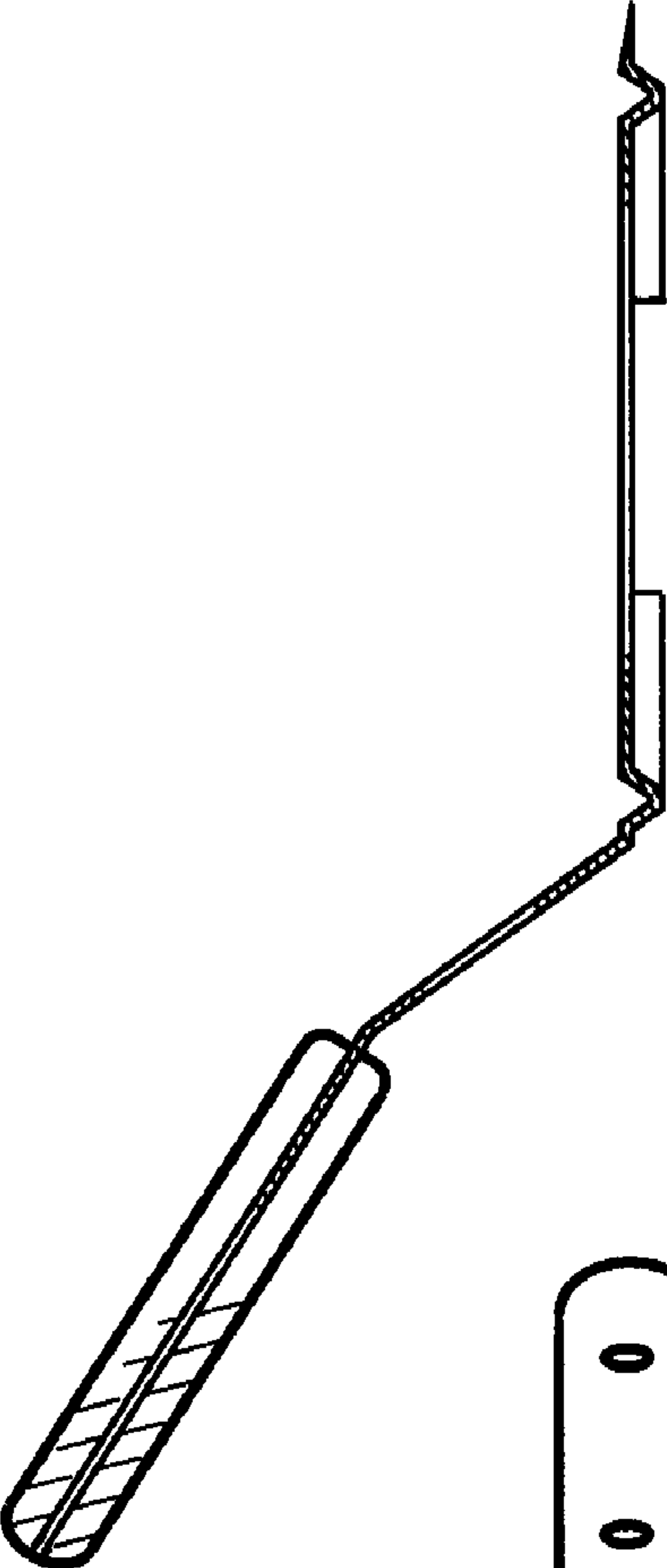


FIG. 7

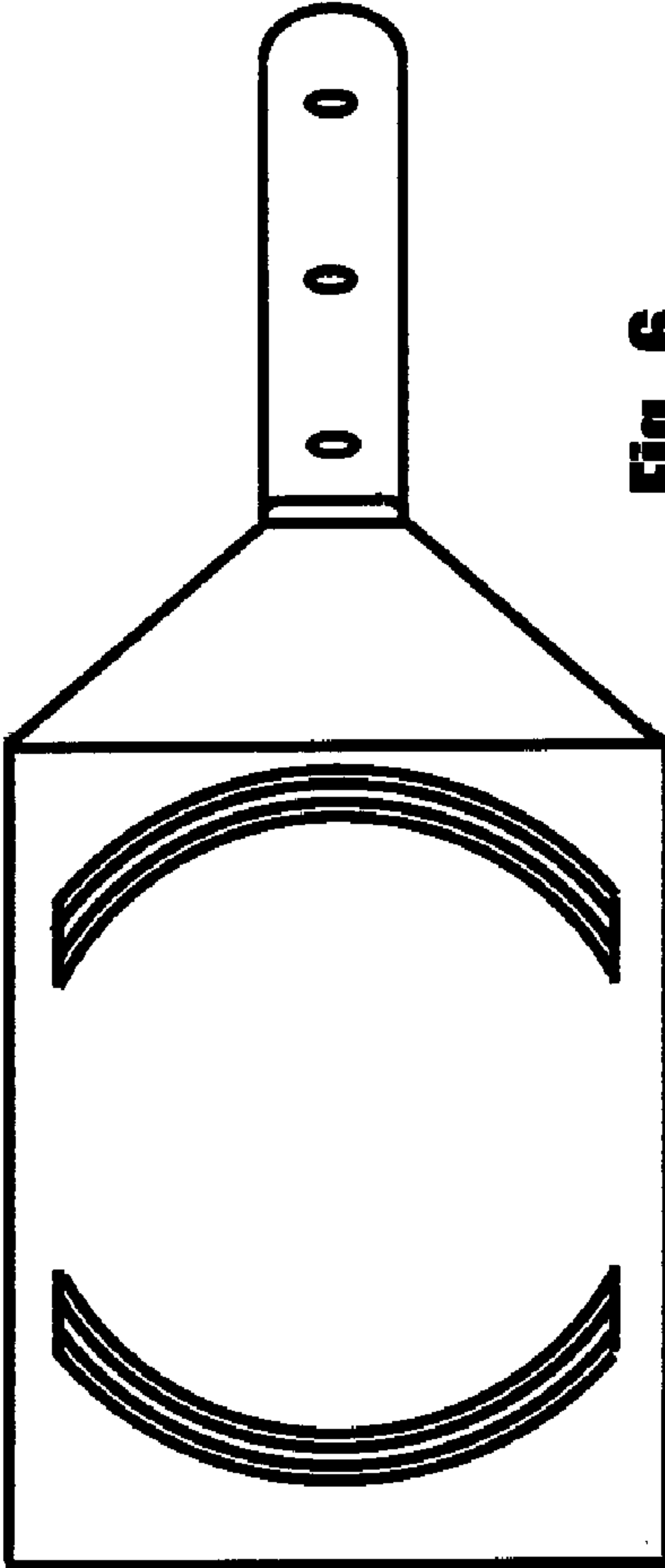


FIG. 6