

US00D600505S

(12) **United States Design Patent**  
**Godinger**

(10) **Patent No.:** **US D600,505 S**

(45) **Date of Patent:** **\*\* Sep. 22, 2009**

(54) **TIERED CUPCAKE STAND**

(75) Inventor: **Arnold Godinger**, Ridgewood, NY (US)

(73) Assignee: **Godinger Silver Art Co, Ltd.**,  
Ridgewood, NY (US)

(\*\*) Term: **14 Years**

(21) Appl. No.: **29/293,662**

(22) Filed: **Dec. 6, 2007**

(51) **LOC (9) Cl.** ..... **07-07**

(52) **U.S. Cl.** ..... **D7/610; D7/704**

(58) **Field of Classification Search** ..... D7/610,  
D7/701, 704, 601, 600.1-600.4; D6/452-469;  
248/176.1; D11/117; 211/71.01, 70.6, 70.7,  
211/77, 78, 74, 133.2, 128.1, 119.12, 181.1,  
211/85.31

See application file for complete search history.

(56) **References Cited**

**U.S. PATENT DOCUMENTS**

D165,303 S	*	11/1951	Rogers et al.	.....	D7/706
D166,528 S	*	4/1952	Rogers	.....	D6/458
D444,359 S	*	7/2001	Levy	.....	D7/704
D467,127 S	*	12/2002	Wright	.....	D7/601
D516,385 S	*	3/2006	Franczyk	.....	D7/610
D536,936 S	*	2/2007	Tiemann	.....	D7/704

\* cited by examiner

*Primary Examiner*—Terry A Wallace

(74) *Attorney, Agent, or Firm*—Cohen Pontani Lieberman & Pavane LLP

(57) **CLAIM**

The ornamental design for a tiered cupcake stand, as shown and described.

**DESCRIPTION**

FIG. 1 shows a front view of the tiered cupcake stand according to the invention the rear view being a mirror image thereof;

FIG. 2 is a top view thereof;

FIG. 3 is a left-side view thereof;

FIG. 4 is a bottom view thereof;

FIG. 5 is a front view of the cupcake stand with the base shown in phantom;

FIG. 6 is a top view of the stand of FIG. 5;

FIG. 7 is a left-side view thereof;

FIG. 8 is a bottom view thereof;

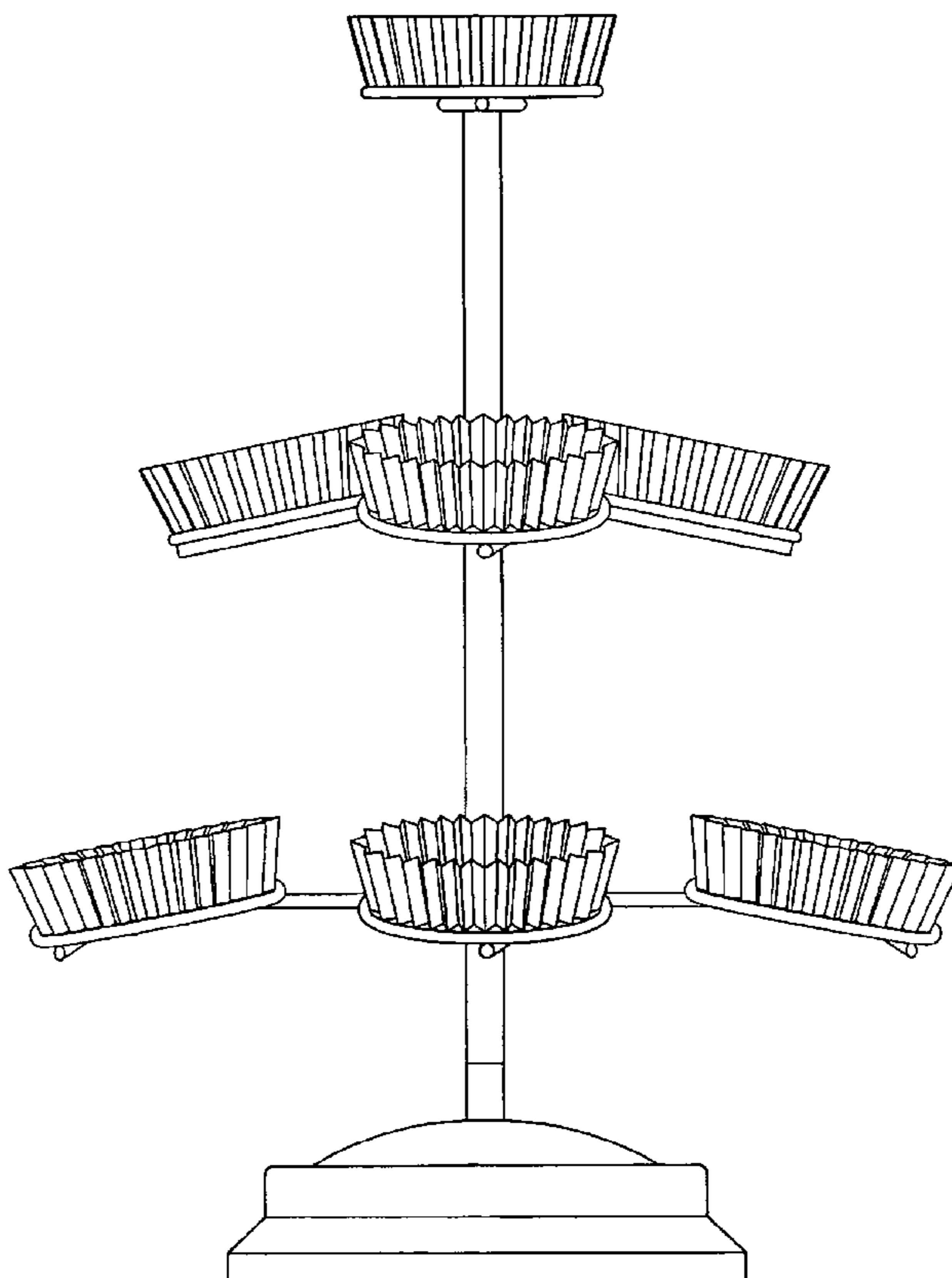
FIG. 9 is a front view of the cupcake stand with the base and the underside of each cupcake support shown in phantom;

FIG. 10 is a top view thereof;

FIG. 11 is a left-side view thereof; and,

FIG. 12 is a bottom view thereof.

**1 Claim, 12 Drawing Sheets**



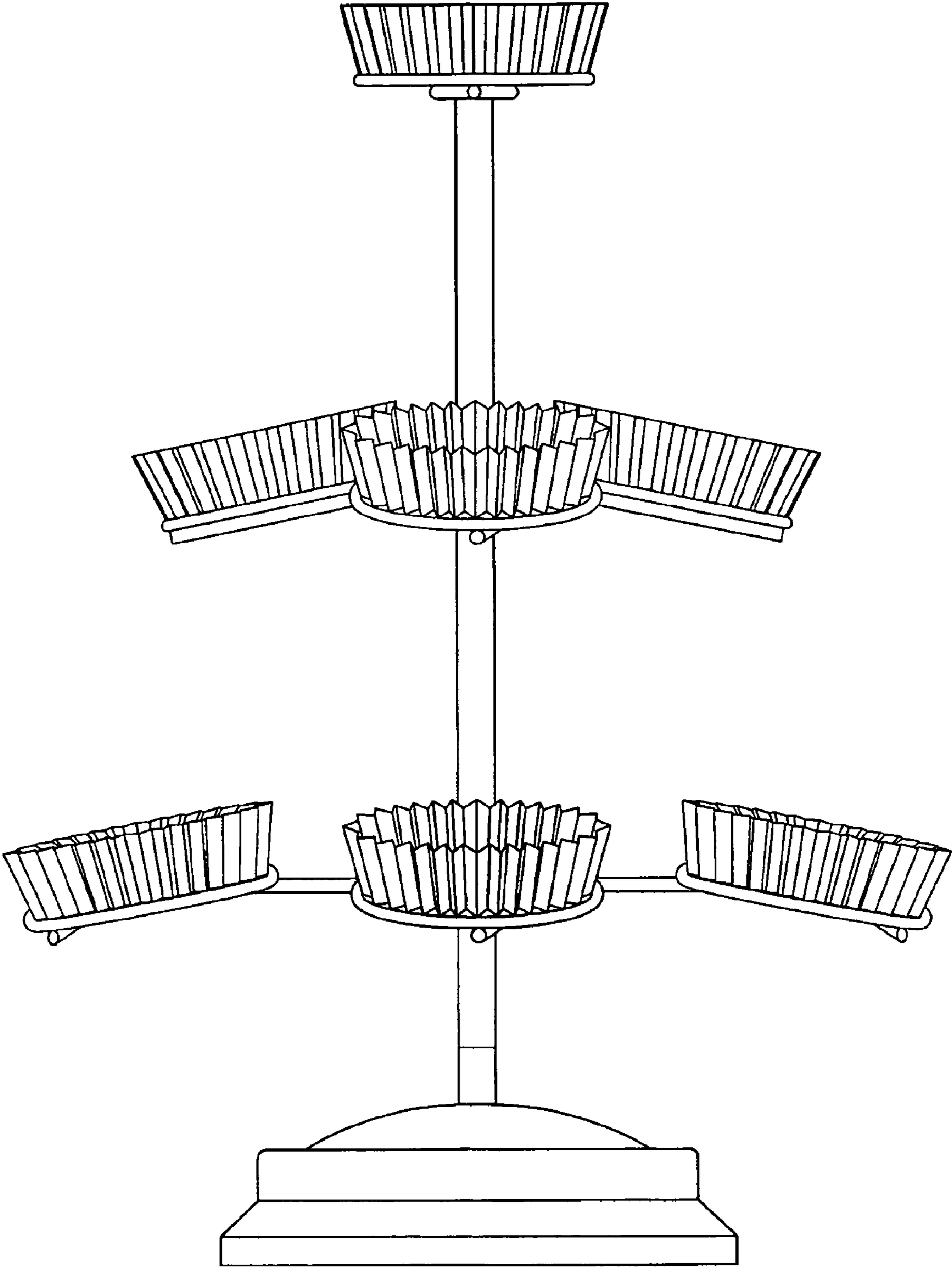


FIG. 1

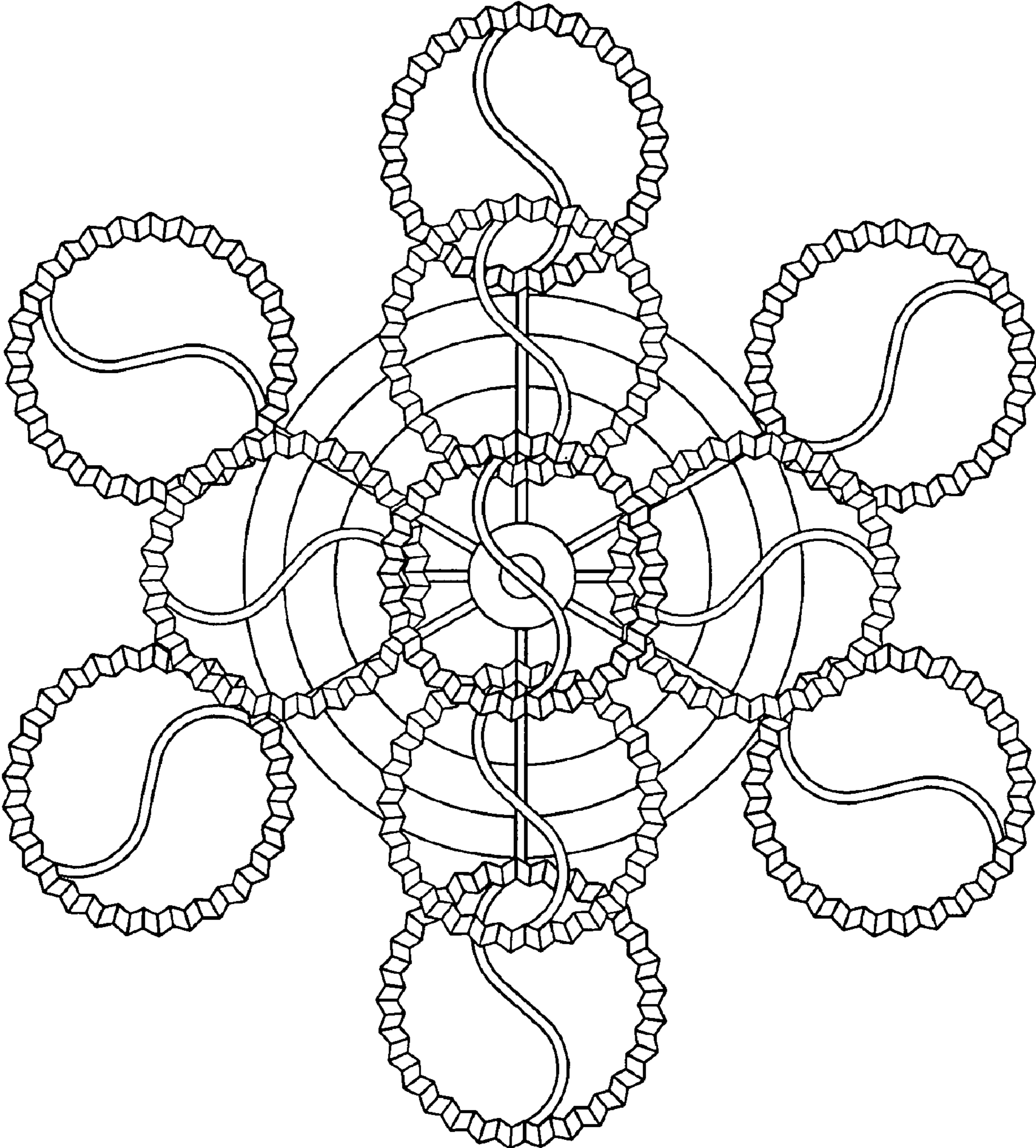


FIG.2

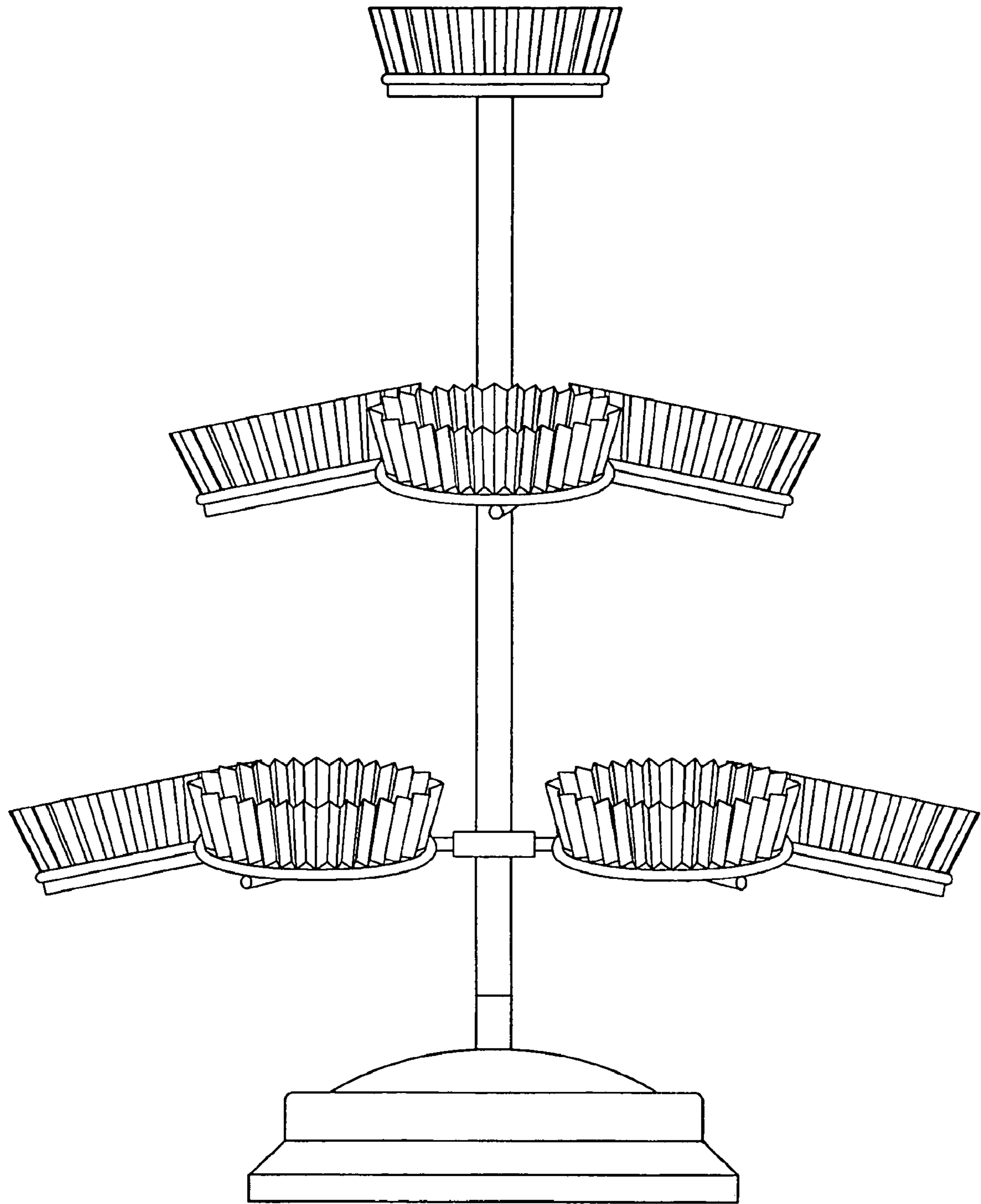


FIG.3

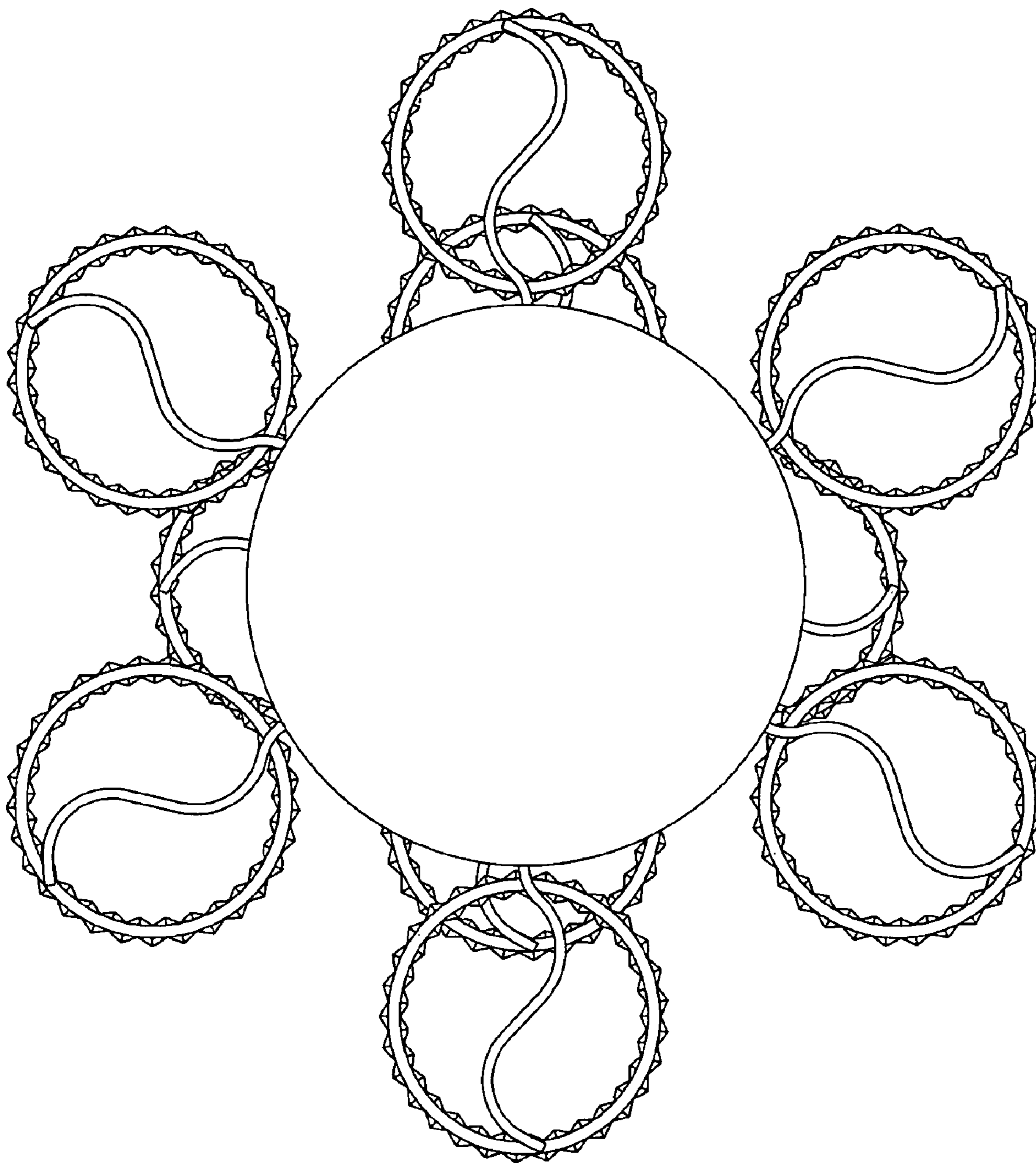


FIG. 4

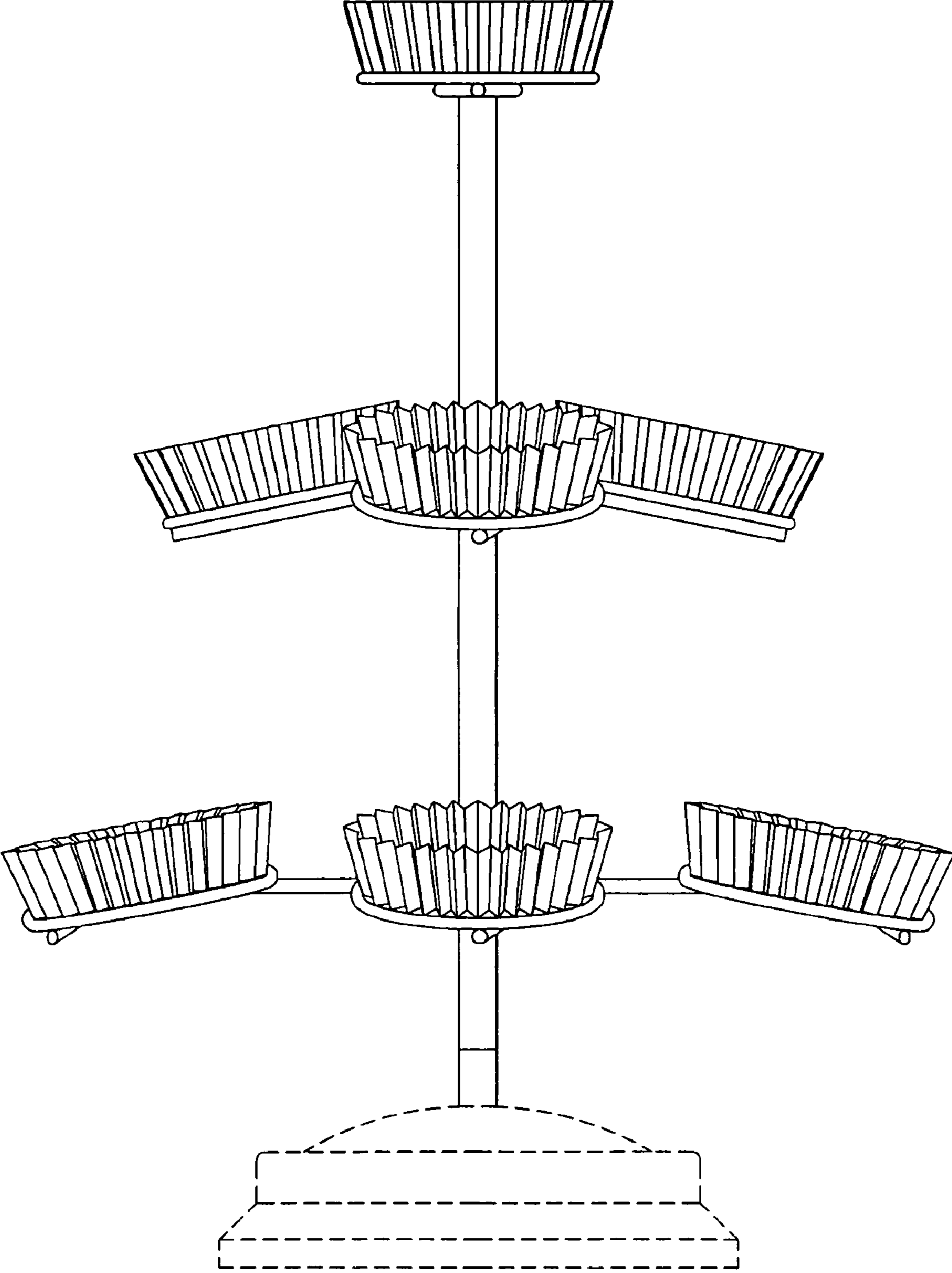


FIG.5

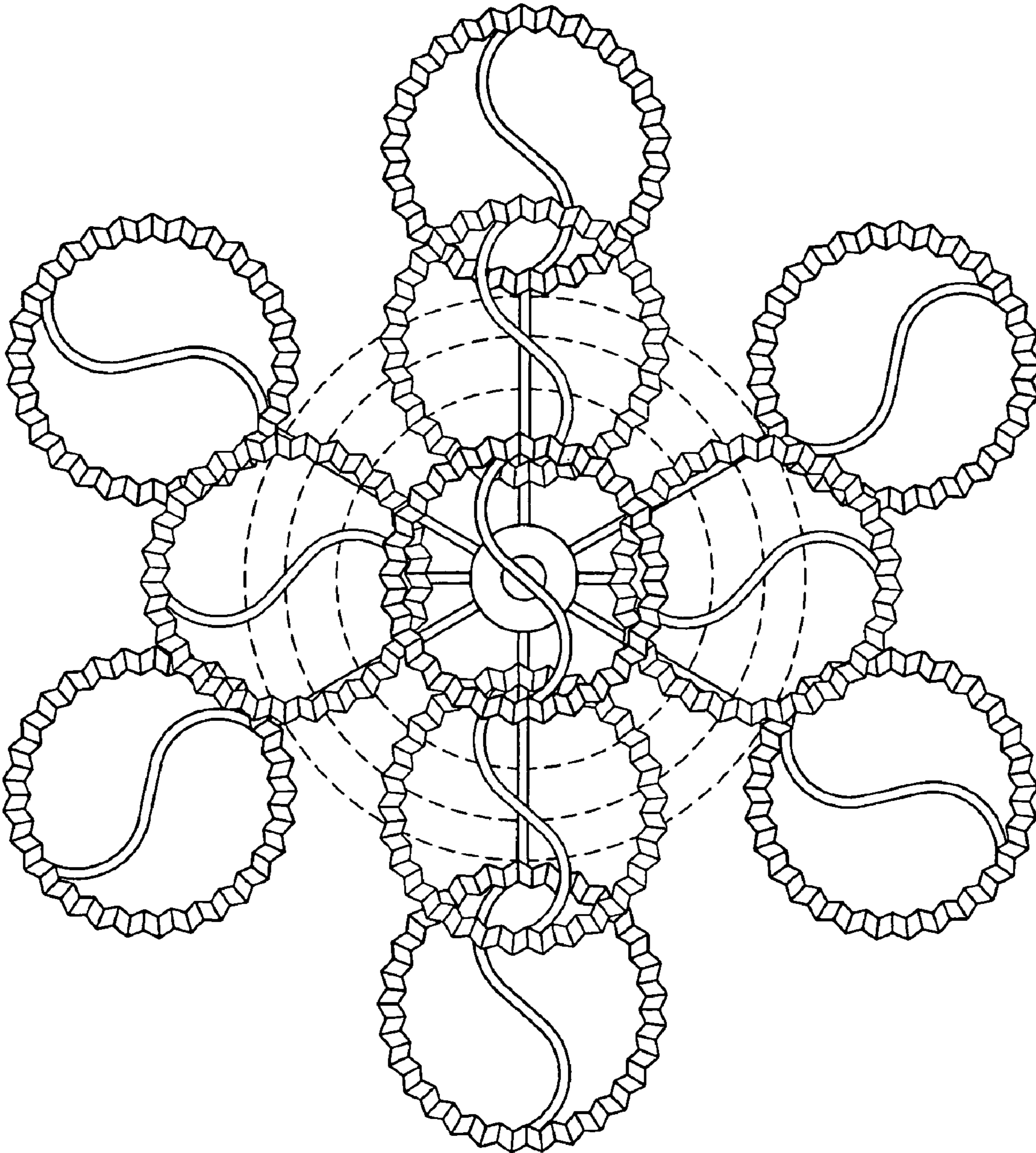


FIG. 6

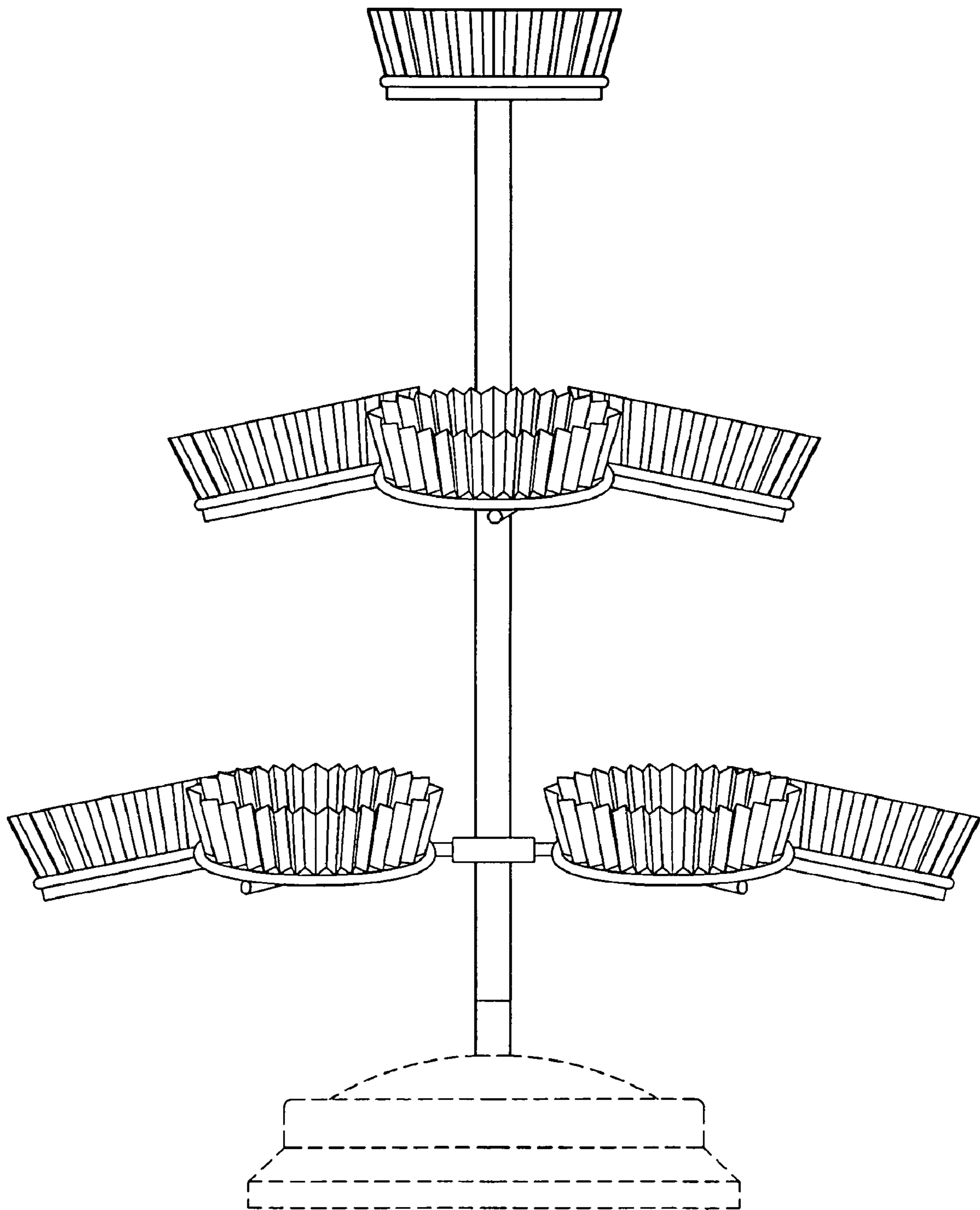


FIG.7



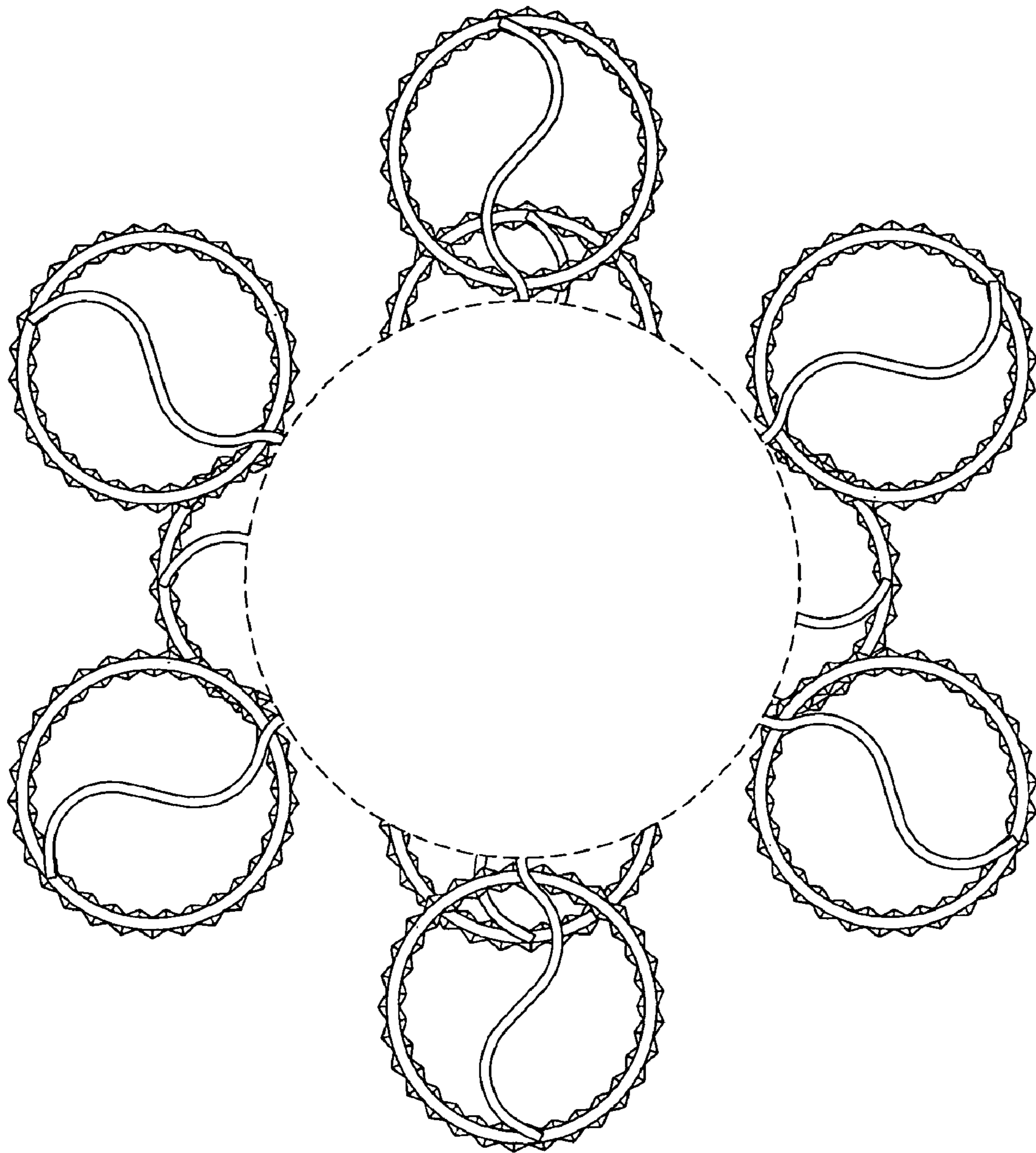


FIG.8

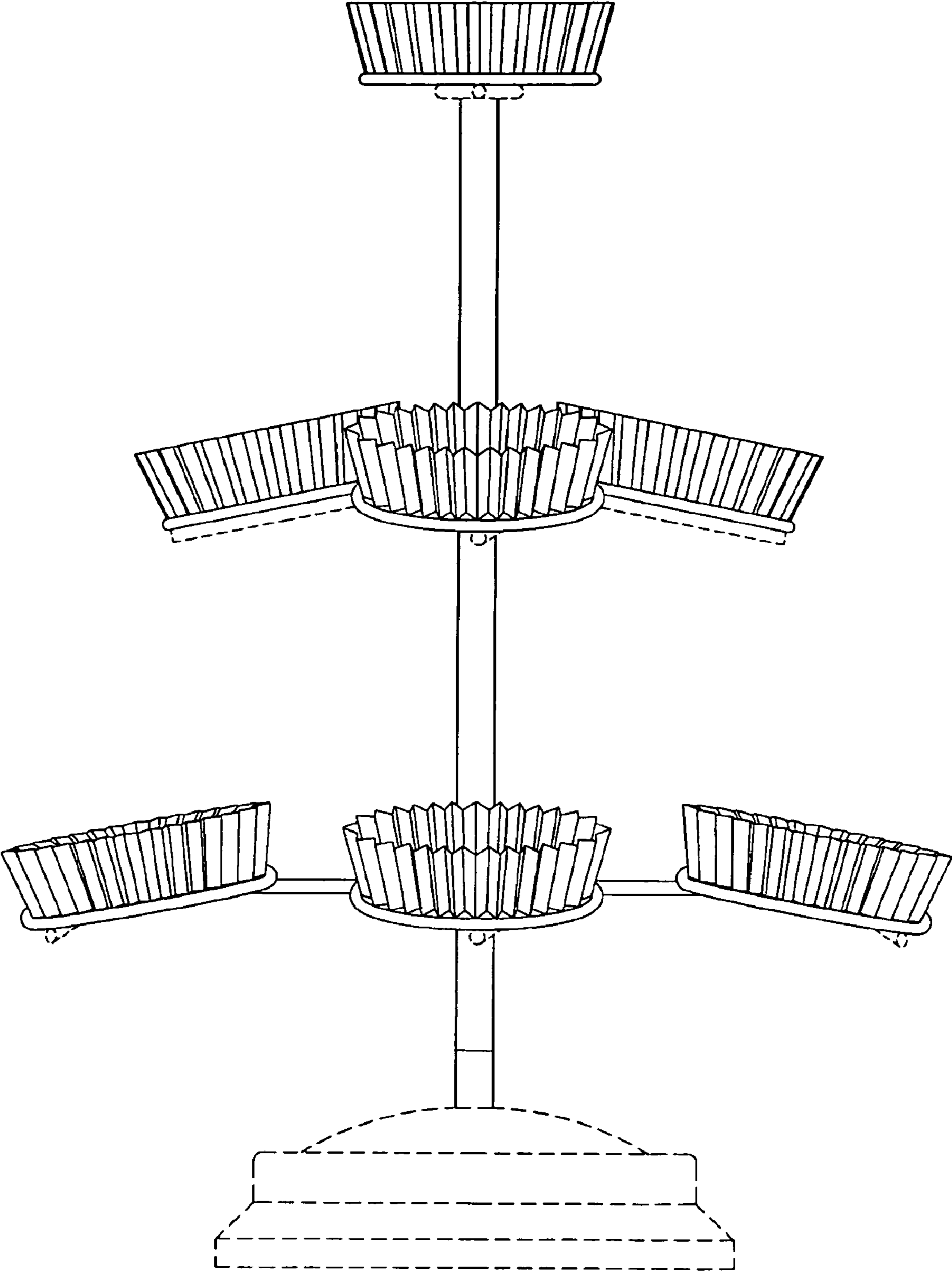


FIG.9

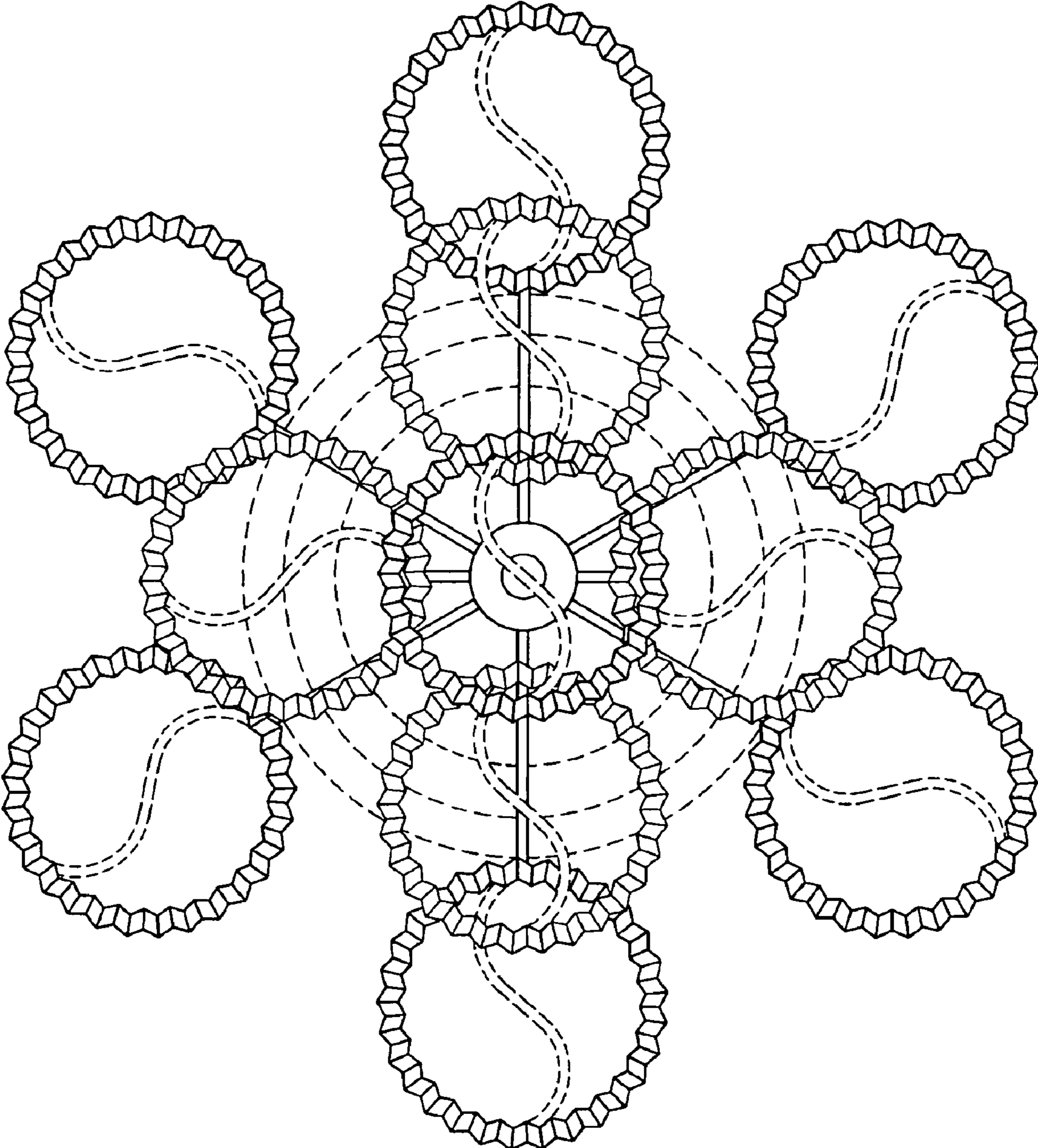


FIG. 10

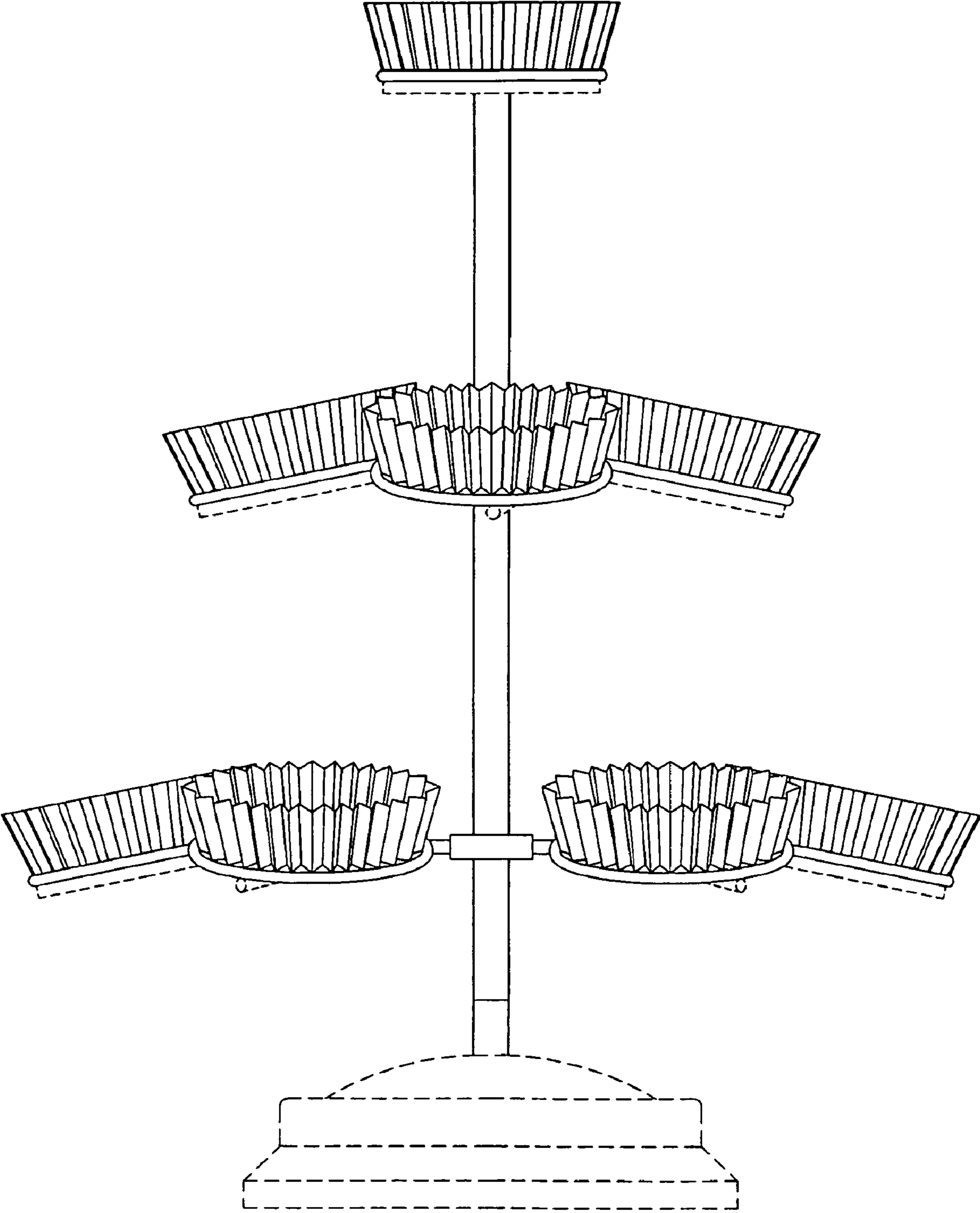


FIG.11

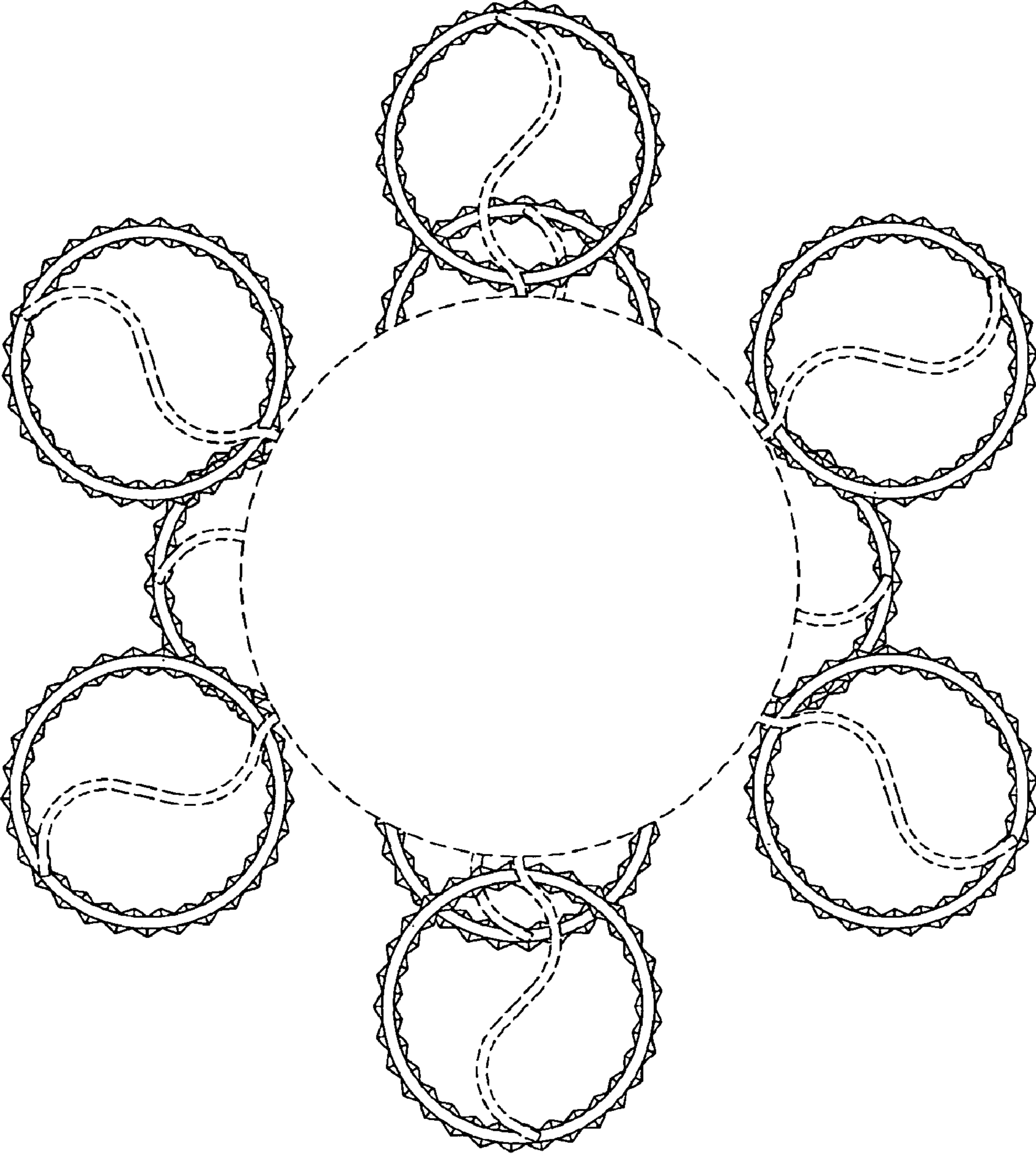


FIG. 12