



US00D600503S

(12) **United States Design Patent**
Ragsdale et al.

(10) **Patent No.:** **US D600,503 S**

(45) **Date of Patent:** **** Sep. 22, 2009**

(54) **FOOD TRAY WITH WASTE COLLECTION FEATURE**

(76) Inventors: **Donald W. Ragsdale**, 409 Conway Meadows Dr., Chesterfield, MO (US) 63017; **Steve D. Taschler**, 2143 Dartmouth Gate Ct., Wildwood, MO (US) 63011; **Steven A. Viviano**, 14525 Vallantyne Lake Rd., Charlotte, NC (US) 28277

(**) Term: **14 Years**

(21) Appl. No.: **29/310,155**

(22) Filed: **Jul. 29, 2008**

(51) **LOC (9) Cl.** **07-02**

(52) **U.S. Cl.** **D7/553.4; D9/761**

(58) **Field of Classification Search** D7/550.1, D7/565, 566, 570, 584, 586, 588, 554.2, 545, D7/505, 509, 510, 507; D9/431, 432, 761, D9/427, 425; 220/23.83, 657, 654, 771, 220/904, 574, 212, 574.4, 577, 561, 503, 220/575; 206/307, 308.1, 308.3, 504, 564, 206/440, 561; 425/623, 459

See application file for complete search history.

(56) **References Cited**

U.S. PATENT DOCUMENTS

1,858,728	A	5/1932	Creighton	
2,322,665	A	6/1943	Ryan	
D160,688	S	10/1950	Brock	
D168,230	S *	11/1952	Laughlin	D7/546
D179,780	S *	2/1957	Randall	D7/546
2,897,974	A *	8/1959	Cook	D7/552.2
2,986,438	A *	5/1961	Smathers et al.	D7/552.2
D198,804	S *	8/1964	Stevens	D7/552.2
D206,760	S *	1/1967	Kirwan	D7/553.5
D206,763	S *	1/1967	Kirwan	D7/553.5
3,305,124	A *	2/1967	Whiteford	D7/553.4
3,305,126	A *	2/1967	Cease	220/23.83
3,532,247	A *	10/1970	Bridges	D7/553.5
3,811,594	A	5/1974	Paulucci	
D257,914	S *	1/1981	Wooters	D12/419

4,351,164	A	9/1982	Christiani	
D267,767	S *	2/1983	Storrs	D7/553.5
D268,130	S *	3/1983	Easton	D7/547
D268,317	S *	3/1983	Wyatt, Jr.	D7/553.5
4,865,219	A	9/1989	Logan et al.	
D312,026	S	11/1990	Antoni et al.	
D320,909	S *	10/1991	Szablak et al.	D7/701
D397,582	S *	9/1998	Sussman	D7/553.4
D401,810	S	12/1998	Swift	
5,849,378	A	12/1998	Gask	
5,894,944	A	4/1999	Swift	
D414,409	S *	9/1999	Sanfilippo et al.	D9/761
6,042,856	A	3/2000	Sagan et al.	
6,401,927	B1	6/2002	Sorensen et al.	
6,783,017	B2	8/2004	Griffin	
D496,831	S	10/2004	Strahota et al.	
D574,665	S *	8/2008	James	D7/553.4

(Continued)

Primary Examiner—Charles A Rademaker

(74) *Attorney, Agent, or Firm*—Paul Denk

(57) **CLAIM**

The ornamental design for the food tray with waste collection feature, as shown and described.

DESCRIPTION

FIG. 1 is a perspective view of a food tray with waste collection feature showing our new design;

FIG. 2 is a rear elevation thereof;

FIG. 3 is a front elevation thereof;

FIG. 4 is a right side elevation thereof;

FIG. 5 is a left side elevation thereof;

FIG. 6 is a top plan view thereof;

FIG. 7 is a bottom plan view thereof;

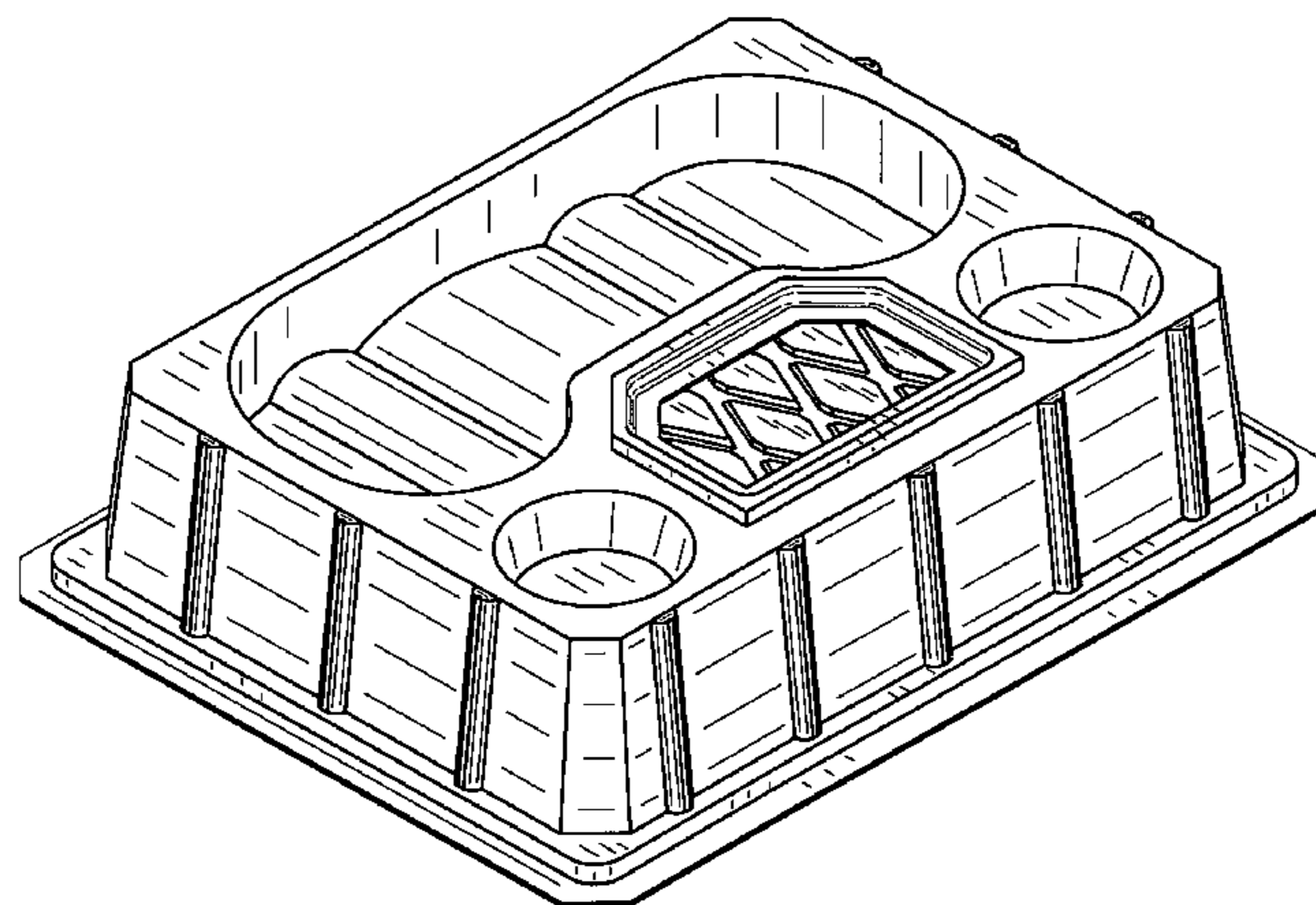
FIG. 8 is another bottom plan view thereof showing a planar and modified embodiment;

FIG. 9 is a top plan view of the design shown in FIGS. 1 through 8 in an open position;

FIG. 10 is a bottom plan view thereof; and,

FIG. 11 is a rear elevation thereof.

1 Claim, 5 Drawing Sheets



US D600,503 S

Page 2

U.S. PATENT DOCUMENTS

2007/0062965 A1 3/2007 Anderson et al.
2008/0029426 A1 2/2008 Anderson et al.
2008/0029427 A1 2/2008 Anderson et al.

2008/0083759 A1 4/2008 Anderson et al.
2008/0083760 A1 4/2008 Anderson et al.
2008/0110914 A1 5/2008 Anderson et al.

* cited by examiner

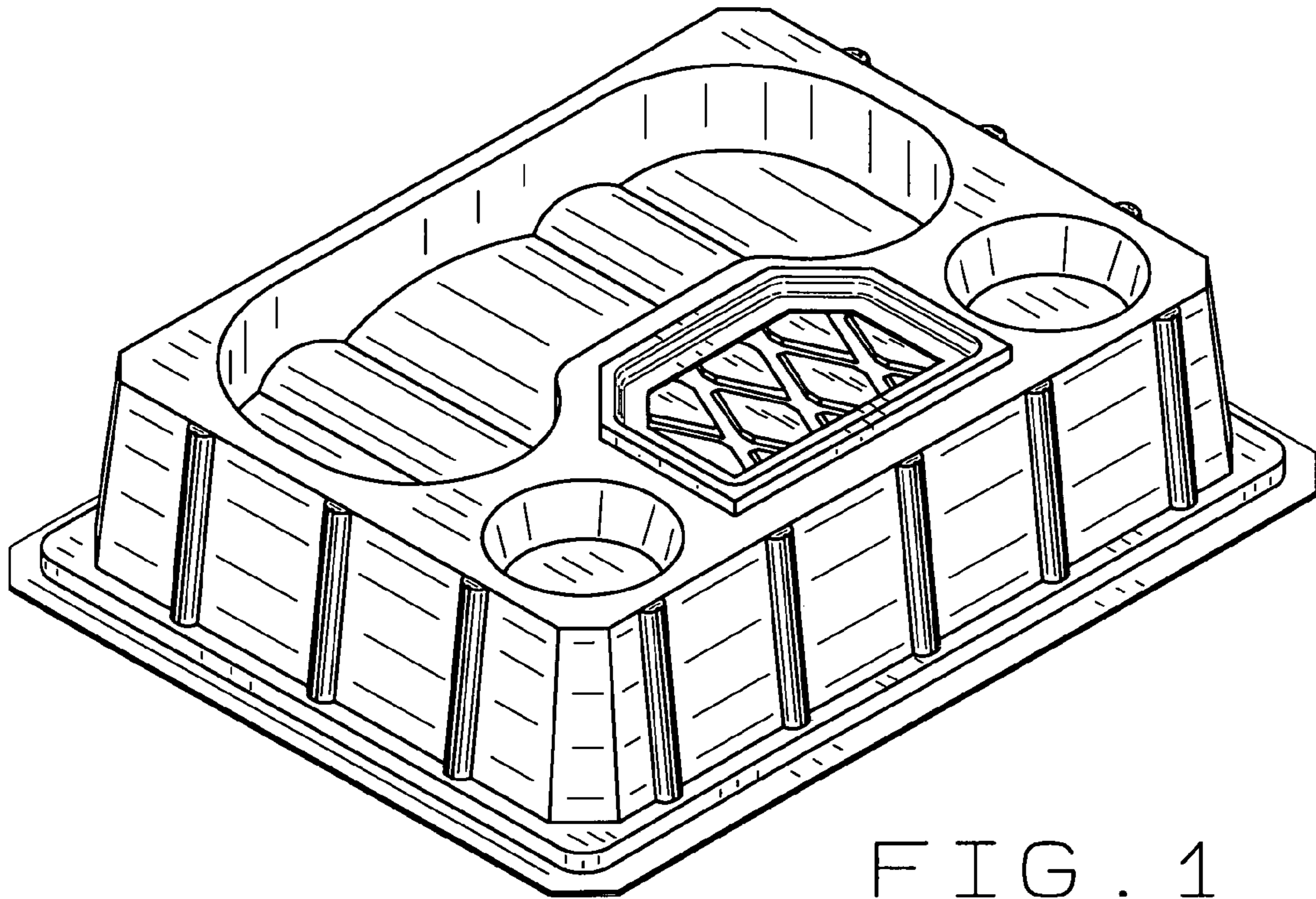


FIG. 1

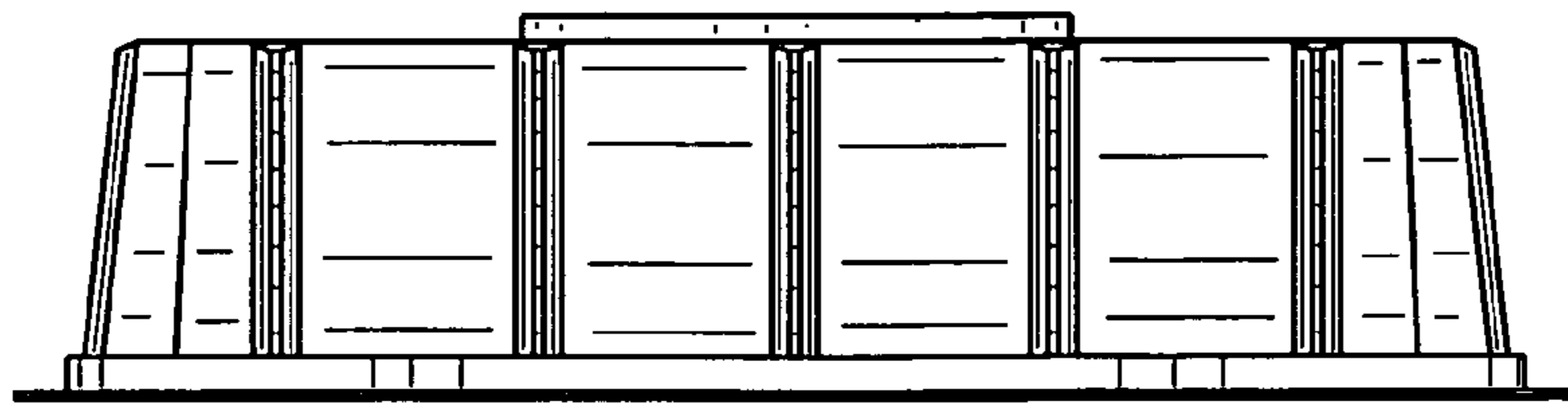


FIG. 2

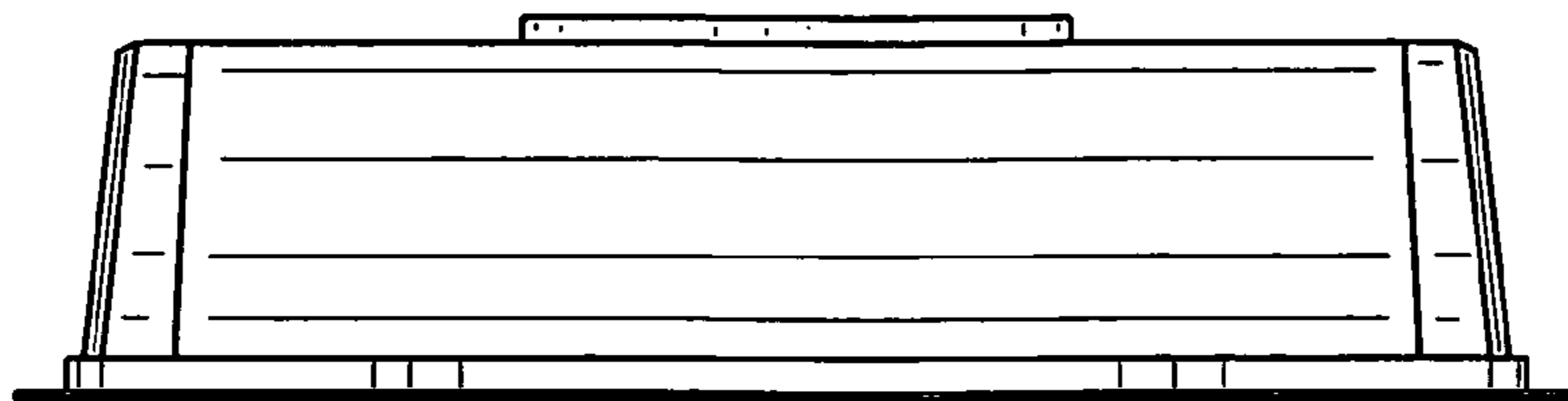


FIG. 3

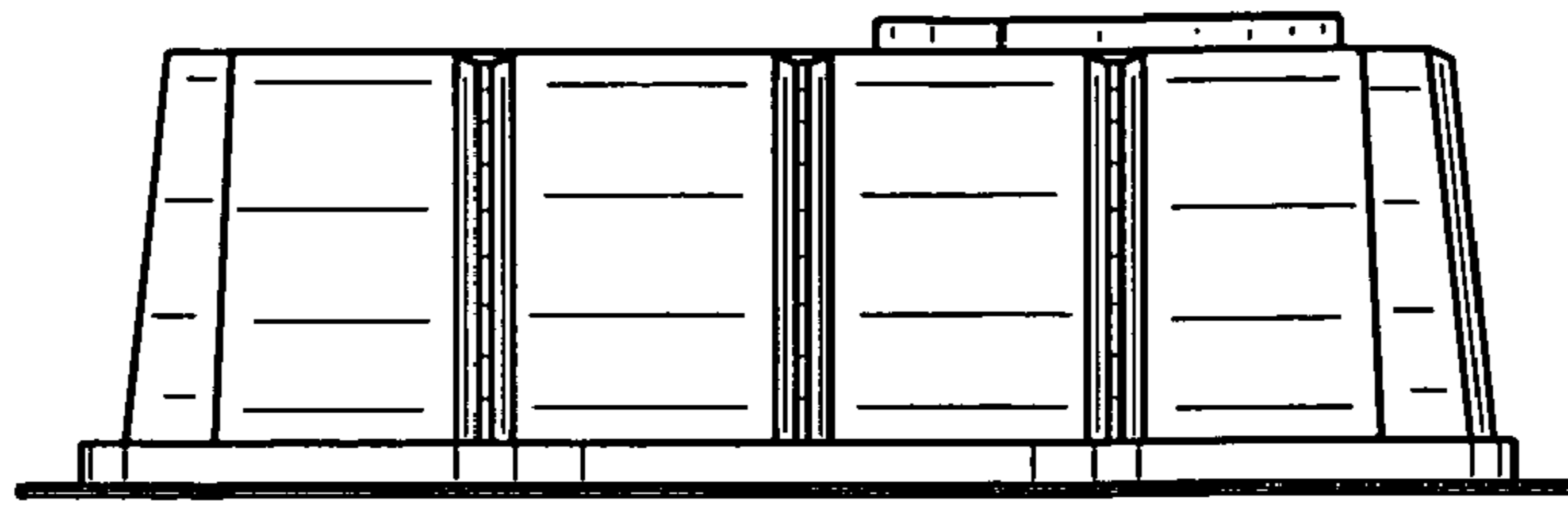


FIG. 4

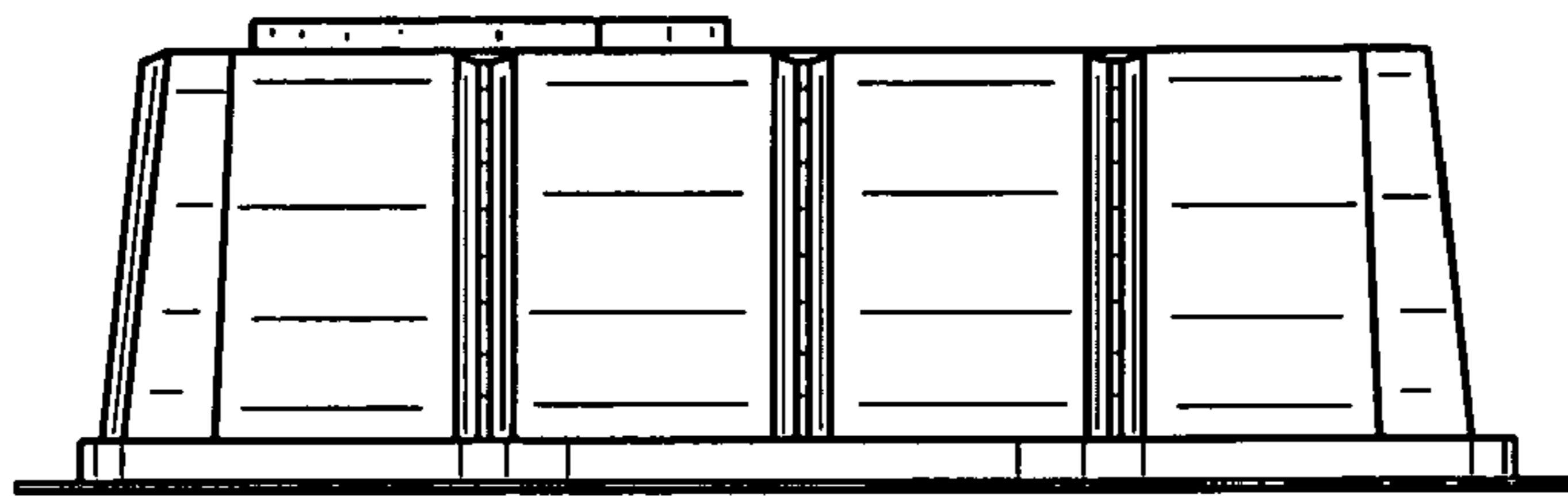


FIG. 5

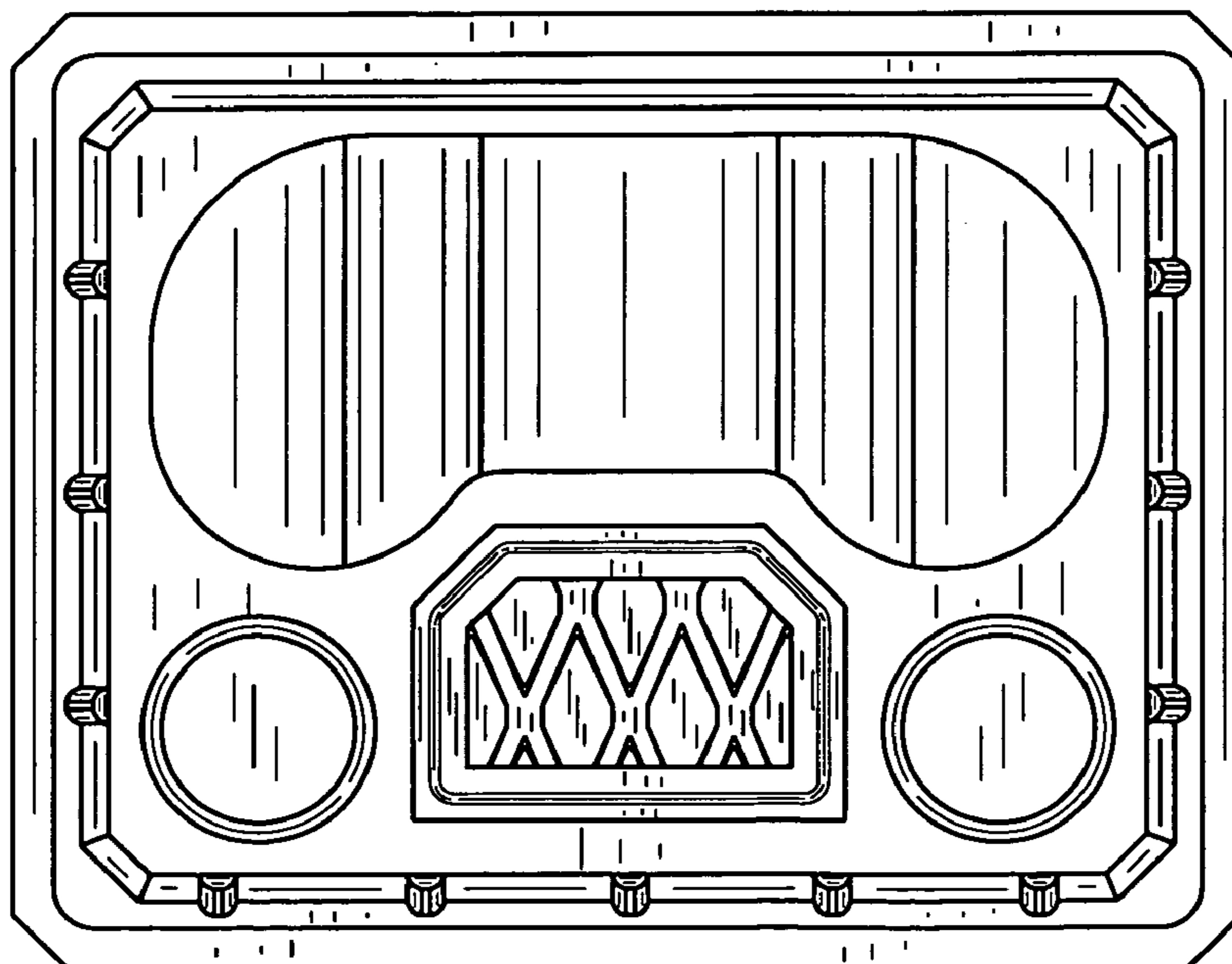


FIG. 6

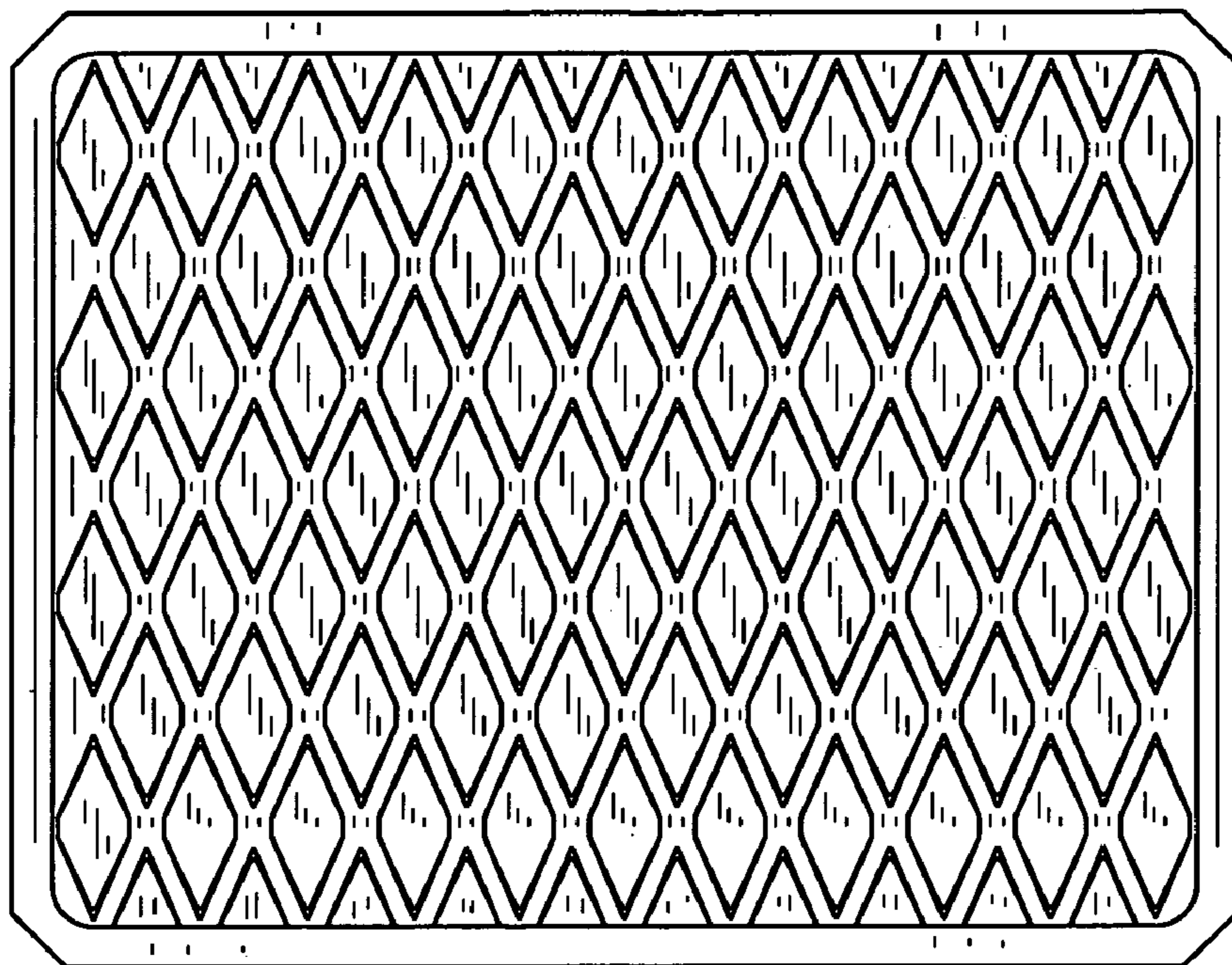


FIG. 7

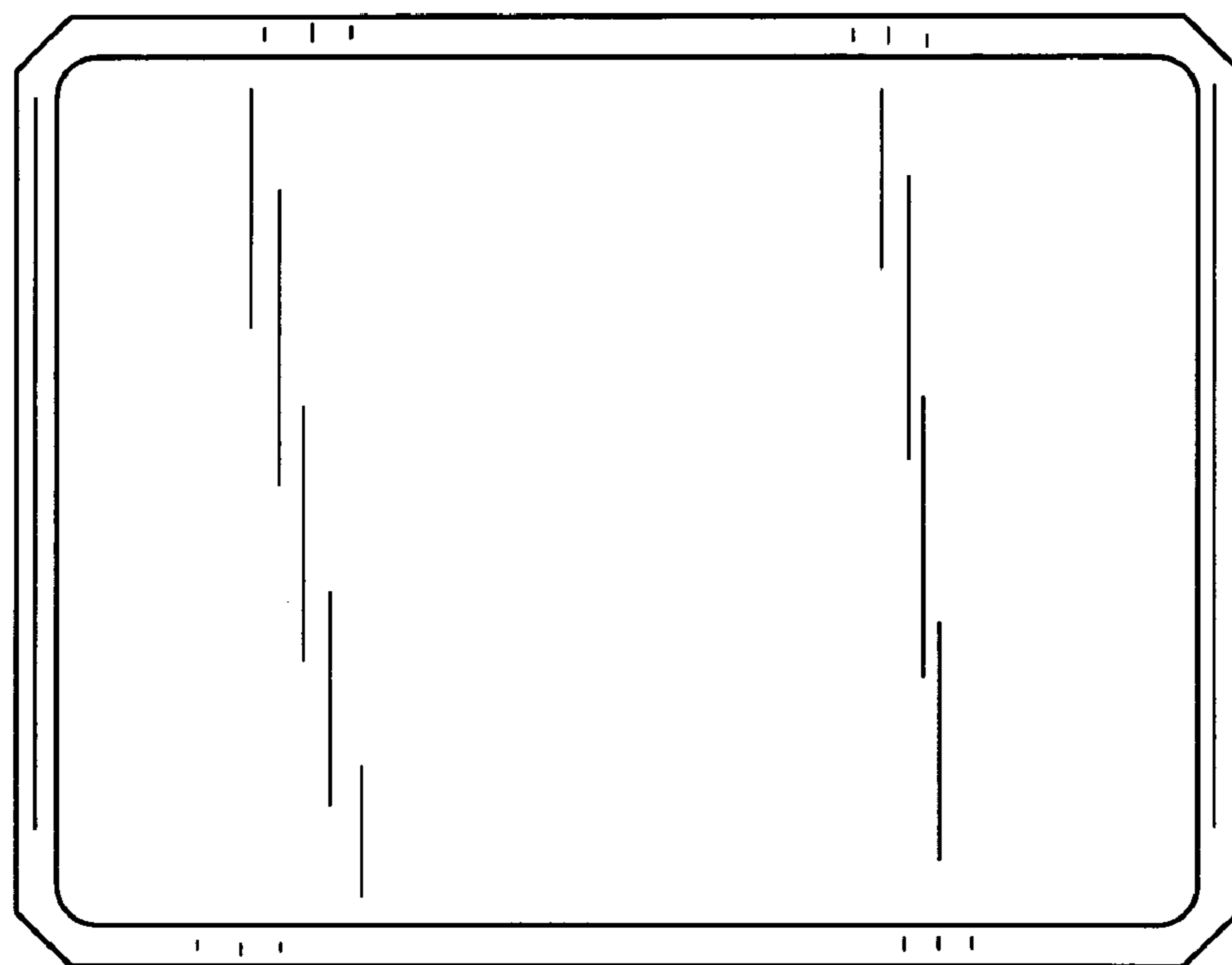


FIG. 8

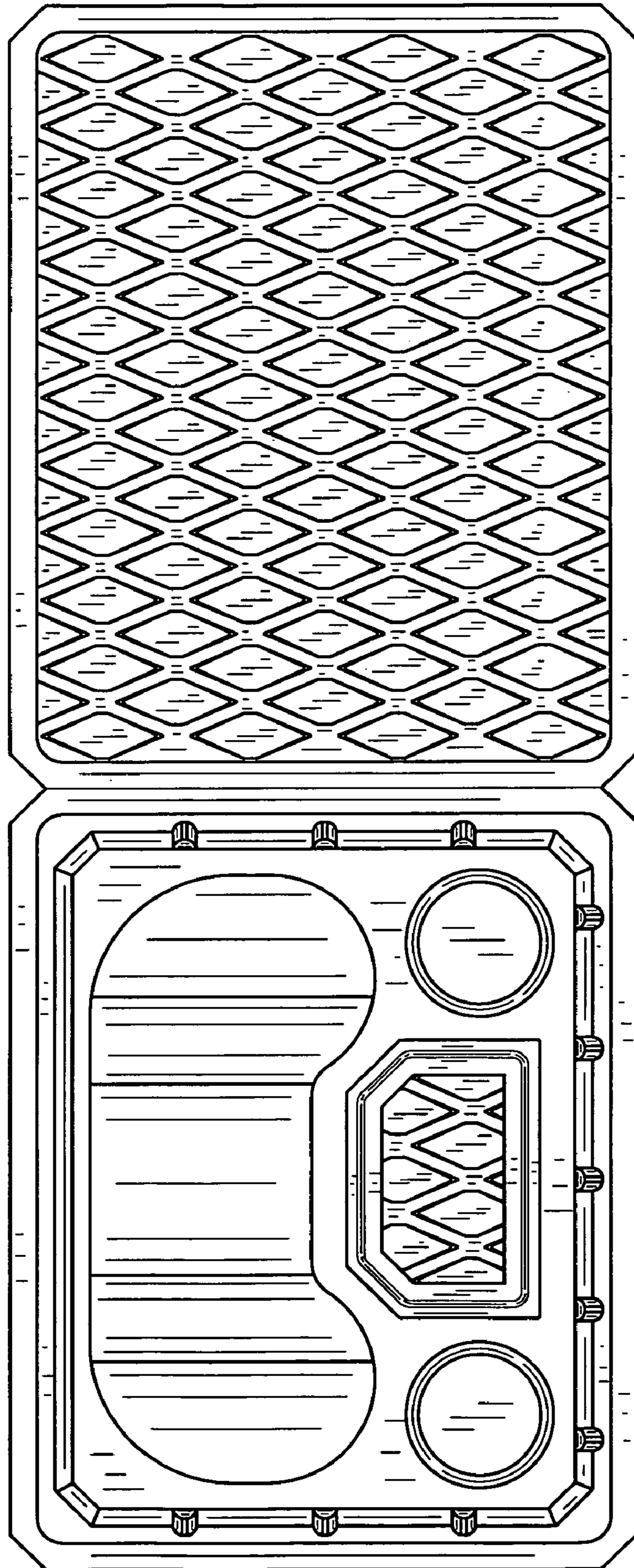


FIG. 9

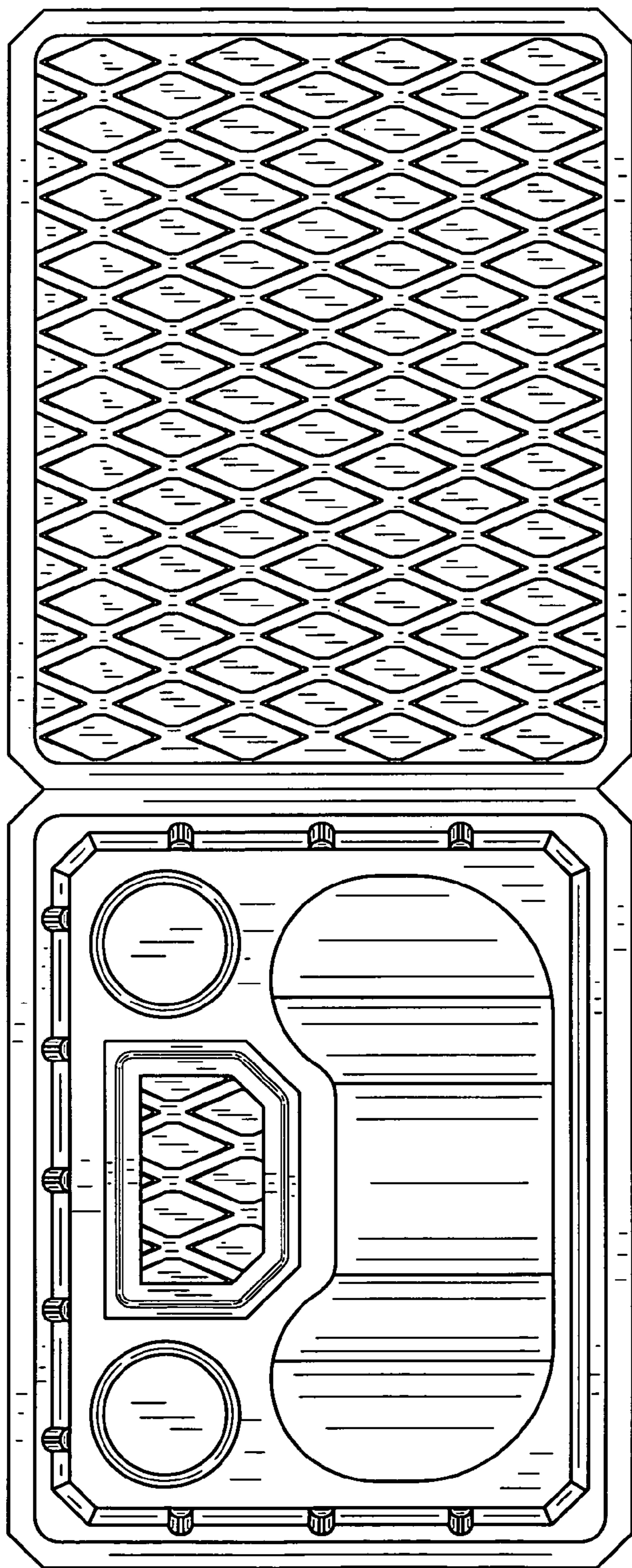


FIG. 10

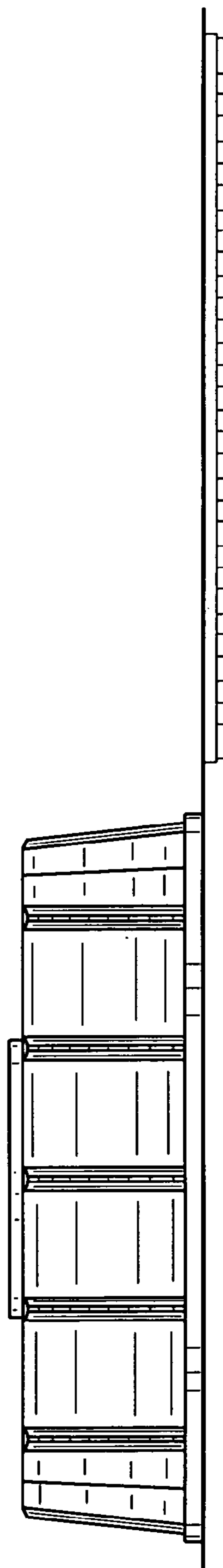


FIG. 11