



US00D600500S

(12) **United States Design Patent**
Bizzell et al.

(10) **Patent No.:** **US D600,500 S**
(45) **Date of Patent:** **** Sep. 22, 2009**

(54) **FOOD CONTAINER ASSEMBLY**

(75) Inventors: **Daniel Lee Bizzell**, Davidson, NC (US);
Ian Kovacevich, Charlotte, NC (US);
David Berglund, Marvin, NC (US);
Carole Ruffin, Charlotte, NC (US)

2,322,665 A 6/1943 Ryan
D154,224 S 6/1949 Tweet
D160,688 S 10/1950 Brock
2,781,651 A 2/1957 Cutler
D185,911 S 8/1959 Chadbourne et al.
2,897,974 A 8/1959 Cook
2,951,610 A * 9/1960 Smalley, Jr. 220/575

(73) Assignee: **Edison Nation, LLC**, Charlotte, NC (US)

(Continued)

(**) Term: **14 Years**

(21) Appl. No.: **29/304,330**

(22) Filed: **Feb. 28, 2008**

OTHER PUBLICATIONS

Information Disclosure Statement (IDS) Letter, including Exhibit A (five pages of photographs), submitted by Applicant on Apr. 10, 2009.

Primary Examiner—Charles A Rademaker
(74) *Attorney, Agent, or Firm*—Tillman Wright, PLLC; Chad D. Tillman; James D. Wright

Related U.S. Application Data

(63) Continuation-in-part of application No. 12/028,824, filed on Feb. 10, 2008, and a continuation-in-part of application No. 12/028,825, filed on Feb. 10, 2008, and a continuation-in-part of application No. 12/028,826, filed on Feb. 10, 2008, and a continuation-in-part of application No. 12/028,827, filed on Feb. 10, 2008, and a continuation-in-part of application No. 12/028,828, filed on Feb. 10, 2008, and a continuation-in-part of application No. 12/028,829, filed on Feb. 10, 2008.

(57) **CLAIM**

The ornamental design for a food container assembly, as shown and described.

(51) **LOC (9) Cl.** **07-01**
(52) **U.S. Cl.** **D7/541; D7/553.4**
(58) **Field of Classification Search** D7/500,
D7/505, 540, 555, 560, 554.2, 566, 584, 585,
D7/587, 570, 567, 543, 553.2, 553.4, 769,
D7/541, 553.8, 552.2, 629, 586; 229/401,
229/406; 220/574, 575, 561, 574.1

DESCRIPTION

FIG. 1 is a top and front perspective view of a food container assembly showing our new design;
FIG. 2 is a top plan view thereof;
FIG. 3 is a bottom plan view thereof;
FIG. 4 is a right side elevation thereof;
FIG. 5 is a left side elevation thereof;
FIG. 6 is a rear elevation thereof;
FIG. 7 is another top perspective view of thereof with the lid removed;
FIG. 8 is a top plan view thereof;
FIG. 9 is a bottom plan view thereof; and,
FIG. 10 is a side elevation thereof, the other sides being identical.

See application file for complete search history.

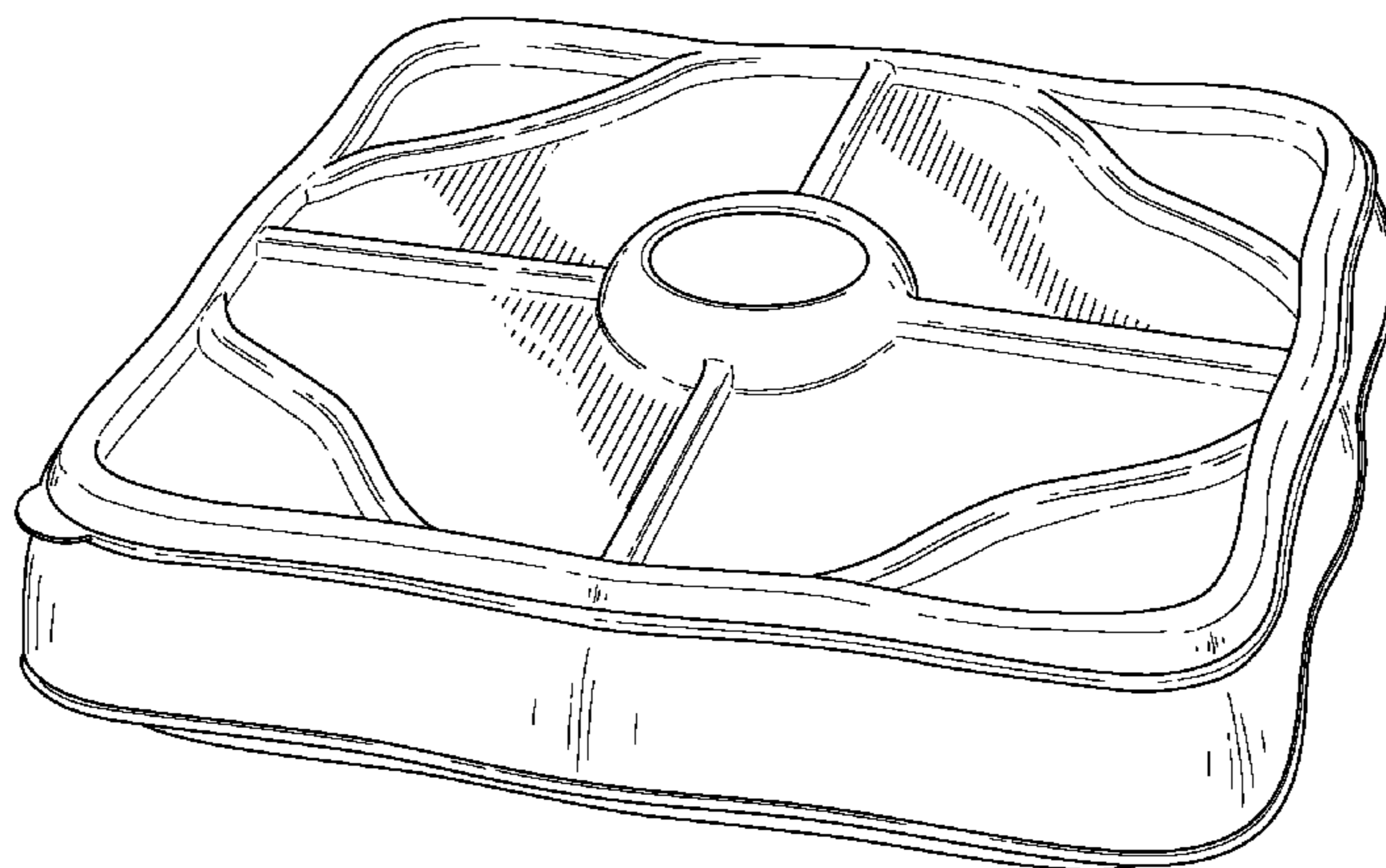
The unshown underside of the lid for the food container assembly forms no part of the claimed design.

(56) **References Cited**

U.S. PATENT DOCUMENTS

948,434 A 2/1910 Scoot
D67,011 S 4/1925 Clarke
1,595,356 A 8/1926 Moseman
1,858,728 A 5/1932 Creighton
2,050,206 A * 8/1936 Chaplin 220/574

1 Claim, 8 Drawing Sheets



US D600,500 S

Page 2

U.S. PATENT DOCUMENTS					
3,099,377	A *	7/1963 Metzler et al. 229/406	D461,099	S	8/2002 Leuenberger
D206,762	S	1/1967 Kirwan	6,514,548	B2	2/2003 Lin
D221,883	S	9/1971 Cash	6,550,630	B1	4/2003 Krupa
D230,001	S	1/1974 Wright	D489,972	S	5/2004 Lin
3,811,594	A	5/1974 Paulucci	6,783,017	B2	8/2004 Griffin
D232,294	S	8/1974 Christian et al.	D496,831	S	10/2004 Strahota et al.
4,351,164	A	9/1982 Christiani	D511,273	S	11/2005 Haderer
D285,638	S	9/1986 Trivison	D516,867	S *	3/2006 Martin et al. D7/586
D291,042	S	7/1987 Fahey et al.	D527,954	S	9/2006 Roth
4,732,274	A	3/1988 Bouton	D572,540	S *	7/2008 Shew et al. D7/629
4,865,219	A	9/1989 Logan et al.	D572,541	S *	7/2008 Shew et al. D7/629
D304,658	S	11/1989 Mattei	D586,623	S *	2/2009 Dunn D7/541
D312,026	S	11/1990 Antoni	D587,529	S *	3/2009 Pratt D7/555
D352,204	S	11/1994 Hayes et al.	D592,013	S *	5/2009 Bizzell et al. D7/553.4
D366,395	S *	1/1996 Wyatt et al. D7/552.2	D592,014	S *	5/2009 Bizzell et al. D7/553.4
5,593,062	A	1/1997 Martin	2007/0062965	A1	3/2007 Anderson et al.
D399,095	S	10/1998 Schmidt	2008/0029426	A1	2/2008 Anderson et al.
D401,810	S	12/1998 Swift	2008/0029427	A1	2/2008 Anderson et al.
5,894,944	A	4/1999 Swift	2008/0083759	A1	4/2008 Anderson et al.
6,042,856	A	3/2000 Sagan et al.	2008/0083760	A1	4/2008 Anderson et al.
D426,110	S	6/2000 Schmidt	2008/0110914	A1	5/2008 Anderson et al.
6,168,813	B1	1/2001 Blazeovich	2008/0121550	A1	5/2008 Anderson et al.
D449,966	S	11/2001 DeMars	2008/0121551	A1	5/2008 Anderson et al.
6,401,927	B1	6/2002 Sorensen et al.	2008/0121552	A1	5/2008 Anderson et al.
D460,897	S *	7/2002 Leuenberger D7/553.8	2008/0124440	A1	5/2008 Anderson et al.
			2008/0128313	A1	6/2008 Anderson et al.

* cited by examiner

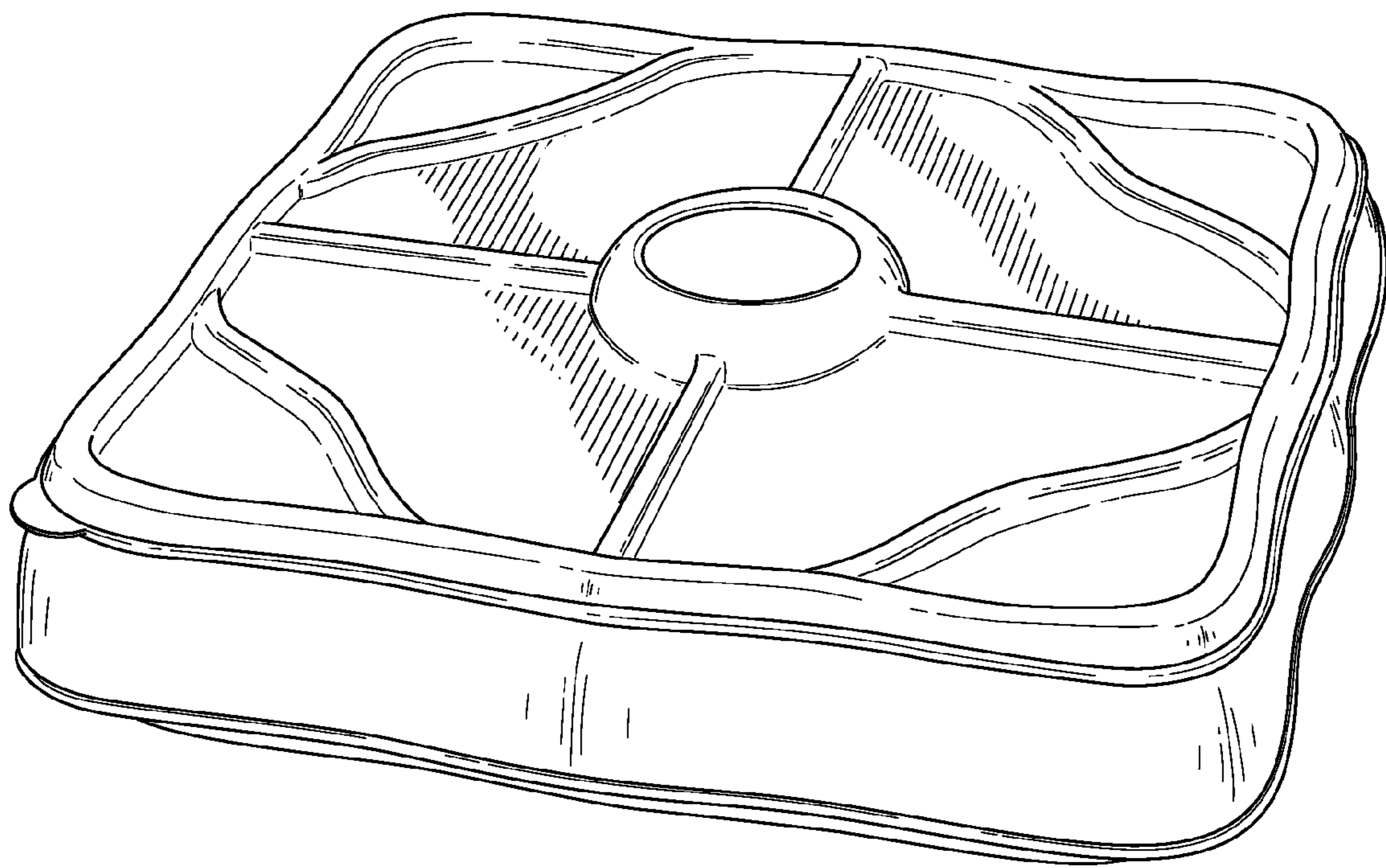


FIG. 1

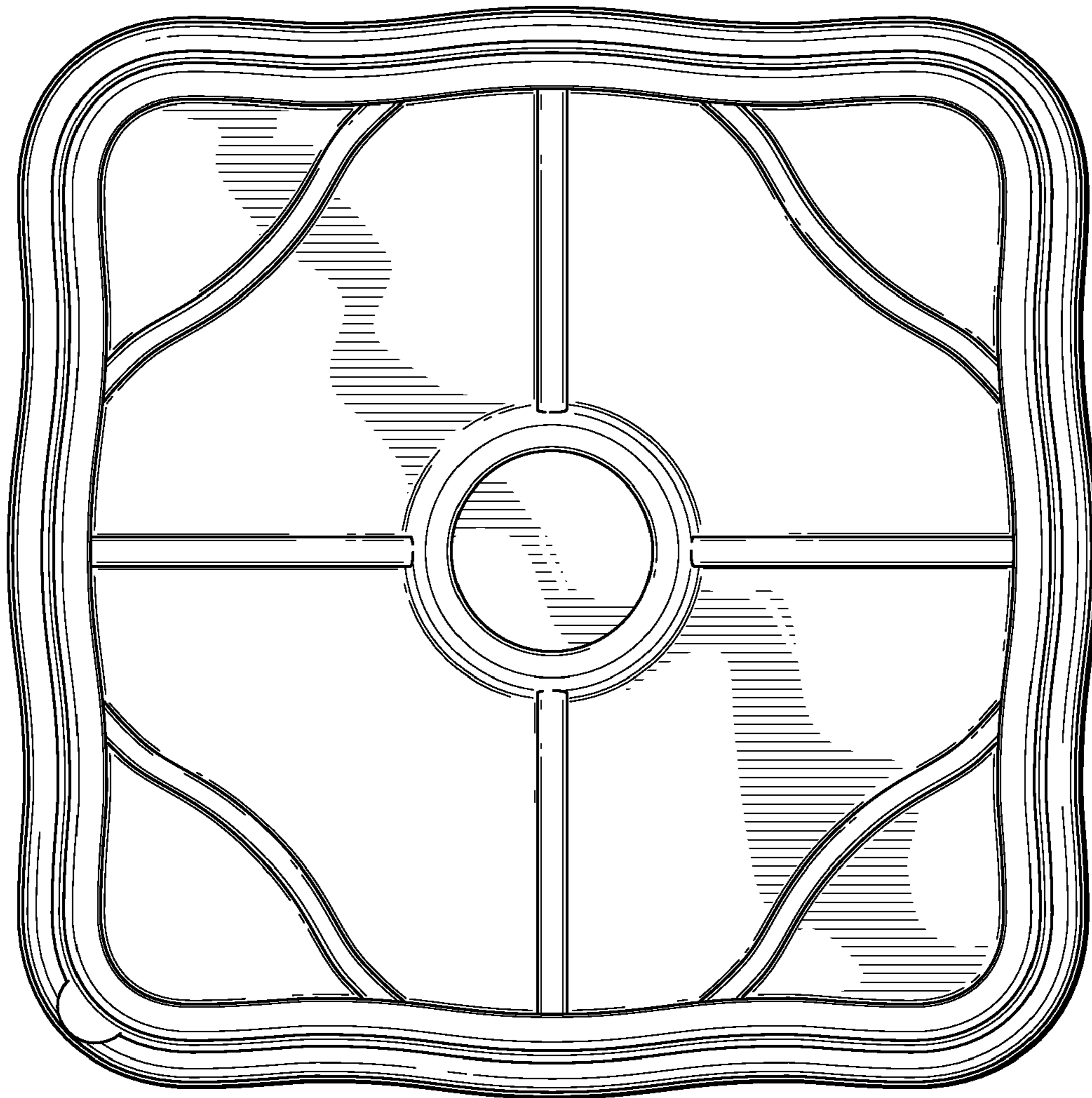


FIG. 2

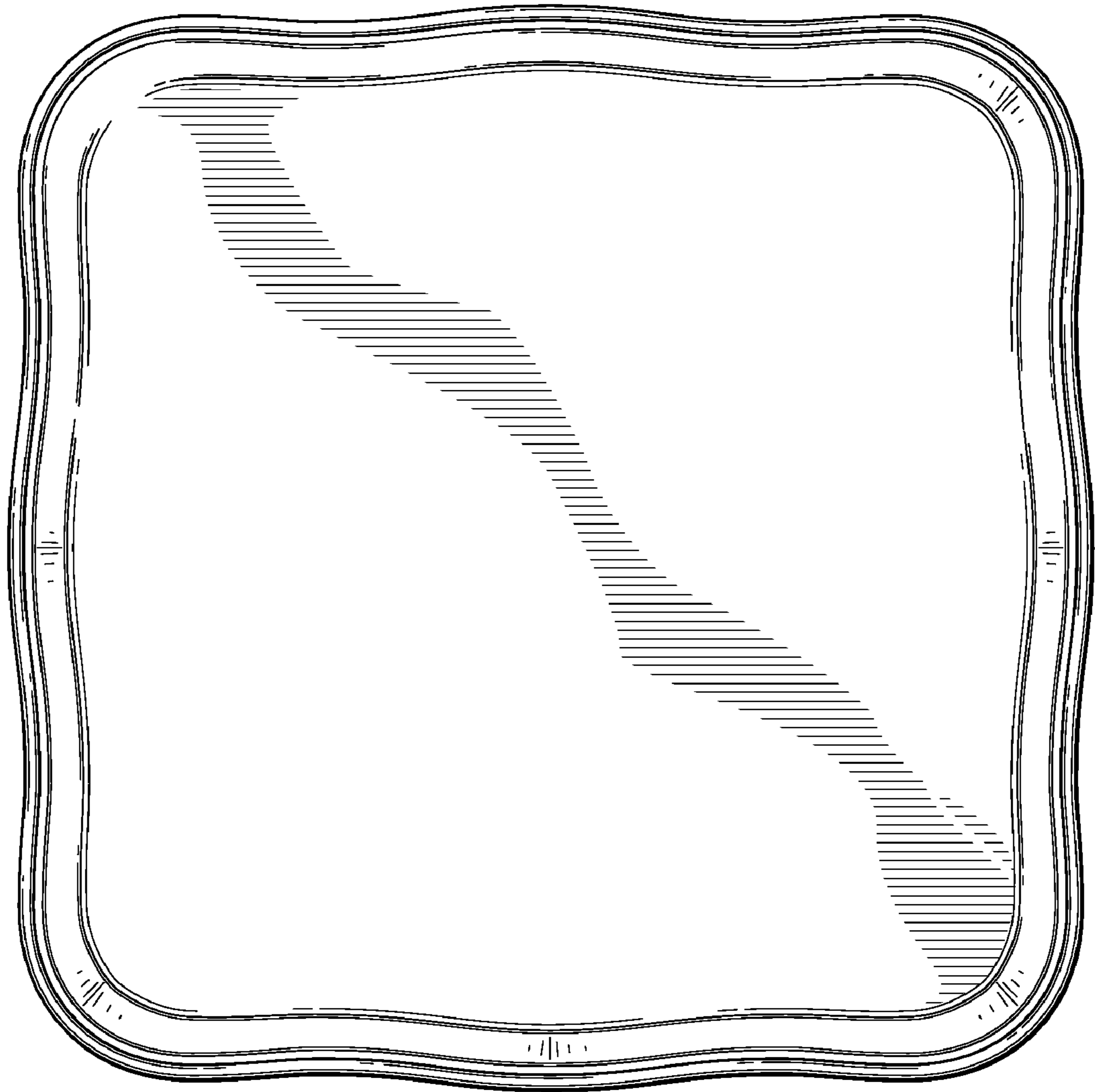


FIG. 3

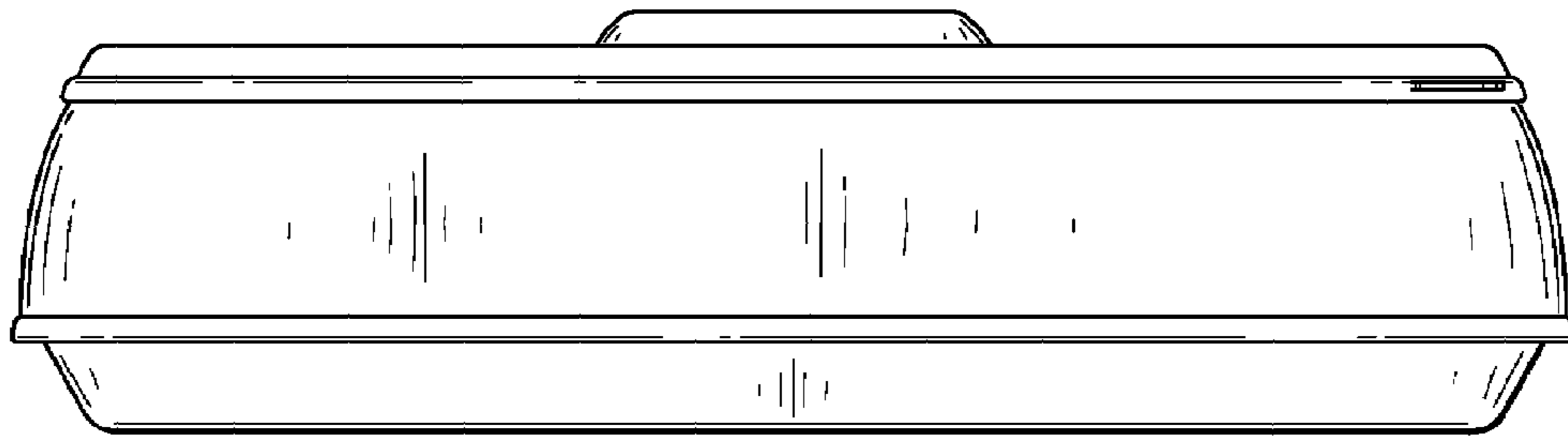


FIG. 4

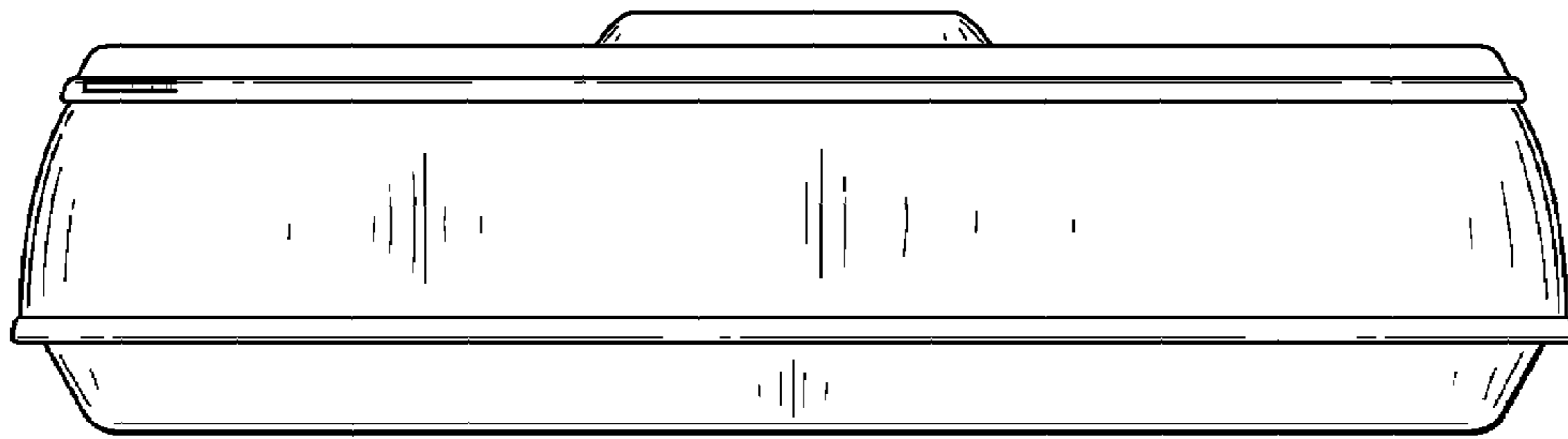


FIG. 5

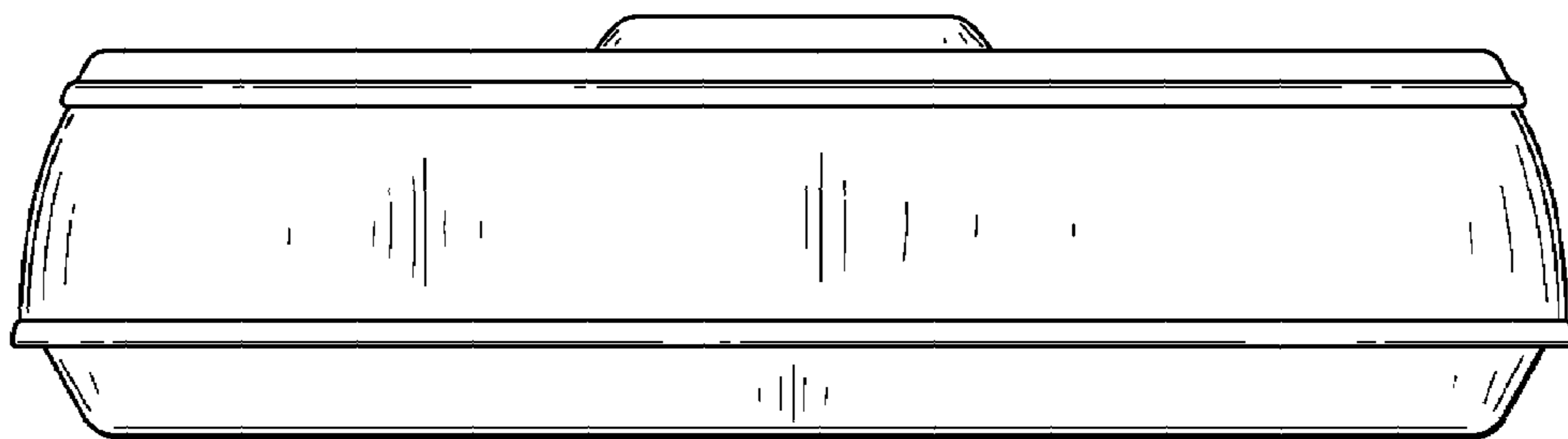


FIG. 6

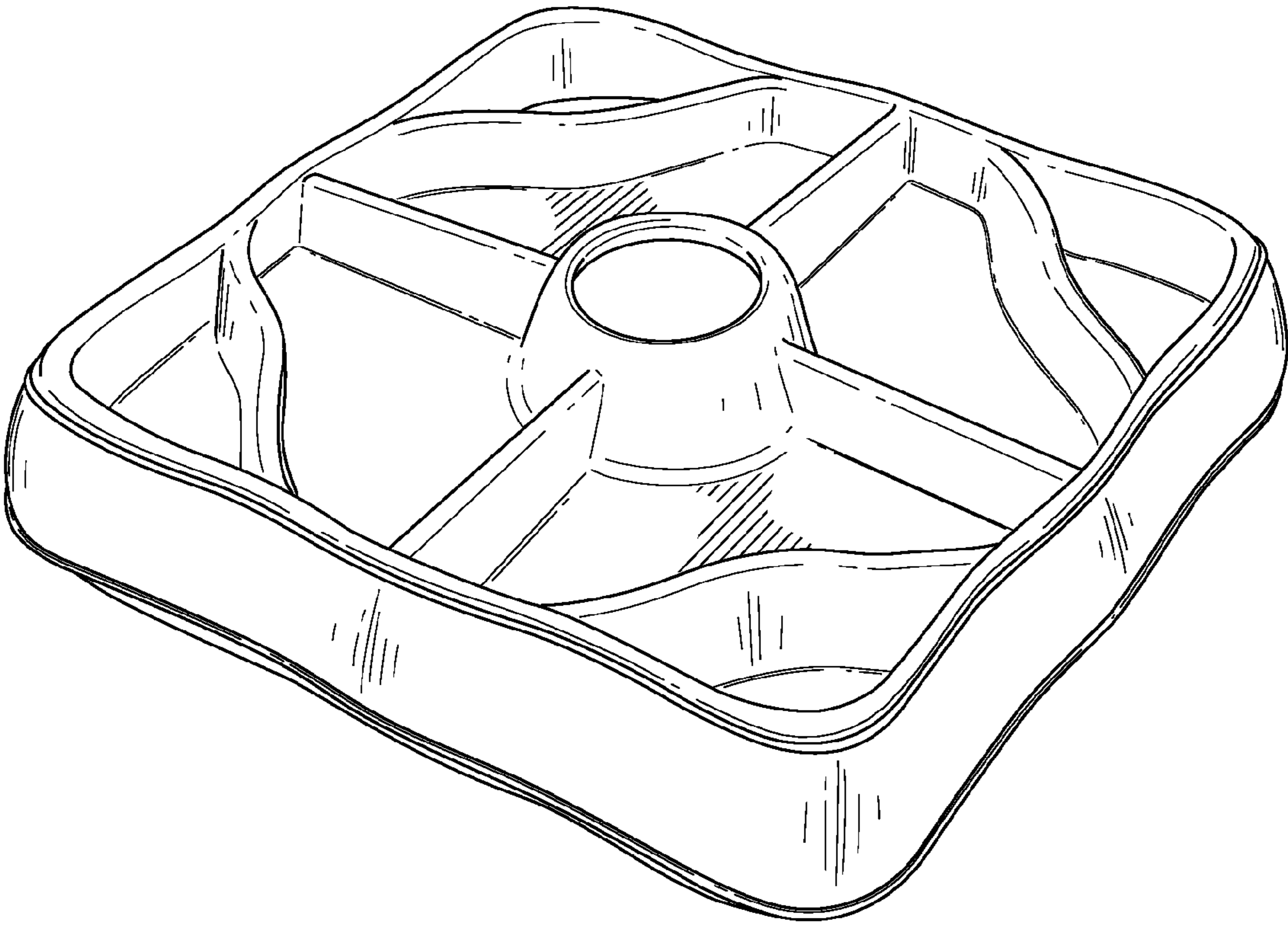


FIG. 7

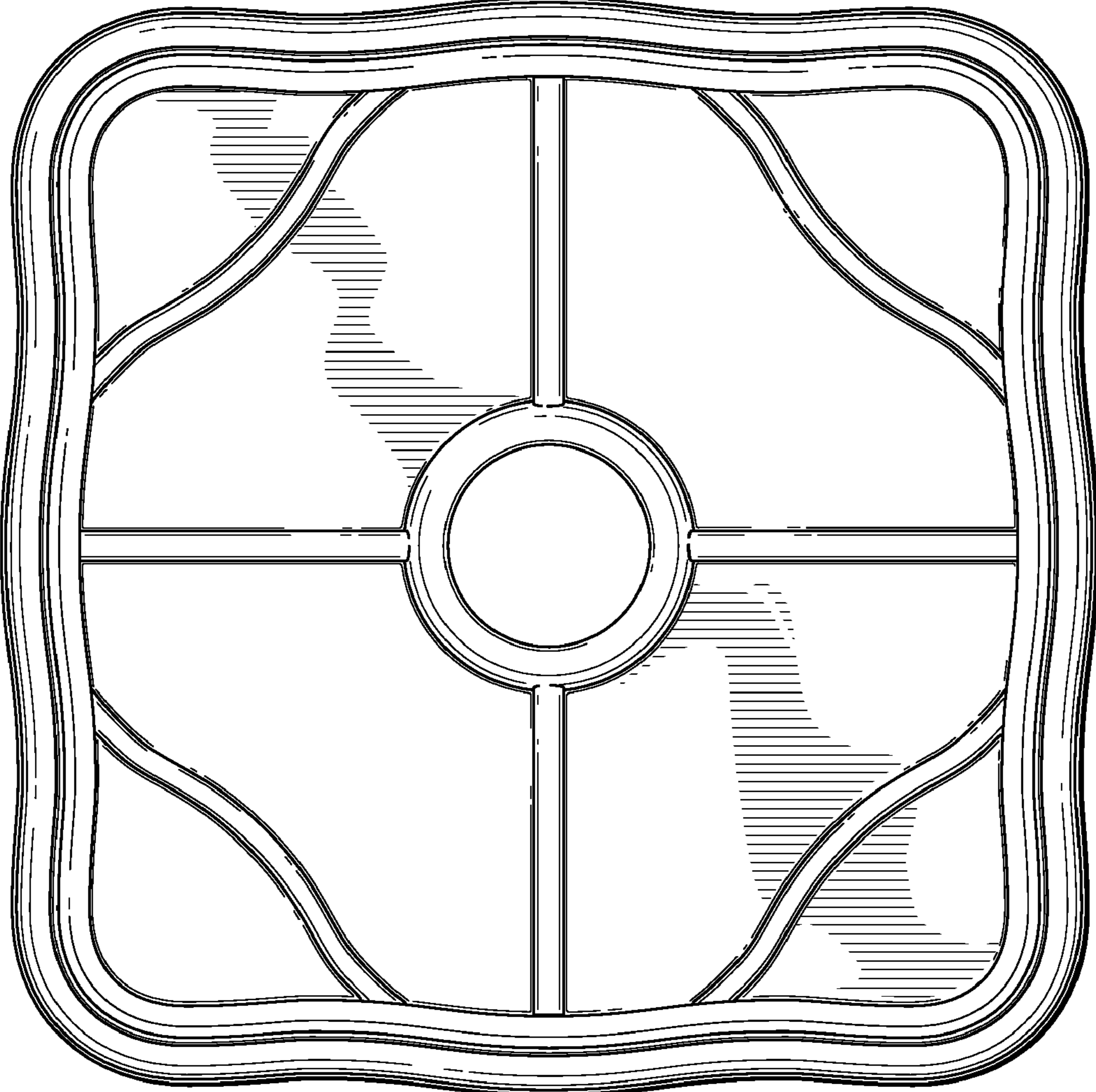


FIG. 8

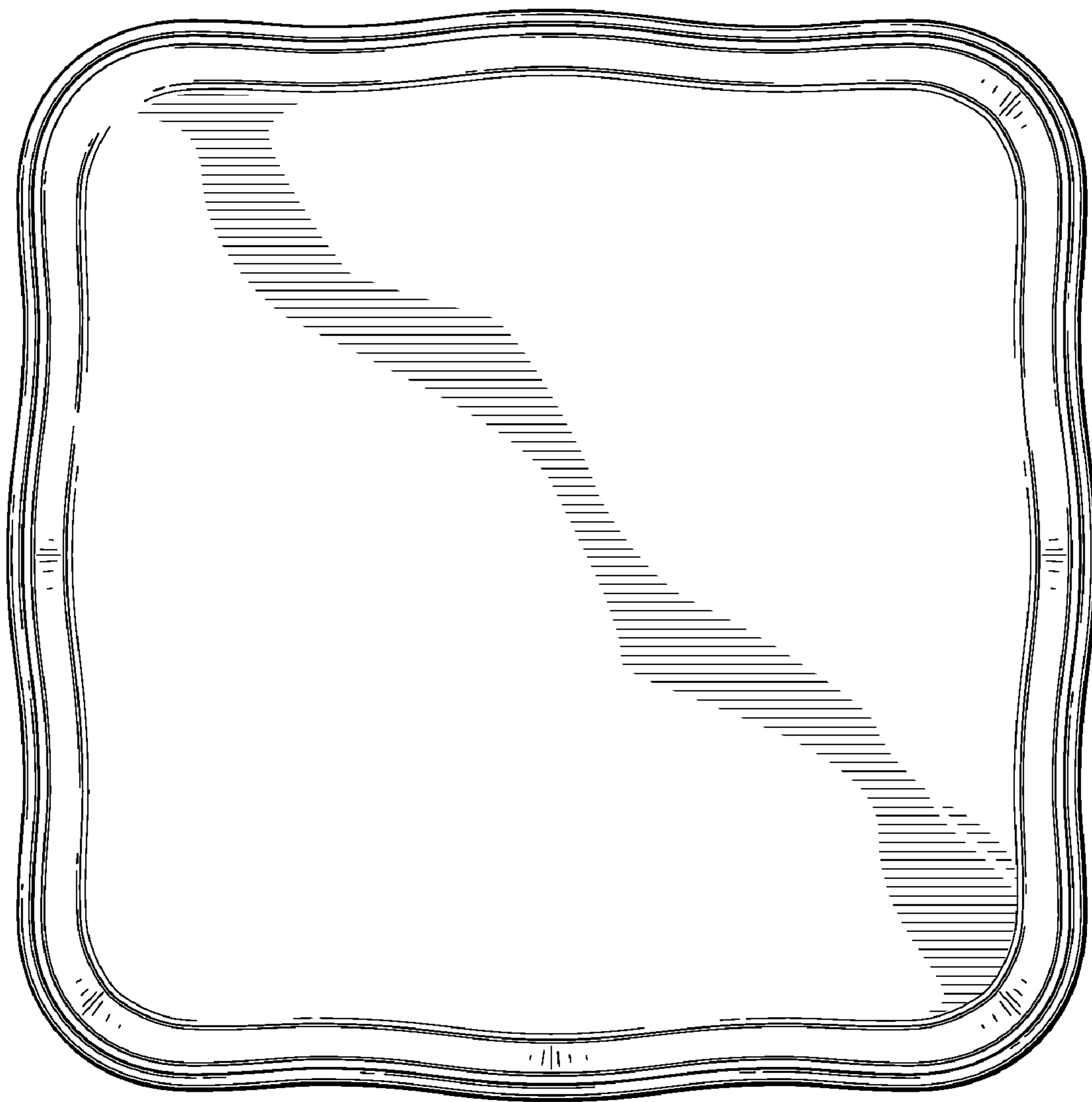


FIG. 9

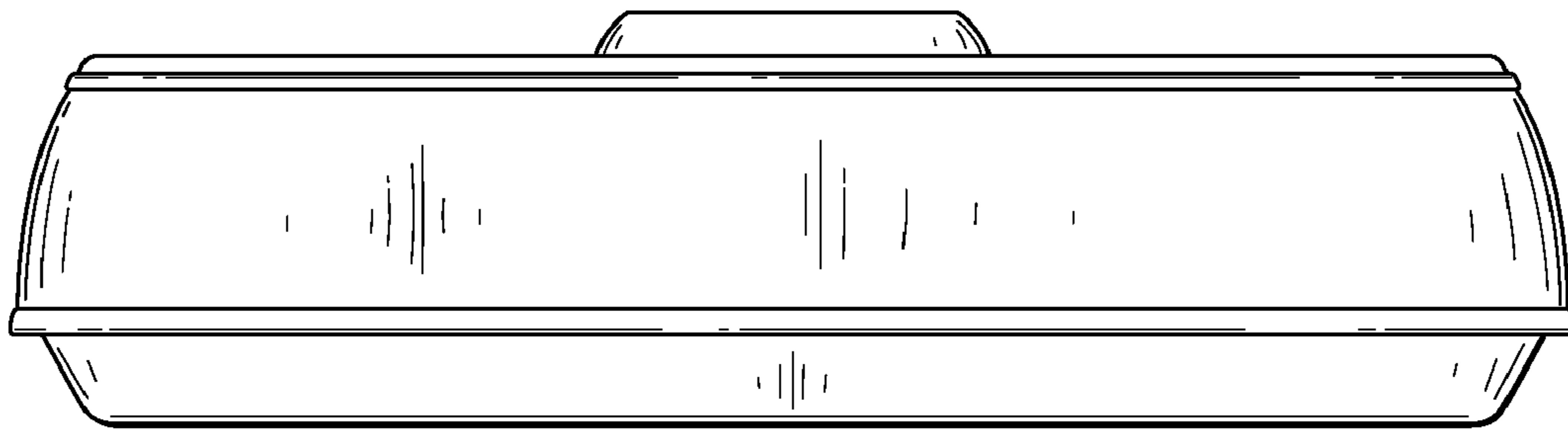


FIG. 10