



US00D600498S

(12) **United States Design Patent**
Ma et al.

(10) **Patent No.:** **US D600,498 S**
(45) **Date of Patent:** **** Sep. 22, 2009**

(54) **RESERVOIR FOR A WATER PITCHER**

(75) Inventors: **Benjamin Ma**, San Ramon, CA (US);
Russell E. Bell, Pleasanton, CA (US);
Anton Lee See, MacGregor (AU);
Allister James Gough, Brisbane (AU);
Reilly David Edwards, Brisbane (AU);
Adam Doyle, Grange (AU); **Ho Pun**
Chung, Causeway Bay (HK); **Frederick**
Ho, Causeway Bay (HK)

(73) Assignee: **The Clorox Company**, Oakland, CA
(US)

(**) Term: **14 Years**

(21) Appl. No.: **29/331,712**

(22) Filed: **Jan. 30, 2009**

(51) **LOC (9) Cl.** **07-01**

(52) **U.S. Cl.** **D7/397; D7/400; D7/401**

(58) **Field of Classification Search** D7/316-319,
D7/397, 398, 399, 400, 387, 300, 312, 401;
D23/209; 210/238, 323, 464, 85
See application file for complete search history.

(56) **References Cited**

U.S. PATENT DOCUMENTS

D152,284 S * 1/1949 Muller-Monk D7/400
D289,726 S * 5/1987 Greutert D7/400
D328,405 S * 8/1992 Heiligenstein et al. D7/400
D415,922 S * 11/1999 Kawasaki et al. D7/317

D437,027 S * 1/2001 Flagler et al. D23/209
D440,110 S * 4/2001 Tanner et al. D7/319
6,497,818 B1 * 12/2002 Bunn 210/238
D513,152 S * 12/2005 Cahen D7/400
D520,597 S * 5/2006 Witte D23/209
D558,516 S * 1/2008 Bulala et al. D7/400
D568,666 S * 5/2008 Souloglou D7/317
D573,394 S * 7/2008 Tullney et al. D7/317

* cited by examiner

Primary Examiner—Marianne Pandozzi

(74) *Attorney, Agent, or Firm*—Thomas C. Feix

(57) **CLAIM**

The ornamental design for a reservoir for a water pitcher, as shown.

DESCRIPTION

FIG. 1 is a left front perspective view of a reservoir for a water pitcher of the present invention;

FIG. 2 is a left side view thereof;

FIG. 3 is a right side view thereof;

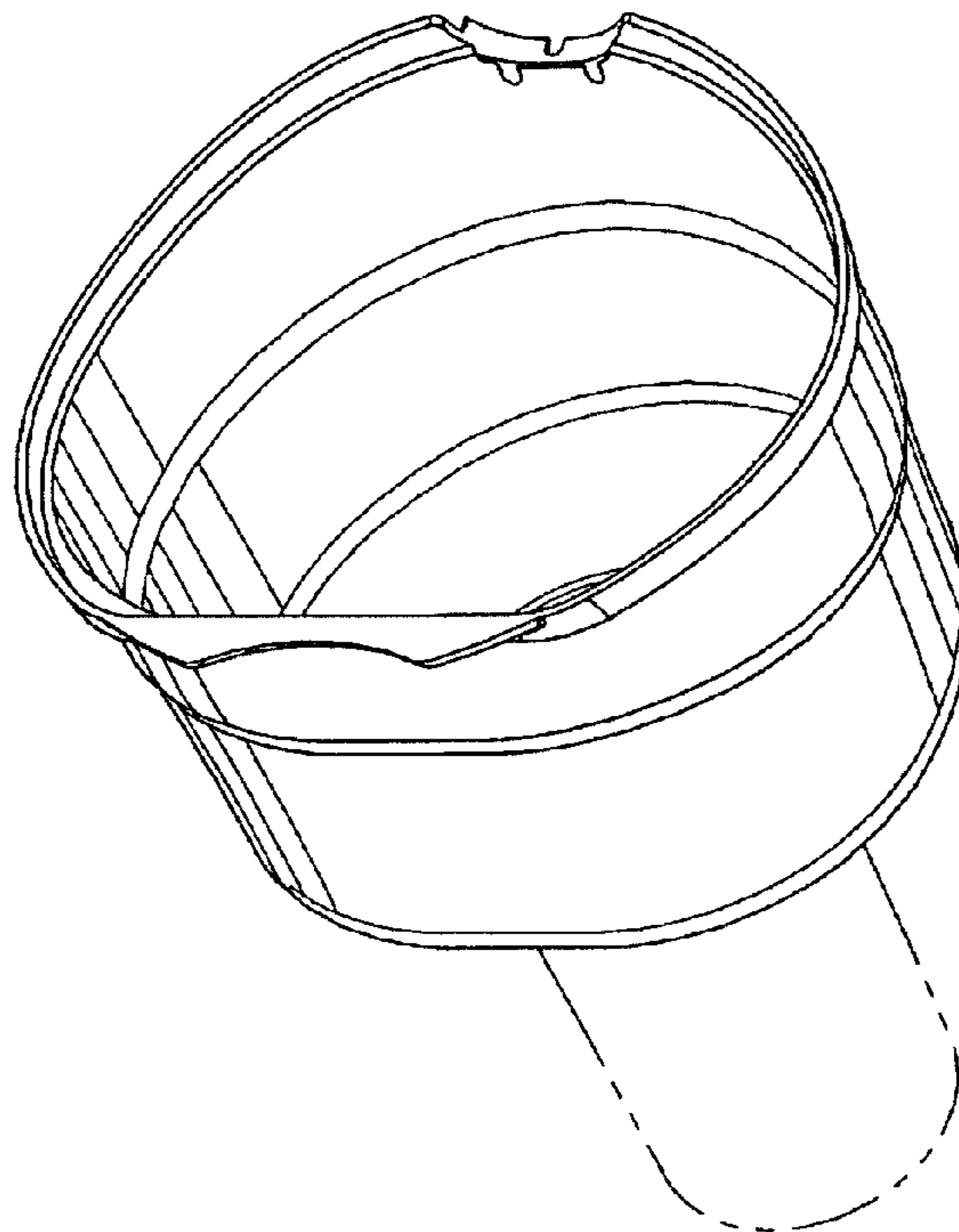
FIG. 4 is a front view thereof;

FIG. 5 is a rear view thereof;

FIG. 6 is a top view thereof; and,

FIG. 7 is bottom view thereof. The broken lines in the drawings are included for the purpose of illustration and form no part of the claimed design.

1 Claim, 4 Drawing Sheets



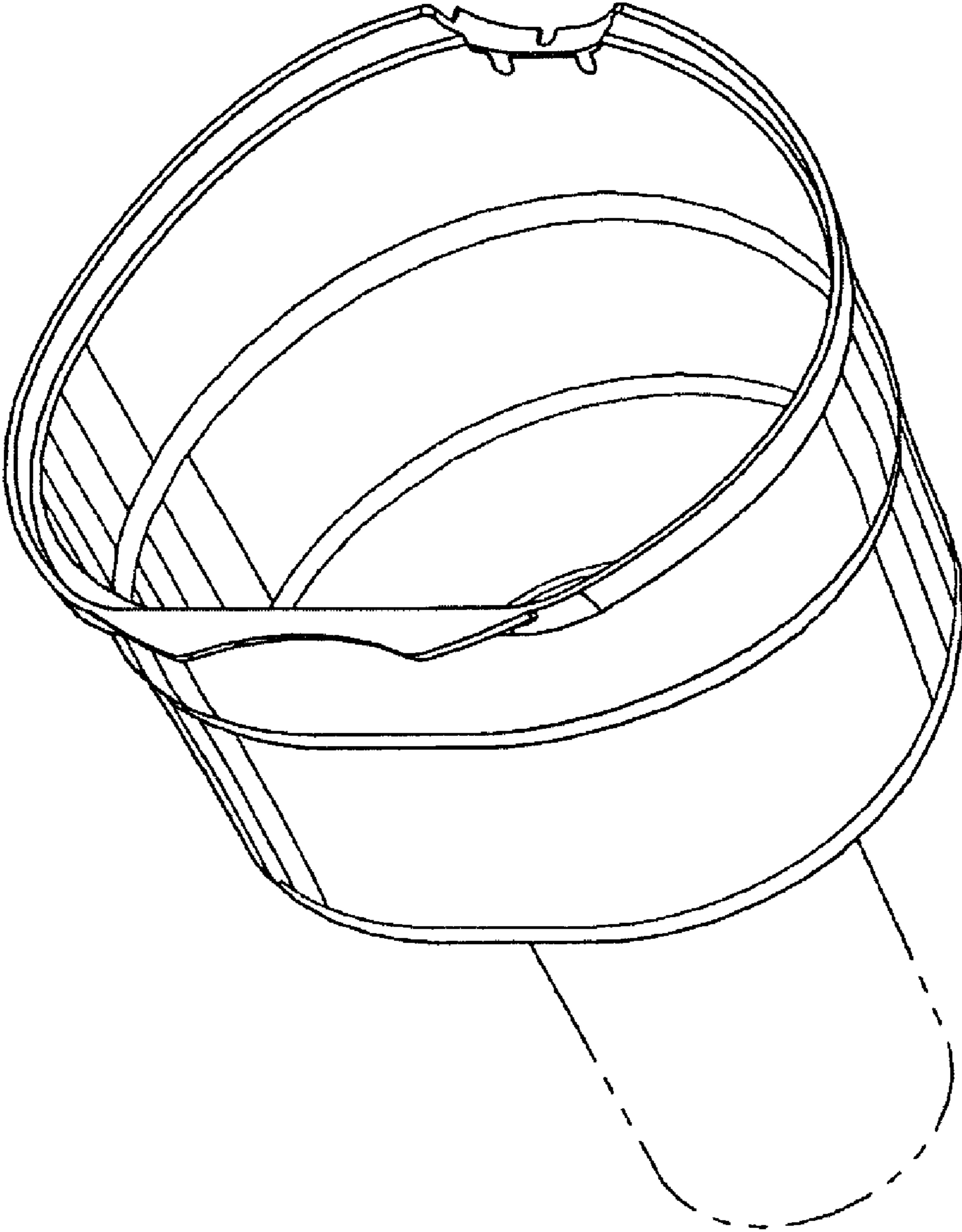


FIG. 1

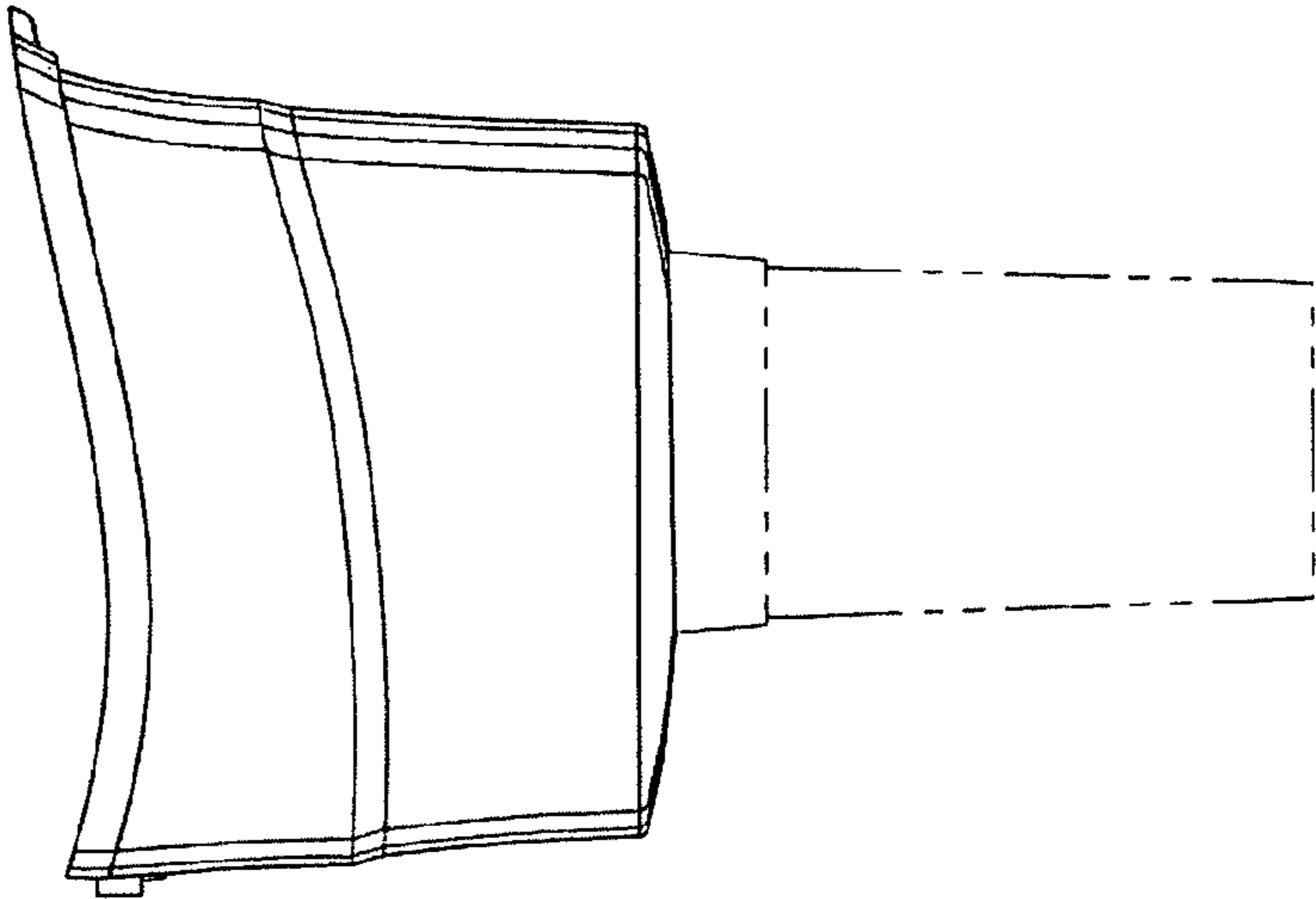


FIG. 3

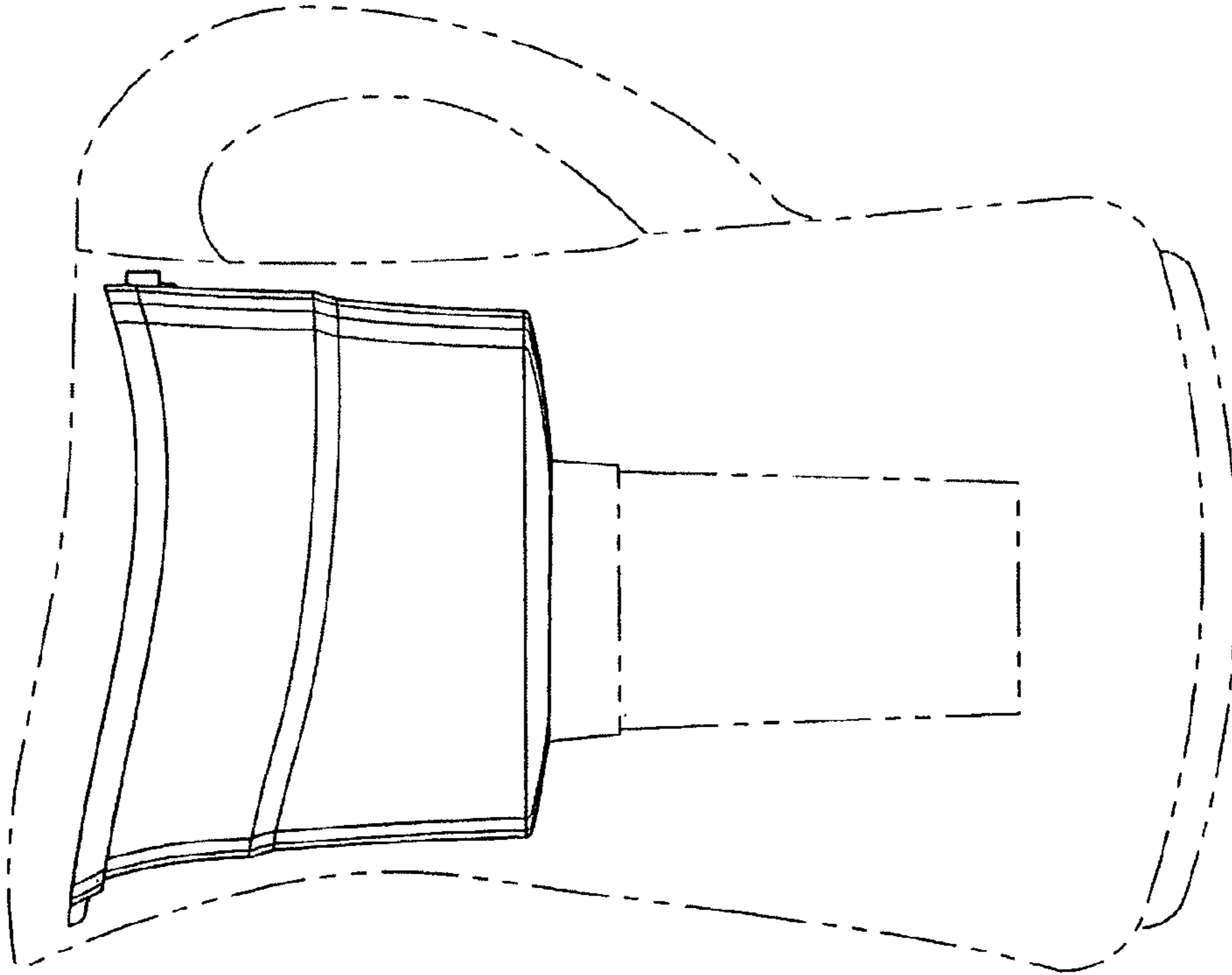


FIG. 2

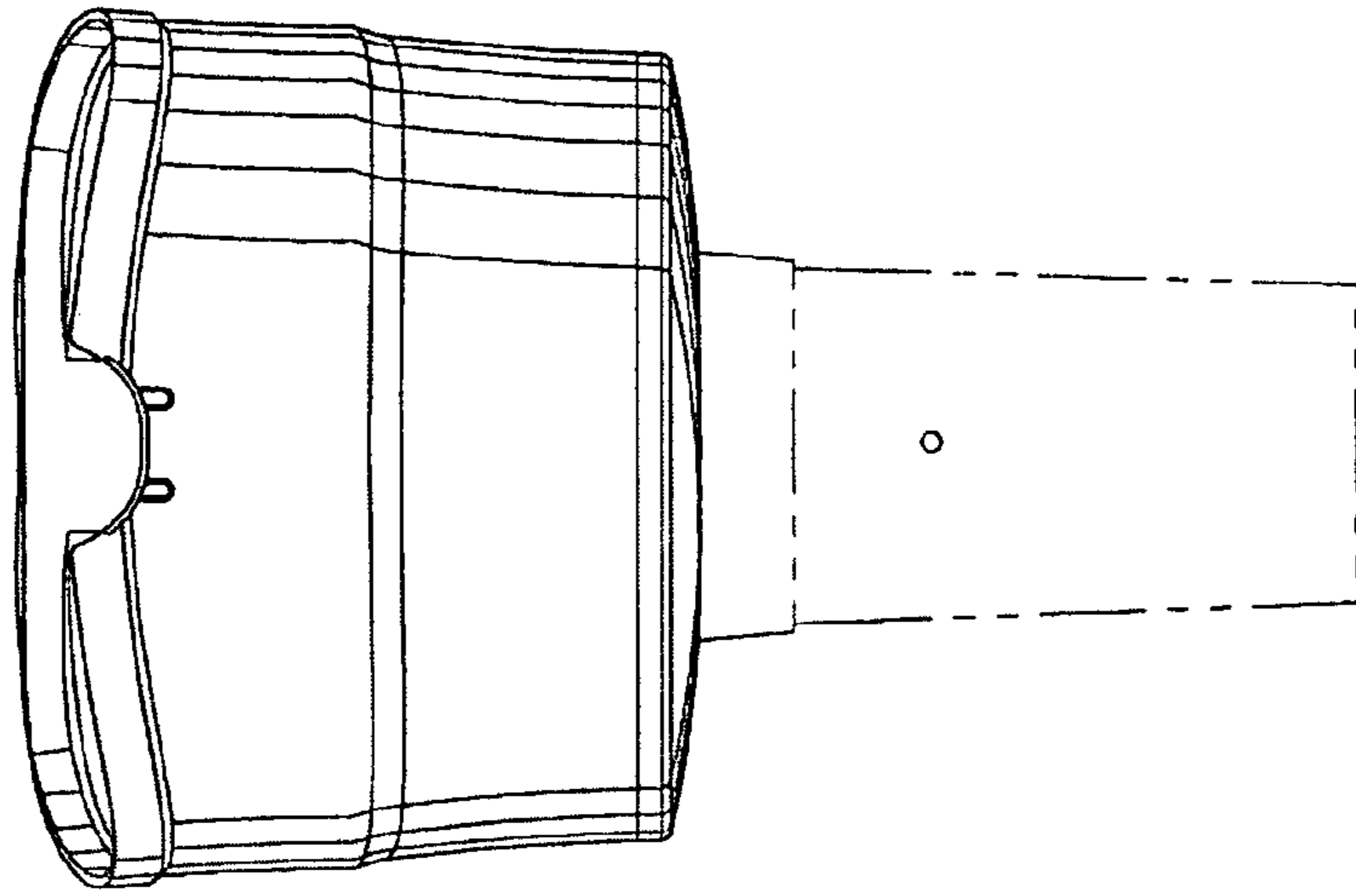


FIG. 4

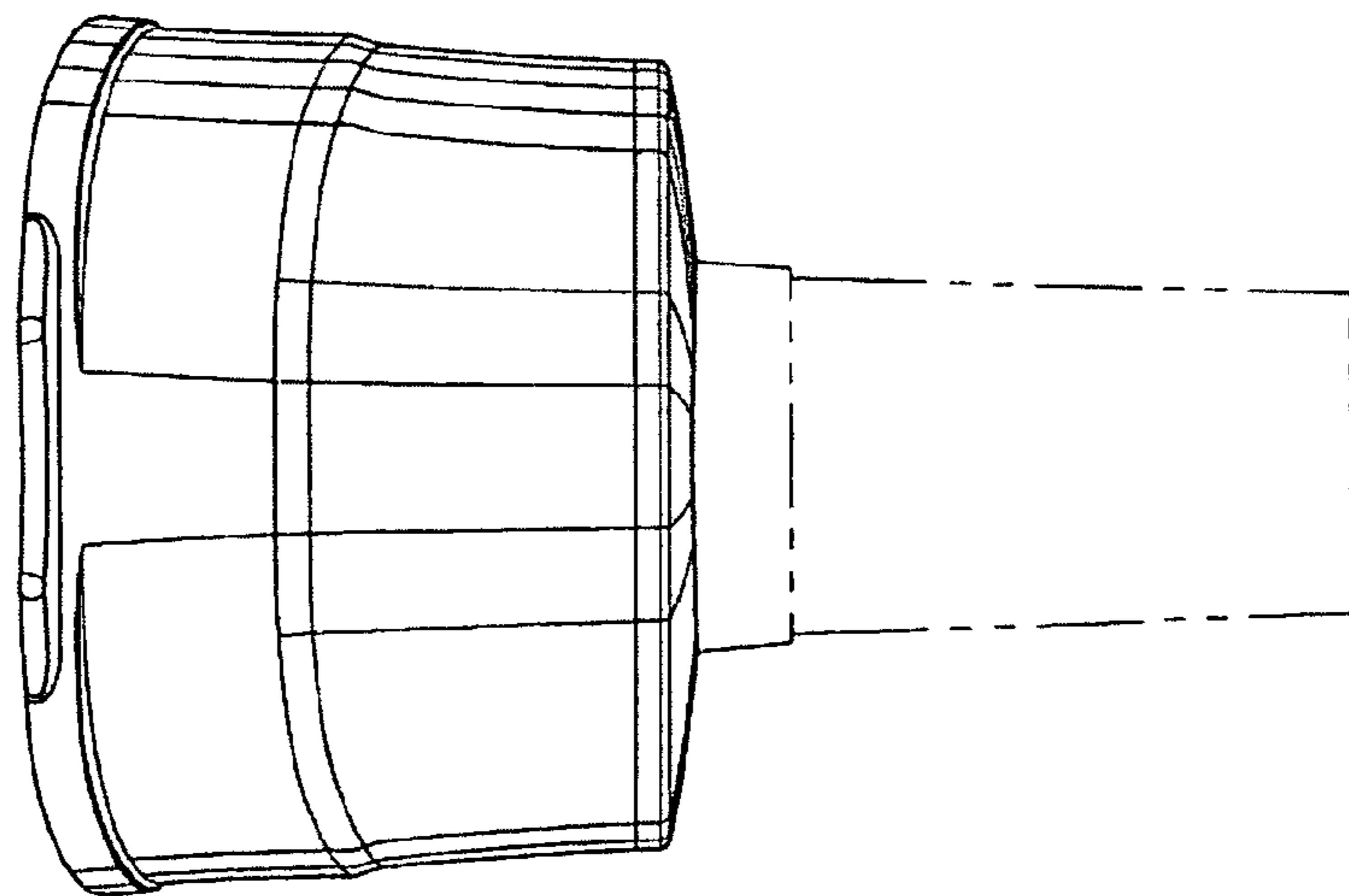


FIG. 5

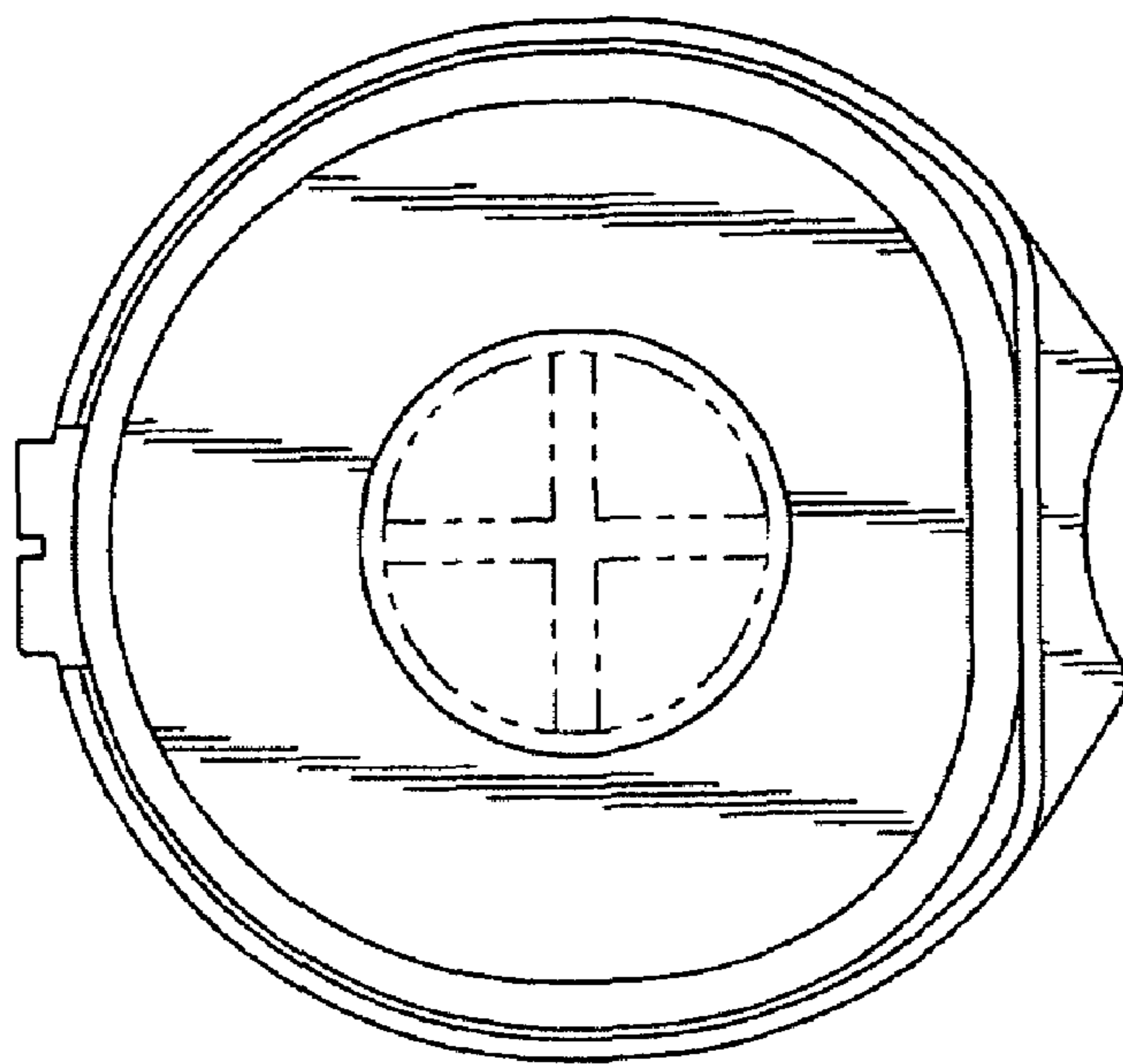


FIG. 6

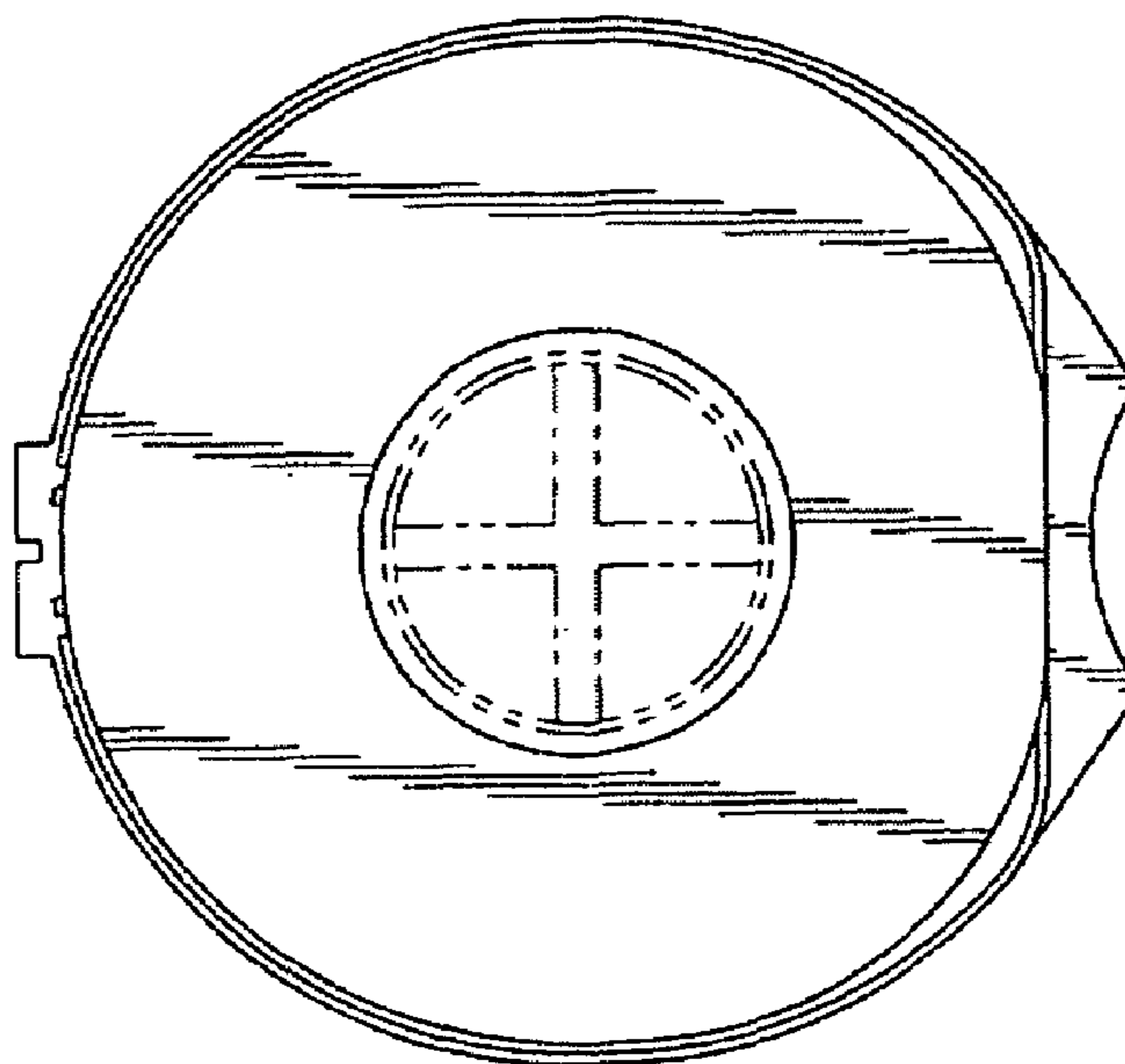


FIG. 7