



US00D600497S

(12) **United States Design Patent**  
**Ek**

(10) **Patent No.:** **US D600,497 S**

(45) **Date of Patent:** **\*\* Sep. 22, 2009**

(54) **SAUCEPAN**

(75) Inventor: **Peter Ek**, Jarfalla (SE)

(73) Assignee: **OBH Nordica Holding A/S**, Taastrup (DK)

(\*\*) Term: **14 Years**

(21) Appl. No.: **29/311,203**

(22) Filed: **Jan. 15, 2009**

2,867,352 A *	1/1959	Kawano	.....	220/366.1
3,710,709 A *	1/1973	Roncarelli	.....	99/324
4,310,418 A	1/1982	Busbey		
D327,609 S	7/1992	Carlson		
D330,863 S	11/1992	Green		
5,388,732 A	2/1995	Greger		
5,653,881 A	8/1997	Bruss et al.		
D386,940 S	12/1997	Hess		
5,730,045 A	3/1998	Delaquis et al.		
D420,848 S *	2/2000	Neidigh	.....	D7/360
D455,315 S *	4/2002	Cheng	.....	D7/354
D455,599 S	4/2002	Cheng		
6,419,107 B1	7/2002	Cheng		
D587,062 S *	2/2009	Ek	.....	D7/354

**Related U.S. Application Data**

(62) Division of application No. 29/300,757, filed on May 6, 2008, now Pat. No. Des. 587,062.

**Foreign Application Priority Data**

Nov. 8, 2007	(EM)	.....	000822879-001
Nov. 8, 2007	(EM)	.....	000822879-002
Nov. 8, 2007	(EM)	.....	000822879-003

(51) **LOC (9) Cl.** ..... **07-02**

(52) **U.S. Cl.** ..... **D7/361**

(58) **Field of Classification Search** ..... D7/323,  
D7/354-361, 365, 378-379, 383-384, 391-396.1,  
D7/402, 542-543, 545, 560, 584-588, 667;  
99/324, 340, 337, 422, 425, 445; 219/620-621,  
219/725-730; 220/366.1, 573.1-574, 769,  
220/912; 222/189.07, 545, 572  
See application file for complete search history.

(56) **References Cited**

**U.S. PATENT DOCUMENTS**

757,281 A *	4/1904	De Sacht	.....	222/189.07
1,733,450 A *	10/1929	Detwiler	.....	99/340
1,970,723 A *	8/1934	Wolfe	.....	220/573.2
2,185,897 A	1/1940	Krause		
2,303,841 A	12/1942	Kircher		
2,561,806 A	7/1951	Emile		
D172,839 S	8/1954	Olswang		

**OTHER PUBLICATIONS**

EK, U.S. Appl. No. 29/300,757, filed May 6, 2008.

\* cited by examiner

*Primary Examiner*—Caron Veynar

*Assistant Examiner*—Ricky Pham

(74) *Attorney, Agent, or Firm*—Nixon & Vanderhye P.C.

(57) **CLAIM**

The ornamental design for a saucepan, as shown and described.

**DESCRIPTION**

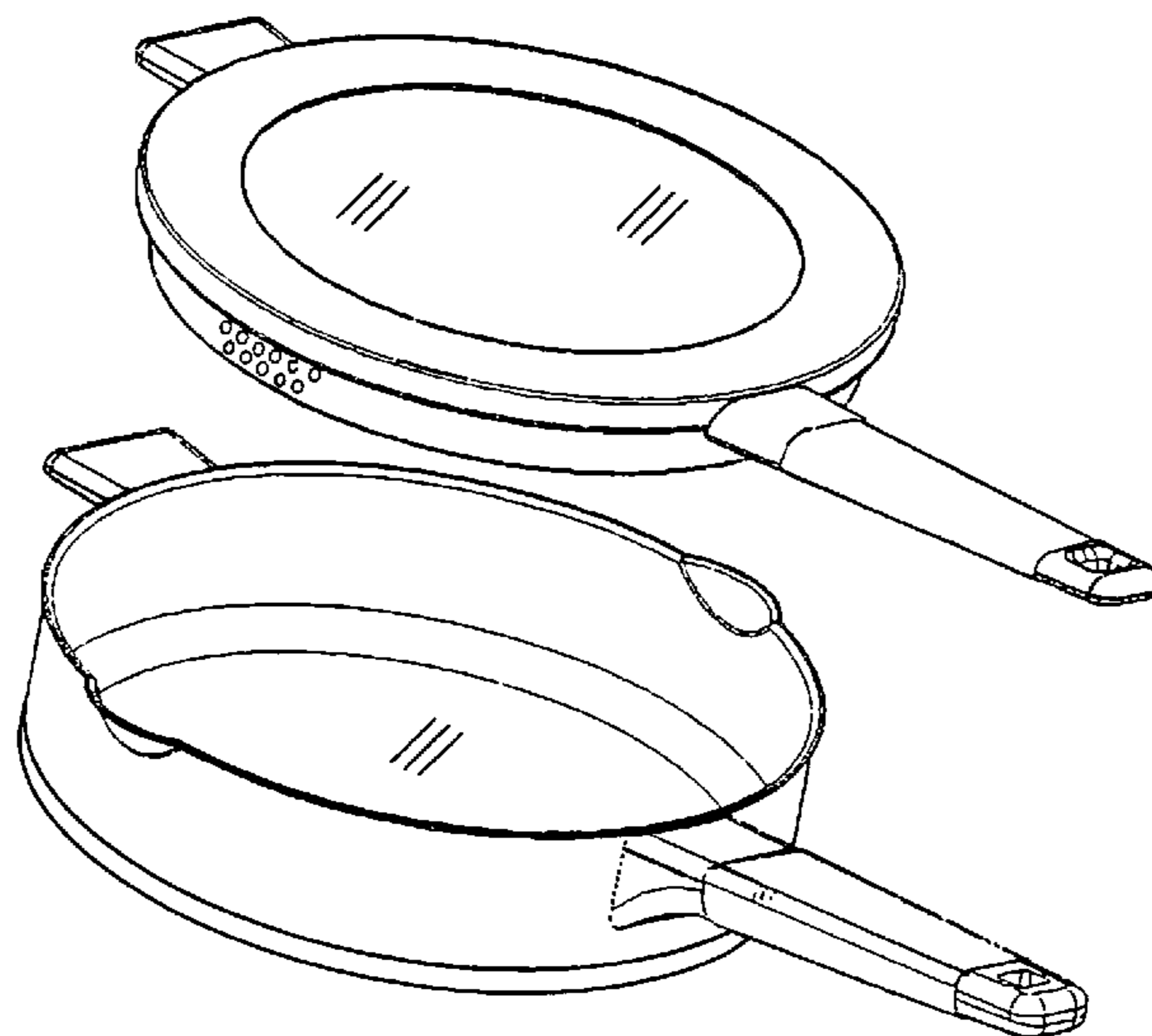
FIG. 1 is a front view of a saucepan according to my design; FIG. 2 is a left side view thereof, with the right side view being a mirror image thereof;

FIG. 3 is a bottom view thereof;

FIG. 4 is an exploded bottom perspective view thereof; shown with the pan and the lid being separated for ease of illustration; and,

FIG. 5 is an exploded top perspective view thereof, shown with the pan and the lid being separated for ease of illustration.

**1 Claim, 3 Drawing Sheets**



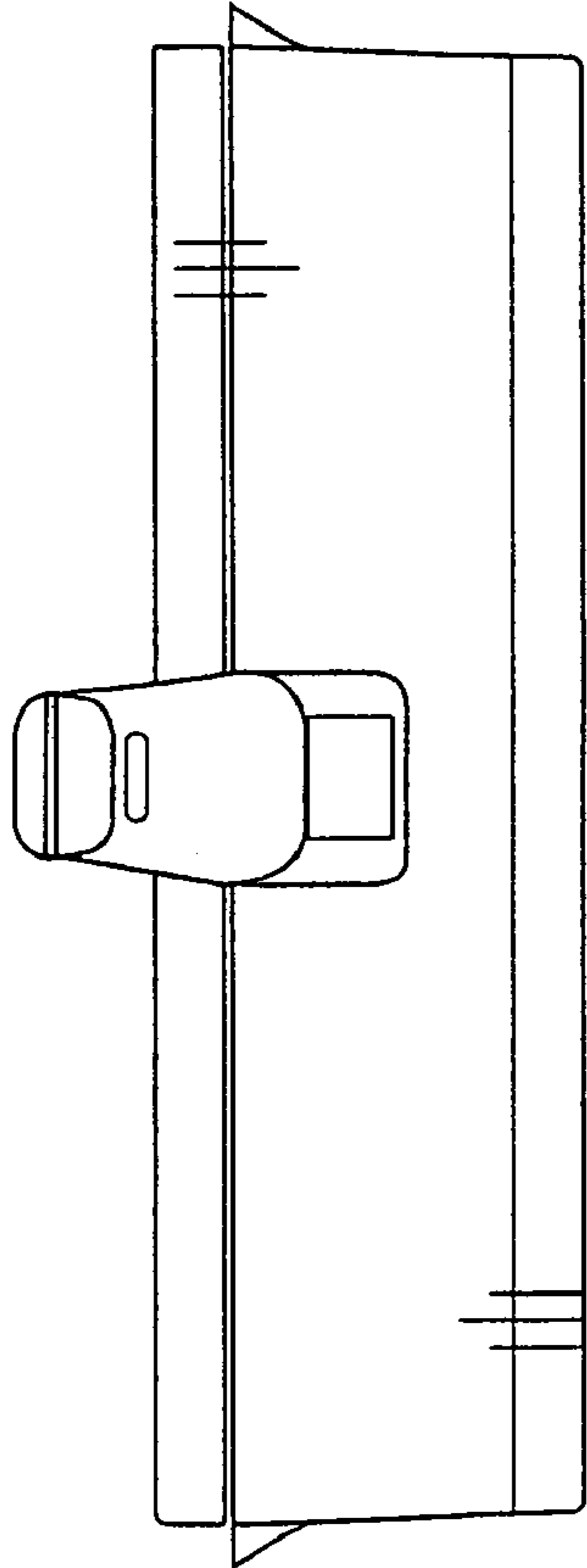


FIG. 1

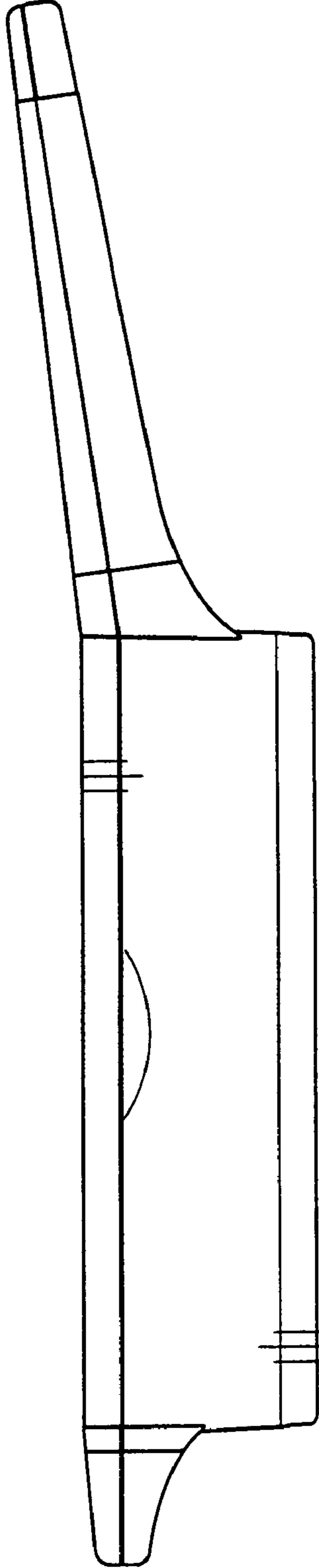


FIG. 2

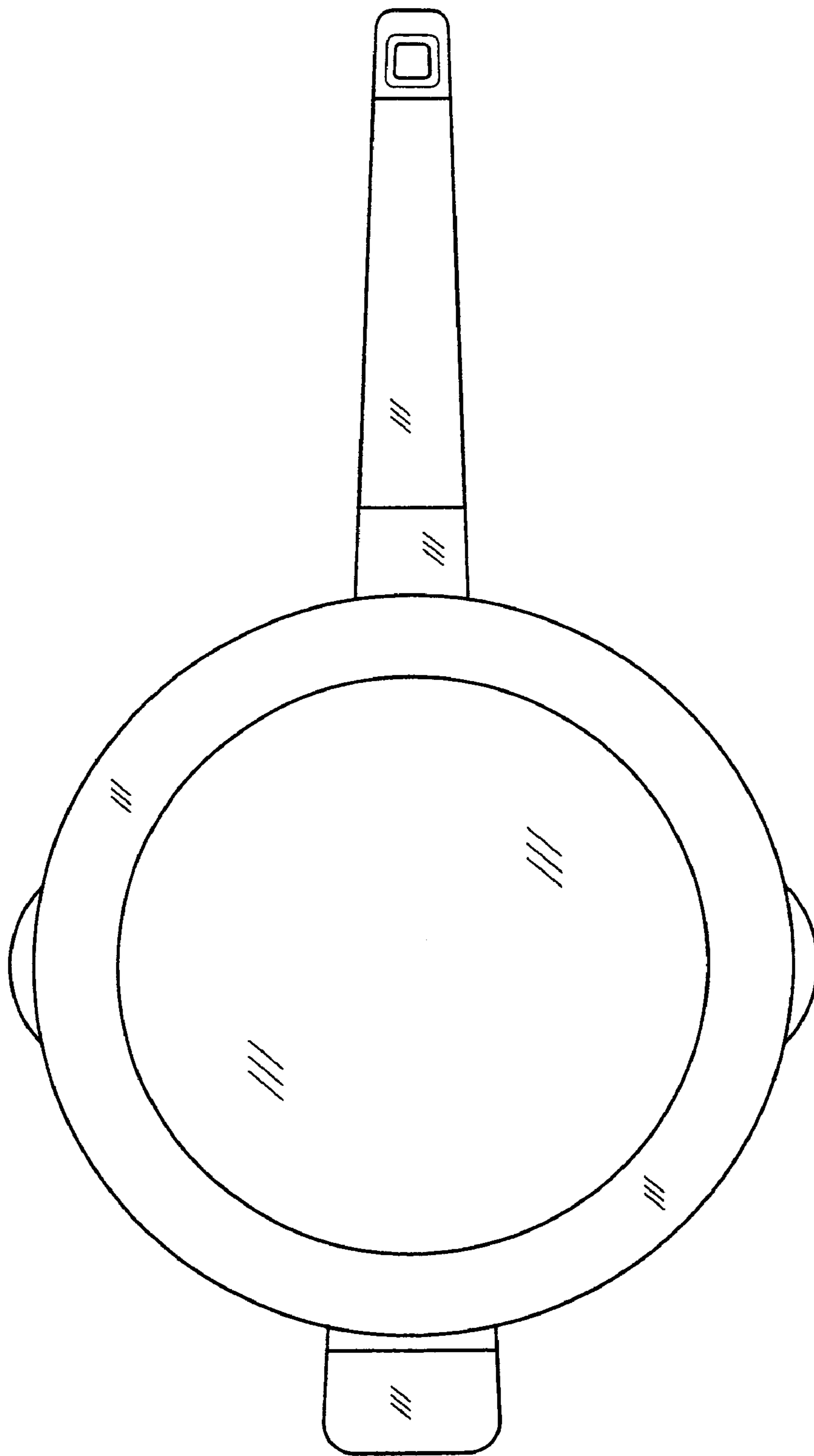


FIG. 3

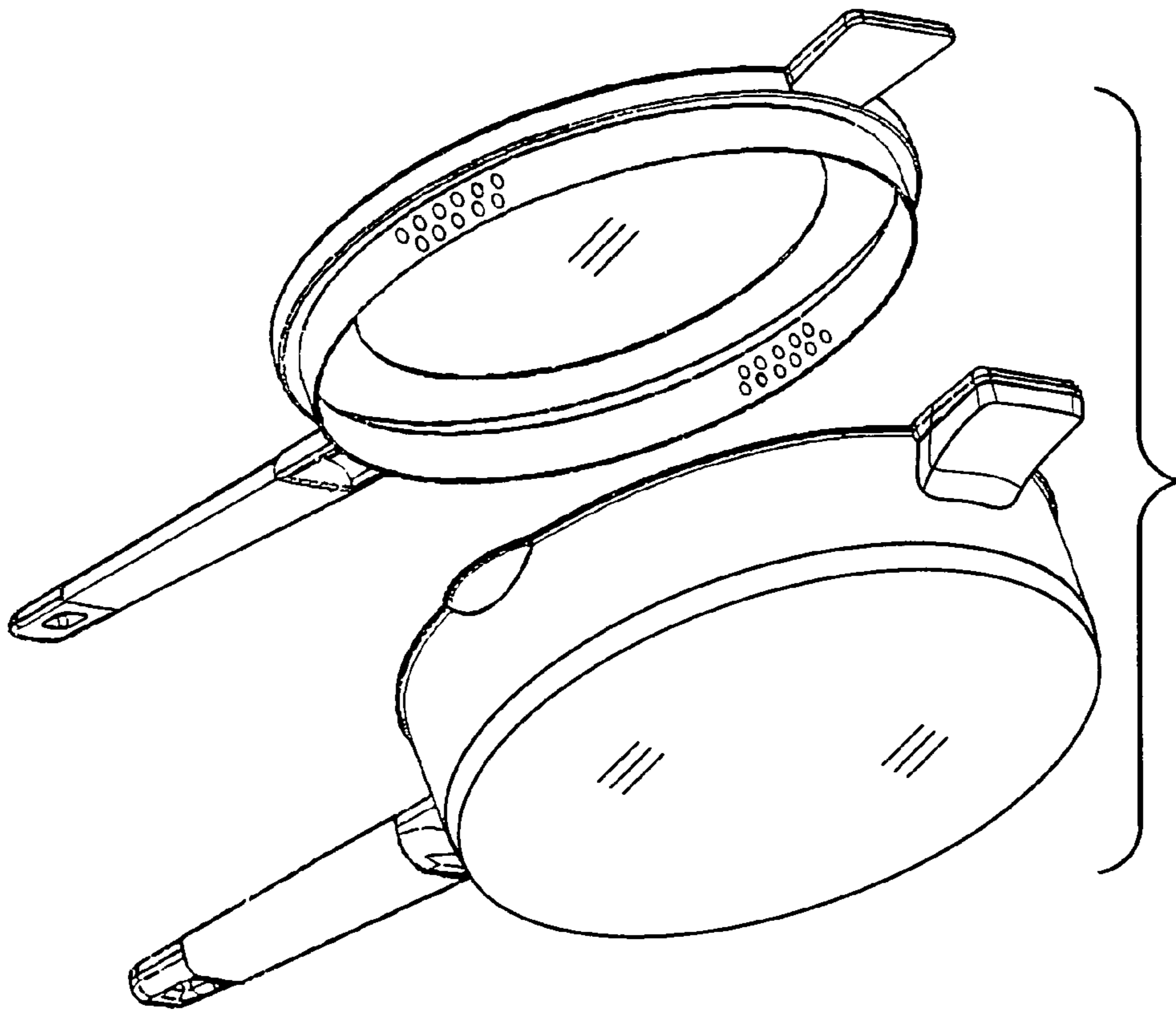


FIG. 4

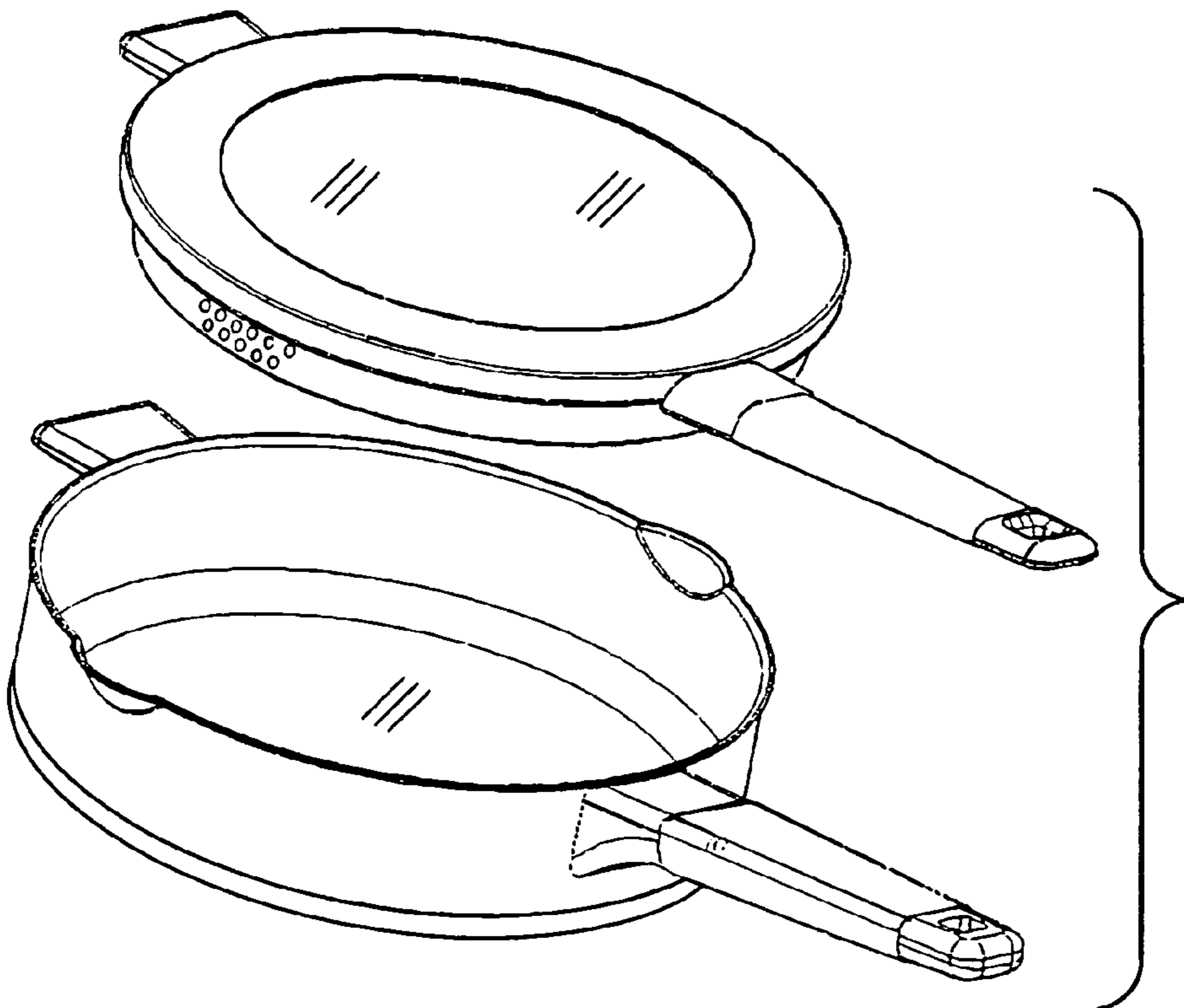


FIG. 5