



US00D600494S

(12) **United States Design Patent**
Chung

(10) **Patent No.:** **US D600,494 S**

(45) **Date of Patent:** **** Sep. 22, 2009**

(54) **BARBECUE GRILL**

(76) Inventor: **Kiosky Chung**, No.72, Chaoguei Rd.,
Situn District, Taichung City 407 (TW)

(**) Term: **14 Years**

(21) Appl. No.: **29/329,453**

(22) Filed: **Dec. 15, 2008**

(51) **LOC (9) Cl.** **15-05**

(52) **U.S. Cl.** **D7/337**

(58) **Field of Classification Search** D7/332,
D7/334-337, 402-406; 126/25 R, 29-30,
126/25 A, 25 AA, 9 R, 9 B, 38, 37 R, 37 B,
126/40, 50, 43, 44, 45; 99/481-482, 445,
99/450

See application file for complete search history.

(56) **References Cited**

U.S. PATENT DOCUMENTS

D464,844 S	*	10/2002	Pai	D7/337
D473,415 S	*	4/2003	Yeh	D7/337
D498,113 S	*	11/2004	Zhang	D7/332
D499,299 S	*	12/2004	Zhang	D7/337
D511,433 S	*	11/2005	Zhang	D7/337

D515,863 S * 2/2006 Chung D7/337

D549,036 S * 8/2007 Chung D7/337

D549,038 S * 8/2007 Chung D7/337

D573,399 S * 7/2008 Chung D7/337

* cited by examiner

Primary Examiner—Ruth McInroy

(74) *Attorney, Agent, or Firm*—Banger Shia

(57) **CLAIM**

I claim the ornamental design for a barbecue grill, as shown and described.

DESCRIPTION

FIG. 1 is a perspective view of a barbecue grill, showing my new design;

FIG. 2 is a front elevational view thereof;

FIG. 3 is a rear elevational view thereof;

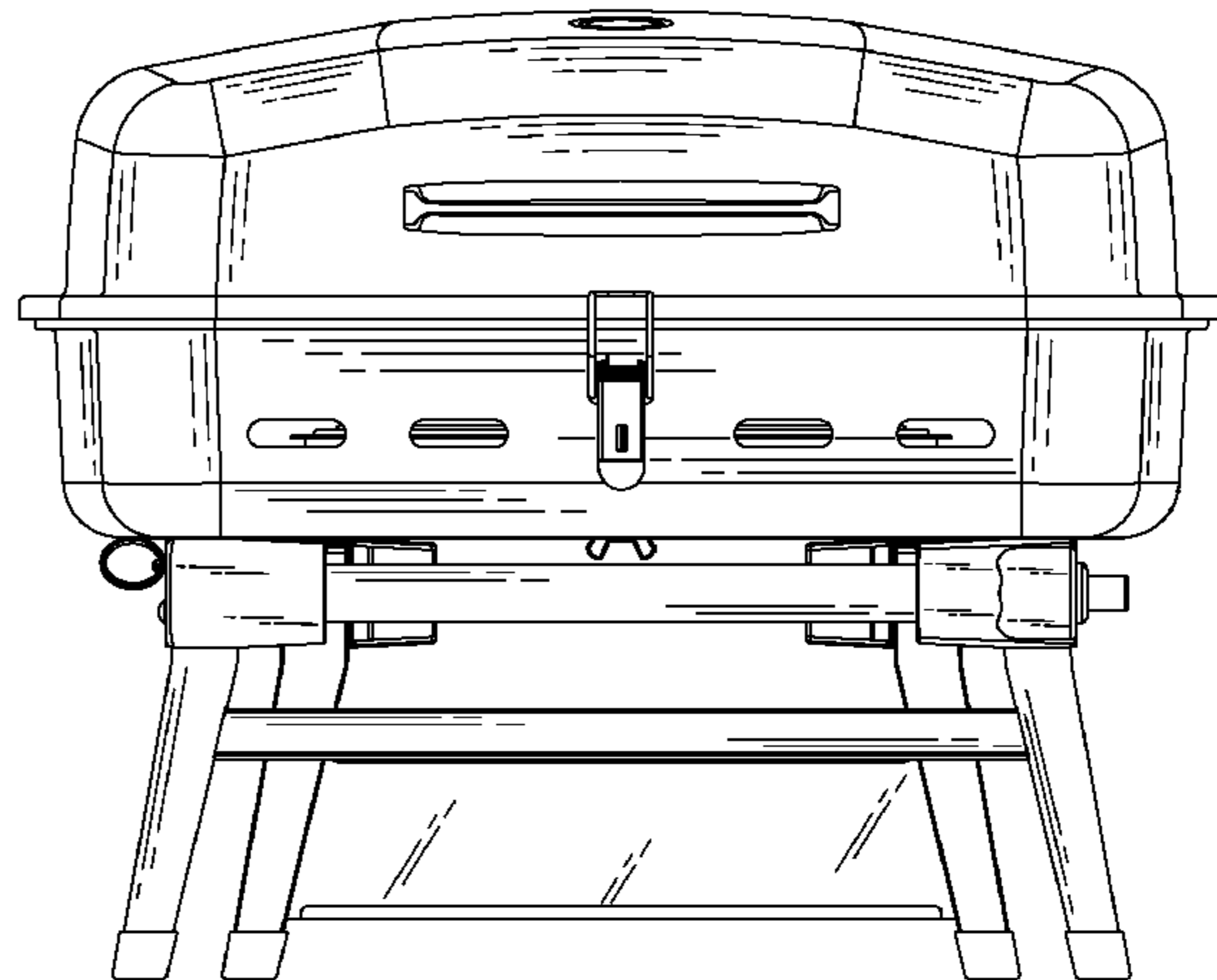
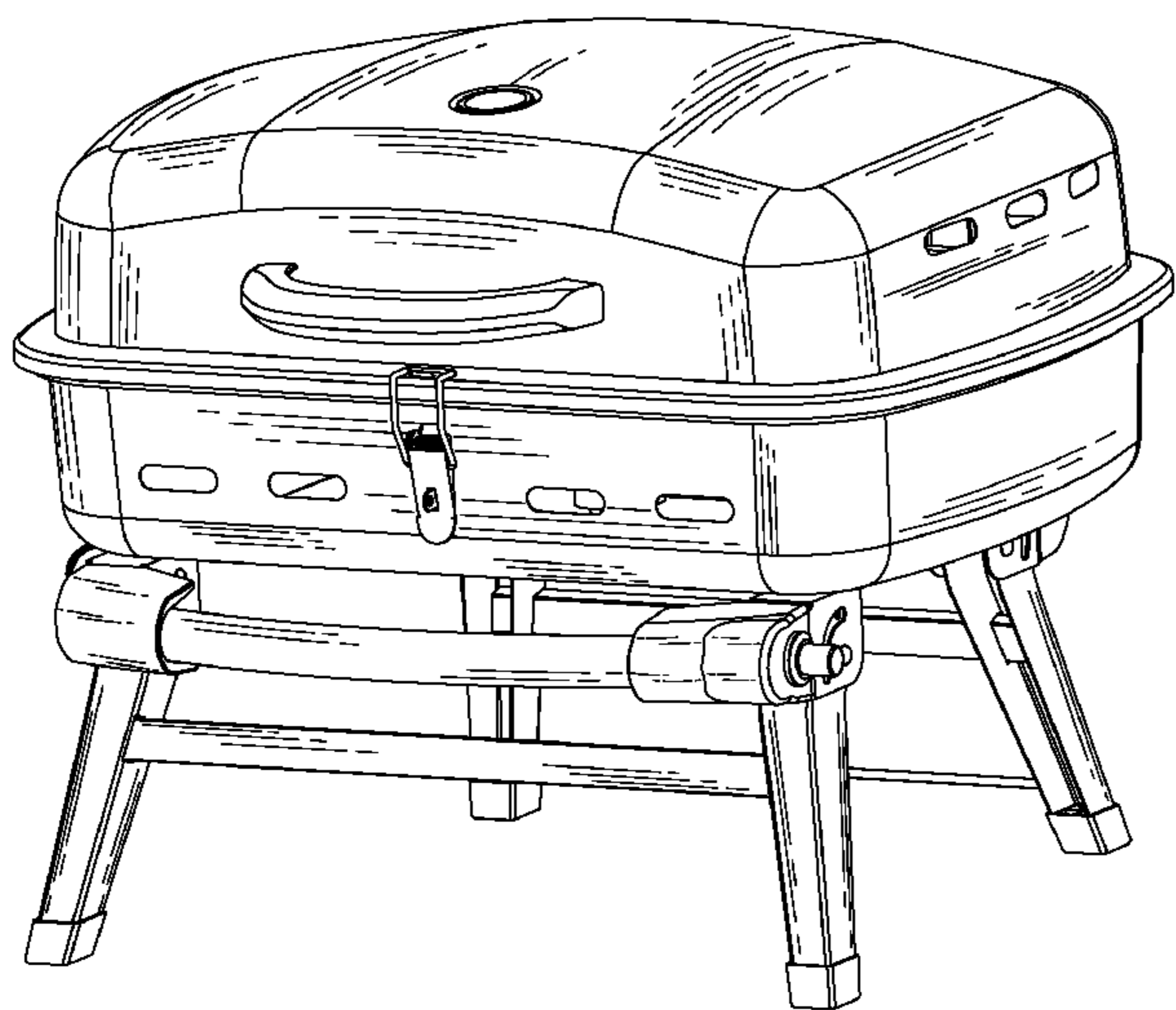
FIG. 4 is a left side elevational view thereof;

FIG. 5 is a right side elevational view thereof;

FIG. 6 is a top plan view thereof; and,

FIG. 7 is a bottom plan view thereof.

1 Claim, 7 Drawing Sheets



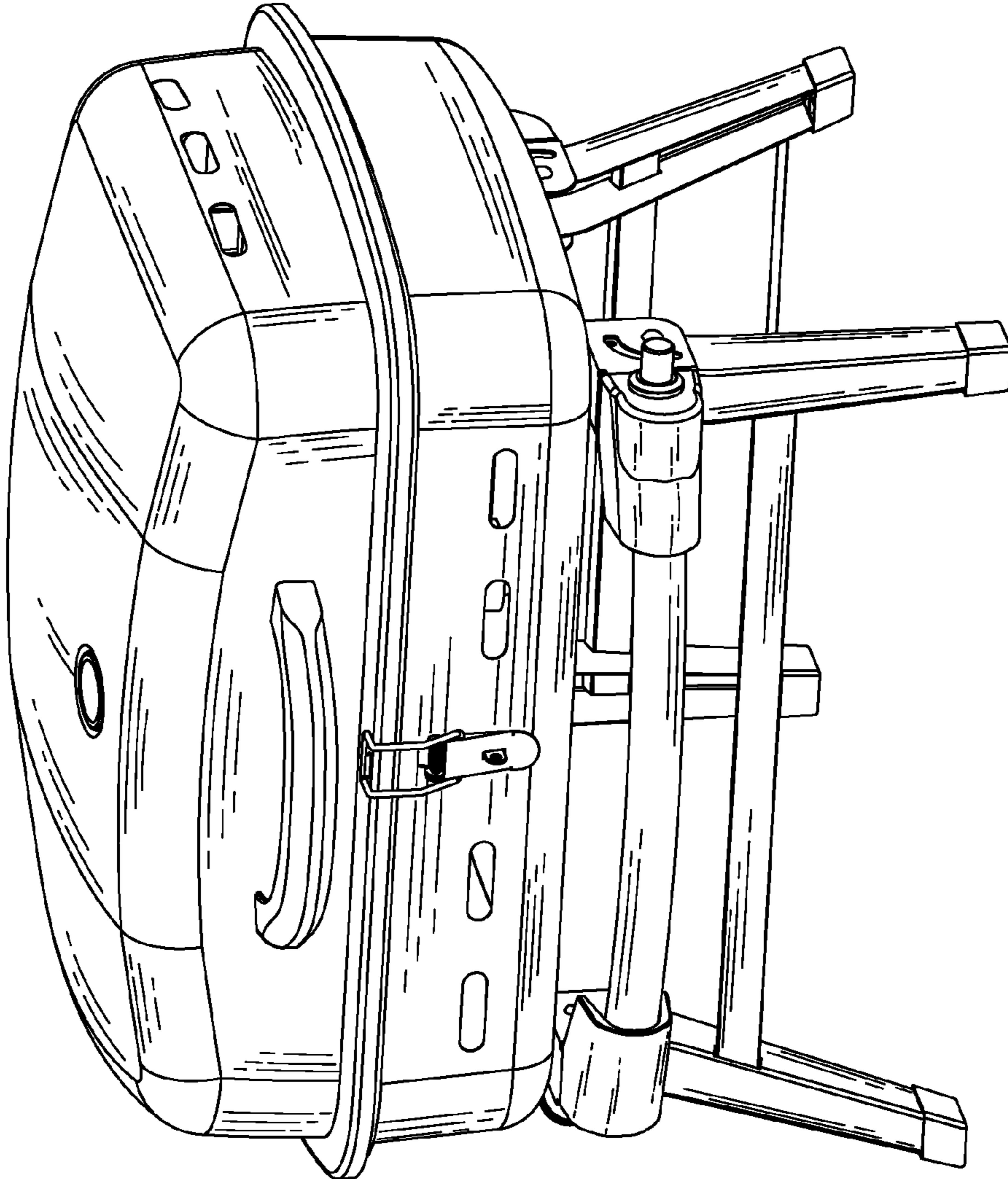


FIG. 1

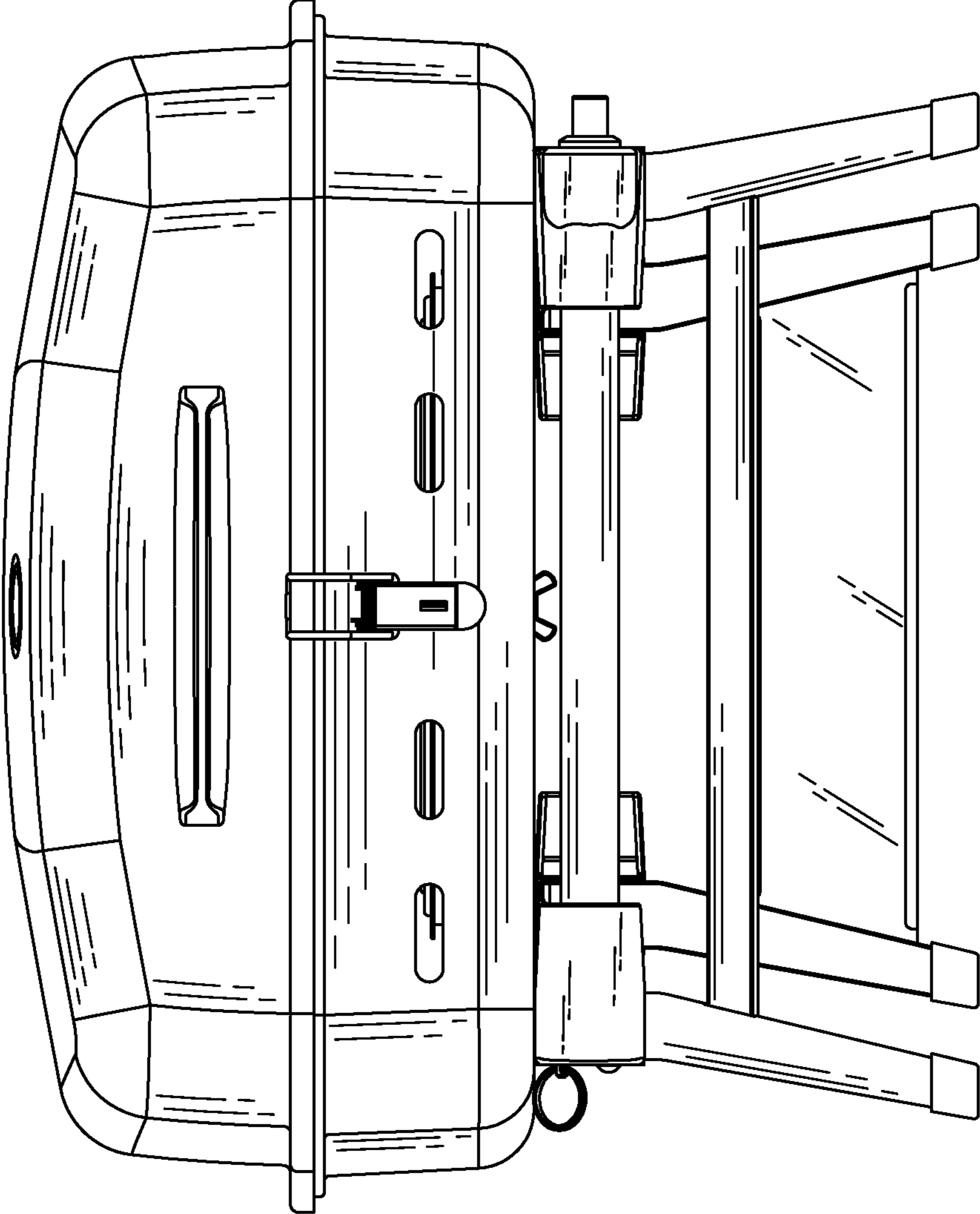


FIG. 2

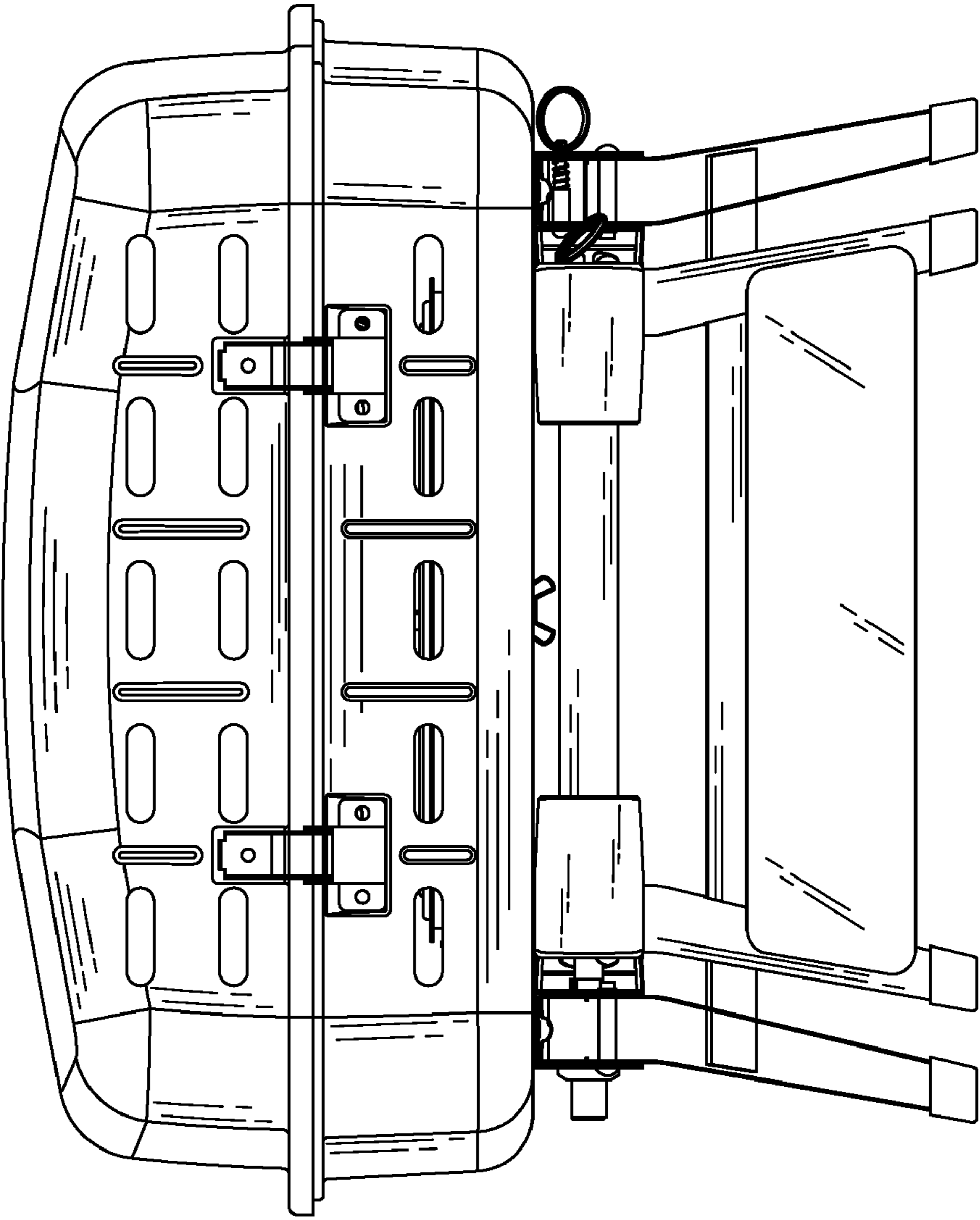


FIG. 3

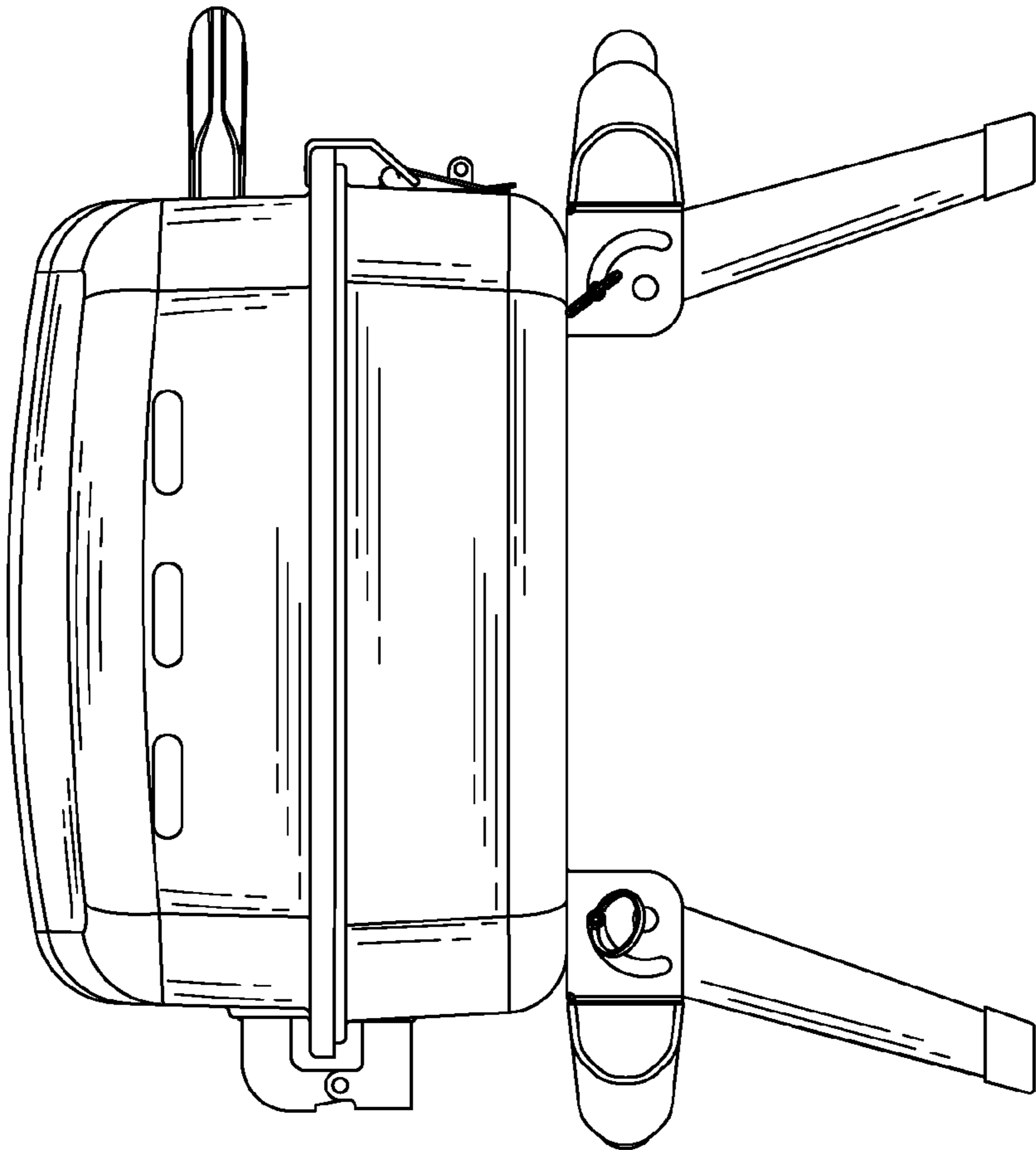


FIG. 4

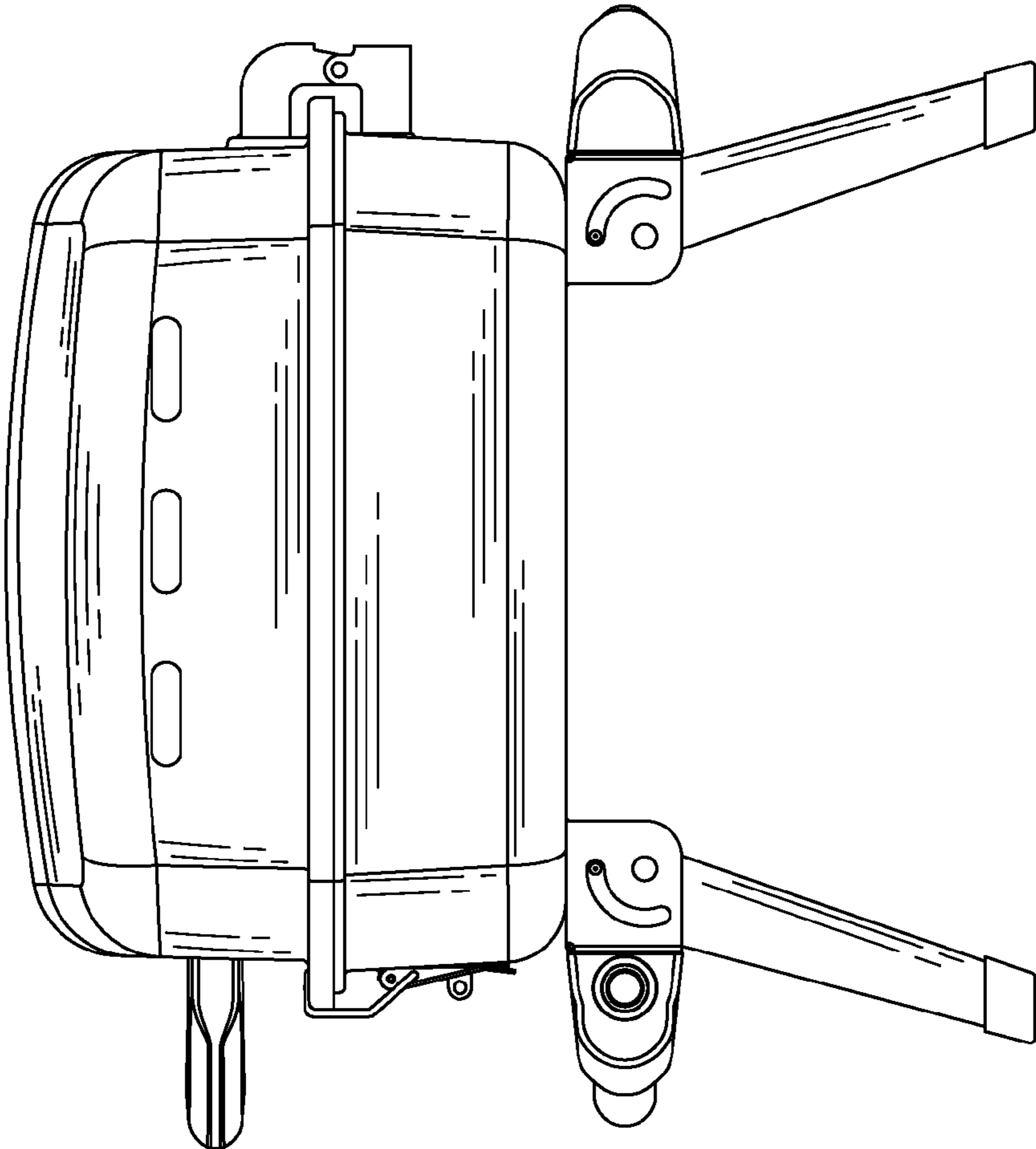


FIG. 5

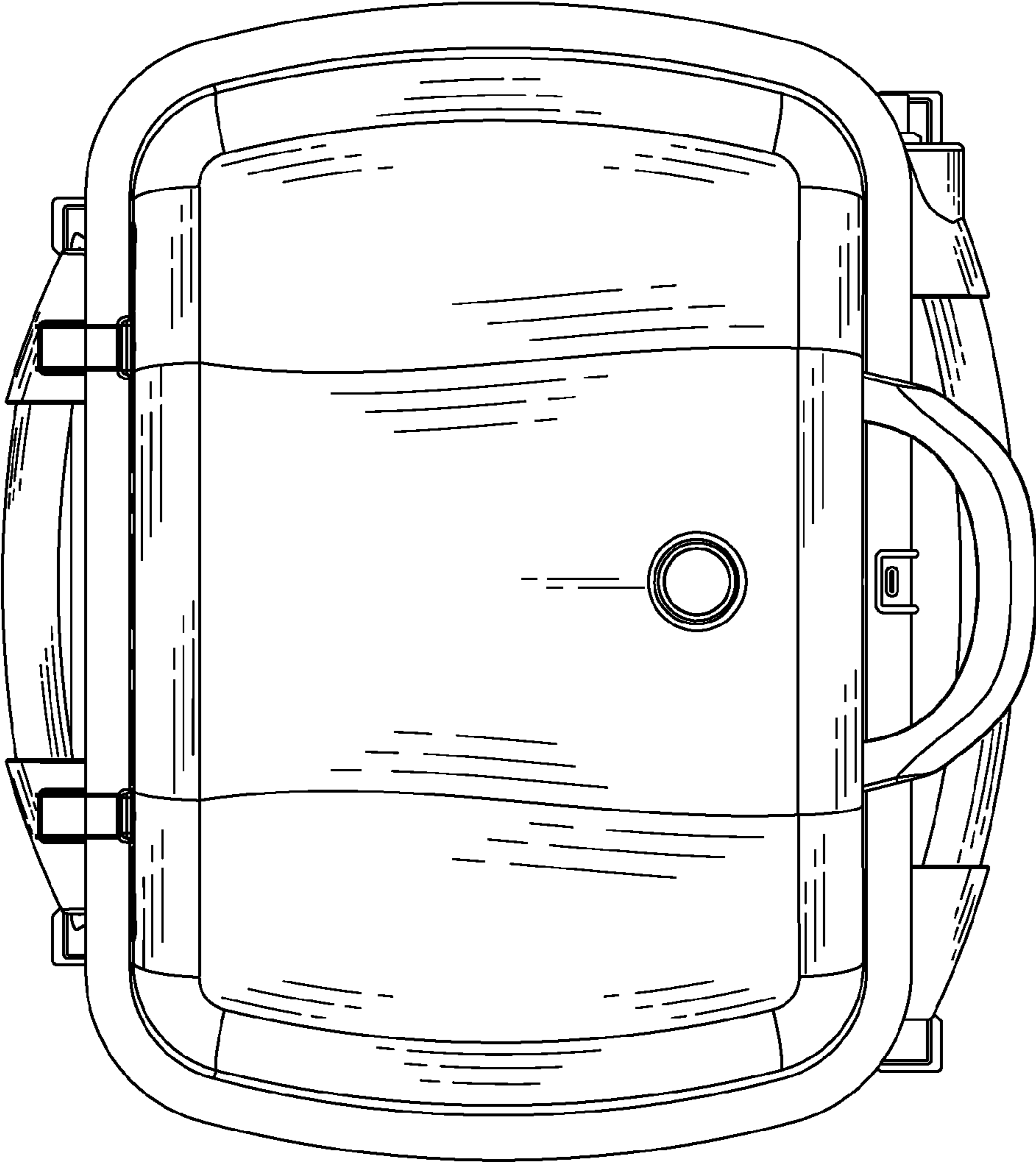


FIG. 6

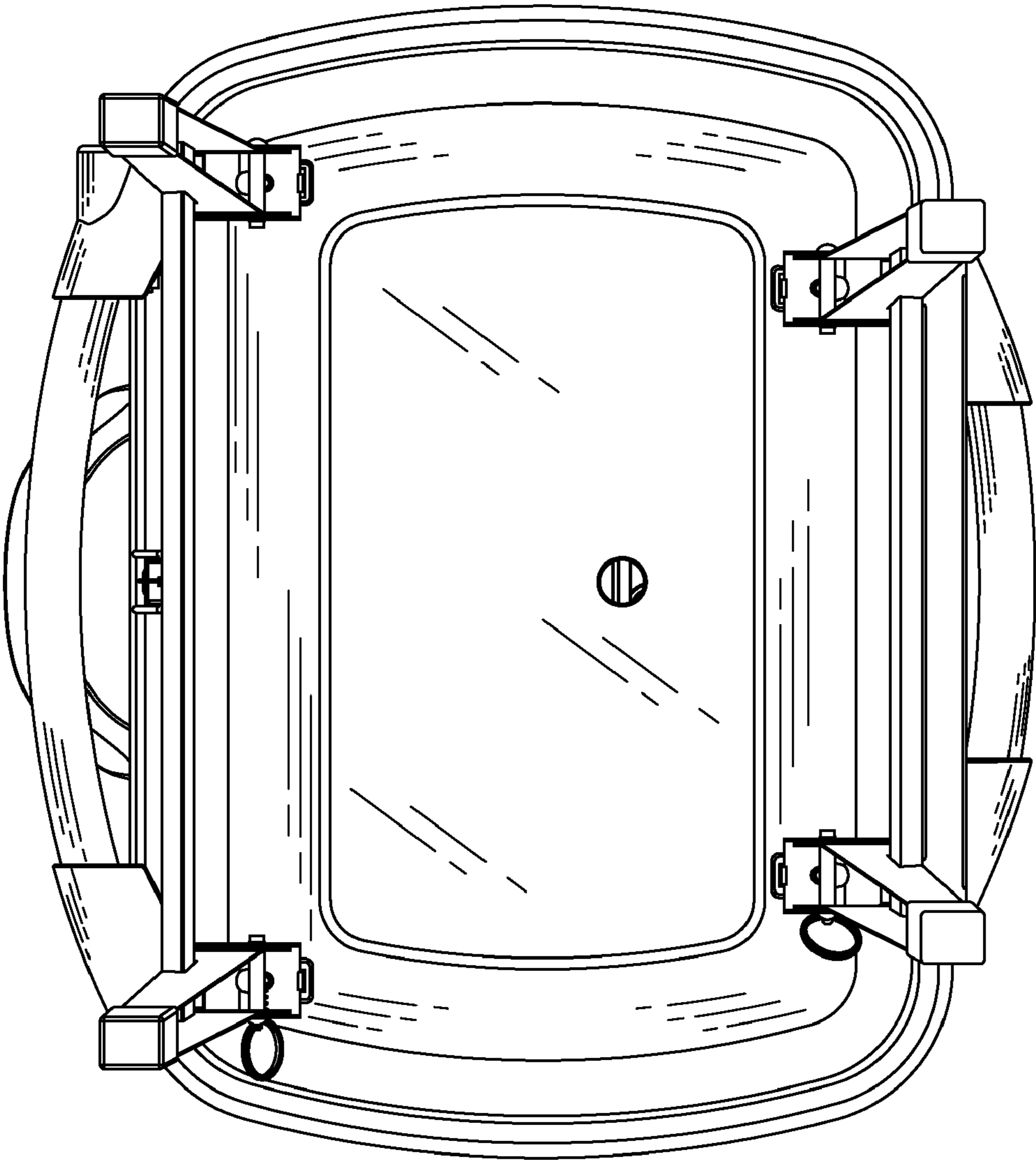


FIG. 7