



US00D600490S

(12) **United States Design Patent**  
**Pino et al.**

(10) **Patent No.:** **US D600,490 S**  
(45) **Date of Patent:** **\*\* Sep. 22, 2009**

(54) **ICED TEA BREWER**

(75) Inventors: **Giovanni Pino**, Delray Beach, FL (US);  
**Linda Makhanlall**, Coconut Creek, FL  
(US); **Eric O'Neill**, Boynton Beach, FL  
(US); **Tong Jin Kim**, Evanston, IL (US)

(73) Assignee: **Sunbeam Products, Inc.**, Boca Raton,  
FL (US)

(\*\*) Term: **14 Years**

(21) Appl. No.: **29/333,214**

(22) Filed: **Mar. 4, 2009**

(51) **LOC (9) Cl.** ..... **07-01**

(52) **U.S. Cl.** ..... **D7/306; D7/309; D7/311**

(58) **Field of Classification Search** ..... D7/300,  
D7/305-312; 222/185.1, 129.1-129.4; 99/295,  
99/275, 300, 302, 306; D20/1, 4, 5; D15/82  
See application file for complete search history.

(56) **References Cited**

**U.S. PATENT DOCUMENTS**

D283,779 S \* 5/1986 Beeren ..... D7/309  
D300,595 S \* 4/1989 Boxall ..... D7/307  
D338,365 S \* 8/1993 Meelen et al. .... D7/309  
D417,358 S \* 12/1999 Dutruel ..... D7/309

D552,401 S \* 10/2007 Picozza et al. .... D7/306  
D581,196 S \* 11/2008 Kassenaar ..... D7/306  
D586,169 S \* 2/2009 Kennedy et al. .... D7/306

\* cited by examiner

*Primary Examiner*—Marianne Pandozzi  
(74) *Attorney, Agent, or Firm*—Seth Blum

(57) **CLAIM**

The ornamental design for a iced tea brewer, as shown and described.

**DESCRIPTION**

FIG. 1 is a front left perspective view of the iced tea brewer showing the new design;

FIG. 2 is a front elevation view thereof;

FIG. 3 is a back elevation view thereof;

FIG. 4 is a right side elevation view thereof;

FIG. 5 is a left side elevation view thereof;

FIG. 6 is a top plan view elevation thereof; and,

FIG. 7 is a bottom plan view thereof.

The broken lines in the drawings are for illustrative purposes only and form no part of the claimed design.

**1 Claim, 3 Drawing Sheets**

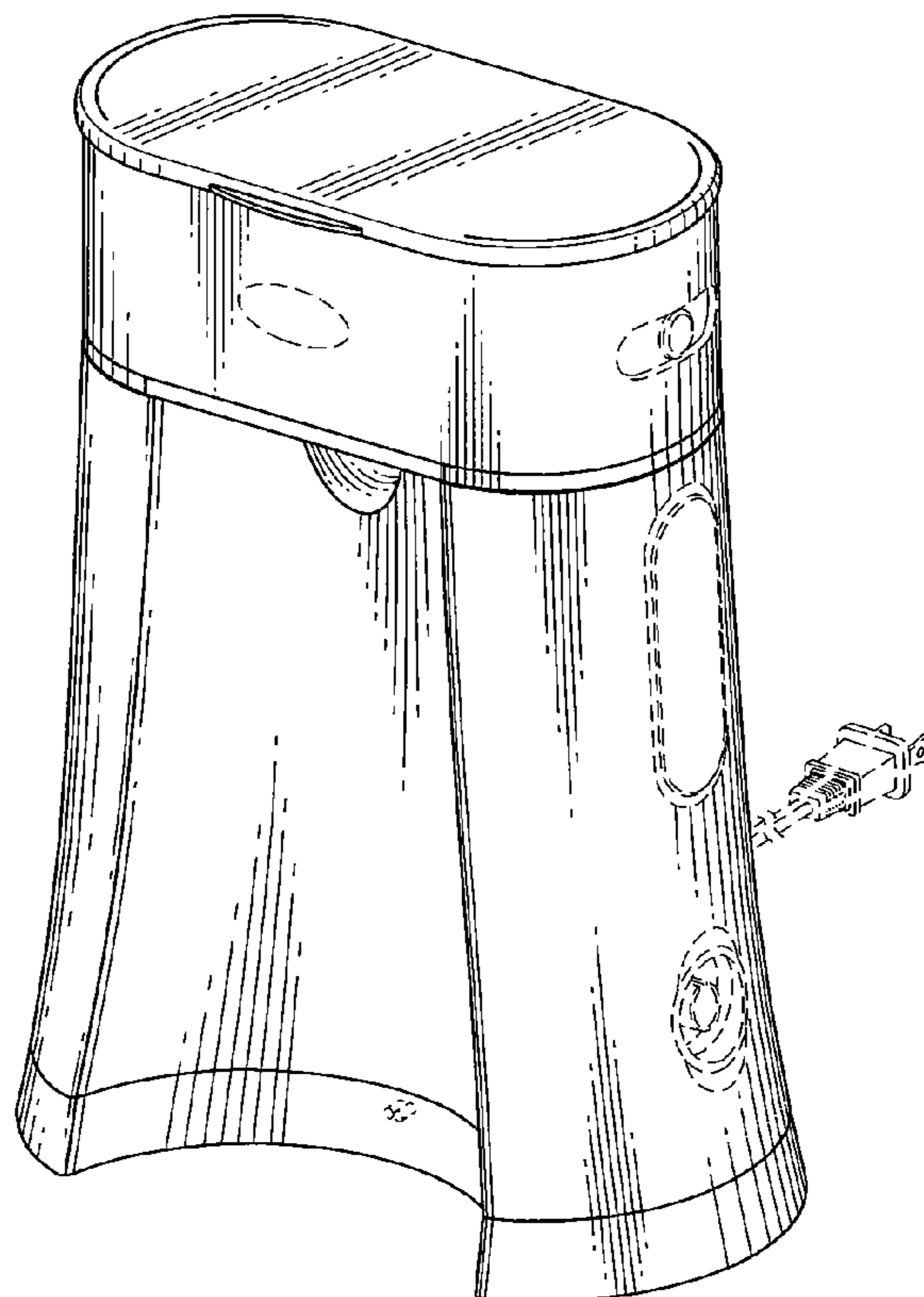


FIG. 1

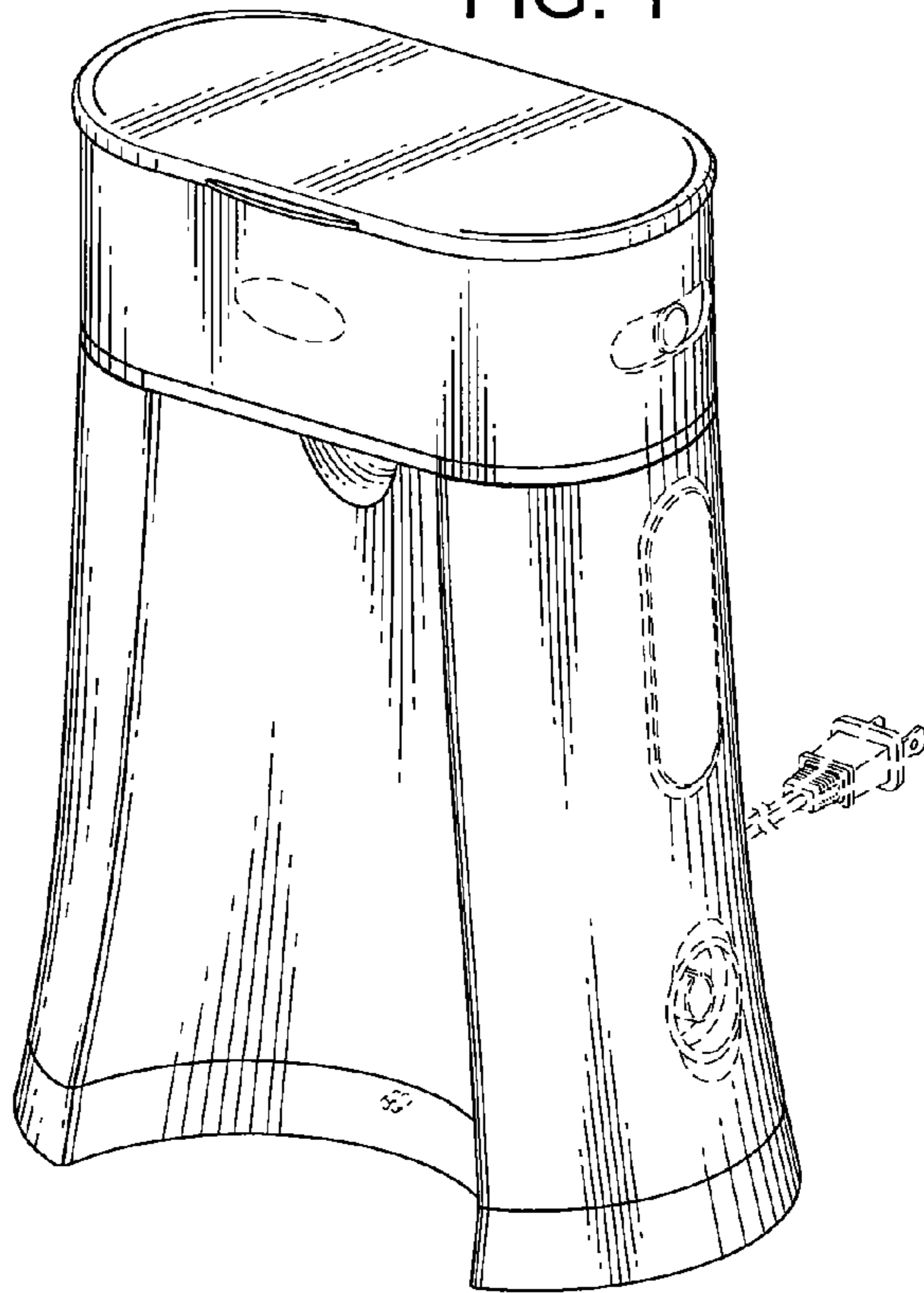


FIG. 6

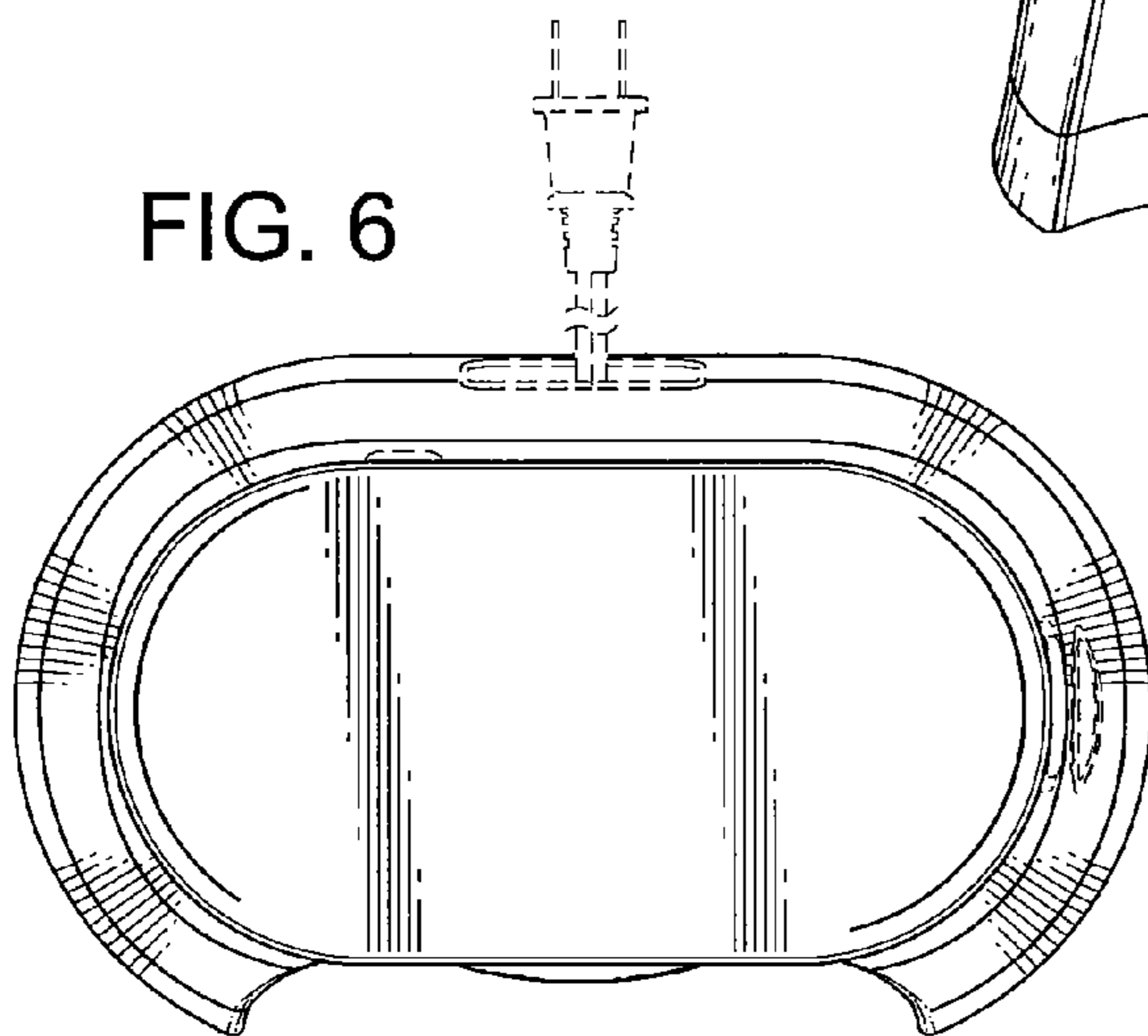


FIG. 7

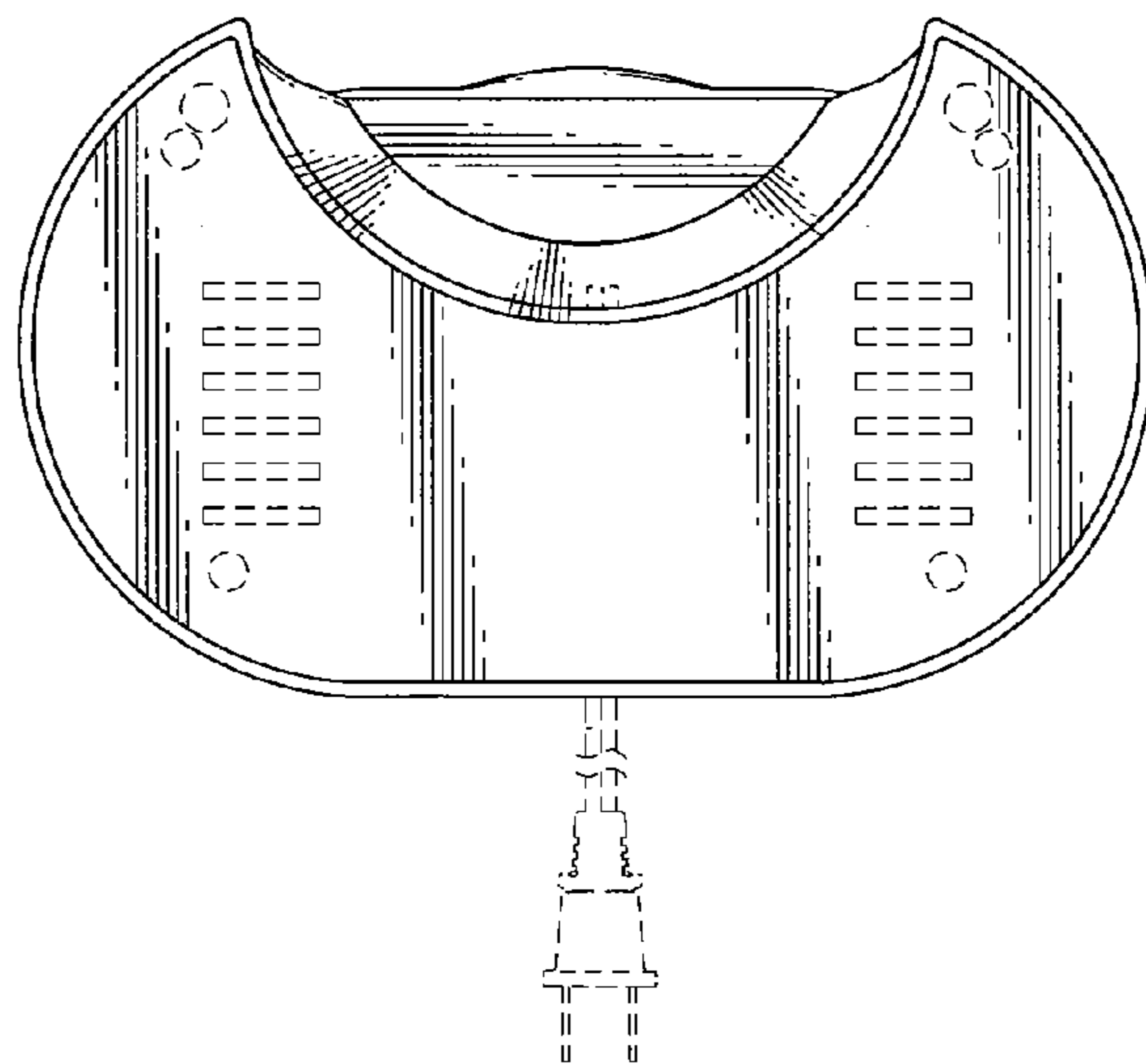


FIG. 2

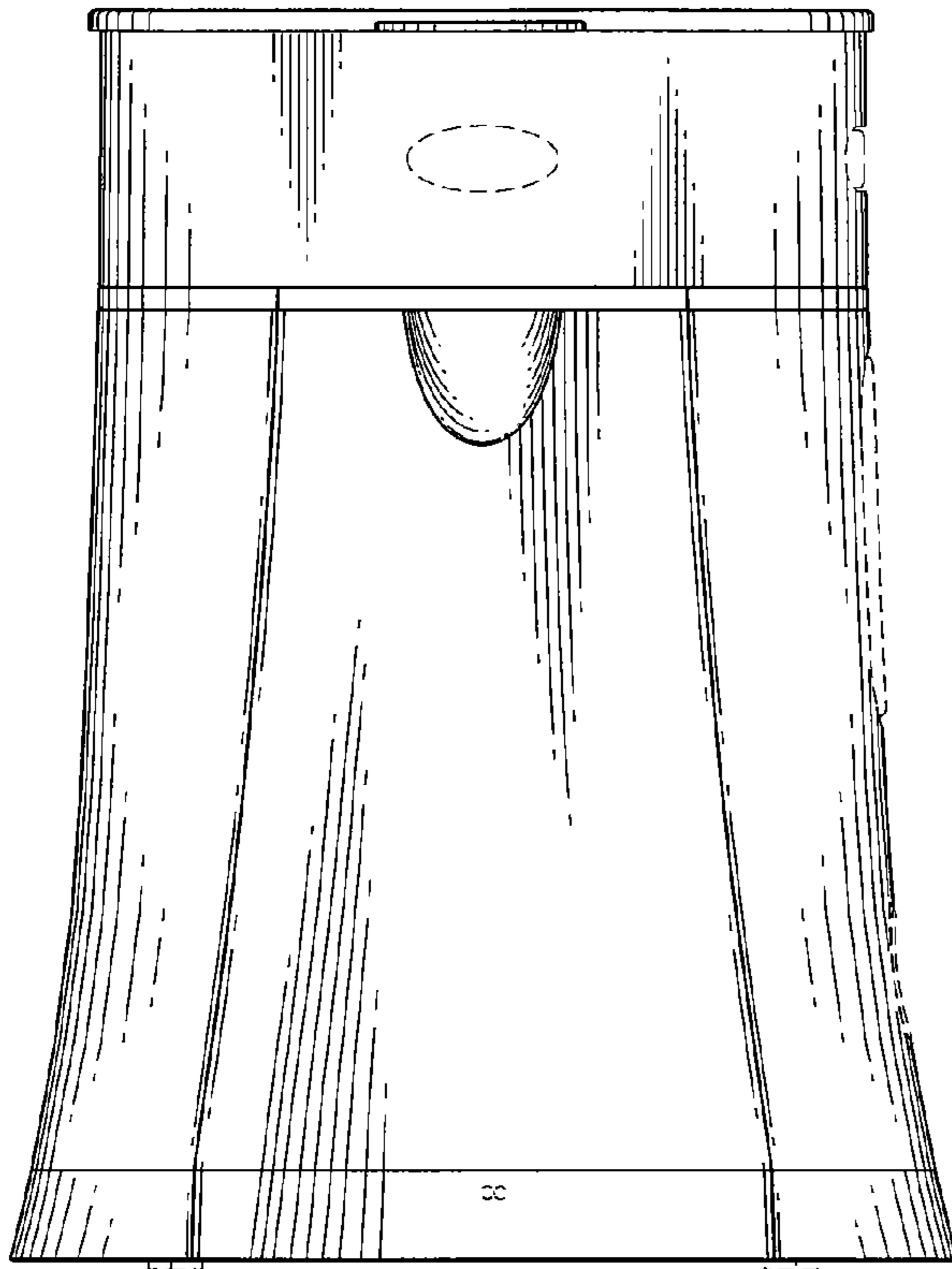


FIG. 3

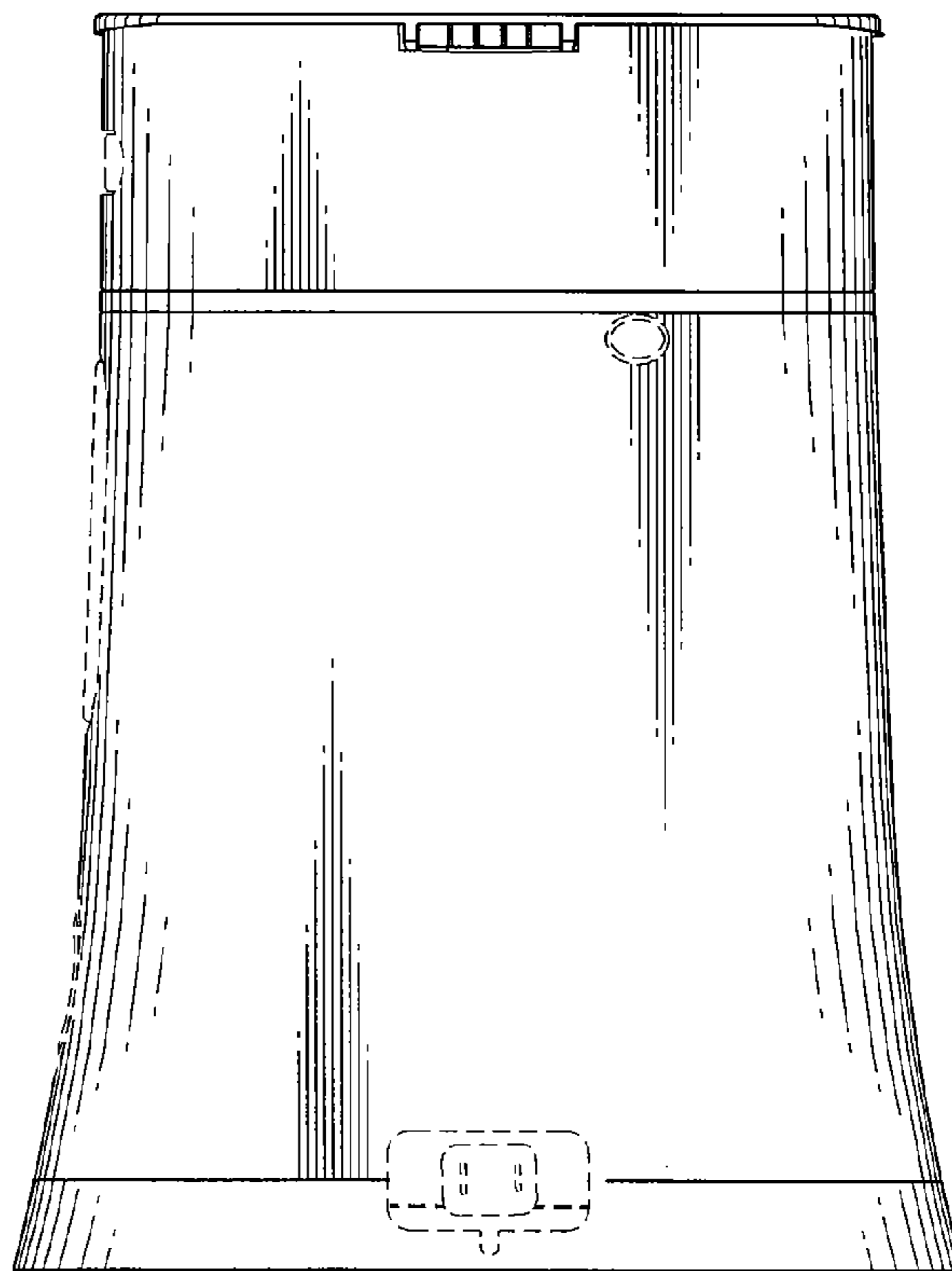


FIG. 4

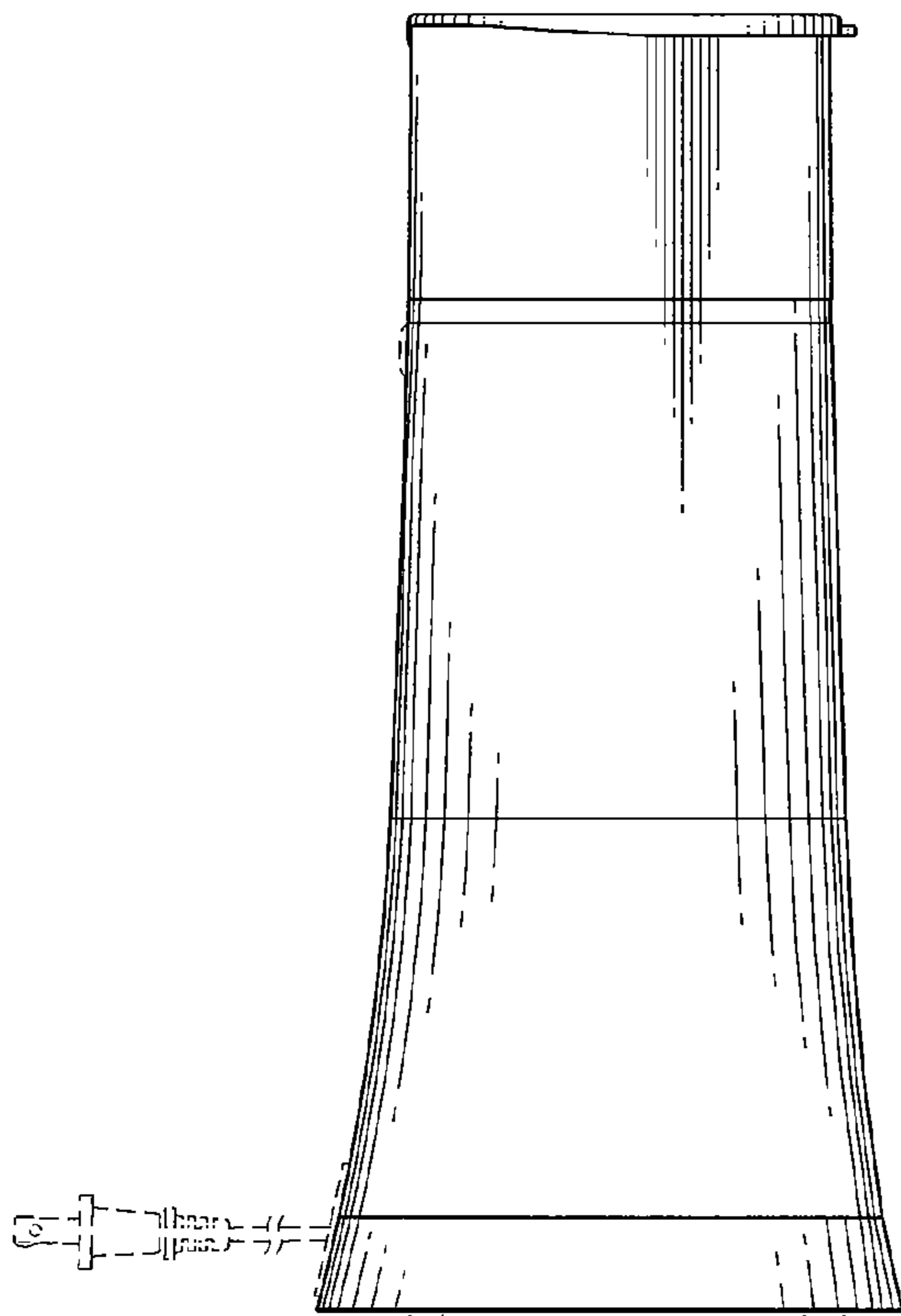


FIG. 5

