



US00D600489S

(12) **United States Design Patent**
Holcomb et al.

(10) **Patent No.:** **US D600,489 S**

(45) **Date of Patent:** **** Sep. 22, 2009**

(54) **COCKTAIL SHAKER**

(75) Inventors: **David A. Holcomb**, Seattle, WA (US);
Joshua R. Stewart, Seattle, WA (US);
Matthew Krus, Seattle, WA (US)

(73) Assignee: **Chef'n Corporation**, Seattle, WA (US)

(**) Term: **14 Years**

(21) Appl. No.: **29/323,138**

(22) Filed: **Aug. 19, 2008**

(51) **LOC (9) Cl.** **07-01**

(52) **U.S. Cl.** **D7/300.1; D7/510; D7/511**

(58) **Field of Classification Search** **D7/300.1,**
D7/505-515, 608, 540, 538; D3/205; D9/526,
D9/529, 503; 215/396; 220/703, 713, 254.7,
220/780; 206/508

See application file for complete search history.

(56) **References Cited**

U.S. PATENT DOCUMENTS

D38,167 S	8/1906	Wintermann	
1,197,389 A	9/1916	Newton	
D120,587 S	5/1940	Hinkins	
D426,109 S *	6/2000	Freed	D7/533
D436,800 S *	1/2001	Nowak et al.	D7/392.1
D443,821 S	6/2001	Bakic	D9/500
D478,779 S *	8/2003	Stamper et al.	D7/510
D480,267 S	10/2003	Freed et al.	D7/510
D488,244 S *	4/2004	Schrader	D25/121
D488,348 S *	4/2004	Liu	D7/523
D488,672 S	4/2004	Oas	D7/507
D498,966 S *	11/2004	Fiedeler et al.	D7/300.1
D512,875 S *	12/2005	Maldonado	D7/510

D514,887 S *	2/2006	Liu	D7/536
D526,848 S	8/2006	Bodum	D7/523
D528,861 S *	9/2006	Herrera	D7/510
D547,122 S	7/2007	Gluck	D7/523
D547,610 S	7/2007	Edelstein et al.	D7/511
D549,596 S	8/2007	Ioannides et al.	D9/776
D553,308 S	10/2007	Klein	D30/199
D553,437 S	10/2007	Bodum	D7/523
D553,439 S	10/2007	Bodum	D7/523
D566,451 S *	4/2008	Wang	D7/300.1
D572,975 S	7/2008	Germany	D7/510

* cited by examiner

Primary Examiner—Marianne Pandozzi

(74) *Attorney, Agent, or Firm*—Seed IP Law Group PLLC

(57) **CLAIM**

The ornamental design for a cocktail shaker, as shown and described.

DESCRIPTION

FIG. 1 is an isometric view of a cocktail shaker showing our new design.

FIG. 2 is a right side elevation view thereof.

FIG. 3 is a left side elevation view thereof.

FIG. 4 is a rear elevation view thereof.

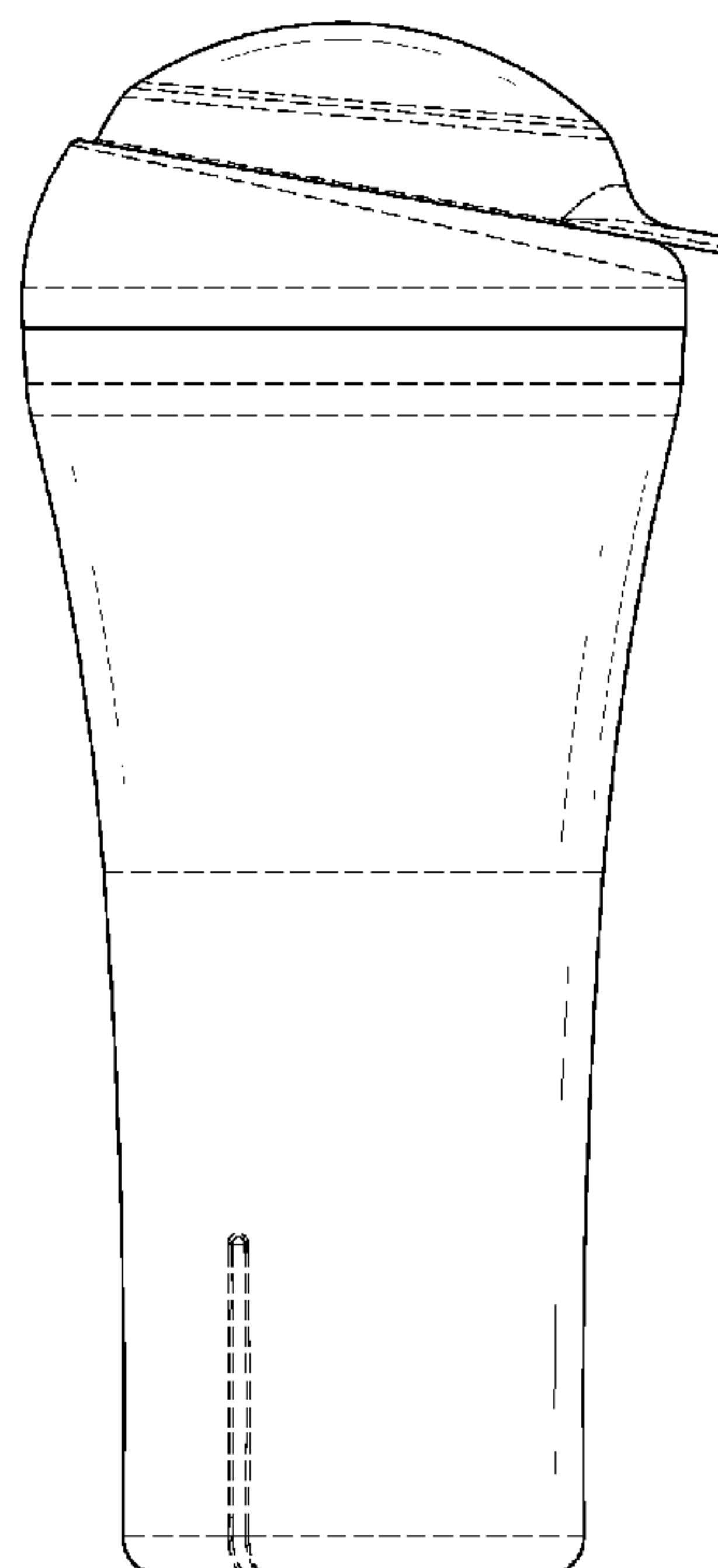
FIG. 5 is a front elevation view thereof.

FIG. 6 is a top plan view thereof; and,

FIG. 7 is a bottom plan view thereof.

The broken lines in the figures are for illustrative purposes only and form no part of the claimed design.

1 Claim, 4 Drawing Sheets



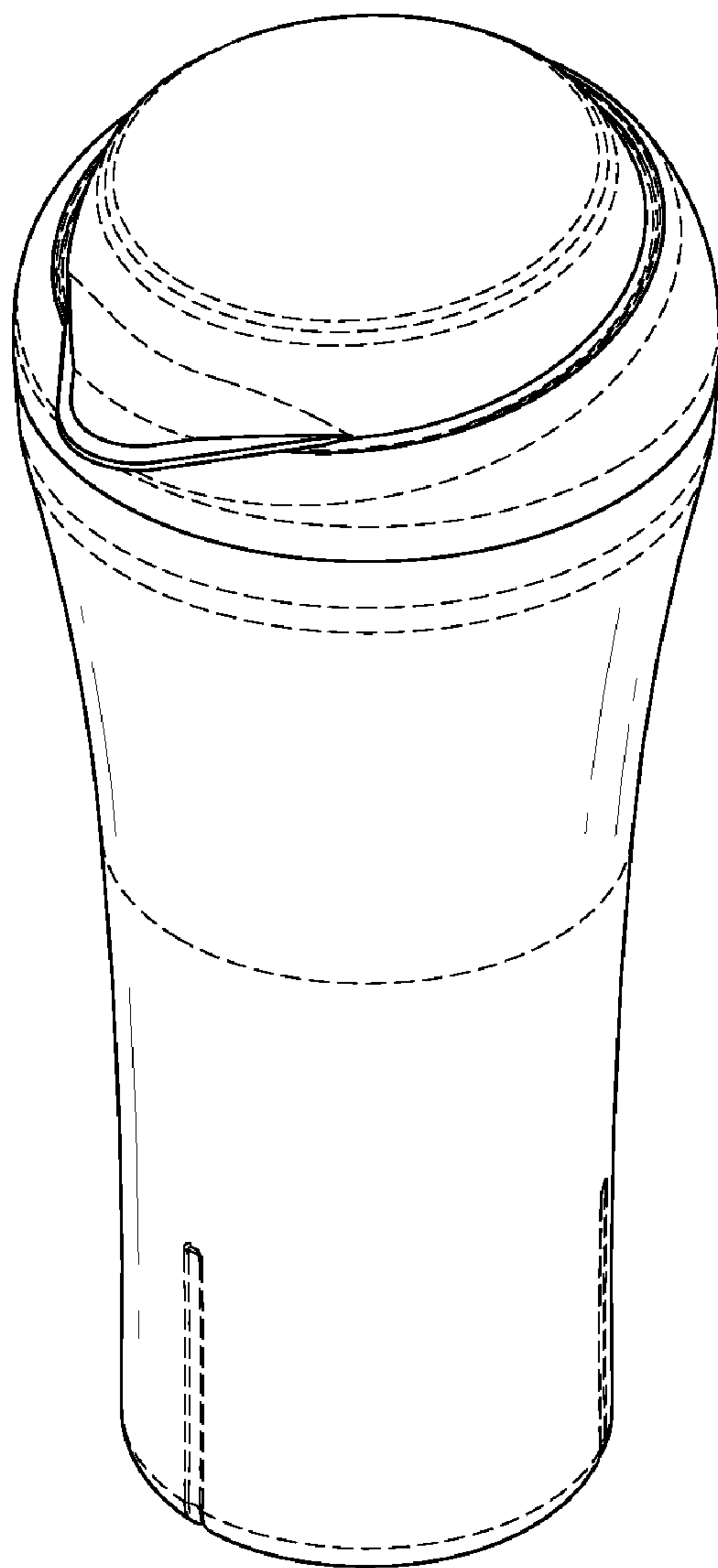


FIG. 1

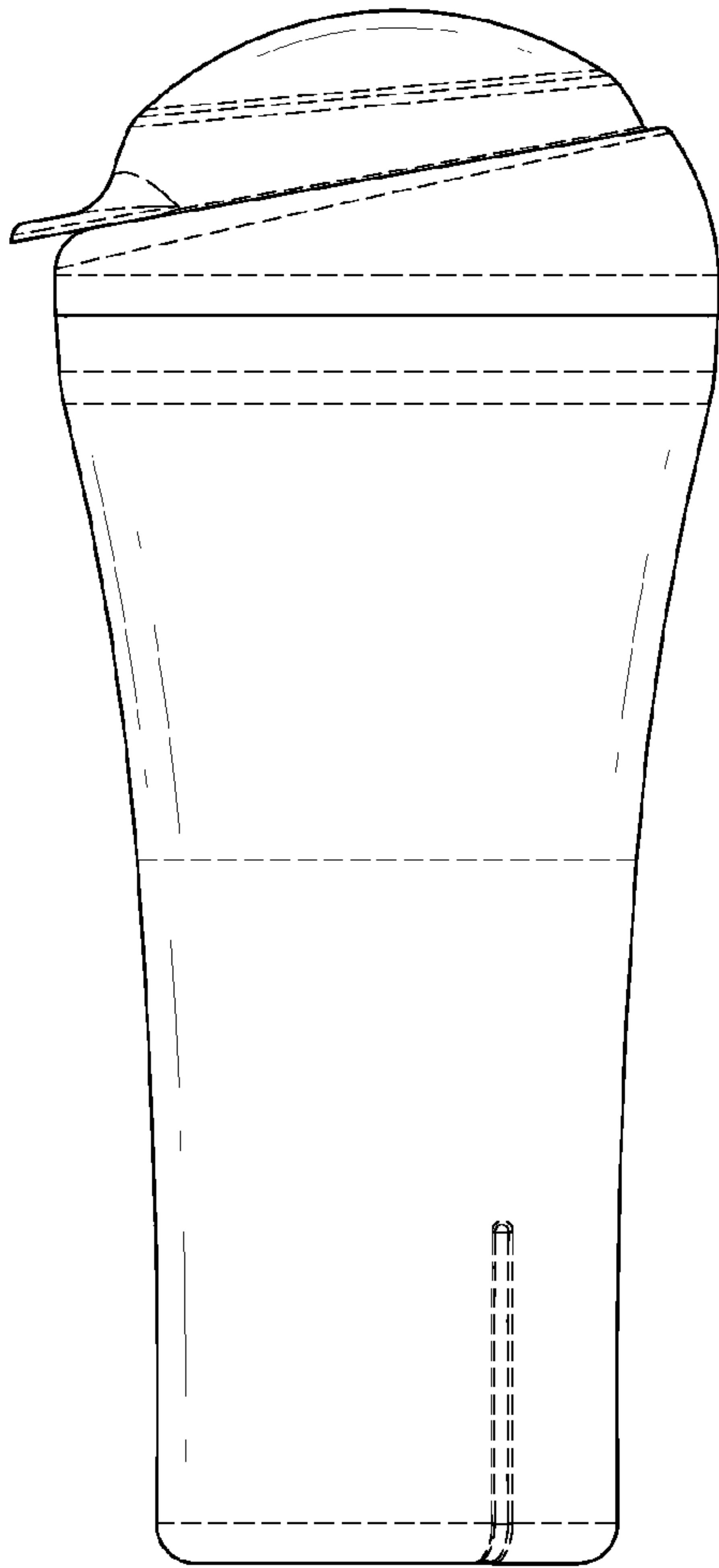


FIG. 2

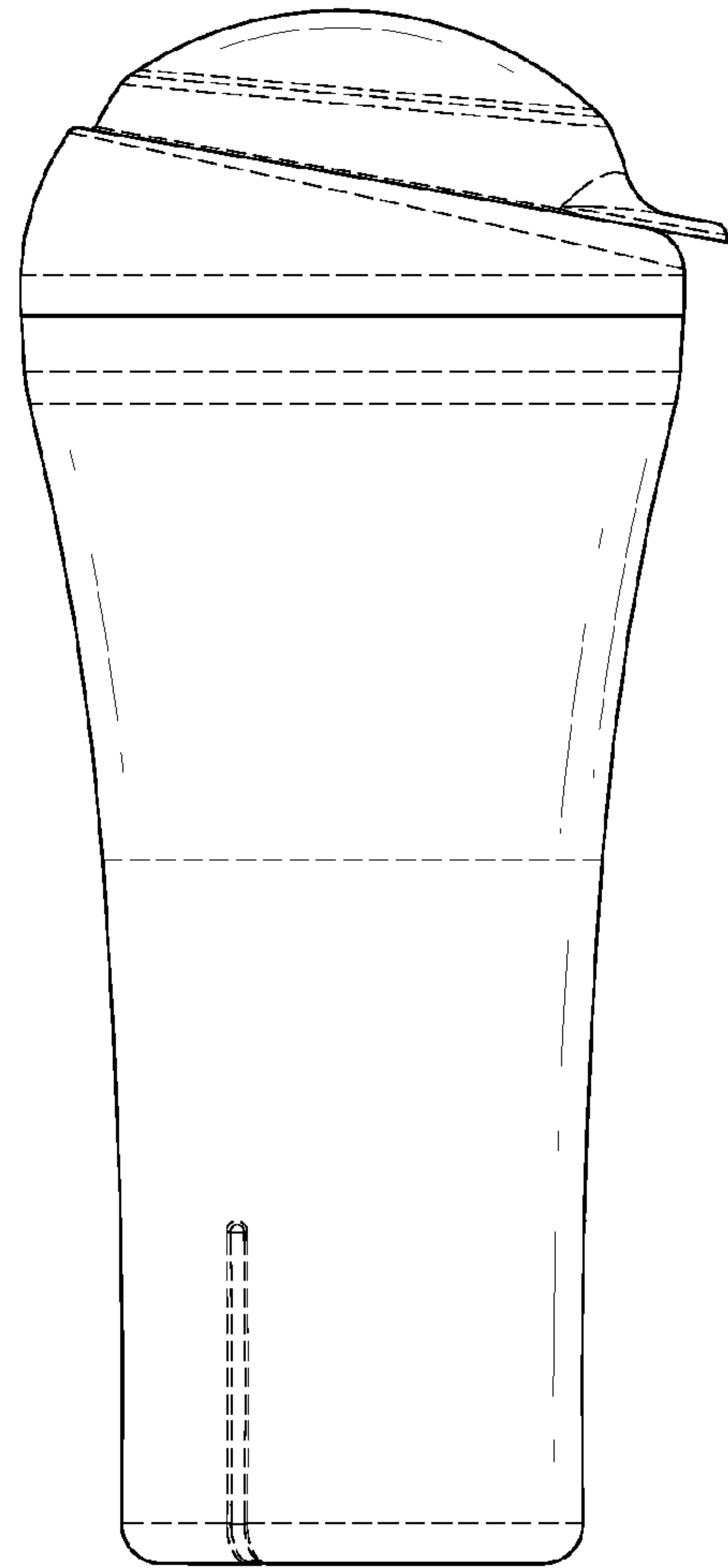


FIG. 3

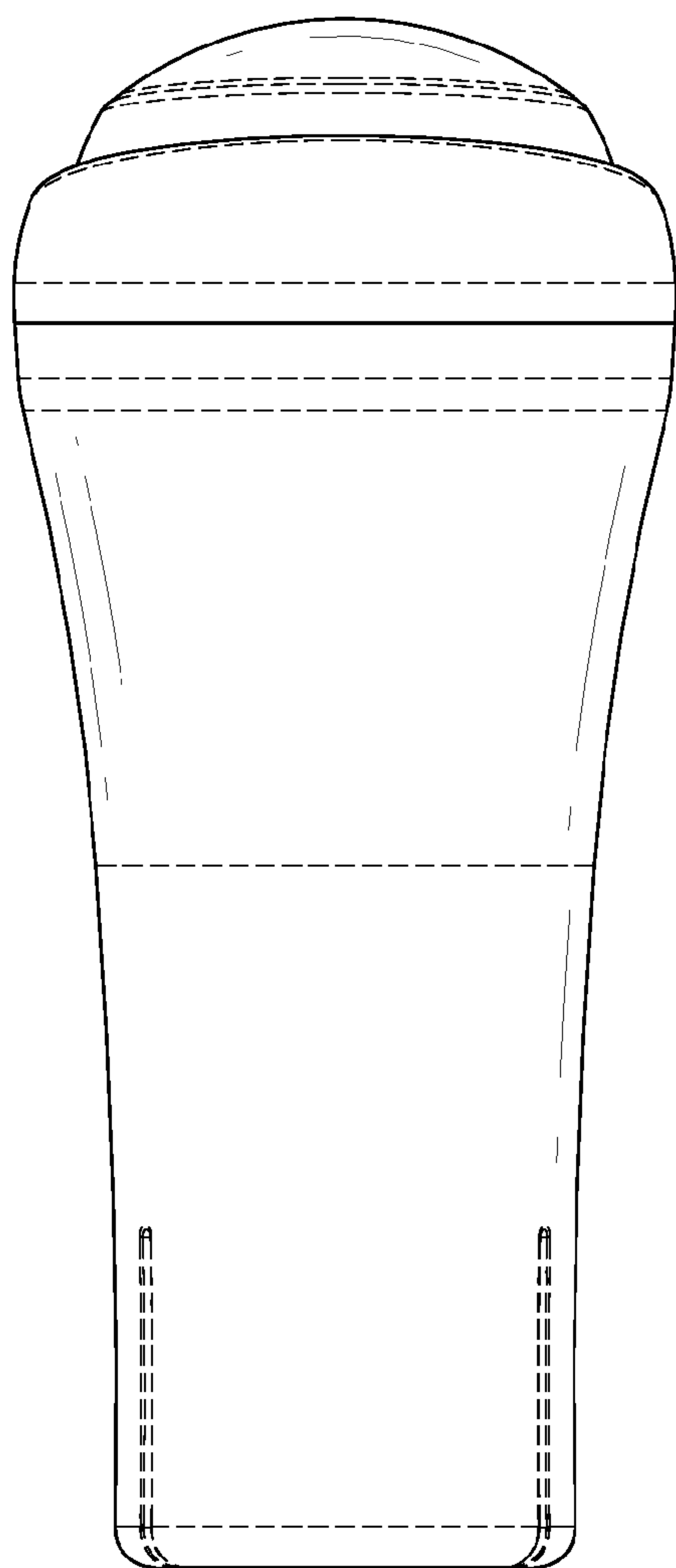


FIG. 4

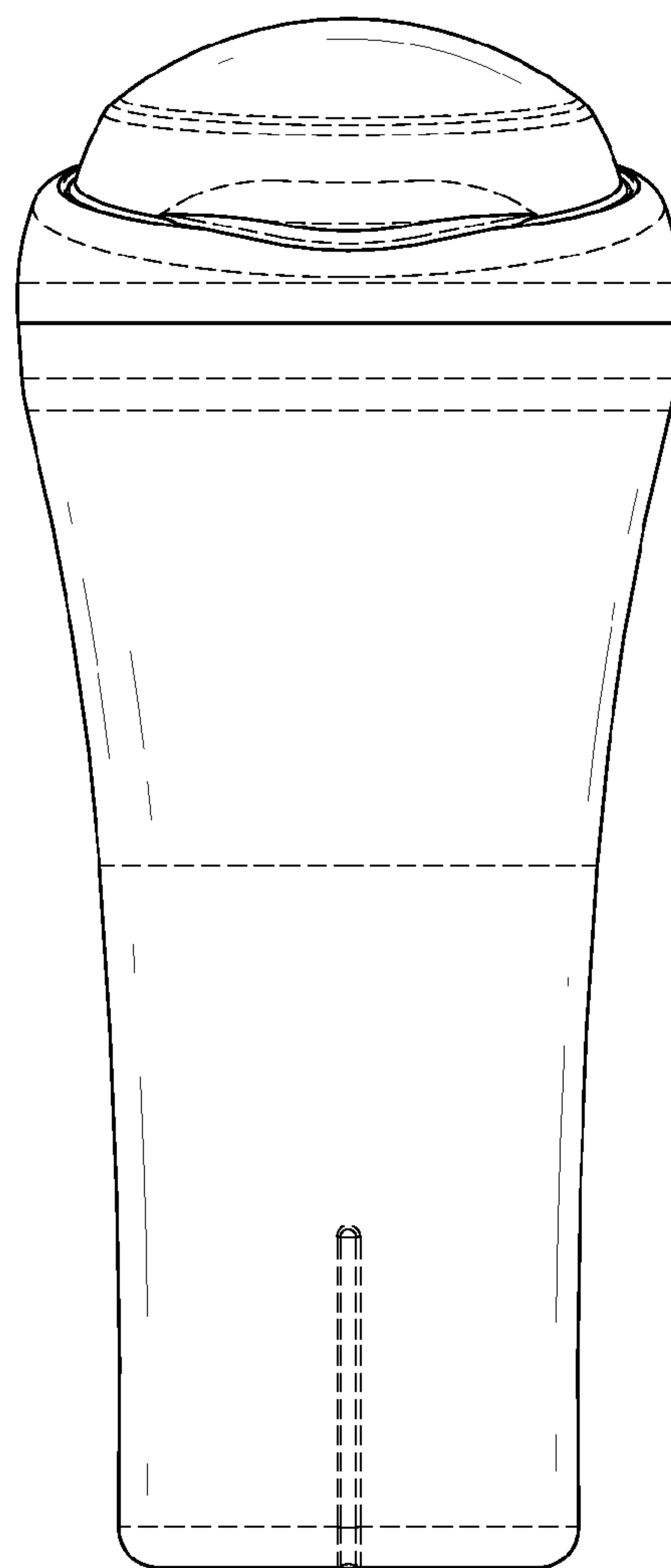


FIG. 5

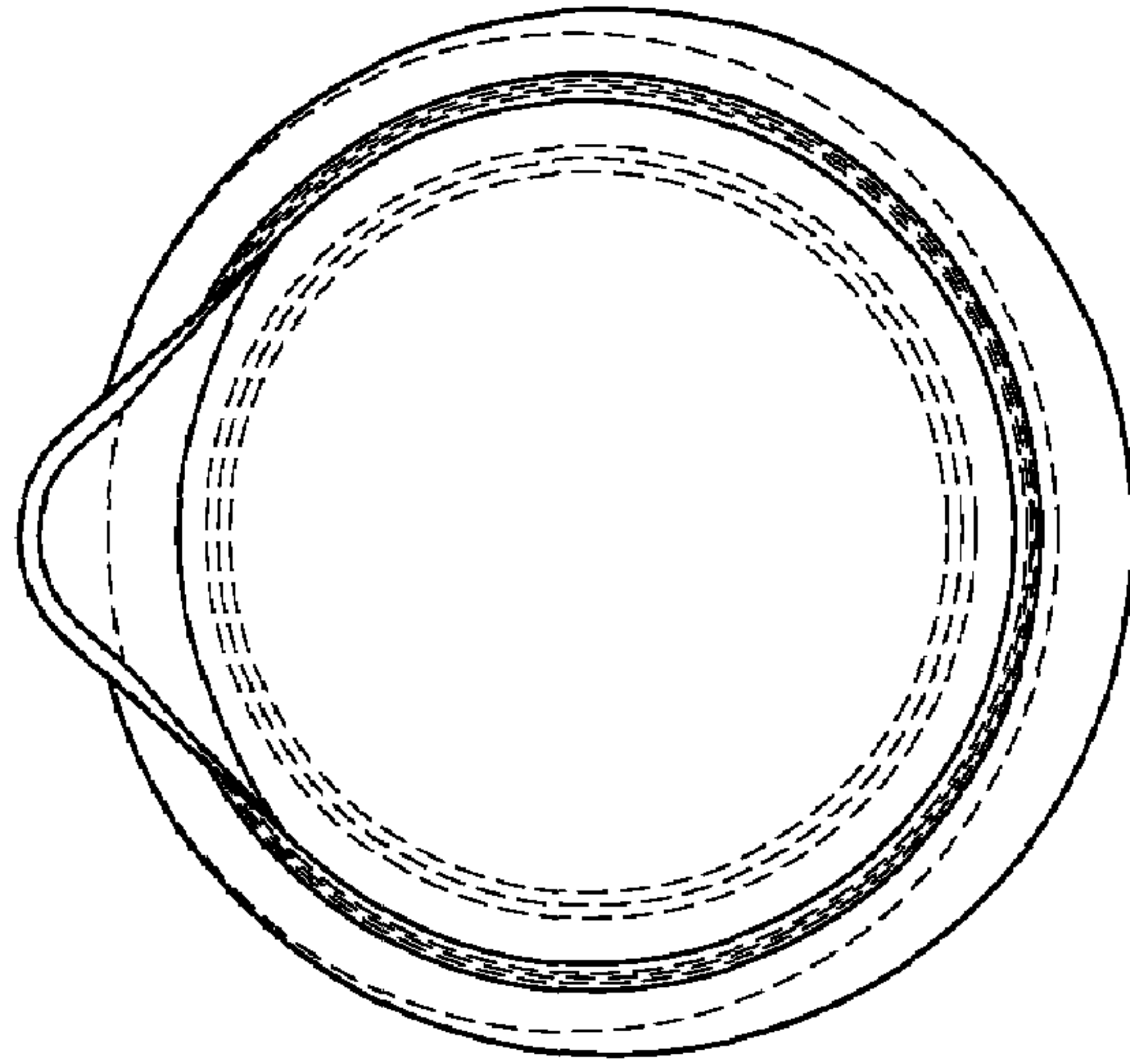


FIG. 6

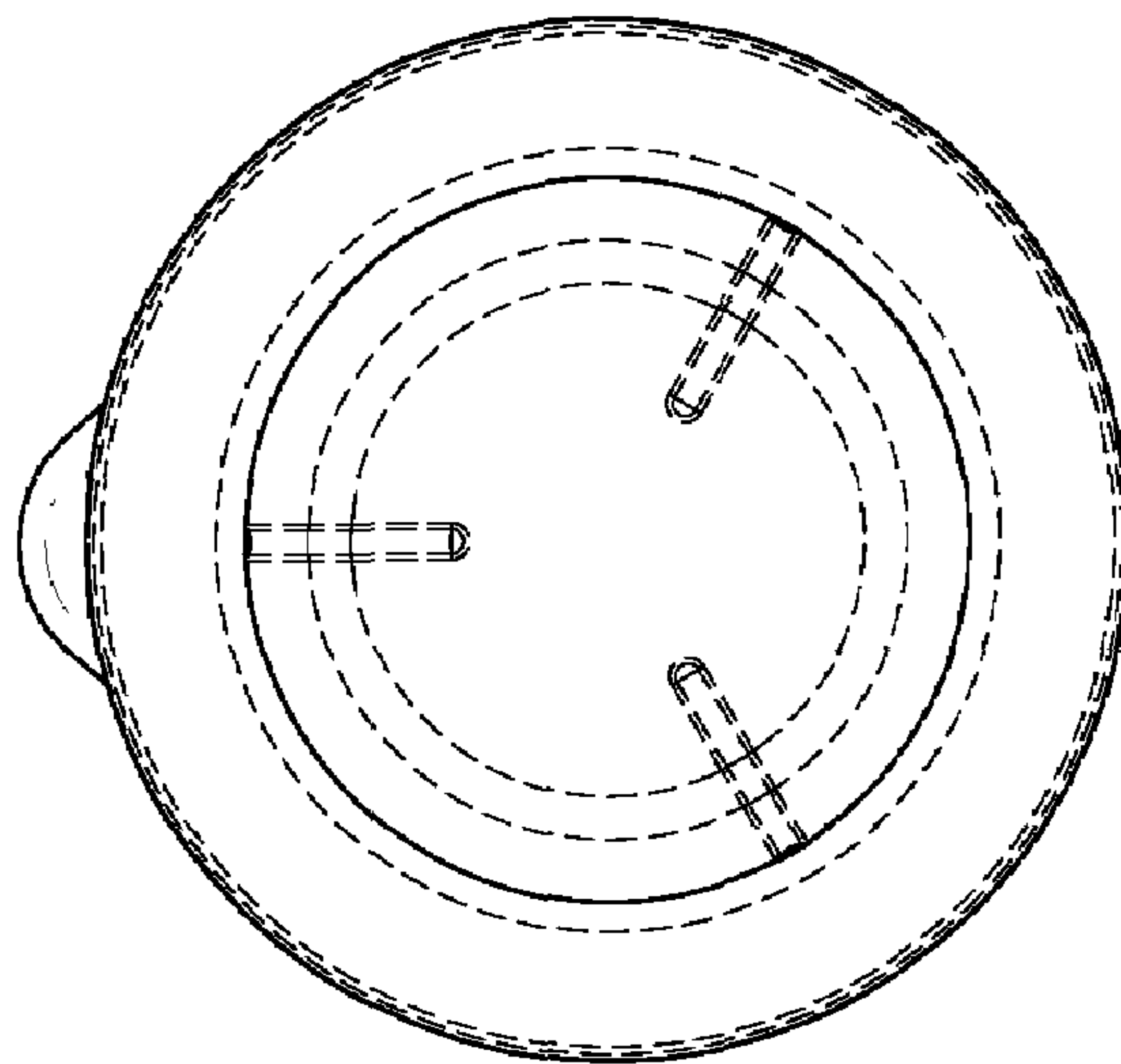


FIG. 7