



US00D600484S

(12) **United States Design Patent**
Anderson et al.

(10) **Patent No.:** **US D600,484 S**

(45) **Date of Patent:** **** Sep. 22, 2009**

(54) **HEADRAIL FOR AN ARCHITECTURAL COVERING**

(75) Inventors: **Richard N Anderson**, Whitesville, KY (US); **Donald E Fraser**, Owensboro, KY (US); **Stephen R Haarer**, Maceo, KY (US); **Eugene Thompson**, Maceo, KY (US)

(73) Assignee: **Hunter Douglas, Inc.**, Upper Saddle River, NJ (US)

(**) Term: **14 Years**

(21) Appl. No.: **29/283,533**

(22) Filed: **Aug. 16, 2007**

(51) **LOC (9) Cl.** **06-10**

(52) **U.S. Cl.** **D6/580**

(58) **Field of Classification Search** D6/575,
D6/577, 580, 581; D8/377; D25/119, 124;
160/168, 168 R, 178.1 R, 38, 170, 177; 248/251,
248/261

See application file for complete search history.

(56) **References Cited**

U.S. PATENT DOCUMENTS

2,731,681 A	1/1956	Gall	
D345,498 S *	3/1994	Fraser et al.	D8/377
D440,444 S *	4/2001	Sonnenberg et al.	D6/580
D443,168 S *	6/2001	Horsten	D6/580
D443,788 S *	6/2001	Horsten	D6/580
D488,945 S *	4/2004	Bibby et al.	D6/580
D494,801 S *	8/2004	Lee	D6/580
D567,002 S *	4/2008	Allsopp	D6/580

* cited by examiner

Primary Examiner—Robert M Spear
Assistant Examiner—Barbara B Lohr
(74) *Attorney, Agent, or Firm*—Merchant & Gould

(57) **CLAIM**

The ornamental design for a headrail for an architectural covering, as shown and described.

DESCRIPTION

FIG. 1 is an isometric view looking at the top and front of a first embodiment of a headrail showing our new design;

FIG. 2 is a right side view of the first embodiment of the headrail of FIG. 1, the left side view being a mirror image thereof;

FIG. 3 is a front view of the first embodiment thereof;

FIG. 4 is a top view of the first embodiment thereof;

FIG. 5 is a bottom view of the first embodiment thereof;

FIG. 6 is a rear view of the first embodiment thereof; and

FIG. 7 is an isometric view of a second embodiment of the design of FIGS. 1–6;

FIG. 8 is a right side view of the second embodiment of FIG. 7, the left side view being a mirror image thereof;

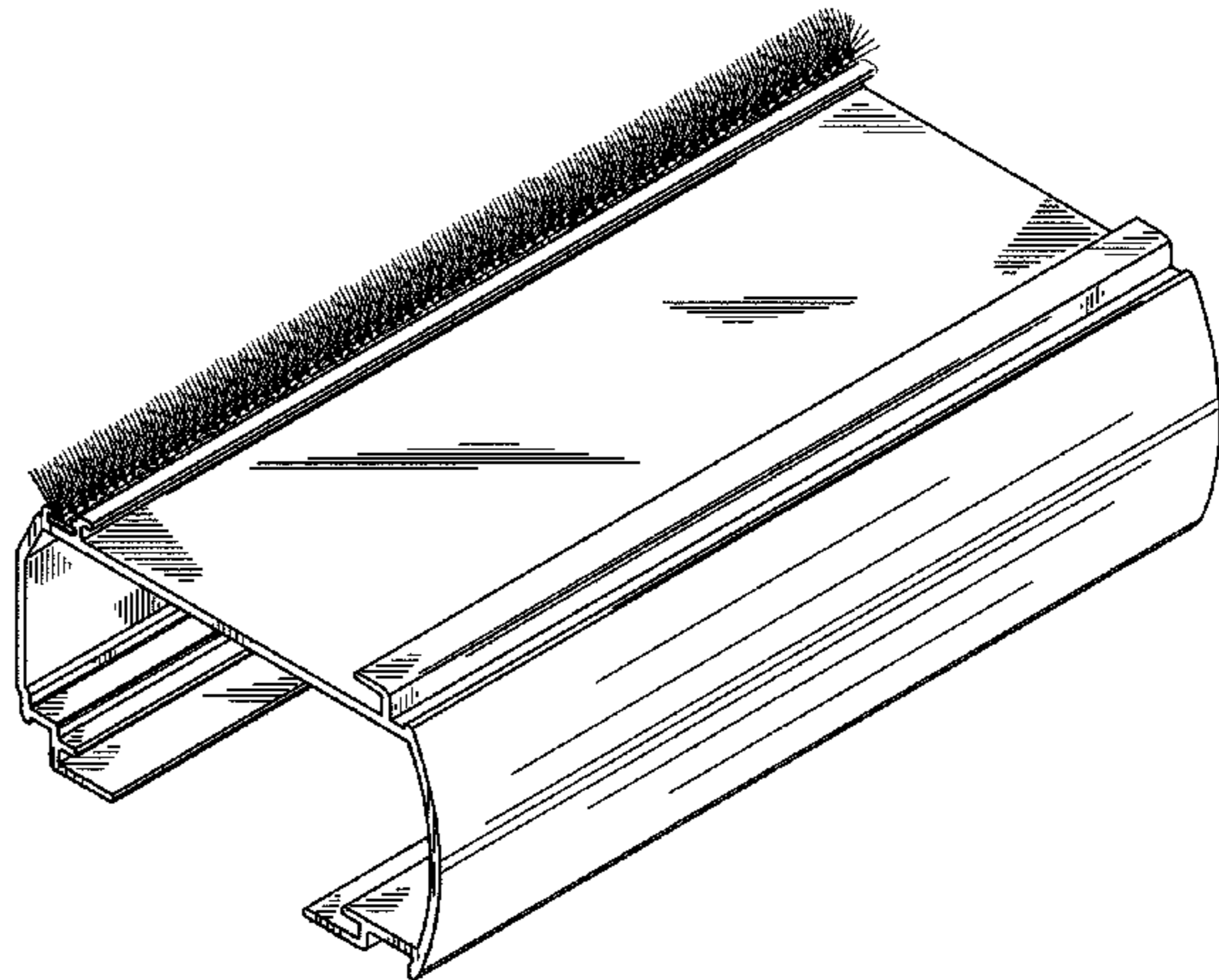
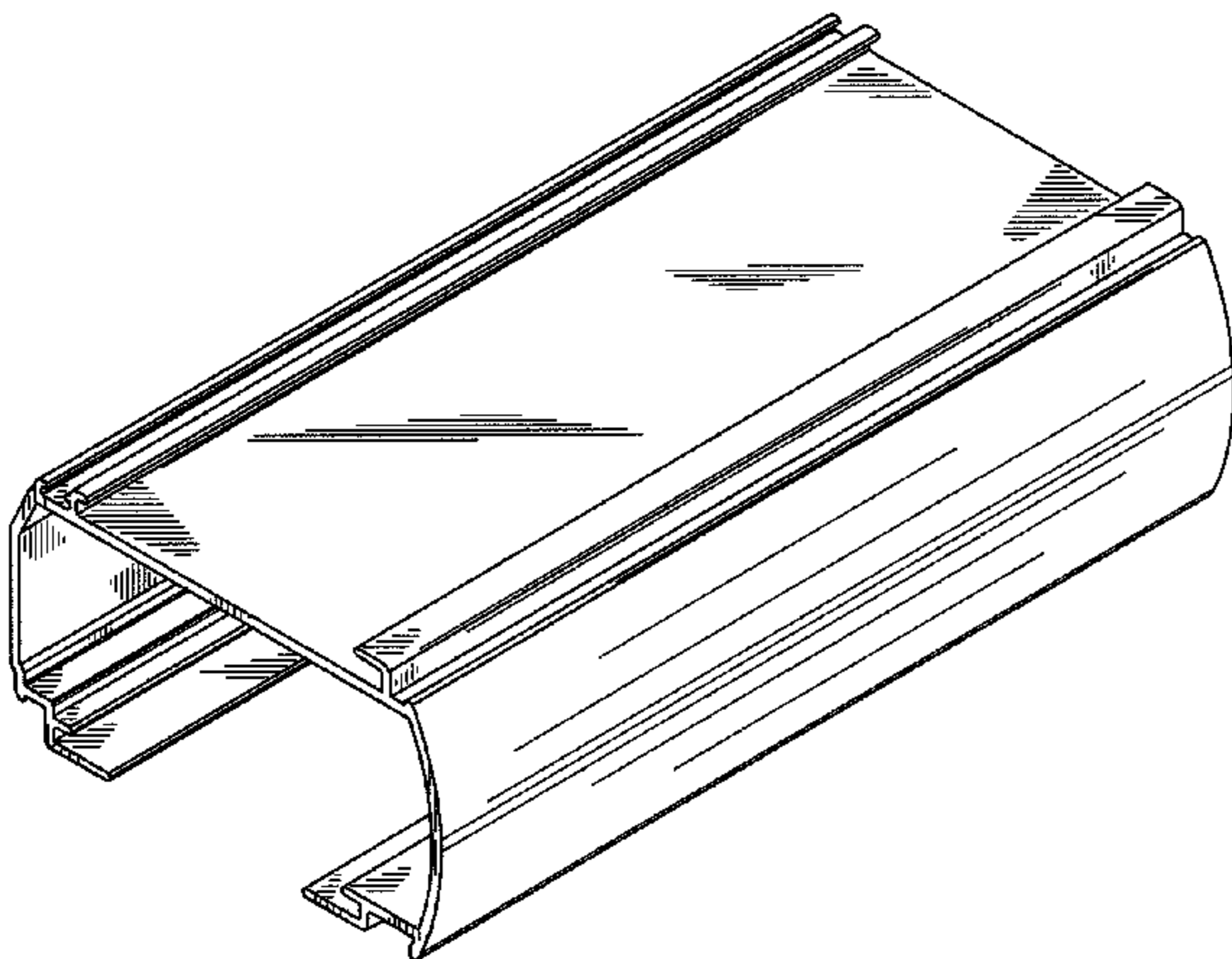
FIG. 9 is a front view of the second embodiment of FIG. 7;

FIG. 10 is a top view of the second embodiment of FIG. 7, the bottom view of the second embodiment being identical to the bottom view of the first embodiment shown in FIG. 5;

FIG. 11 is a rear view of the second embodiment of FIG. 7; and,

FIG. 12 is an enlarged fragmentary side view taken along the line 12—12 of FIG. 11.

1 Claim, 6 Drawing Sheets



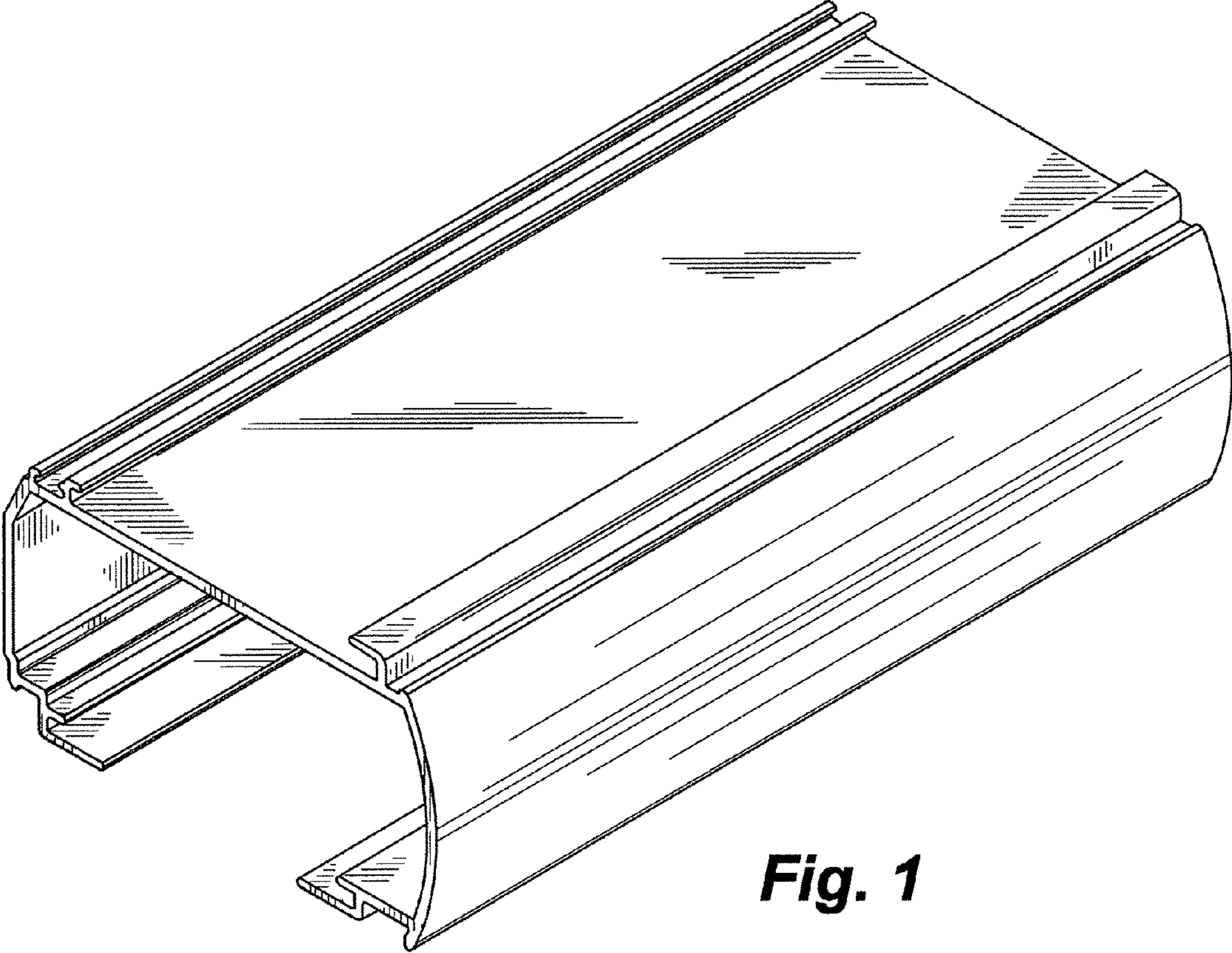


Fig. 1

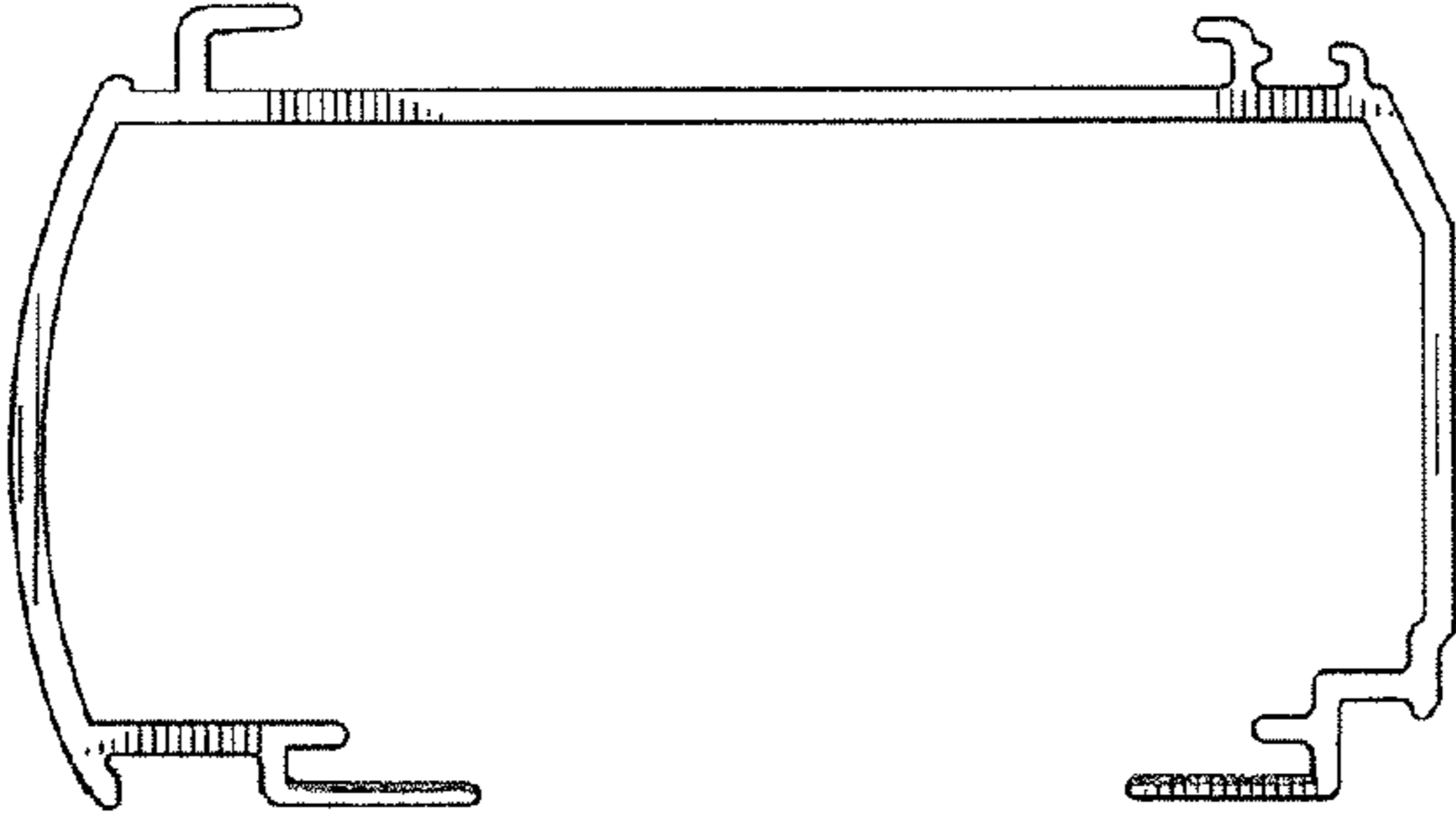


Fig. 2

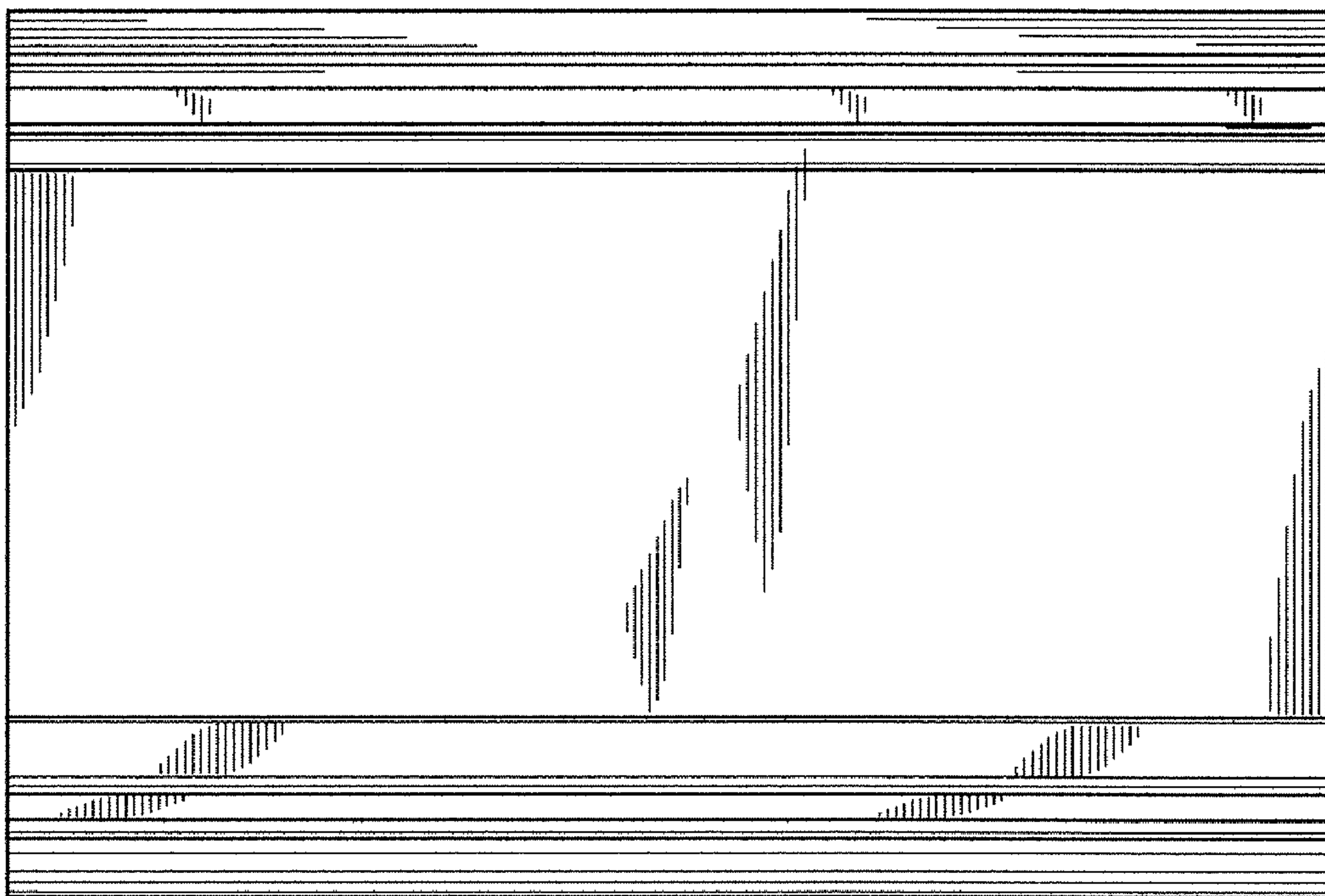


Fig. 4

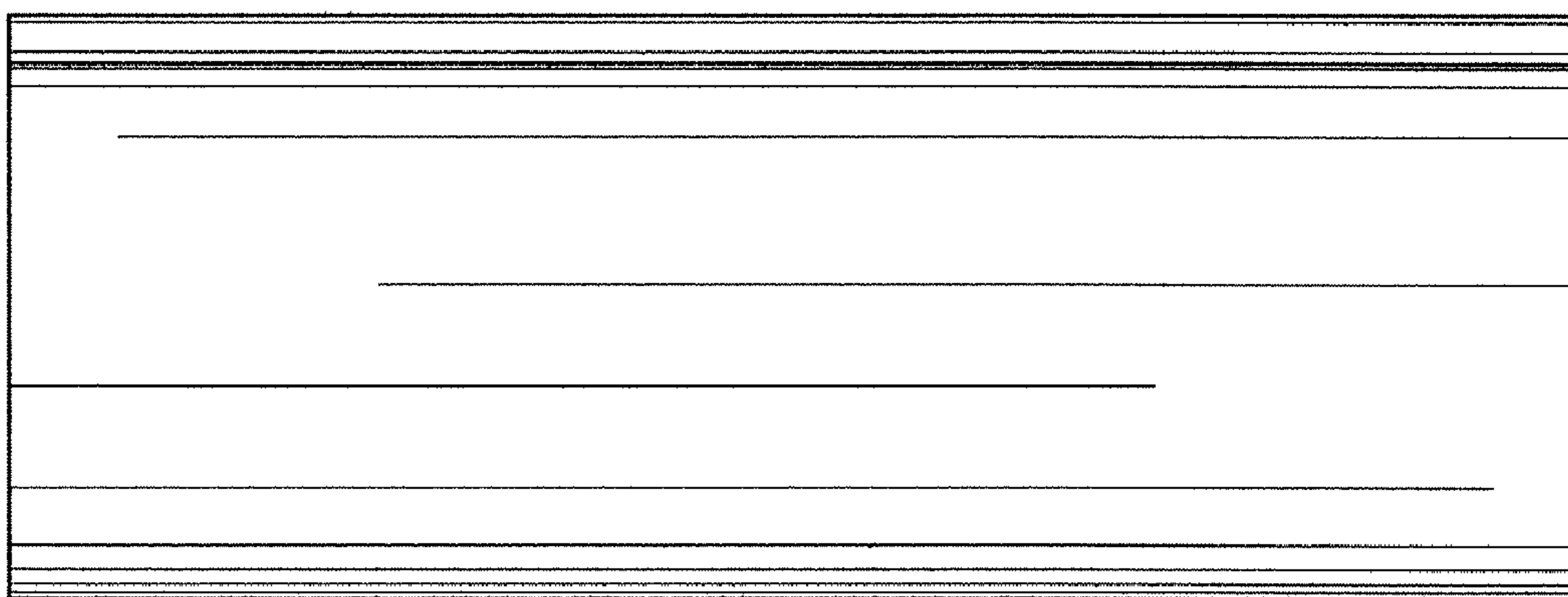


Fig. 3

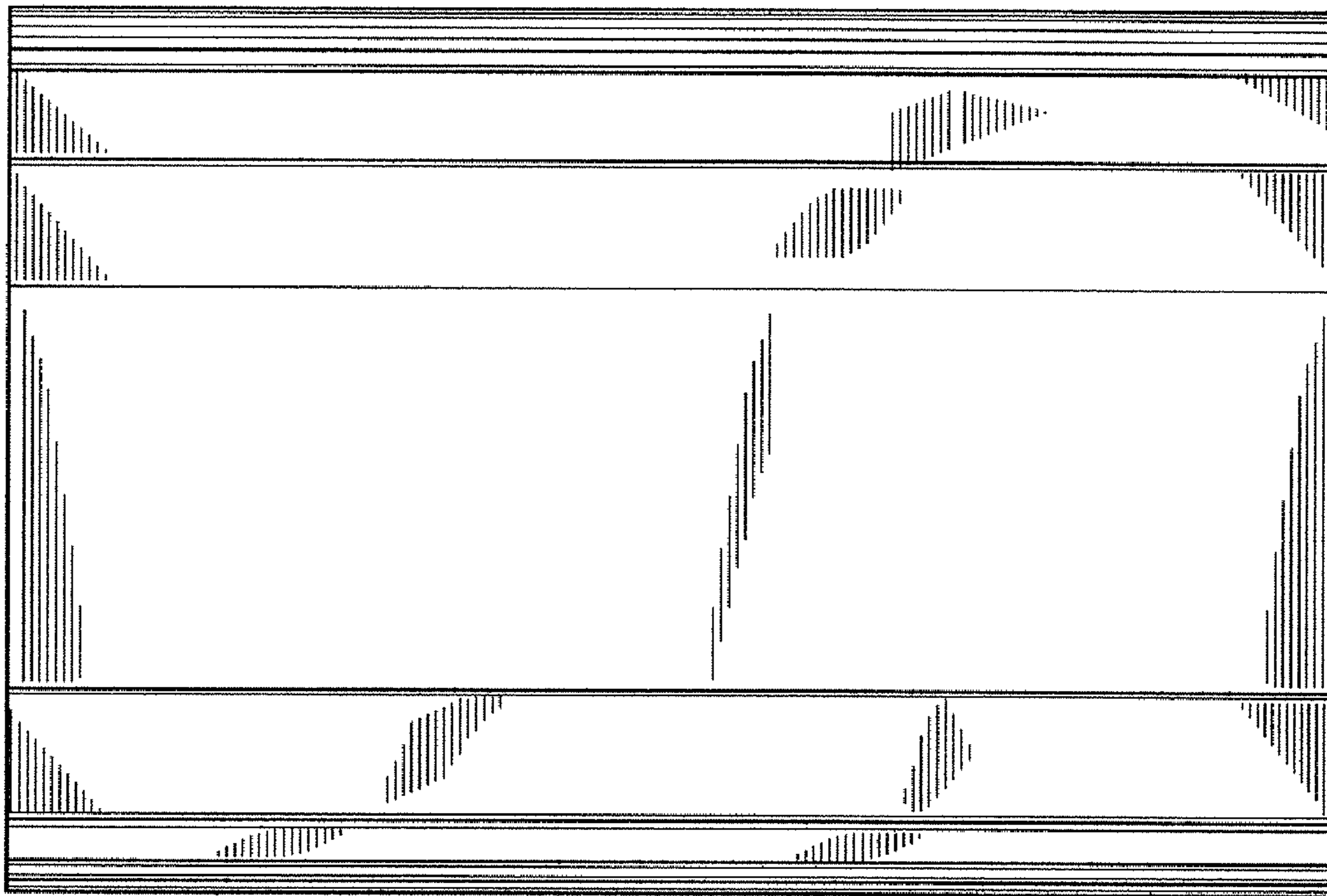


Fig. 5

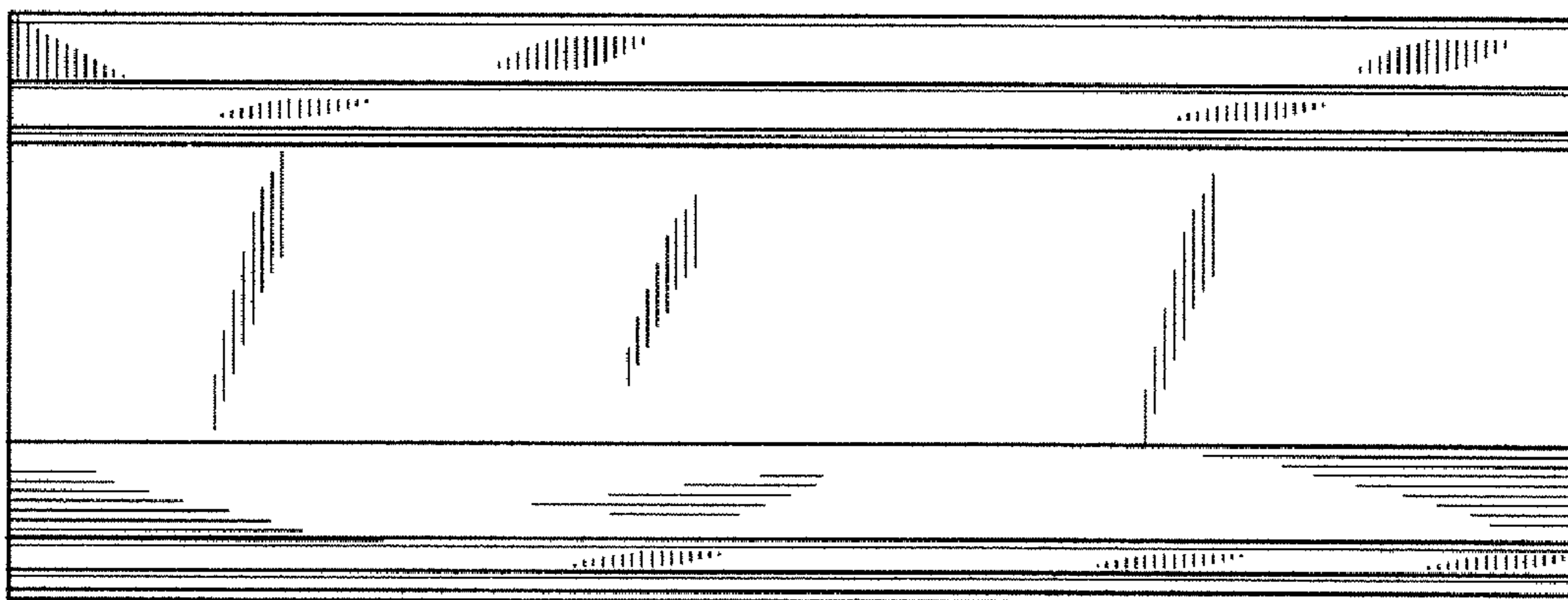


Fig. 6

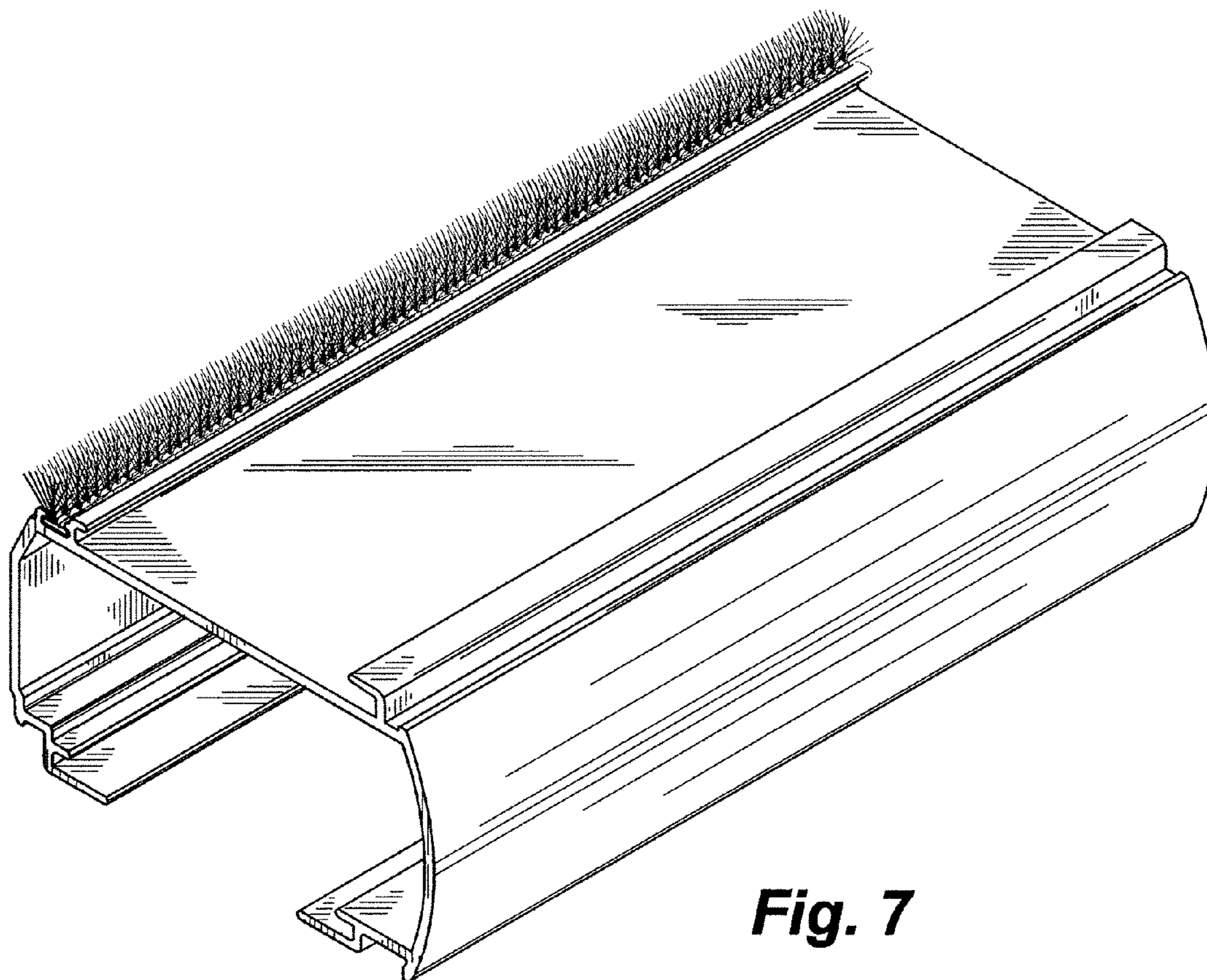


Fig. 7

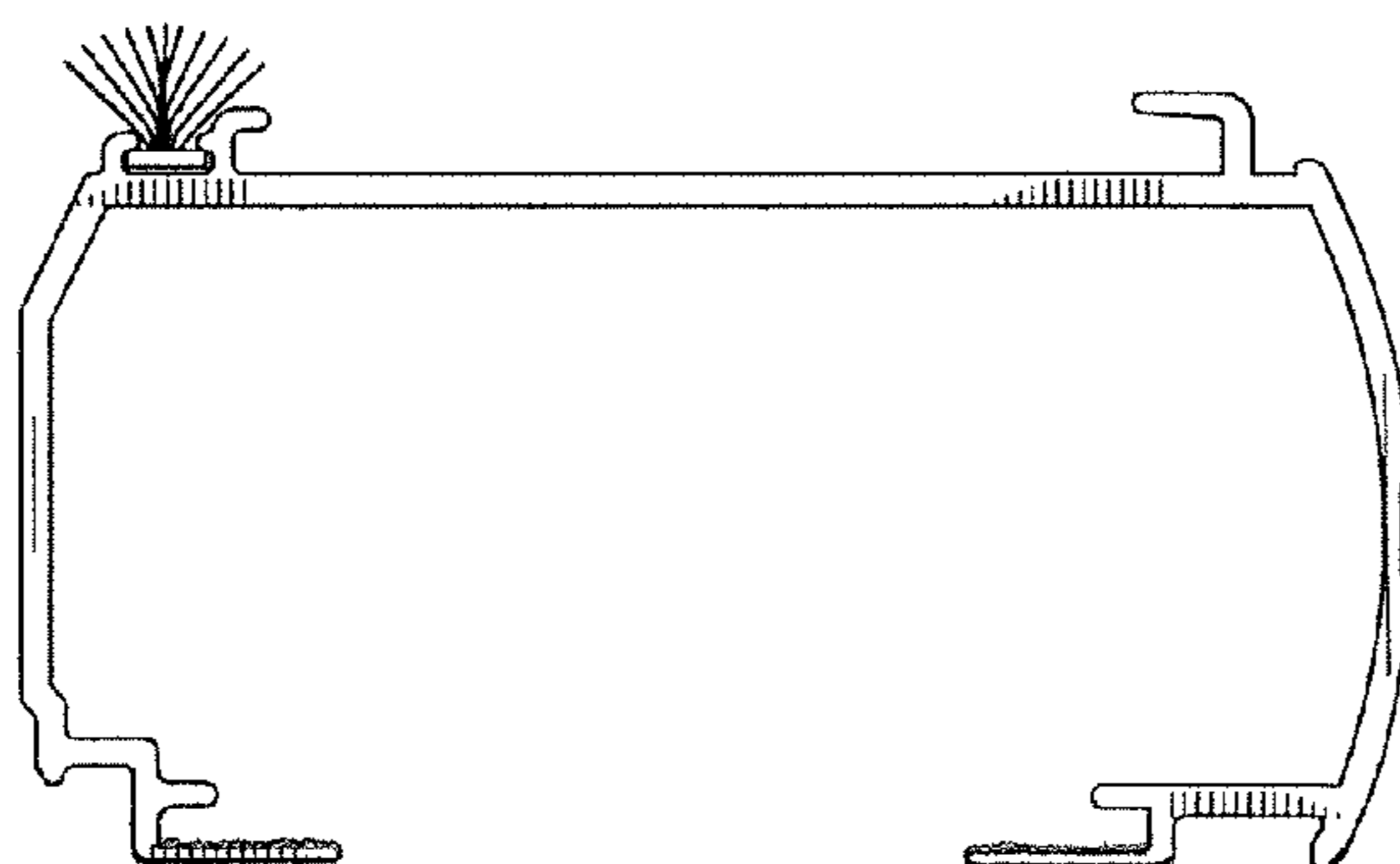


Fig. 8

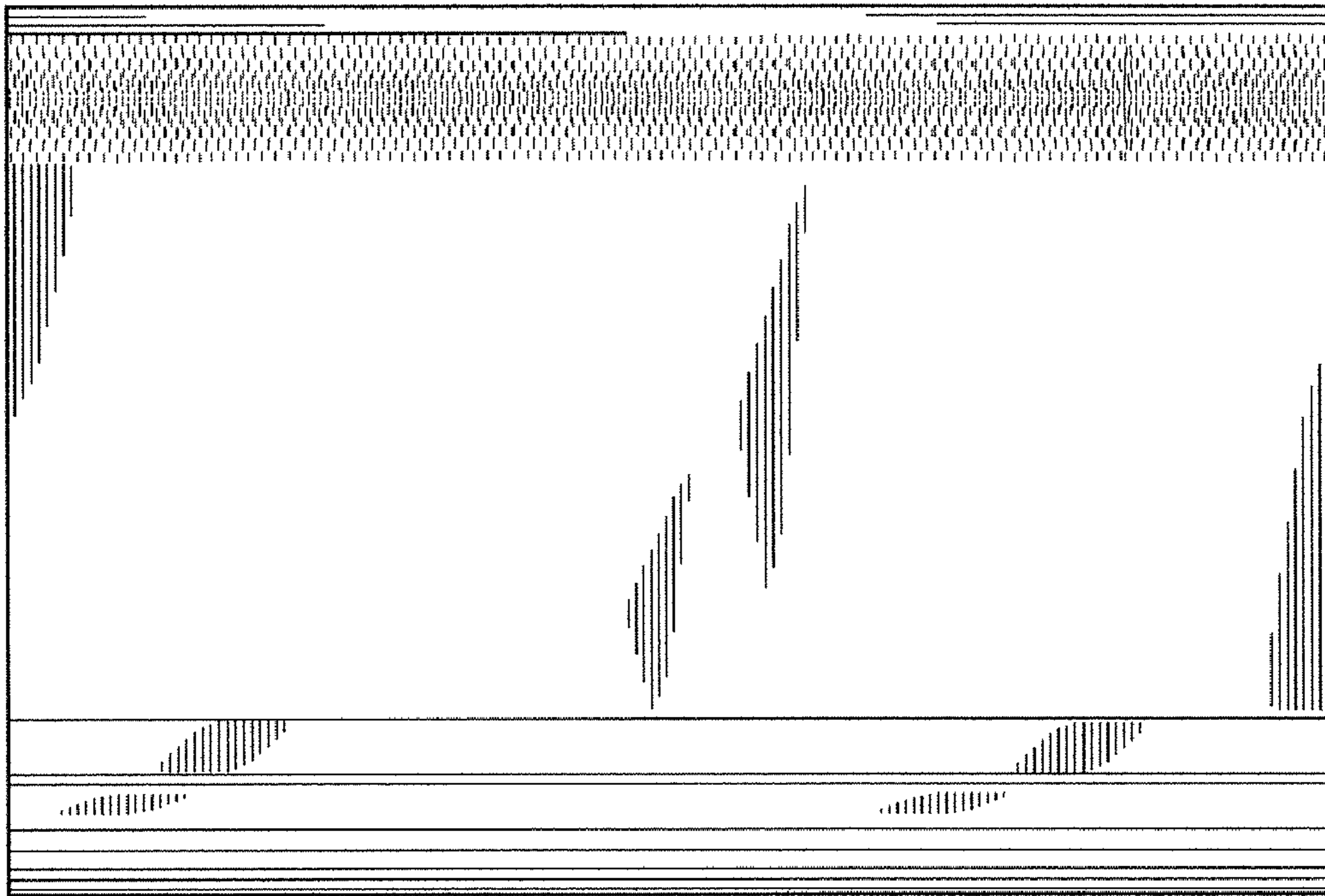


Fig. 10

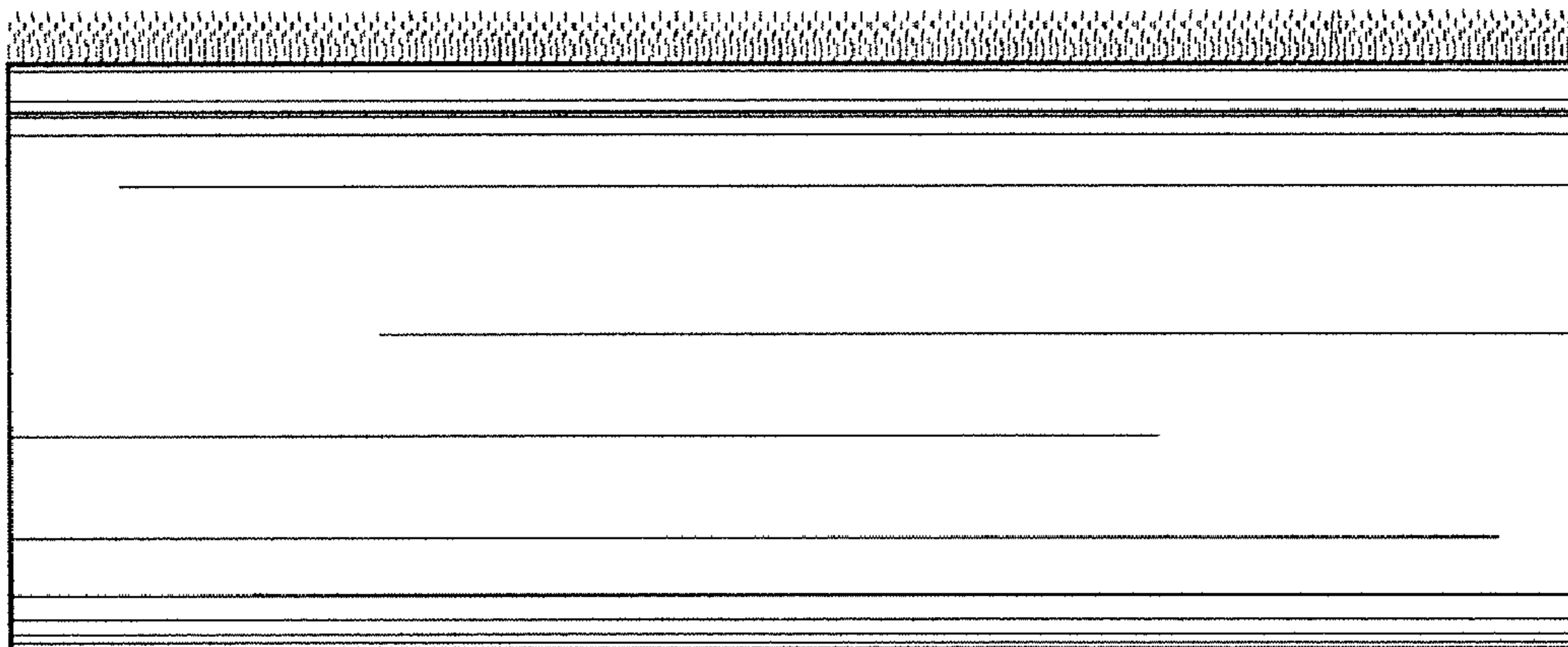


Fig. 9

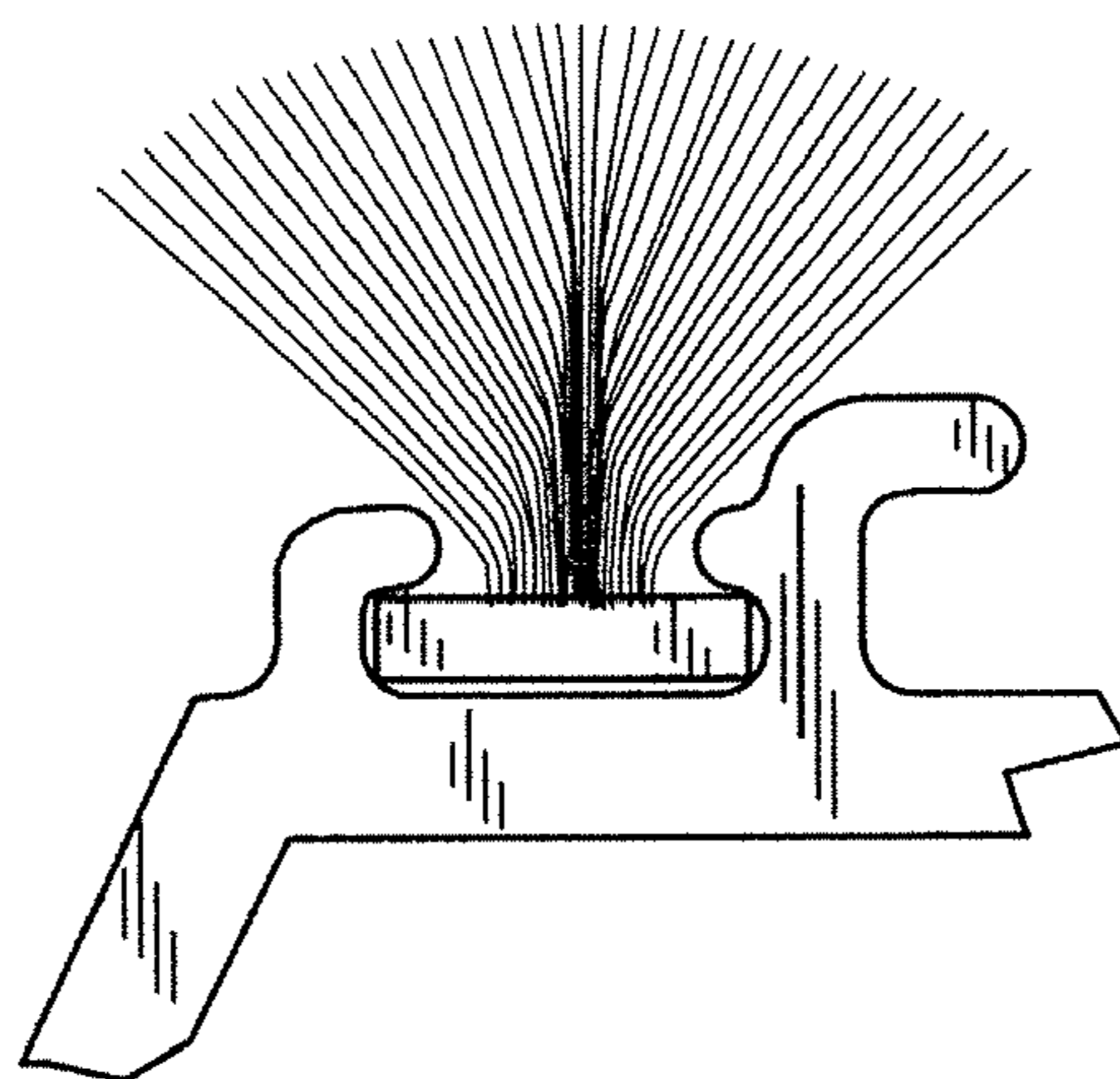


Fig. 12

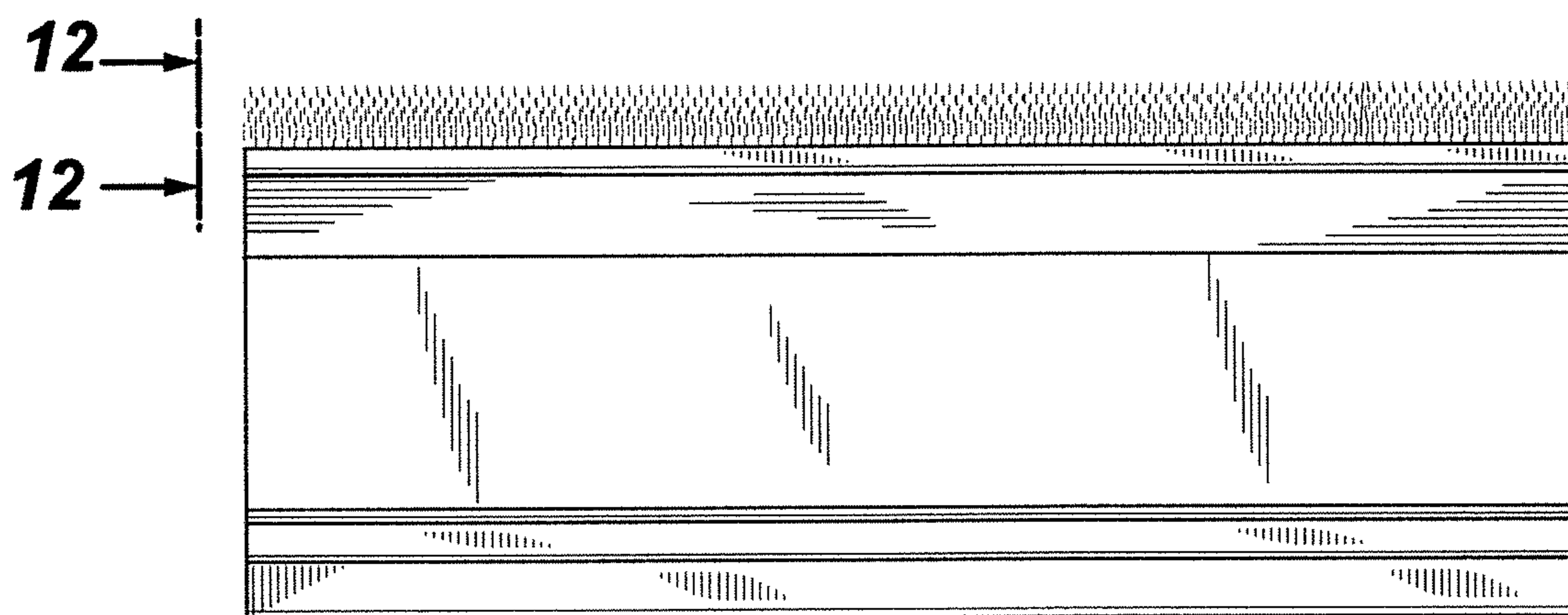


Fig. 11