



US00D600483S

(12) **United States Design Patent**  
**Gravel et al.**

(10) **Patent No.:** **US D600,483 S**  
(45) **Date of Patent:** **\*\* Sep. 22, 2009**

(54) **FURNITURE UNIT**

(75) Inventors: **Donald P. Gravel**, Toronto (CA); **Jian Hong**, Toronto (CA); **John R. Hamilton**, Grand Rapids, MI (US); **Karl J. Mead**, East Grand Rapids, MI (US); **Karl Heinz Müller**, Rosenheim (DE)

(73) Assignee: **Steelcase Development Corporation**, Caledonia, MI (US)

(\*\*) Term: **14 Years**

(21) Appl. No.: **29/310,158**

(22) Filed: **Jul. 29, 2008**

**Related U.S. Application Data**

(62) Division of application No. 29/288,101, filed on May 30, 2007, now Pat. No. Des. 578,817.

(51) **LOC (9) Cl.** ..... **06-04**

(52) **U.S. Cl.** ..... **D6/574**

(58) **Field of Classification Search** ..... D6/524,  
D6/525, 553, 567, 574, 509; 180/28, 29;  
211/13.1, 42, 71.01, 81.01, 88.01, 88.03,  
211/90.01, 126.1, 133.5, 133.6, 134, 182  
See application file for complete search history.

(56) **References Cited**

**U.S. PATENT DOCUMENTS**

2,477,735 A	8/1949	Gentile
2,678,793 A	5/1954	Brochstein
2,998,107 A	8/1961	Zimmerla
3,290,846 A	12/1966	Mader et al.
3,394,507 A	7/1968	Doke
3,407,547 A	10/1968	Doke et al.
3,561,714 A	2/1971	Zurawski et al.
3,563,626 A	2/1971	Ferdinand et al.
3,603,274 A	9/1971	Ferdinand et al.
3,648,419 A	3/1972	Marks

3,714,748 A	2/1973	Costruba
3,848,364 A	11/1974	Costruba
3,925,939 A	12/1975	Costruba
4,010,697 A	3/1977	Einhorn
4,018,167 A	4/1977	Spangler
4,037,896 A	7/1977	Kennedy, Jr. et al.
4,198,913 A	4/1980	Haworth et al.
4,205,815 A	6/1980	Sauer et al.
4,269,005 A	5/1981	Timmons
4,334,483 A	6/1982	Kellogg
4,588,156 A	5/1986	Doke et al.
4,716,699 A	1/1988	Crossman et al.
4,720,069 A	1/1988	Bessinger
4,731,960 A	3/1988	Sease
4,914,873 A	4/1990	Newhouse
5,154,388 A	10/1992	Magaro
5,297,486 A	3/1994	Herrmann et al.
5,406,894 A	4/1995	Herrmann et al.
5,613,449 A	3/1997	Pullman
5,931,429 A	8/1999	Hellwig et al.

(Continued)

*Primary Examiner*—Brian N Vinson

(74) *Attorney, Agent, or Firm*—Price, Heneveld, Cooper, DeWitt & Litton, LLP

(57) **CLAIM**

The ornamental design for a furniture unit, as shown and described.

**DESCRIPTION**

FIG. 1 is a perspective view of a furniture unit, showing our new design;

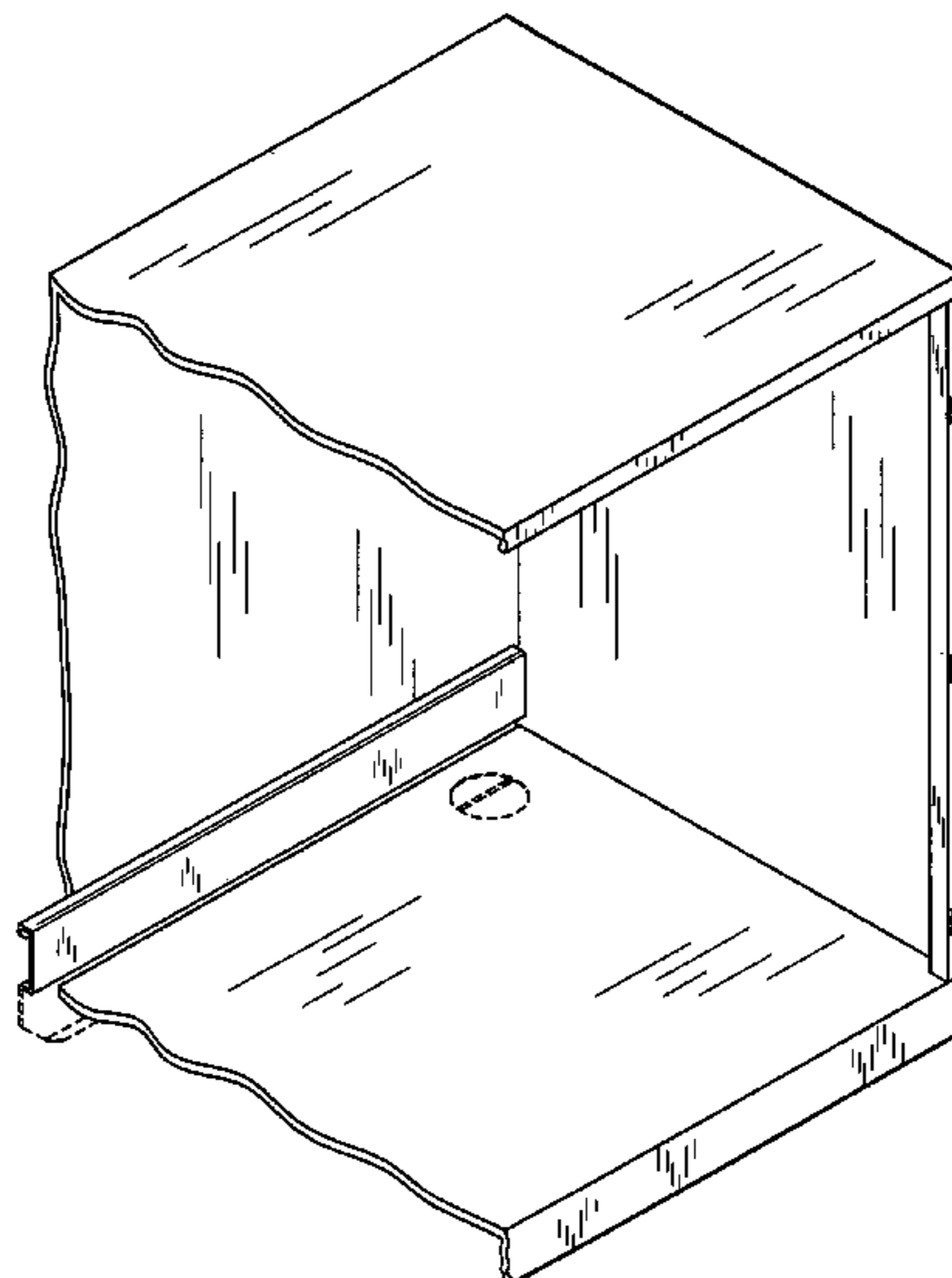
FIG. 2 is a front elevational view of the furniture unit;

FIG. 3 is a top plan view of the furniture unit; and,

FIG. 4 is a left-hand side elevational view of the furniture unit.

The broken line disclosure is understood to be an unclaimed portion of the article in which the claim is embodied, and forms no part of the claimed design.

**1 Claim, 4 Drawing Sheets**



# US D600,483 S

Page 2

---

## U.S. PATENT DOCUMENTS

6,019,331	A	2/2000	Hoogland et al.	6,702,128	B2	3/2004	Winig et al.
6,138,583	A	10/2000	Mahone et al.	6,711,871	B2	3/2004	Beirise et al.
D436,782	S *	1/2001	Rapp ..... D6/574	6,918,496	B1	7/2005	Henson, III
D437,716	S *	2/2001	Chau et al. .... D6/509	D509,393	S *	9/2005	Winig et al. .... D6/574
6,202,966	B1	3/2001	MacDonald et al.	D520,795	S *	5/2006	Kivett ..... D6/574
6,315,135	B1	11/2001	Stuart	D546,103	S	7/2007	Eyman et al.
6,446,396	B1	9/2002	Marangoni et al.	D549,026	S *	8/2007	Parshad ..... D6/574
6,487,978	B1	12/2002	Hamberg	D553,891	S	10/2007	Forney
6,581,788	B1	6/2003	Winig et al.	D557,955	S *	12/2007	Parshad ..... D6/509
6,672,226	B2	1/2004	Bohnacker	D557,963	S	12/2007	Hoernig

\* cited by examiner

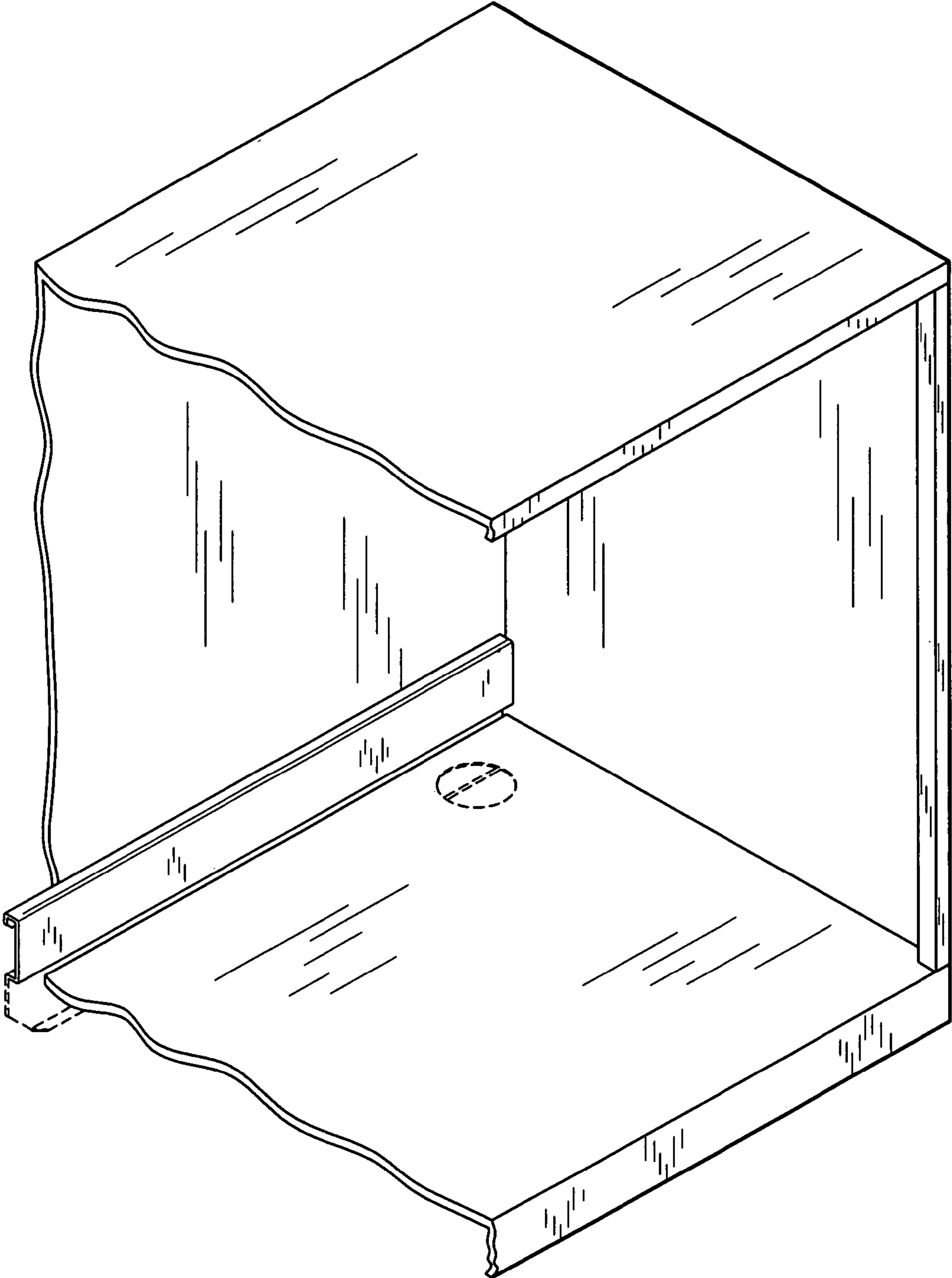


FIG. 1

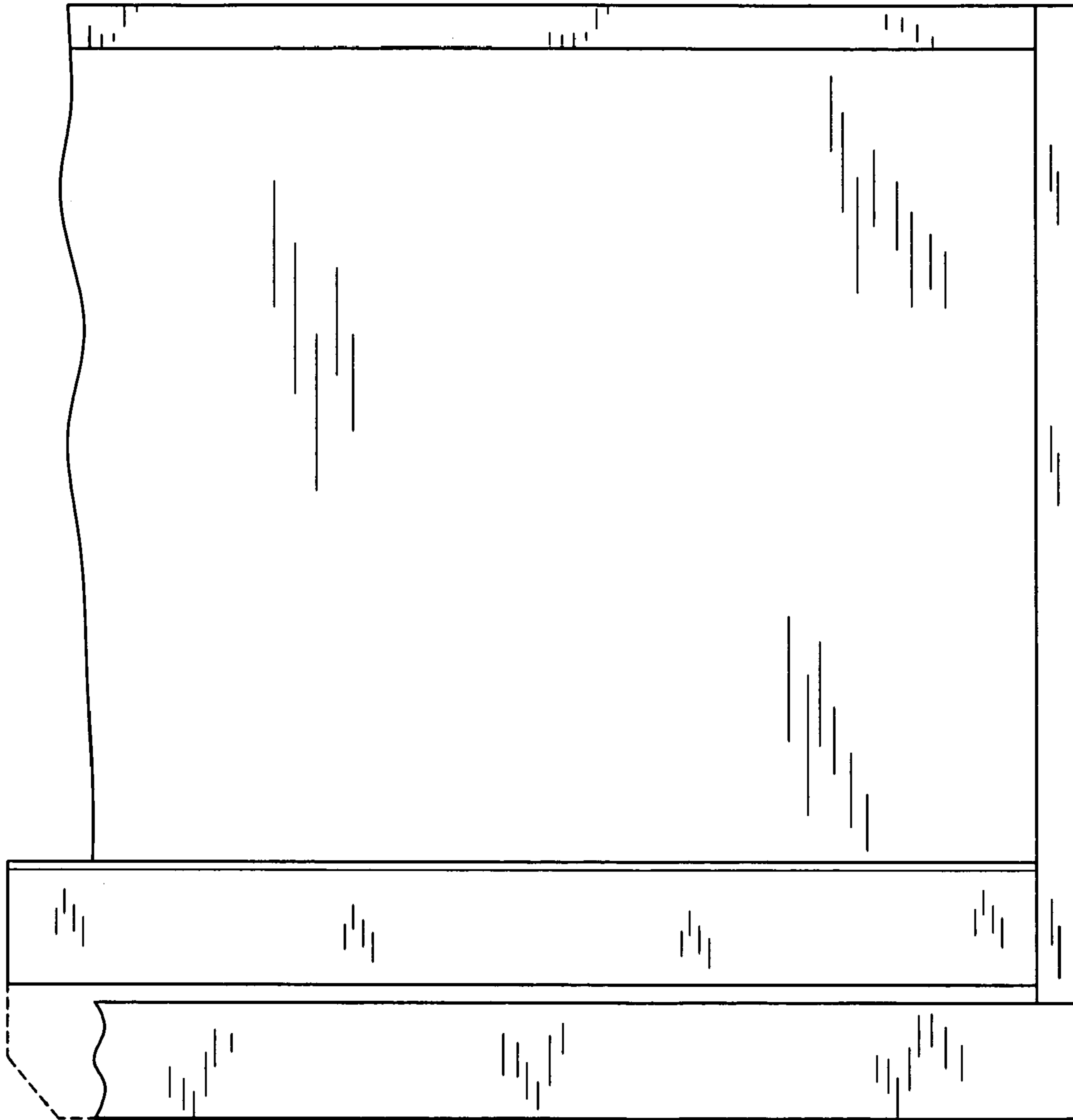


FIG. 2

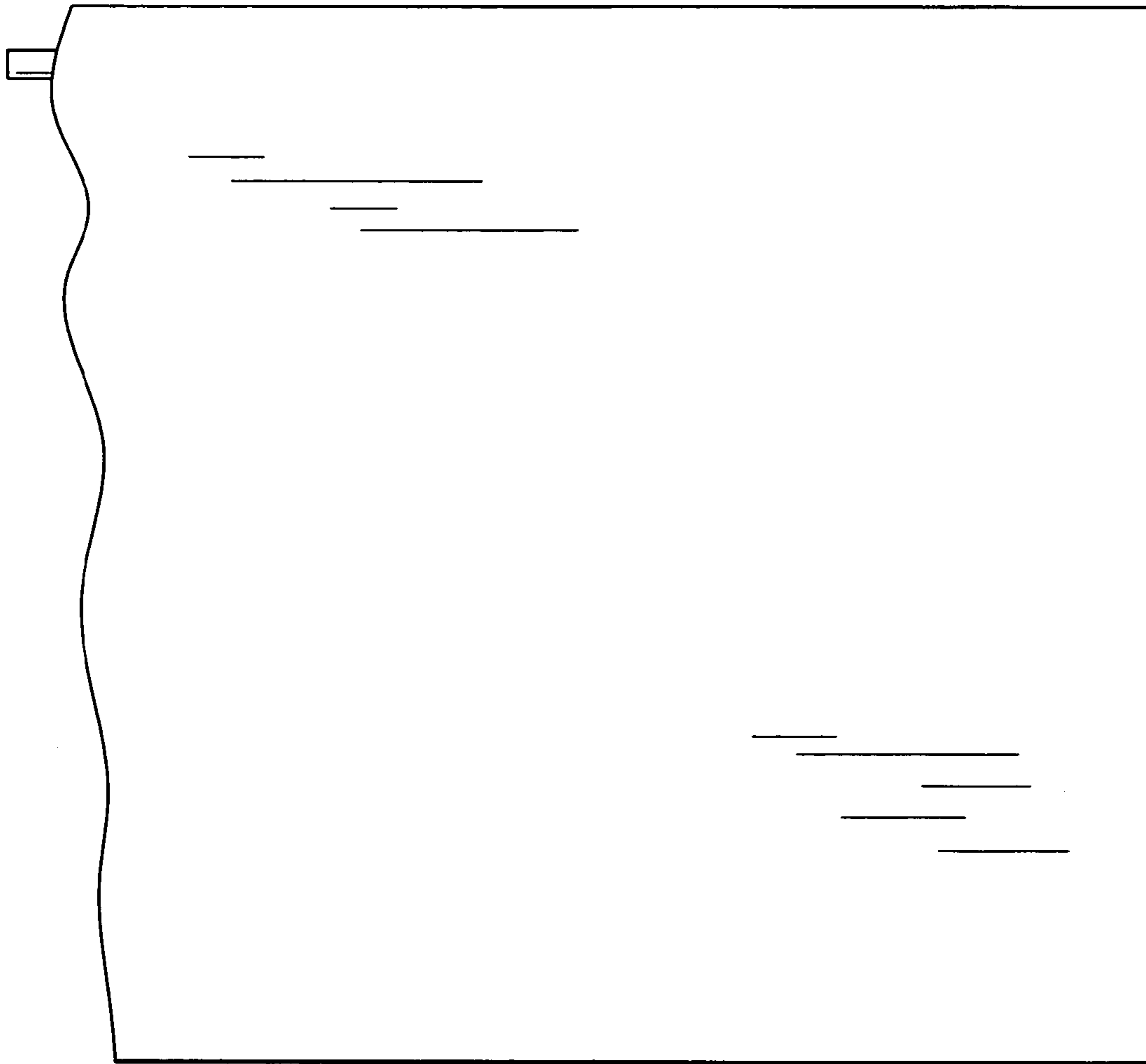


FIG. 3

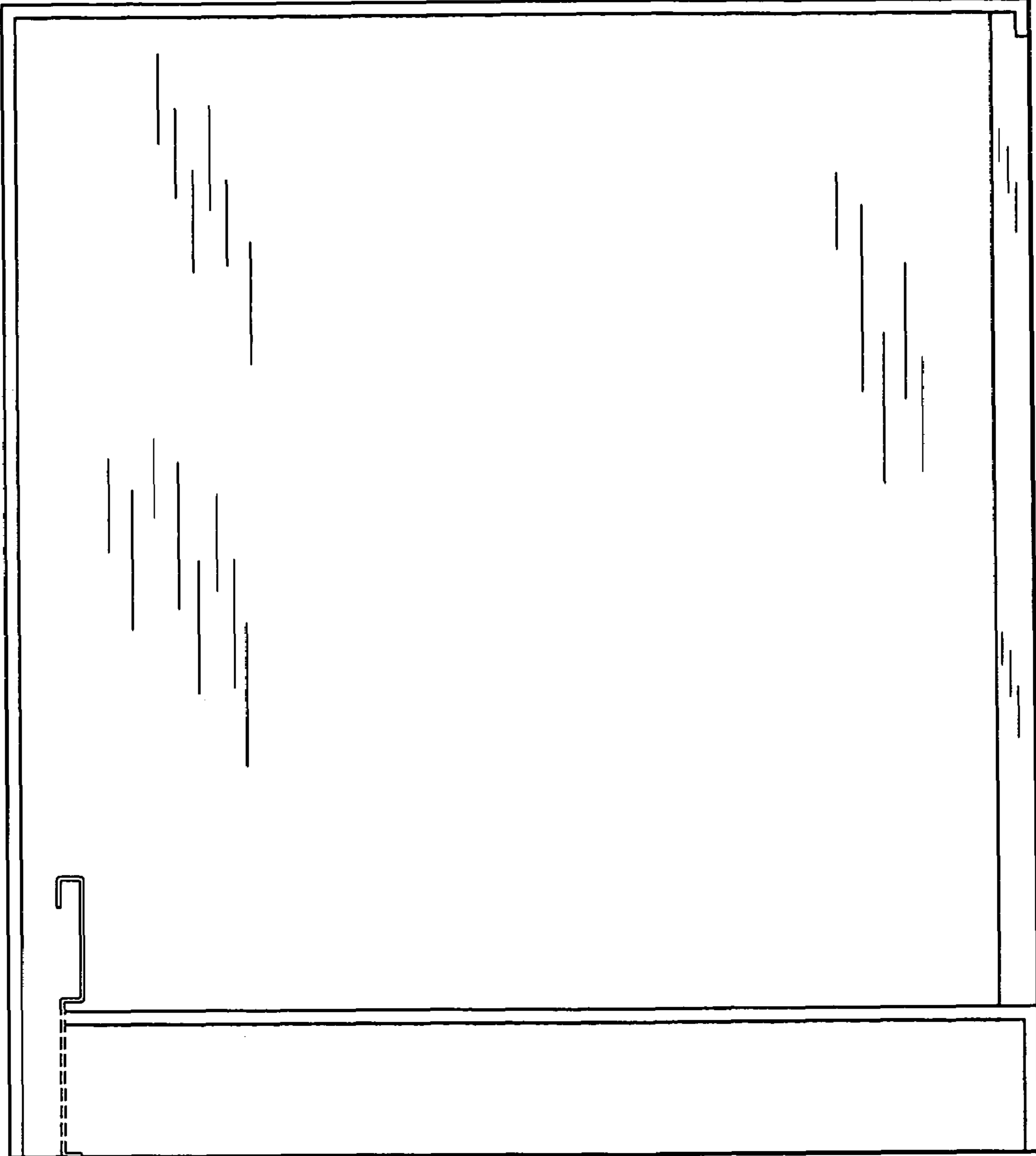


FIG. 4

**UNITED STATES PATENT AND TRADEMARK OFFICE**  
**Certificate**

Patent No. D.600,483 S

Patented: September 22, 2009

On petition requesting issuance of a certificate for correction of inventorship pursuant to 35 U.S.C. 256, it has been found that the above identified patent, through error and without any deceptive intent, improperly sets forth the inventorship.

Accordingly, it is hereby certified that the correct inventorship of this patent is: John R. Hamilton, San Rafael, CA (US); Karl J. Mead, East Grand Rapids, MI (US); and Andre K. Dettler, Brooklyn, NY (US).

Signed and Sealed this Thirtieth day of November 2010.

CARON VEYNAR  
*Supervisory Patent Examiner*  
Art Unit 2913  
Technology Center 2900