



US00D600482S

(12) **United States Design Patent**
St. John

(10) **Patent No.:** **US D600,482 S**
(45) **Date of Patent:** **** Sep. 22, 2009**

(54) **ARCHERY TARGET STAND**

D588,851 S * 3/2009 Morales D6/552

(75) Inventor: **Charles L. St. John**, North Vernon, IN (US)

(73) Assignee: **3D Archery Products, LLC**, North Vernon, IN (US)

(**) Term: **14 Years**

(21) Appl. No.: **29/304,969**

(22) Filed: **Mar. 11, 2008**

(51) **LOC (9) Cl.** **08-08**

(52) **U.S. Cl.** **D6/552**

(58) **Field of Classification Search** D6/329,
D6/396, 417, 552, 553, 567; D21/385, 662,
D21/698; 211/13.1, 49.1, 60.1, 64, 70.5,
211/86.01, 87.01, 88.01, 89.01, 181.1; 248/560,
248/121, 175, 200, 302, 304, 309.1, 310,
248/312

See application file for complete search history.

(56) **References Cited**

U.S. PATENT DOCUMENTS

2,593,789	A *	4/1952	Pearson	211/60.1
3,313,505	A *	4/1967	Petrie	248/121
D349,545	S *	8/1994	Cehovin et al.	D6/552
5,370,240	A *	12/1994	Hand	211/13.1
5,725,106	A *	3/1998	Wilson	211/13.1
5,862,924	A *	1/1999	Dumont	D6/552
D499,920	S *	12/2004	Hoag et al.	D6/552

OTHER PUBLICATIONS

Bowtree Archery Stand—web page: www.bowtree.com/servlet/Detail?n=33.

The GlenDale Grand Stand Archery Stand—web page: www.fieldlogic.com/glende_pages/grandStand.html.

* cited by examiner

Primary Examiner—Brian N Vinson

(74) *Attorney, Agent, or Firm*—Woodard, Emhardt, Moriarty, McNett & Henry LLP

(57) **CLAIM**

The ornamental design for a archery target stand, as shown and described.

DESCRIPTION

The archery target stand is for holding an upright archery target.

FIG. 1 is a perspective view of the archery target stand incorporating my new design;

FIG. 2 is a front view thereof;

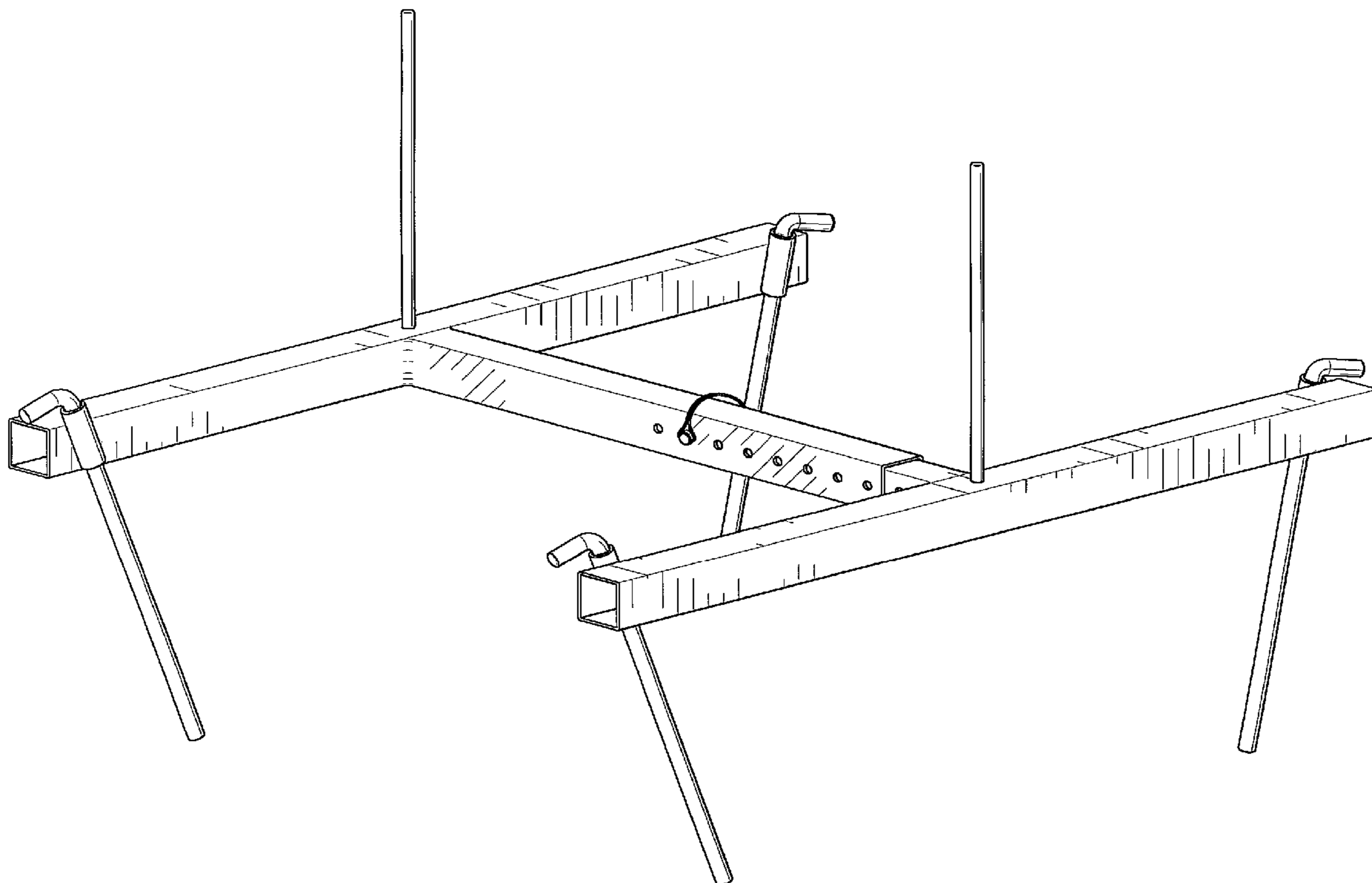
FIG. 3 is a rear view thereof;

FIG. 4 is a top view thereof;

FIG. 5 is a bottom view thereof; and,

FIG. 6 is an end view thereof with the opposite end being a mirror image.

1 Claim, 6 Drawing Sheets



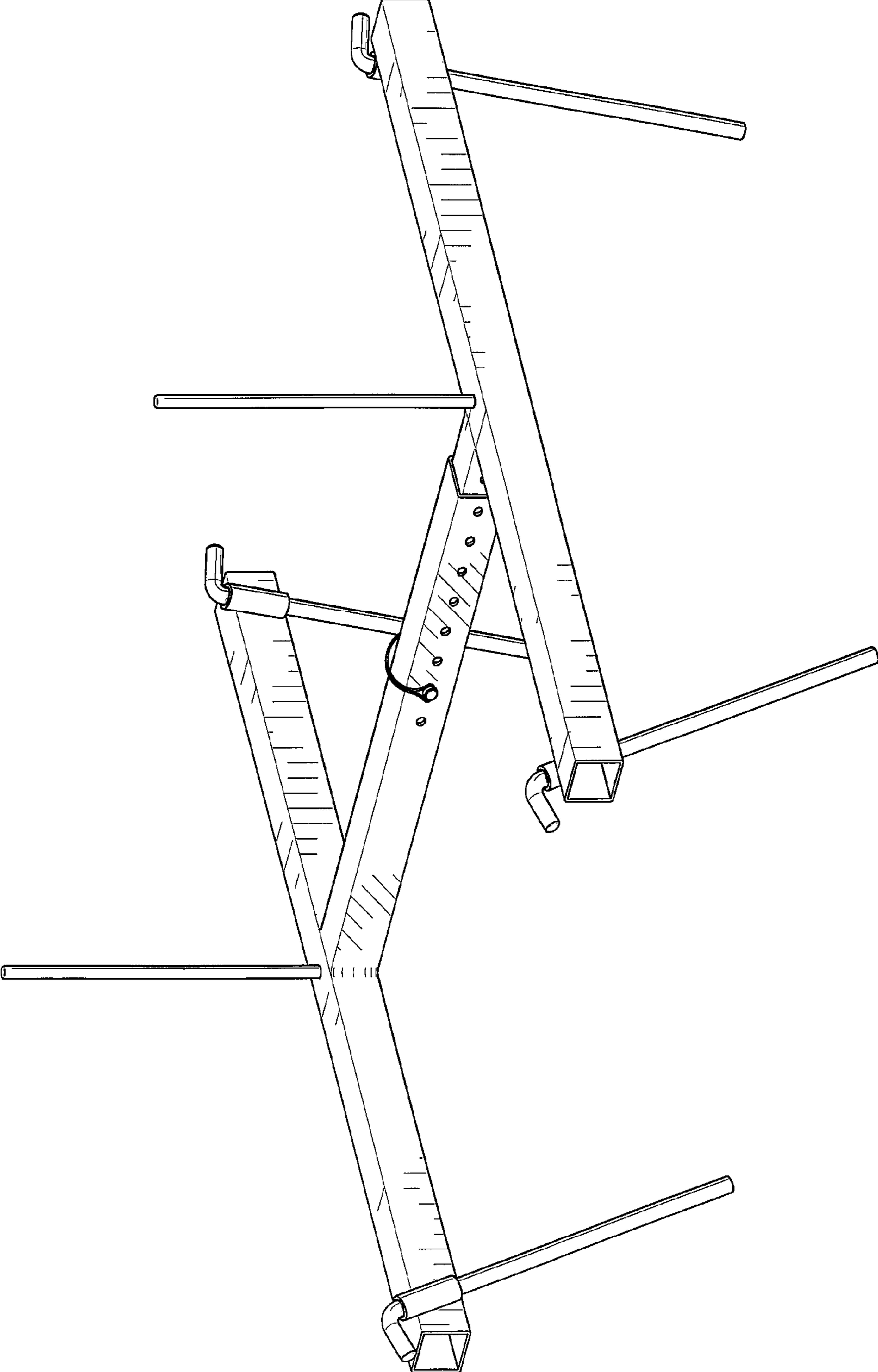


Fig. 1

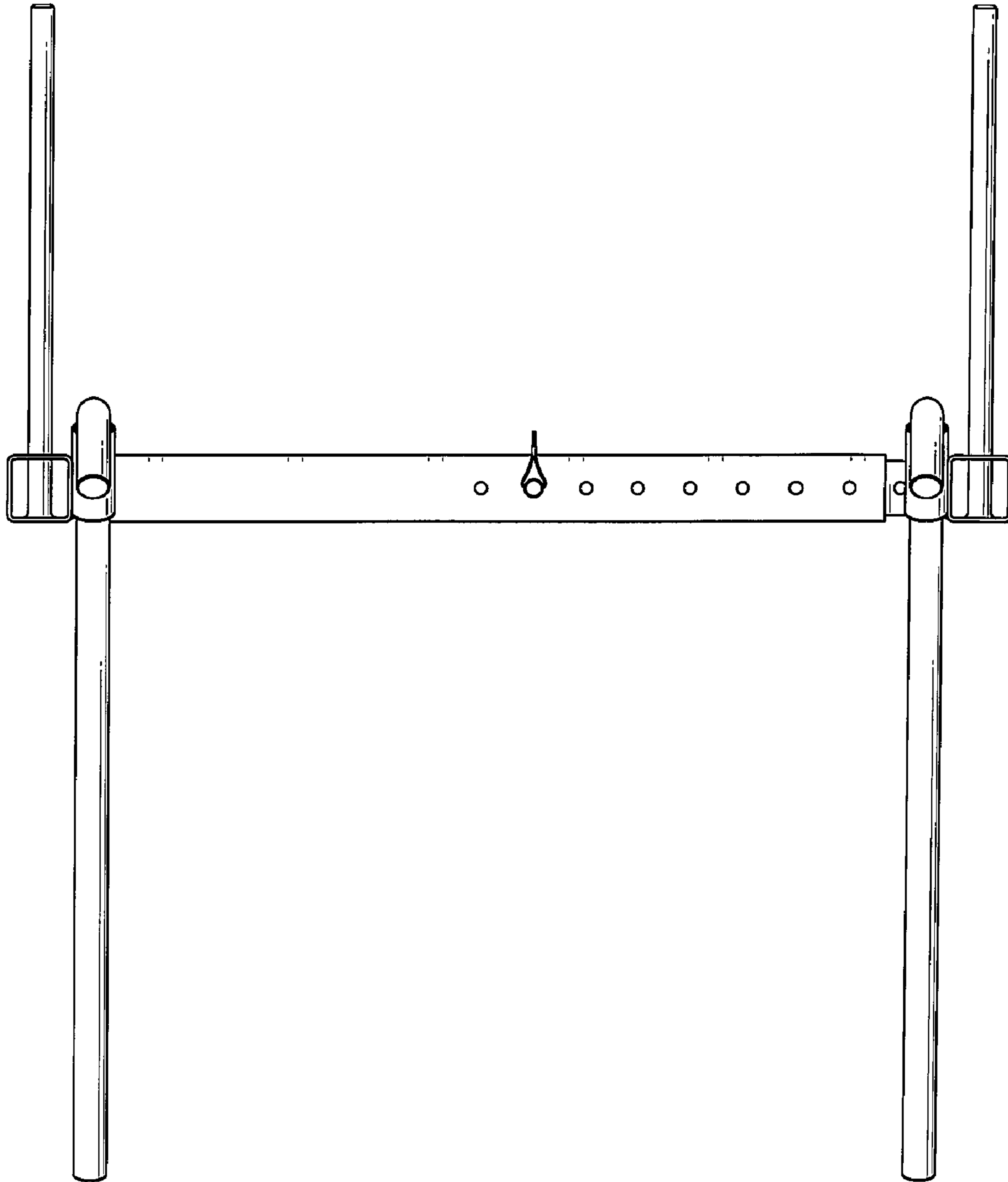


Fig. 2

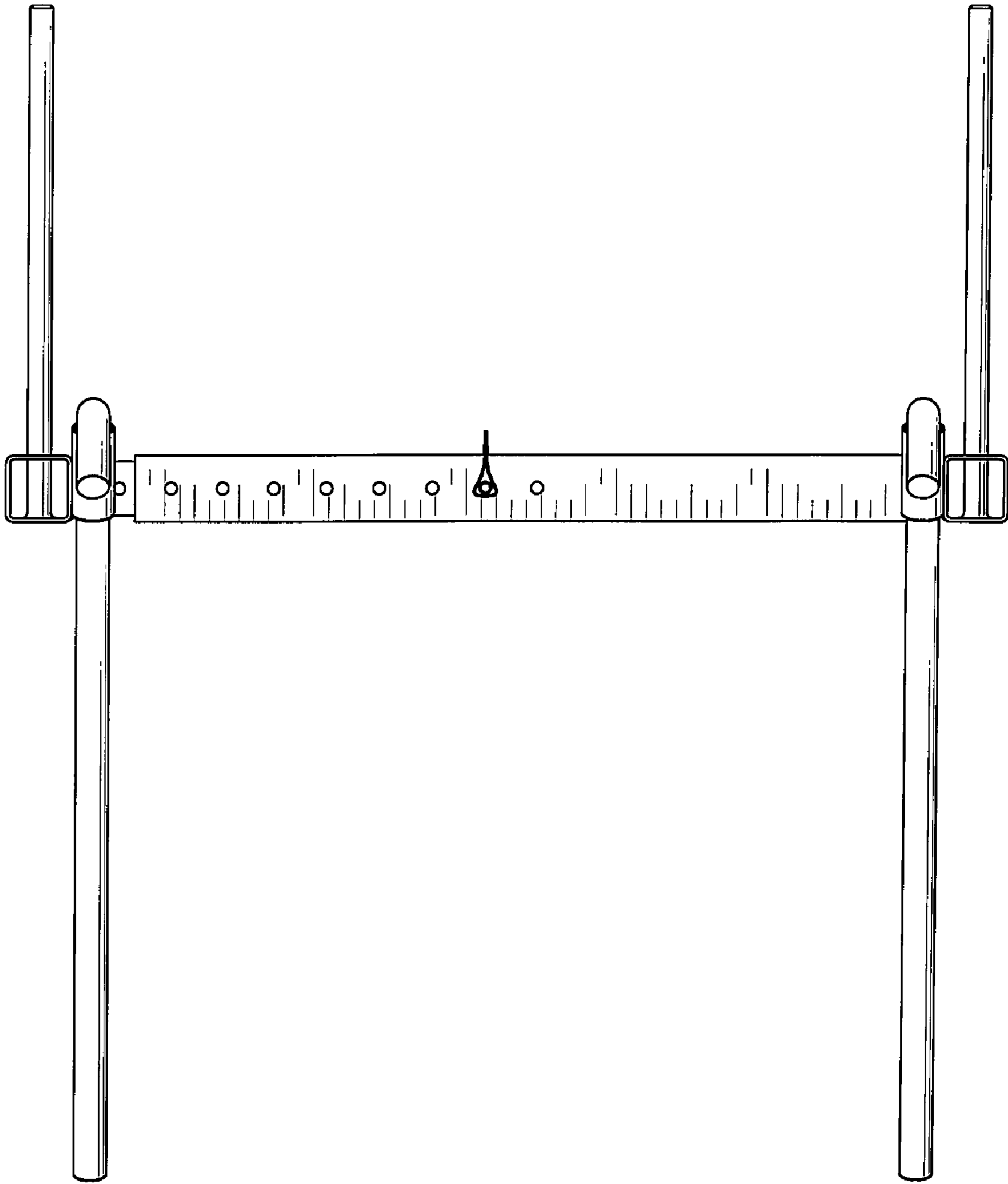


Fig. 3

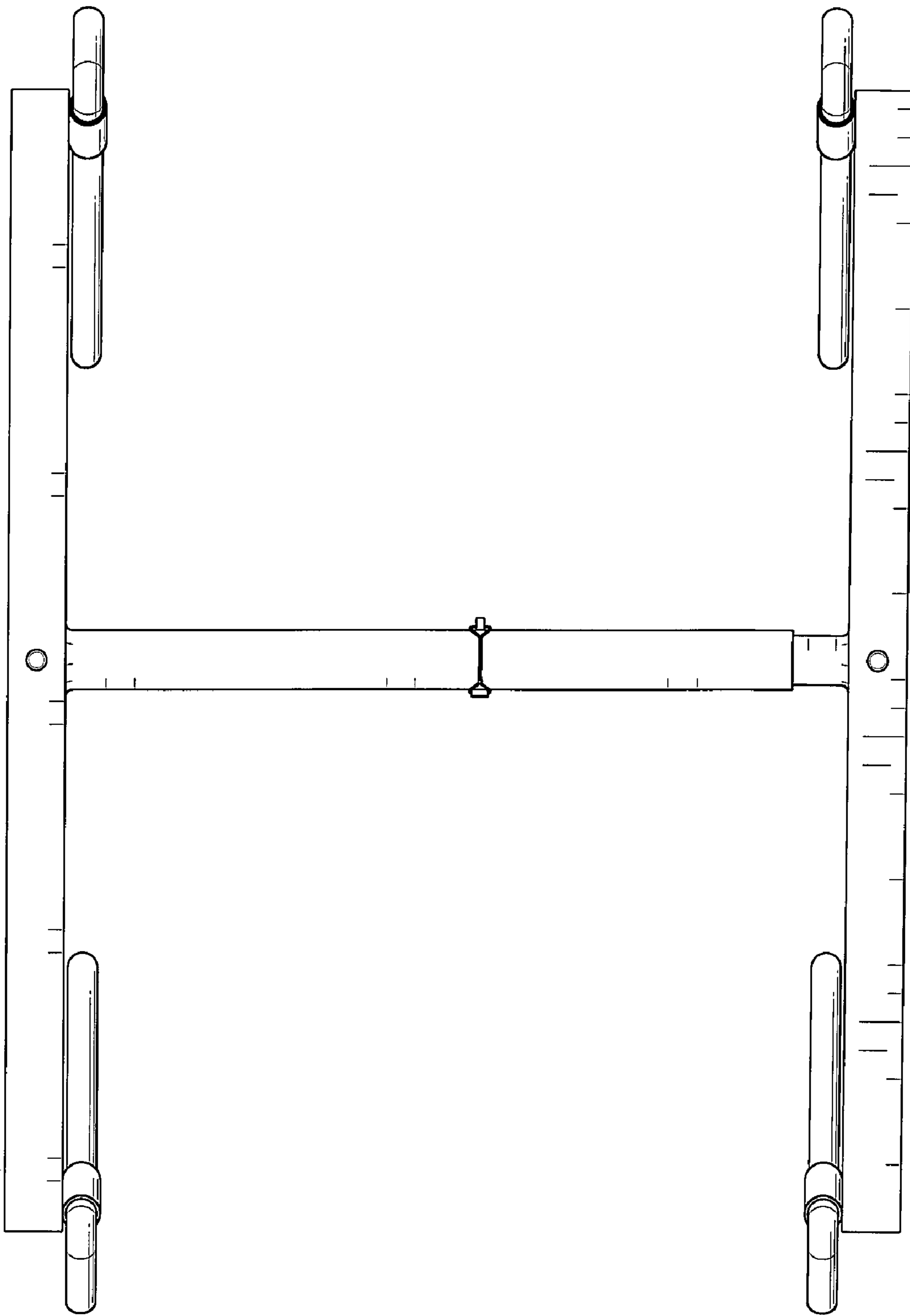


Fig. 4

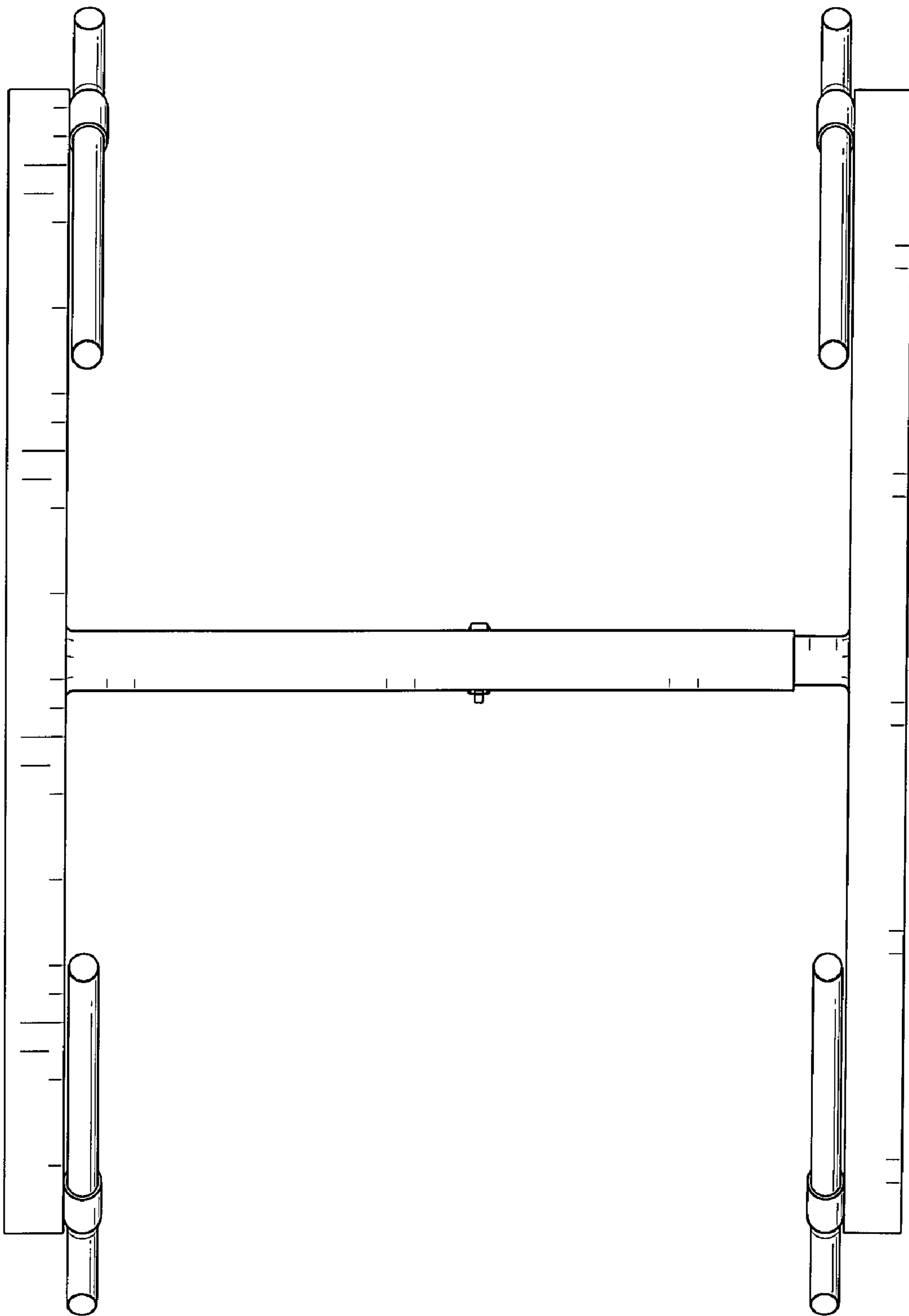


Fig. 5

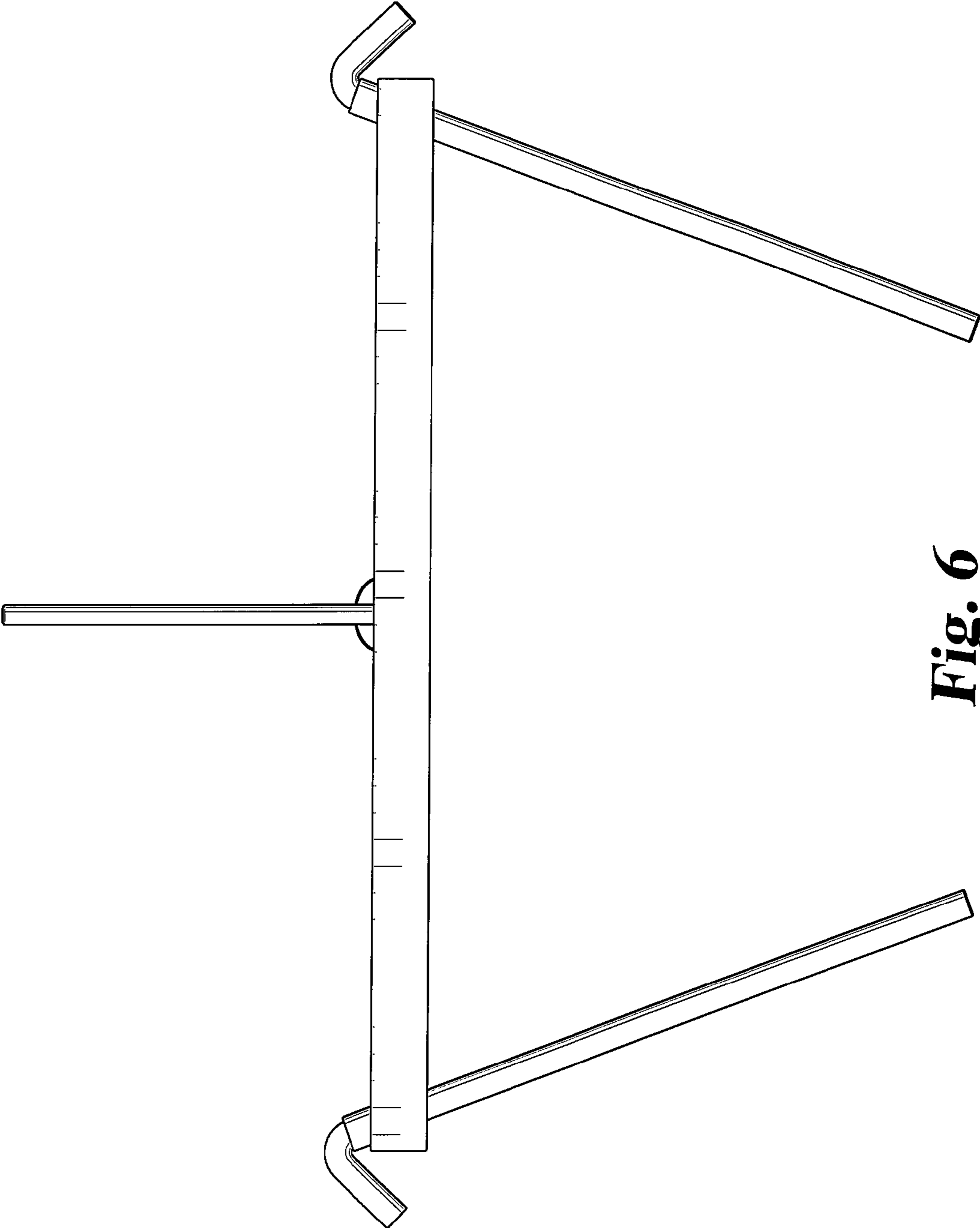


Fig. 6