

US00D600481S

(12) **United States Design Patent**
Yoo

(10) **Patent No.:** **US D600,481 S**

(45) **Date of Patent:** **** Sep. 22, 2009**

(54) **TOWEL RING**

(75) Inventor: **Man Ki Yoo**, Morton Grove, IL (US)

(73) Assignee: **Liberty Hardware Mfg. Corp.**,
Winston-Salem, NC (US)

(**) Term: **14 Years**

(21) Appl. No.: **29/330,929**

(22) Filed: **Jan. 16, 2009**

(51) **LOC (9) Cl.** **06-04**

(52) **U.S. Cl.** **D6/546**

(58) **Field of Classification Search** D6/518-524,
D6/546-550; D8/300, 370, 315; 108/28-29;
211/13.1, 16, 85.5, 86.01, 87.01, 88.04, 100,
211/105.1, 105.2, 106, 113, 123, 181.1, 182-183;
248/49, 175, 176.1, 200, 201, 205.1, 251,
248/302, 309.1, 315; 242/570, 590, 595-598
See application file for complete search history.

(56) **References Cited**

U.S. PATENT DOCUMENTS

D464,832 S * 10/2002 Moore D6/546
D465,368 S * 11/2002 Moore D6/546

D505,819 S * 6/2005 Hoernig D6/546
D529,741 S * 10/2006 Hoernig D6/546
D540,085 S * 4/2007 Krumpel et al. D6/546
D546,606 S * 7/2007 Berberet D6/550
D577,938 S * 10/2008 Krumpel D6/546

* cited by examiner

Primary Examiner—Brian N Vinson

(74) *Attorney, Agent, or Firm*—Edgar A. Zarins; Nirav D. Parikh

(57) **CLAIM**

The ornamental design for a towel ring, as shown and described.

DESCRIPTION

FIG. 1 is a perspective view of a towel ring showing my new design;

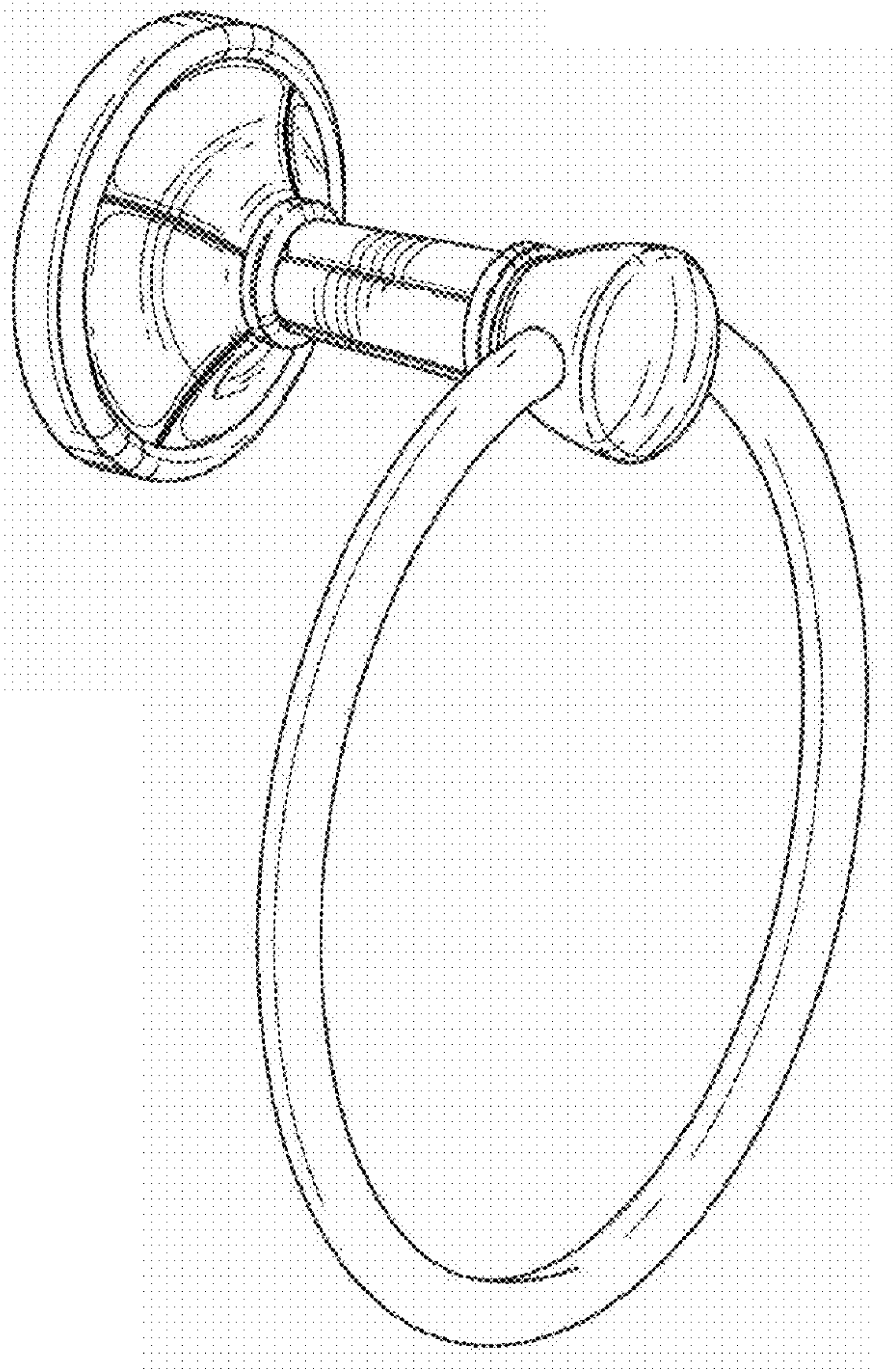
FIG. 2 is a front elevational view thereof;

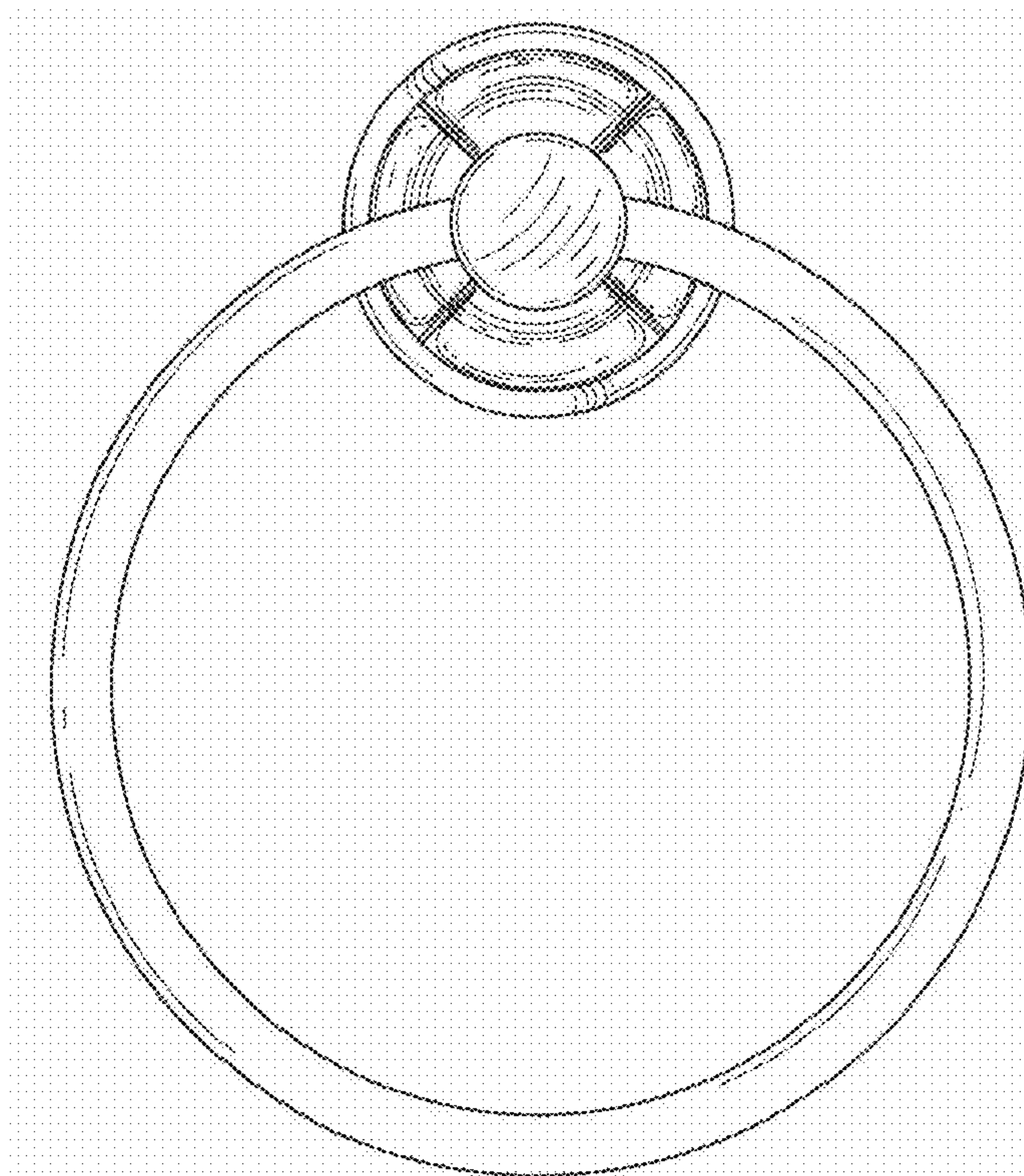
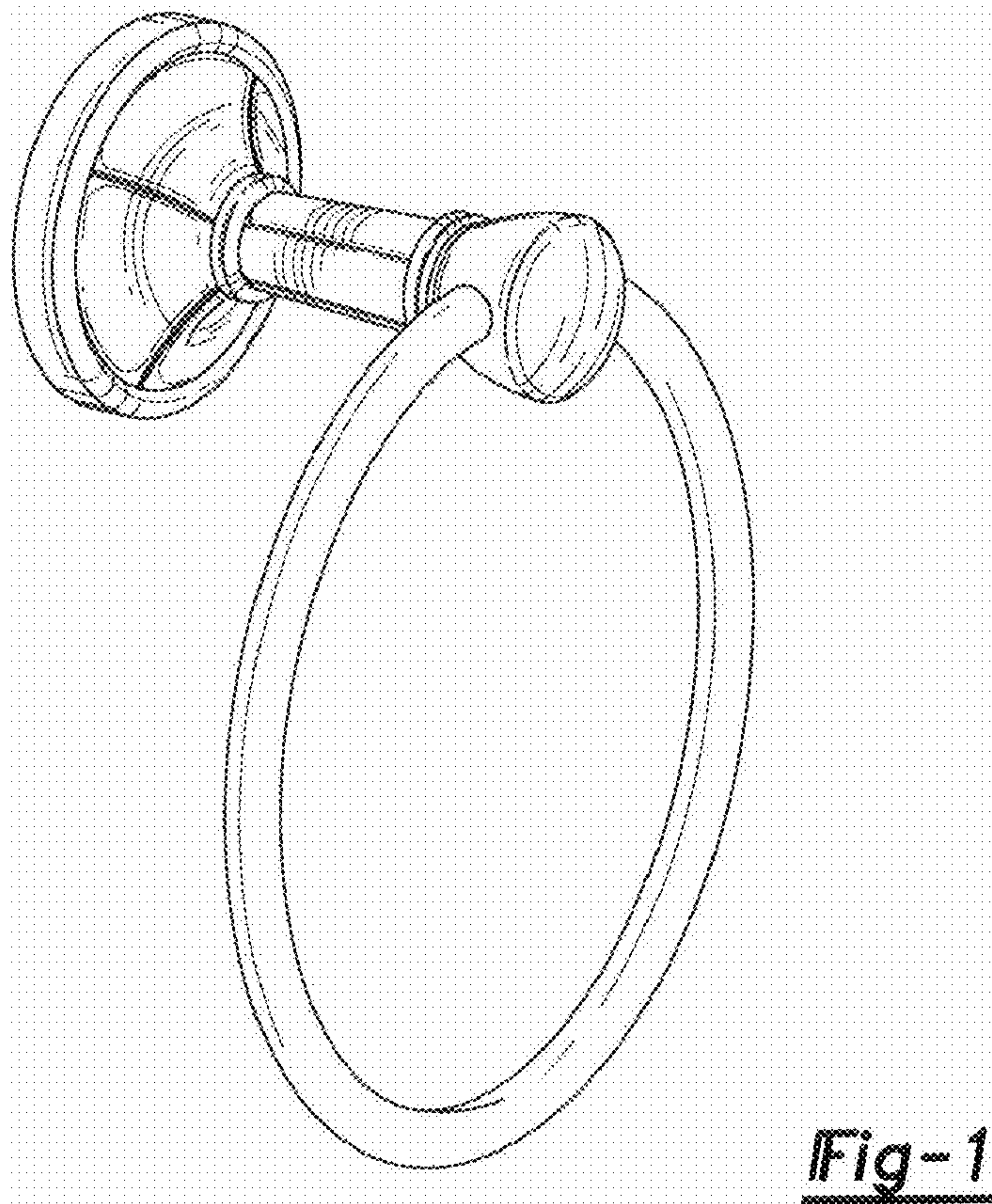
FIG. 3 is a right side view thereof; the opposite side being a mirror image of the side shown;

FIG. 4 is a top plan view thereof; and,

FIG. 5 is a bottom plan view thereof.

1 Claim, 2 Drawing Sheets





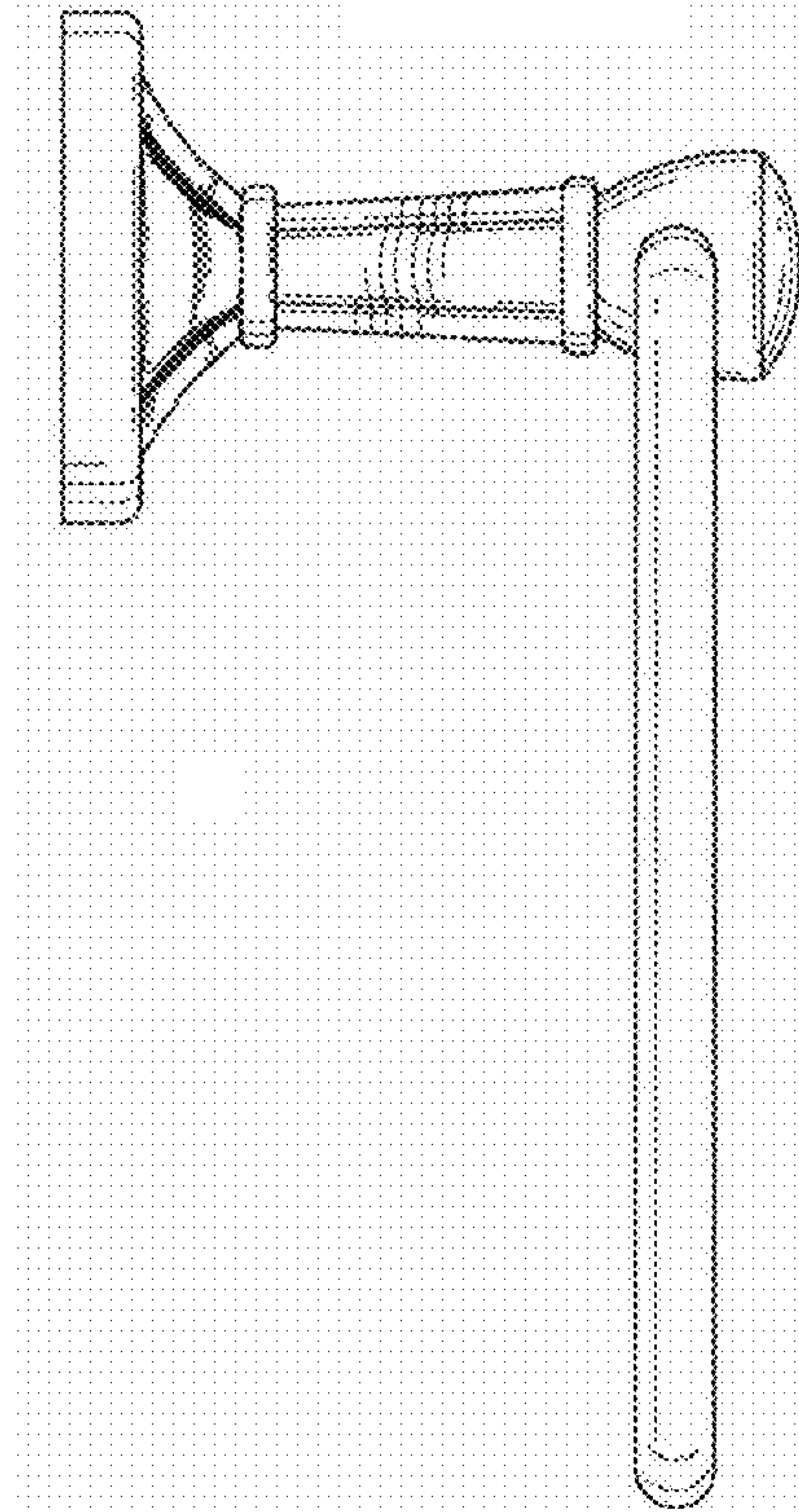


Fig-3

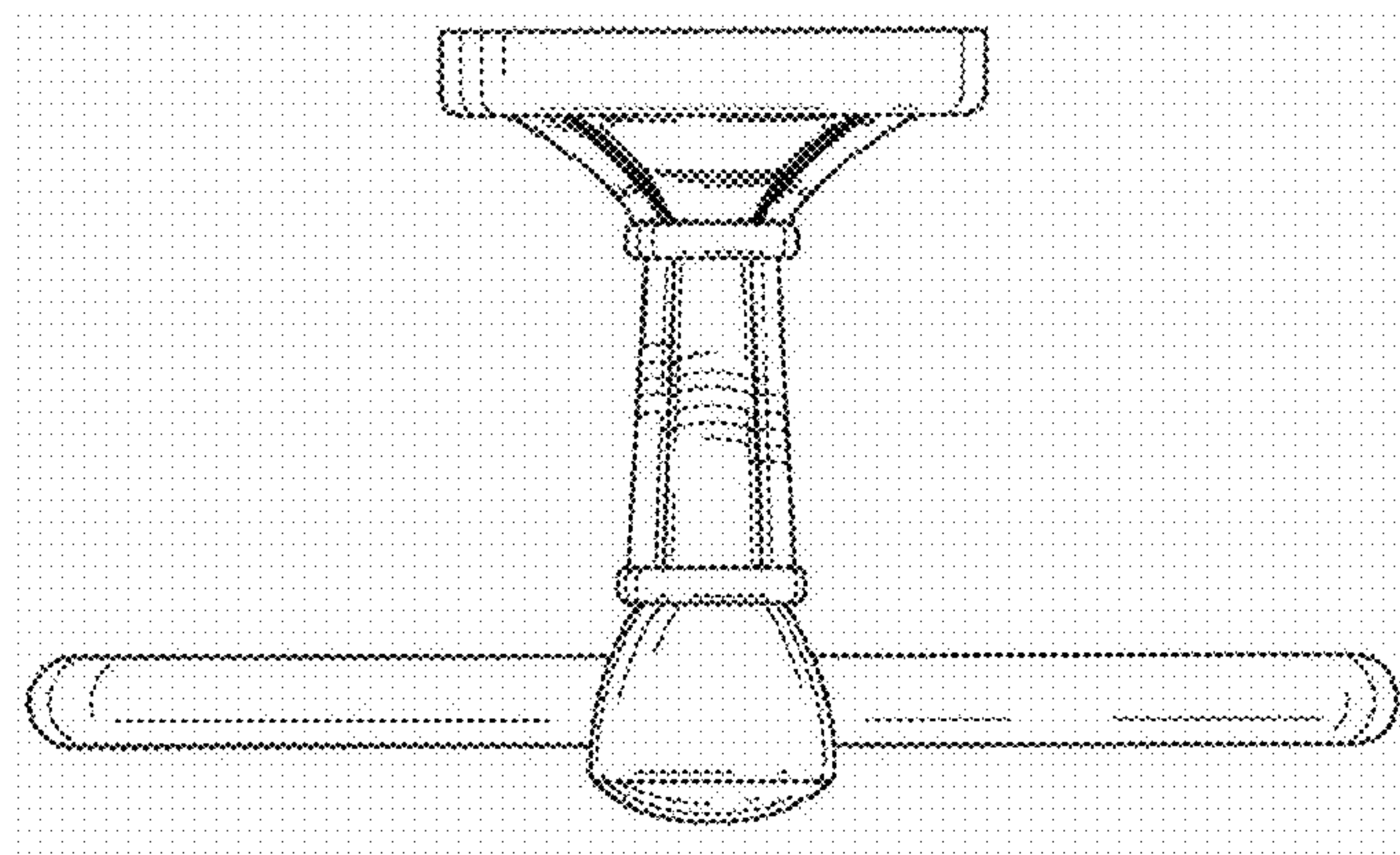


Fig-4

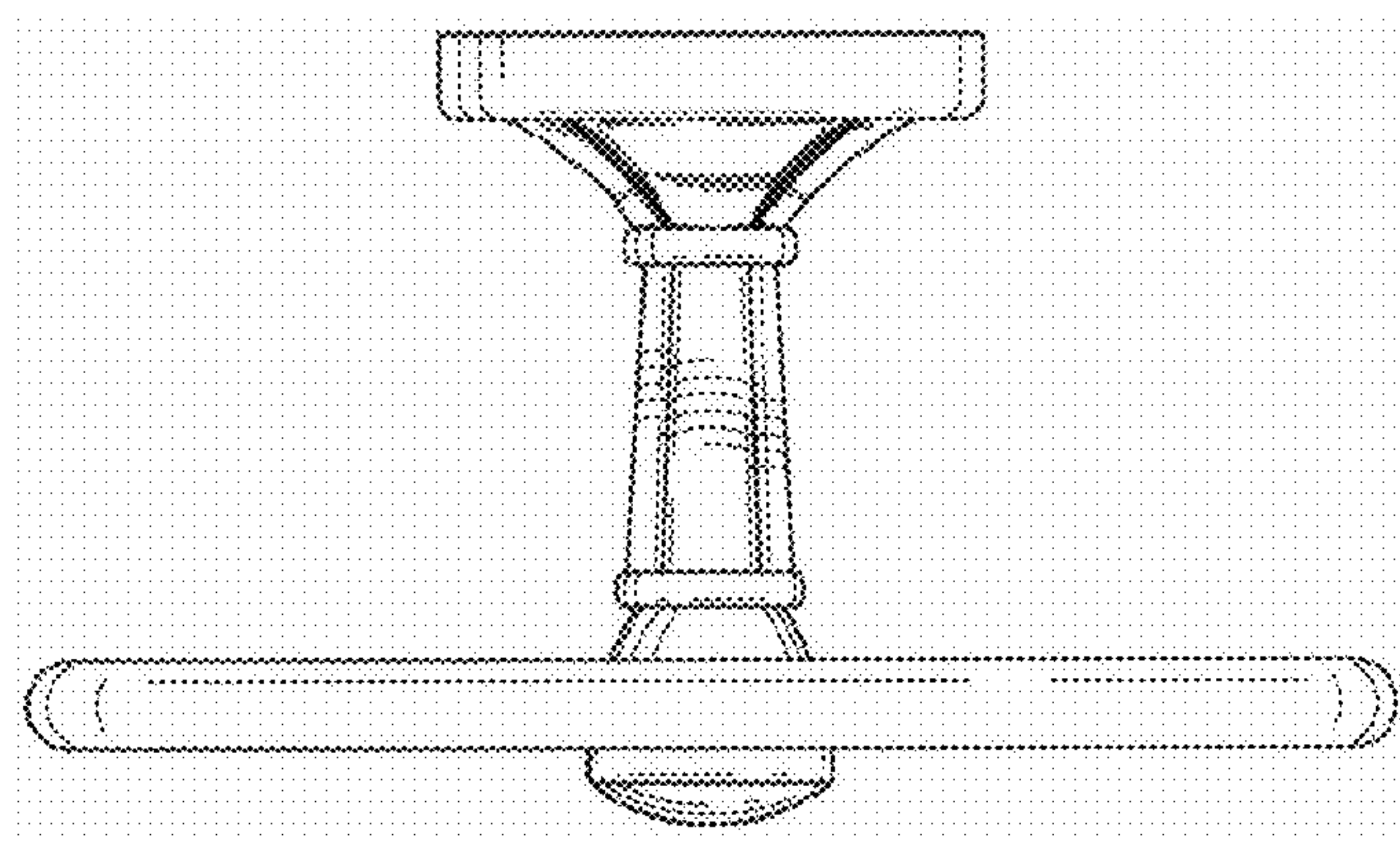


Fig-5