



US00D600479S

(12) **United States Design Patent**
Gao

(10) **Patent No.:** **US D600,479 S**
(45) **Date of Patent:** **** Sep. 22, 2009**

(54) **BASE**

(75) Inventor: **Wu Qin Gao**, Qingdao (CN)

(73) Assignee: **Globe Union Industrial Corp.**,
Taichung (TW)

(**) Term: **14 Years**

(21) Appl. No.: **29/337,532**

(22) Filed: **May 25, 2009**

(51) **LOC (9) Cl.** **23-02**

(52) **U.S. Cl.** **D6/524**

(58) **Field of Classification Search** D6/546-550,
D6/518-519, 522-524; 211/13.1, 16, 60.1,
211/86.01, 87.01, 88.01, 88.04, 100, 105.1,
211/105.2, 123, 181.1, 182; D8/300, 303,
D8/315-321; 248/175, 176.1, 251, 302;
242/570, 590, 595-598; 16/110.1, 412, 415
See application file for complete search history.

(56) **References Cited**

U.S. PATENT DOCUMENTS

| | | | | |
|--------------|---------|---------|-------|--------|
| D463,936 S * | 10/2002 | Chen | | D6/550 |
| D476,181 S * | 6/2003 | Yeh | | D6/524 |
| D478,754 S * | 8/2003 | Moore | | D6/524 |
| D564,270 S * | 3/2008 | Gilbert | | D6/524 |
| D575,565 S * | 8/2008 | Gilbert | | D6/524 |

* cited by examiner

Primary Examiner—Brian N Vinson

(74) *Attorney, Agent, or Firm*—Leong C. Lei

(57) **CLAIM**

The ornamental design for a base, as shown and described.

DESCRIPTION

FIG. 1 is a top, front, and left side perspective view of a base showing my new design;

FIG. 2 is a top plan view thereof;

FIG. 3 is a bottom plan view thereof;

FIG. 4 is a left side elevational view thereof;

FIG. 5 is a right side elevational view thereof;

FIG. 6 is a rear elevational view thereof;

FIG. 7 is an additional top, front, and left side perspective view thereof, with the broken line disclosure of a towel bar being for illustrative purposes only and forming no part of the claimed design;

FIG. 8 is an additional reduced top, front, and left side perspective view thereof, with the broken line disclosure of a toilet roll bar being for illustrative purposes only and forming no part of the claimed design;

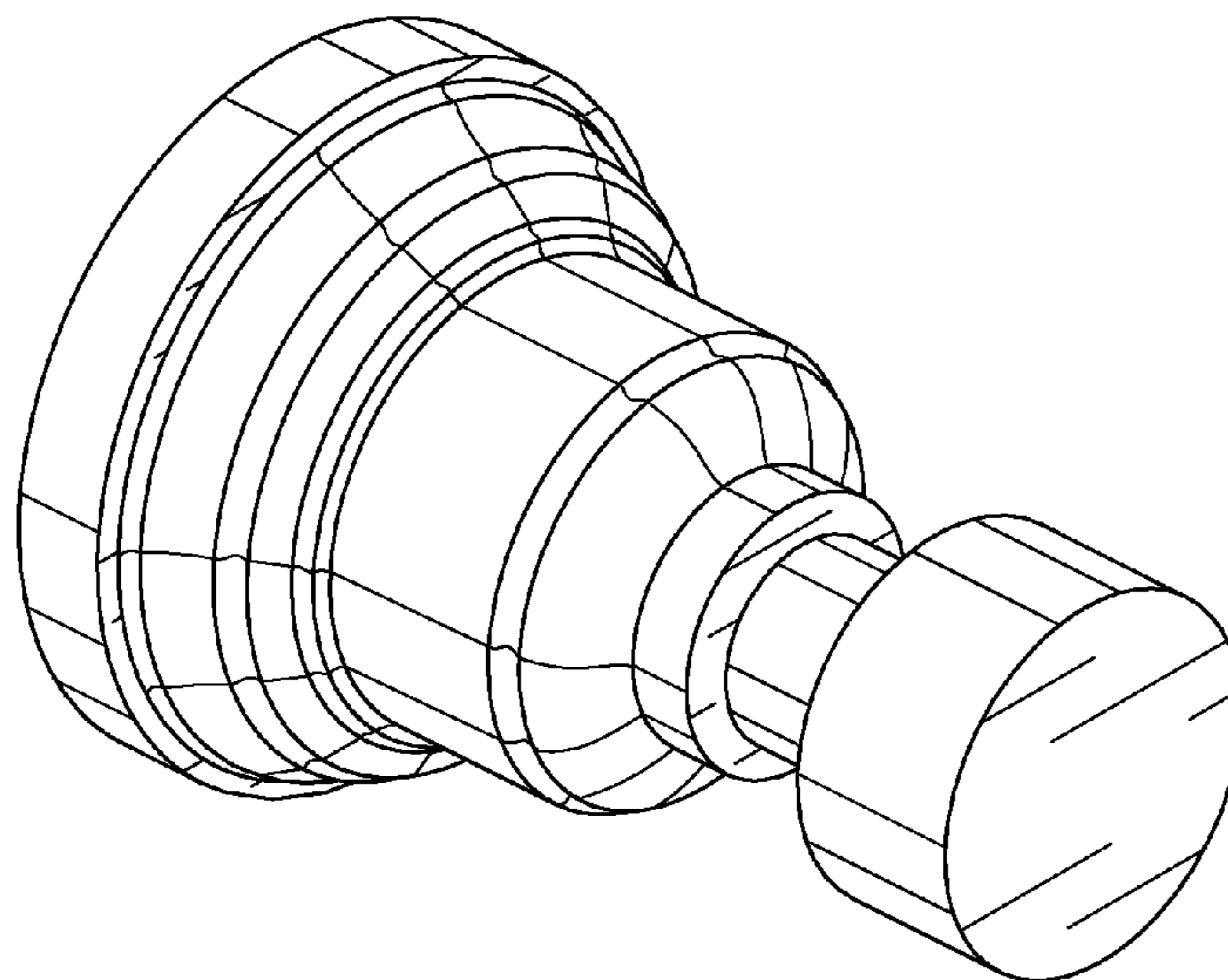
FIG. 9 is a top, front, and left side perspective view of a second embodiment thereof, with the broken line disclosure of a toilet roll bar being for illustrative purposes only and forming no part of the claimed design;

FIG. 10 is a reduced top, front, and right side perspective view thereof, with the broken line disclosure of a towel bar being for illustrative purposes only and forming no part of the claimed design;

FIG. 11 is an additional reduced top, front, and right side perspective view thereof, with the broken line disclosure of a shelf and shelf clamps being for illustrative purposes only and forming no part of the claimed design; and,

FIG. 12 is an additional reduced top, front, and right side perspective view thereof, with the broken line disclosure of a towel bar being for illustrative purposes only and forming no part of the claimed design.

1 Claim, 12 Drawing Sheets



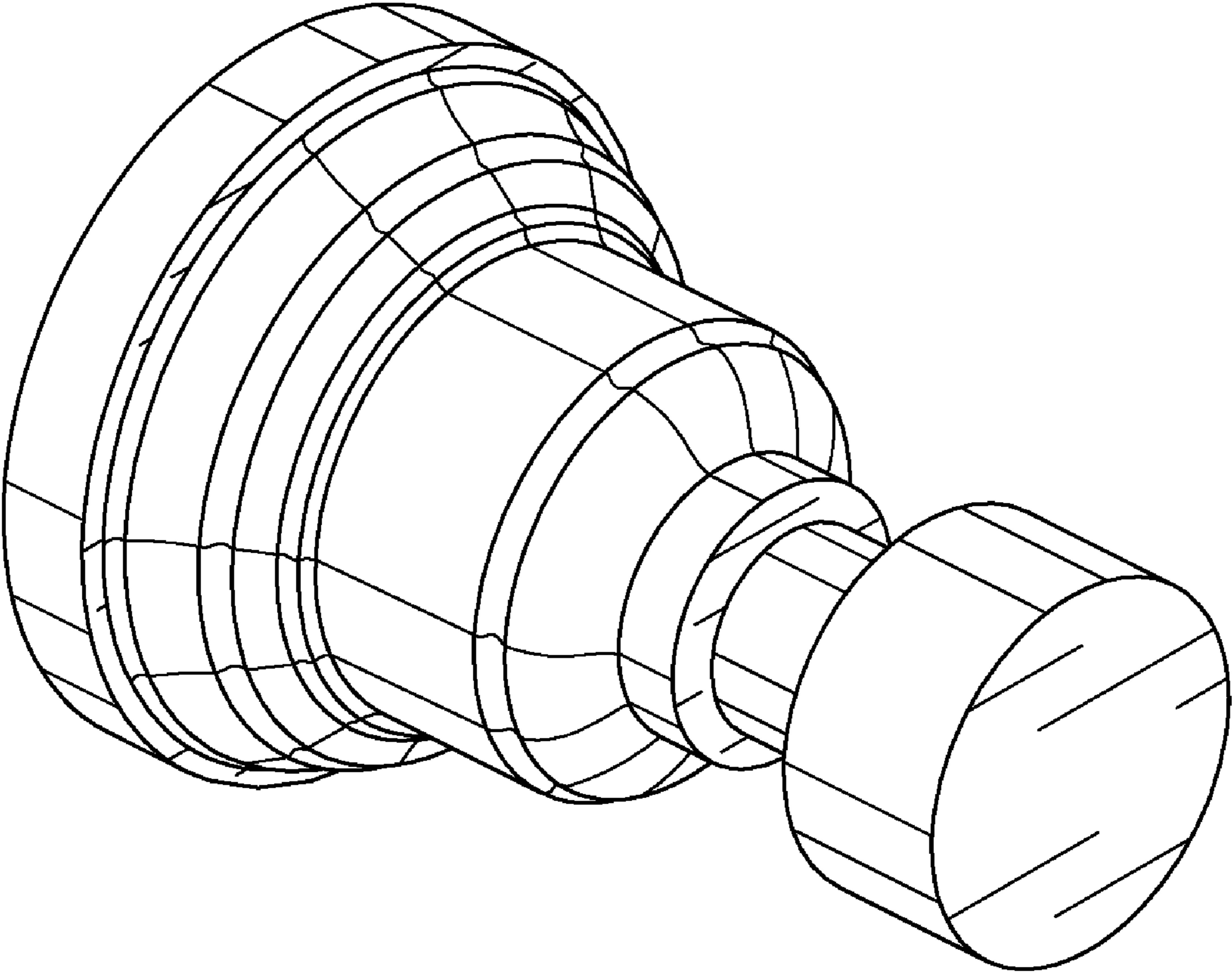


FIG. 1

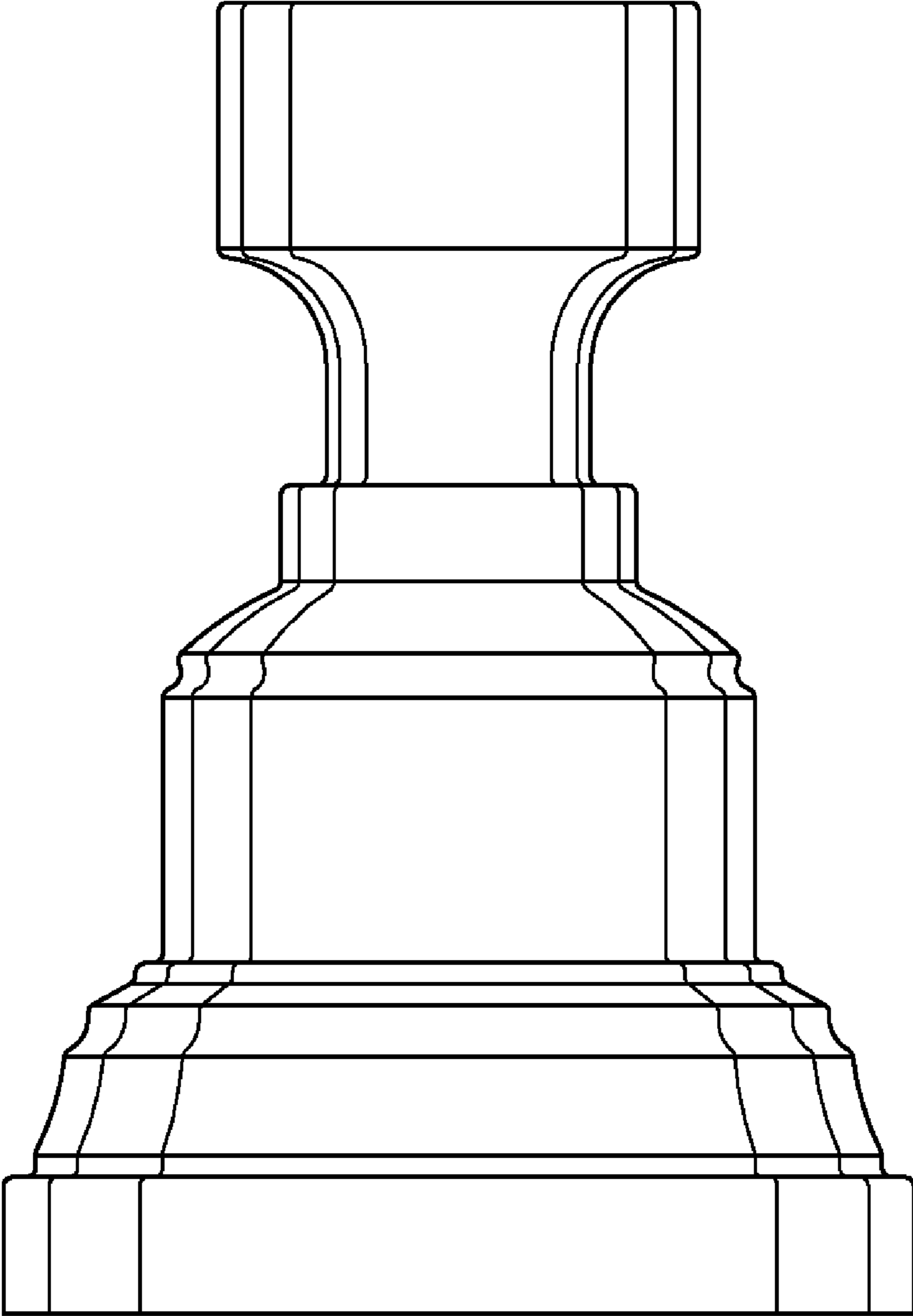


FIG. 2

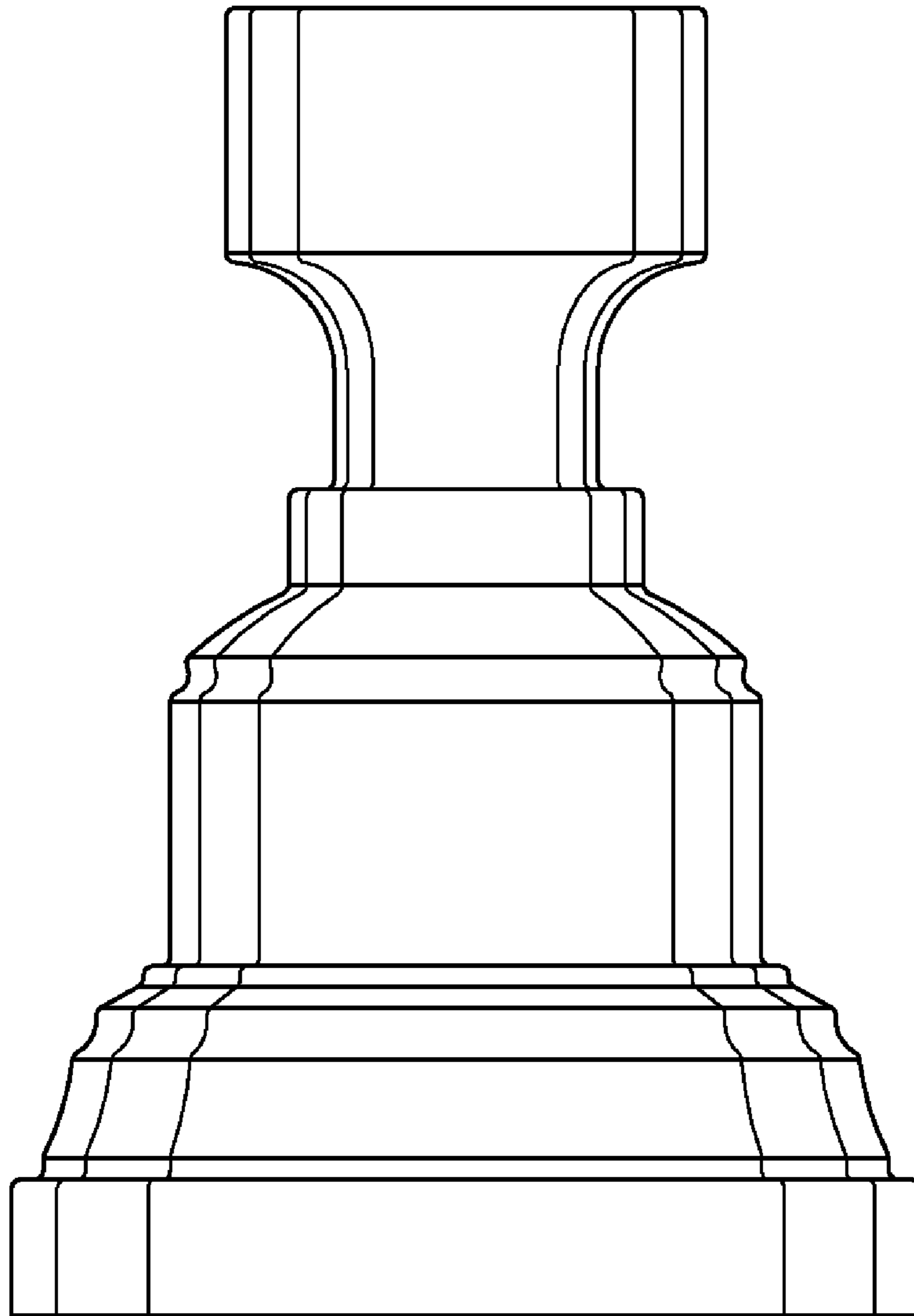


FIG. 3

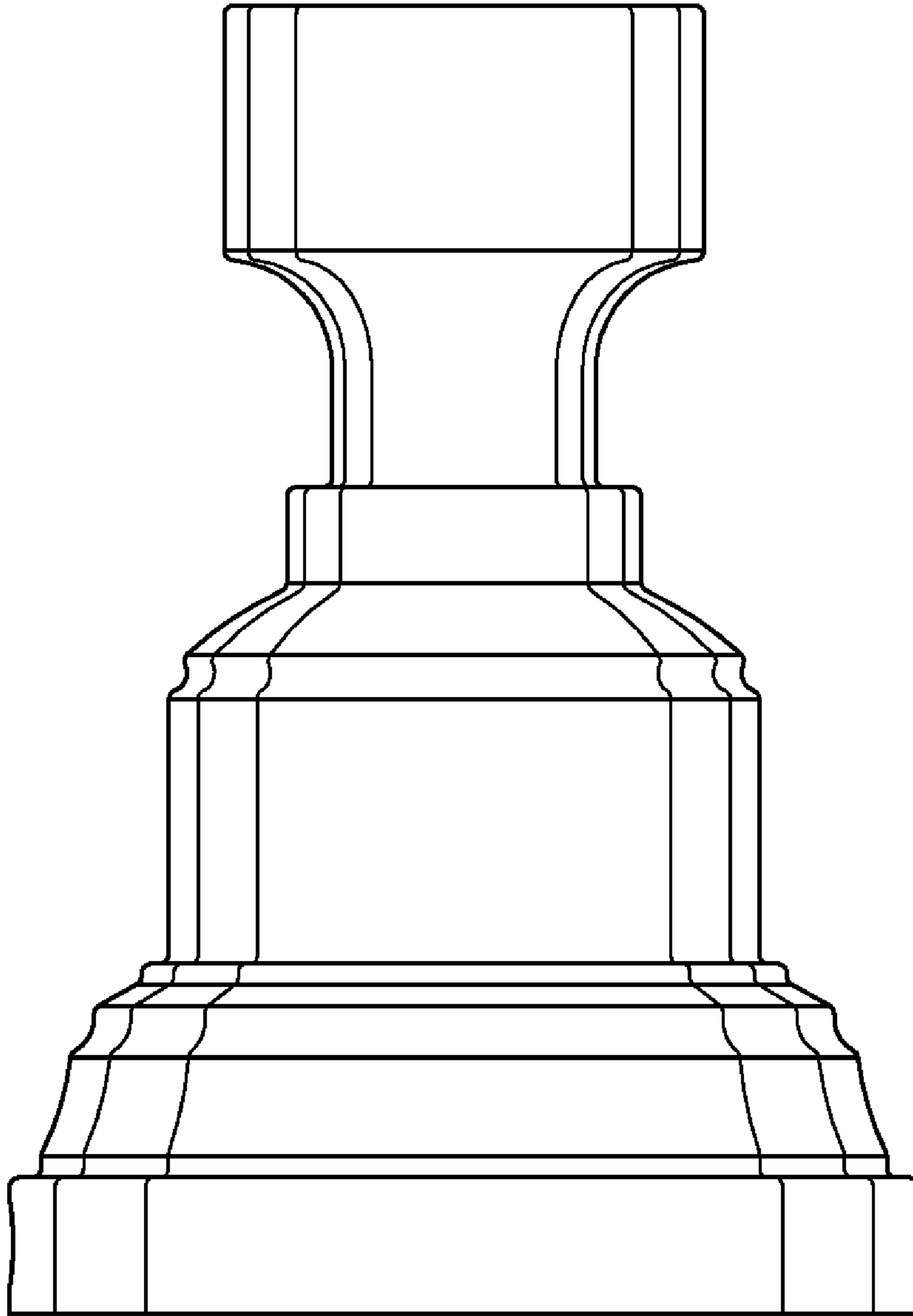


FIG. 4

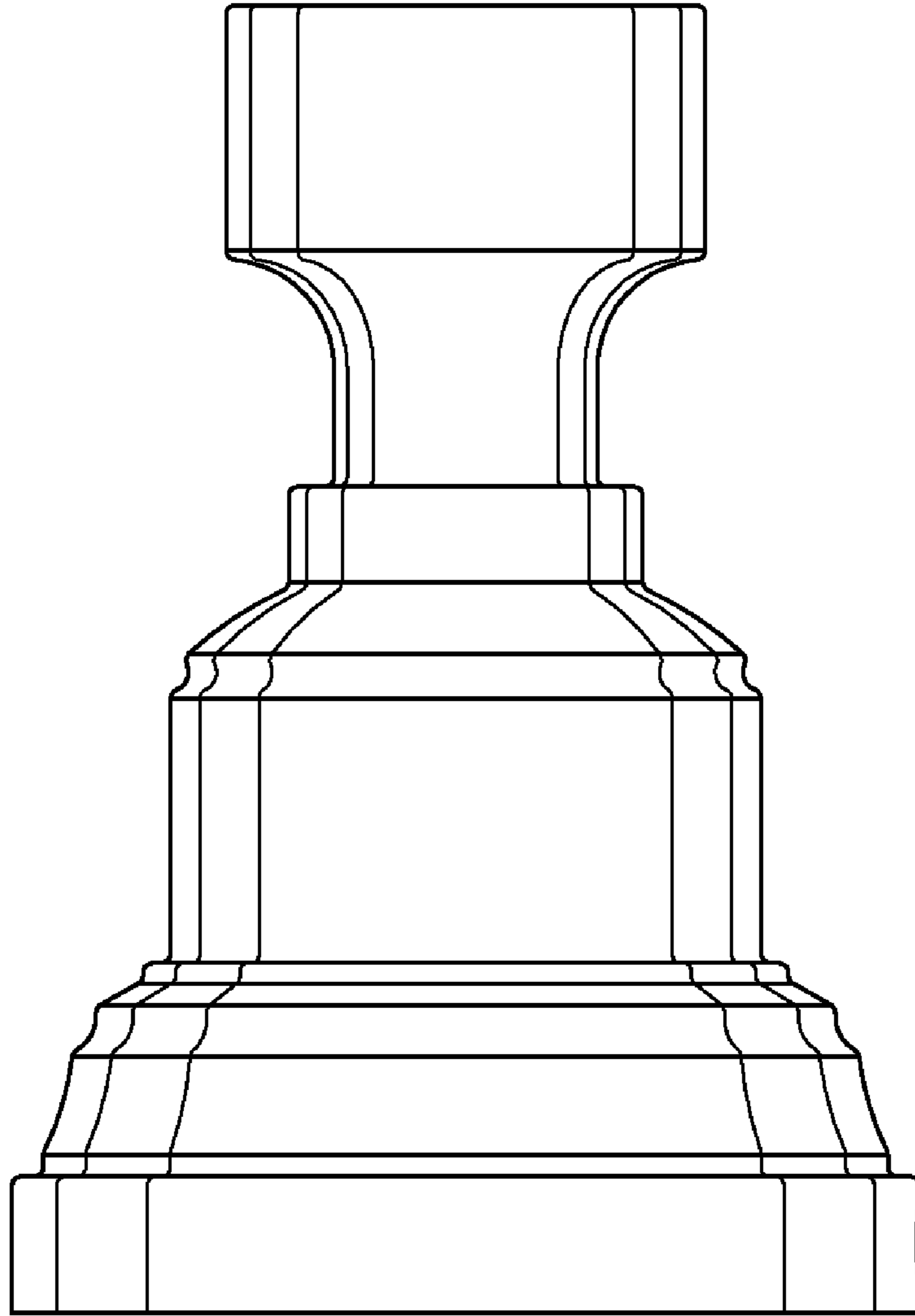


FIG. 5

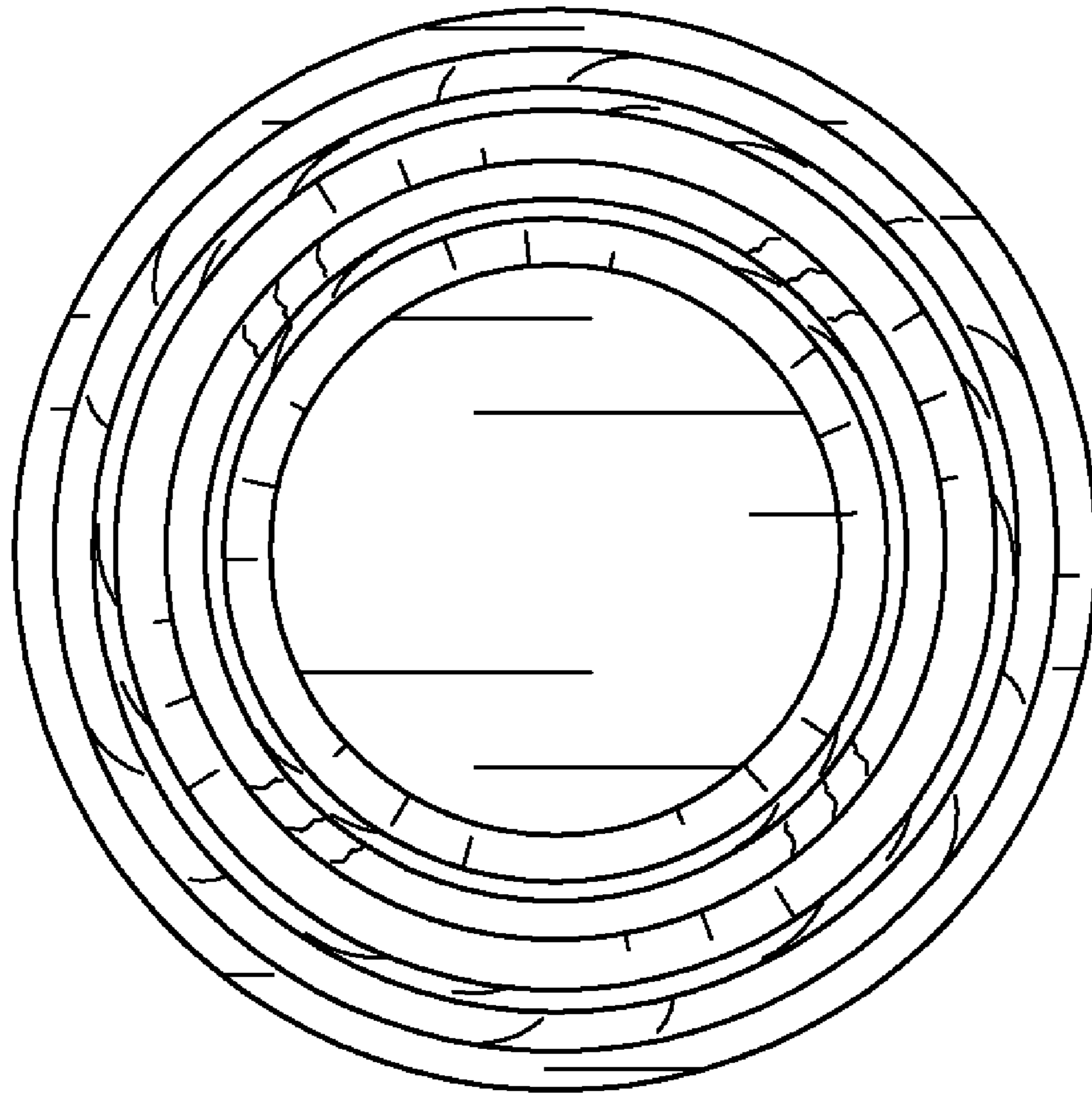


FIG. 6

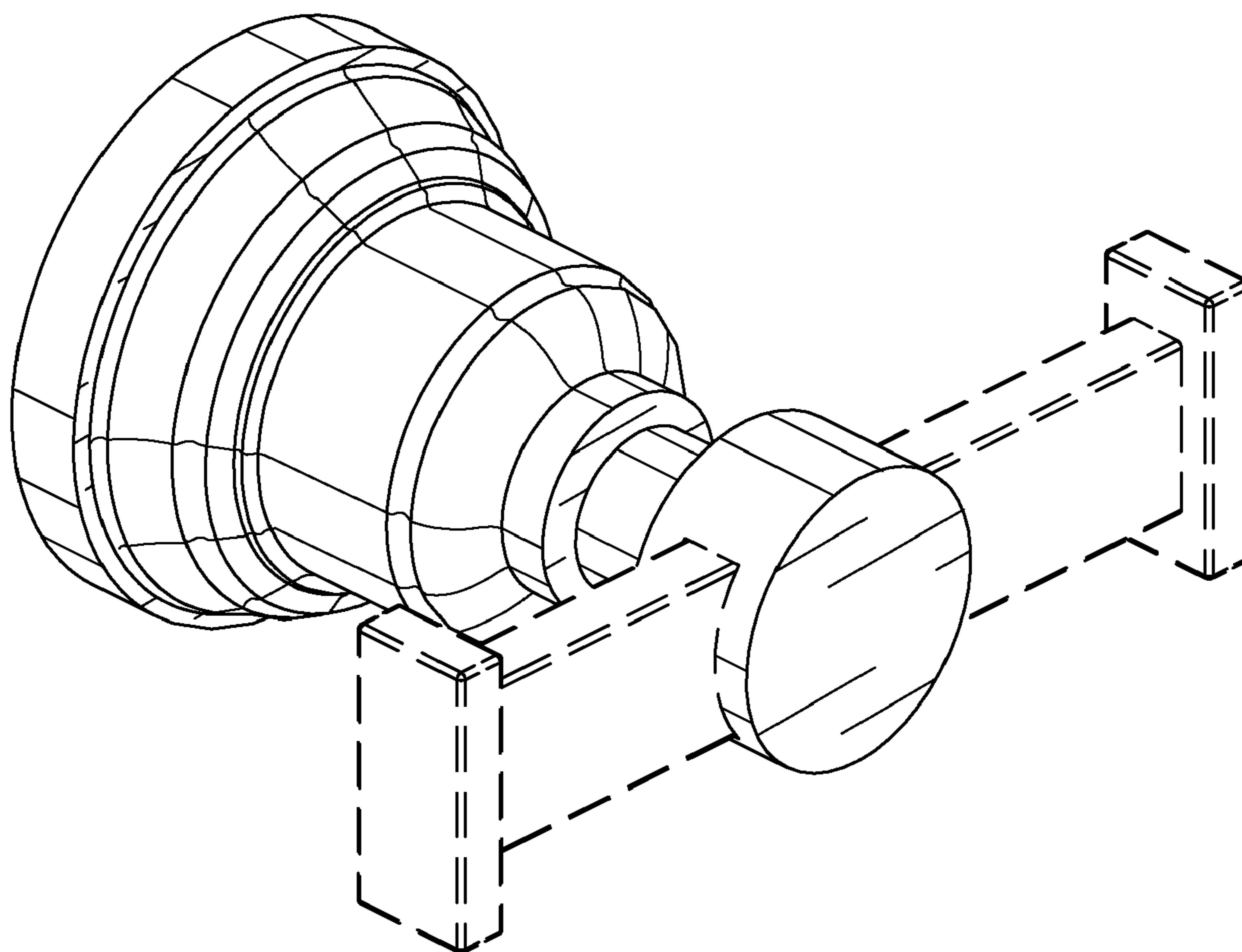


FIG. 7

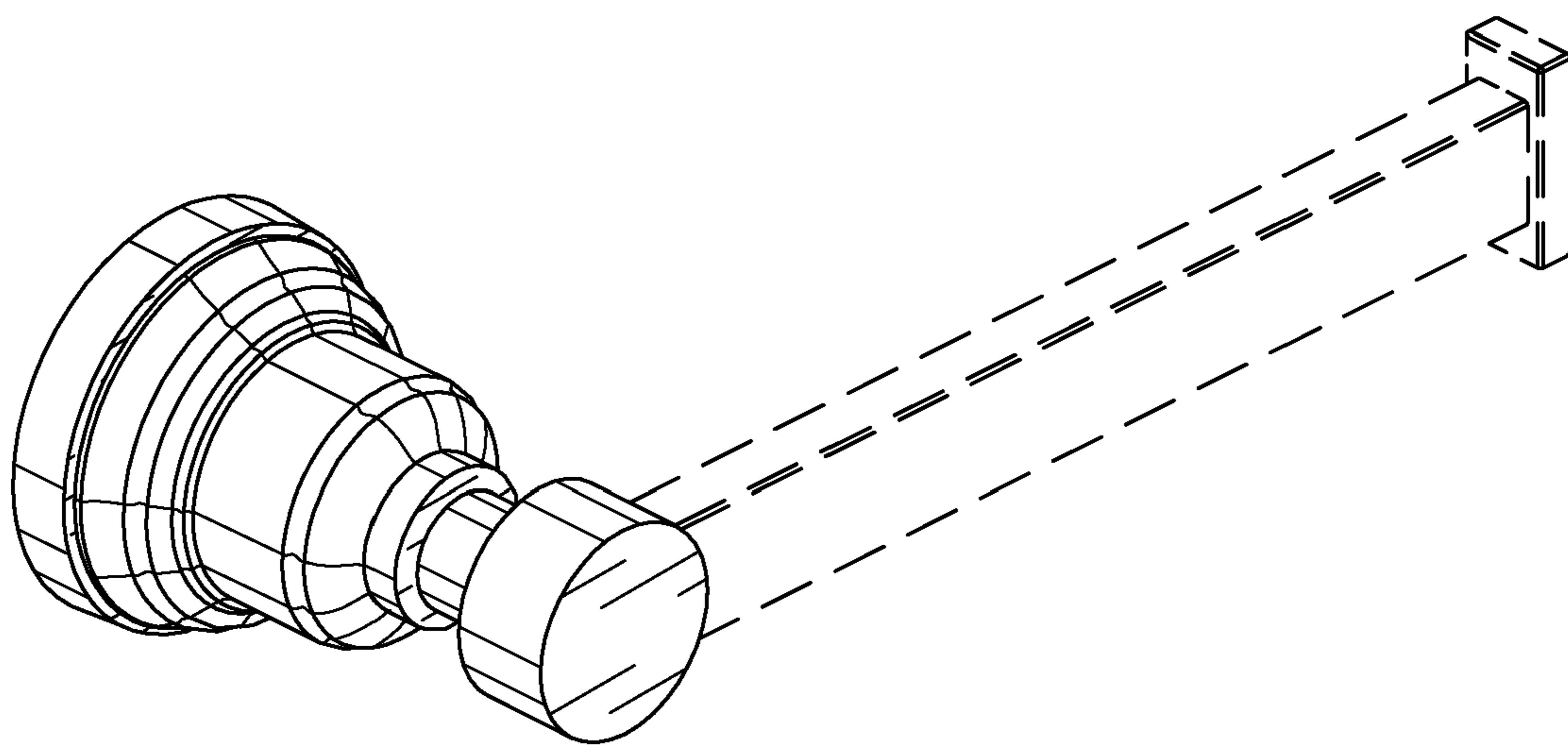


FIG. 8

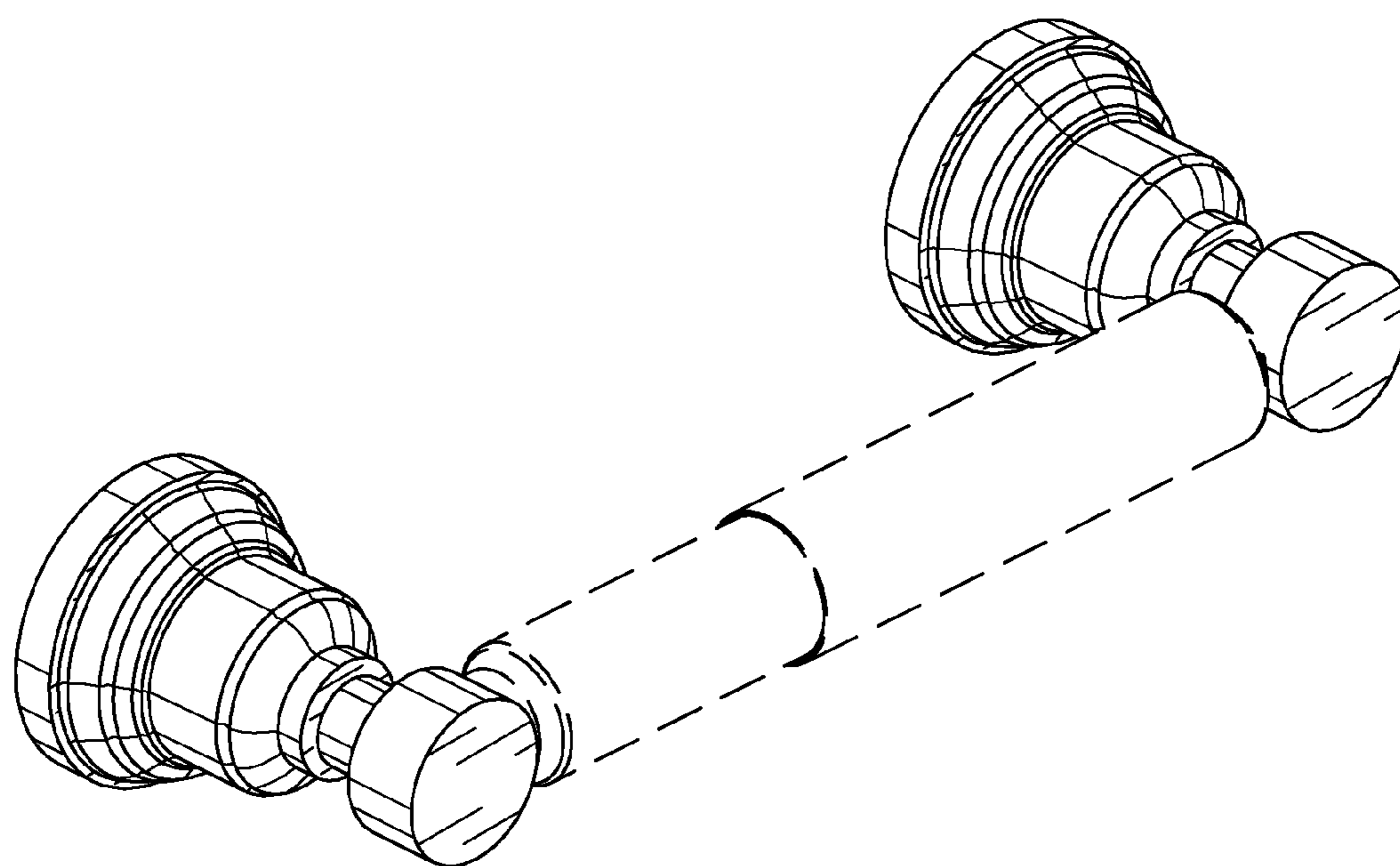


FIG. 9

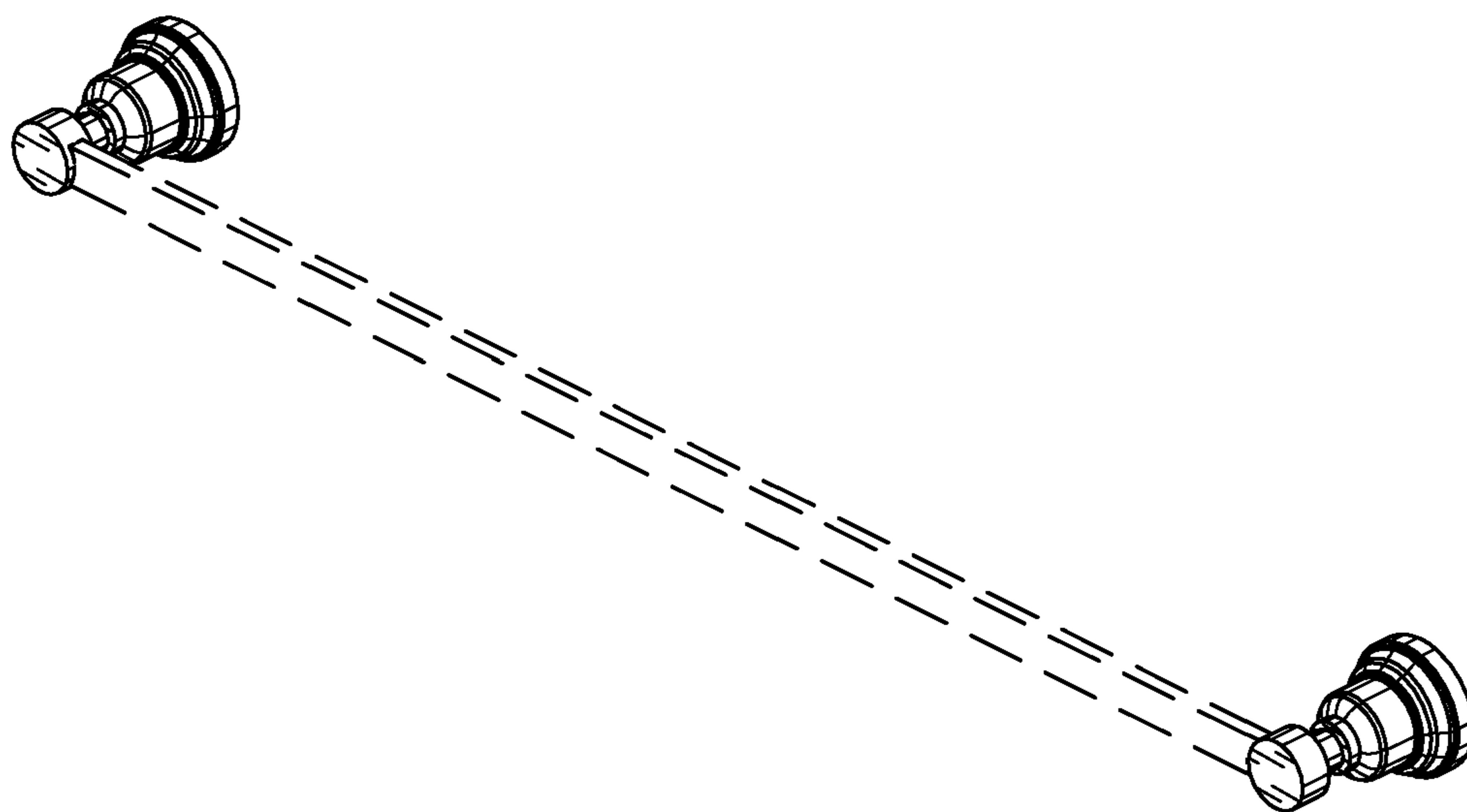


FIG. 10

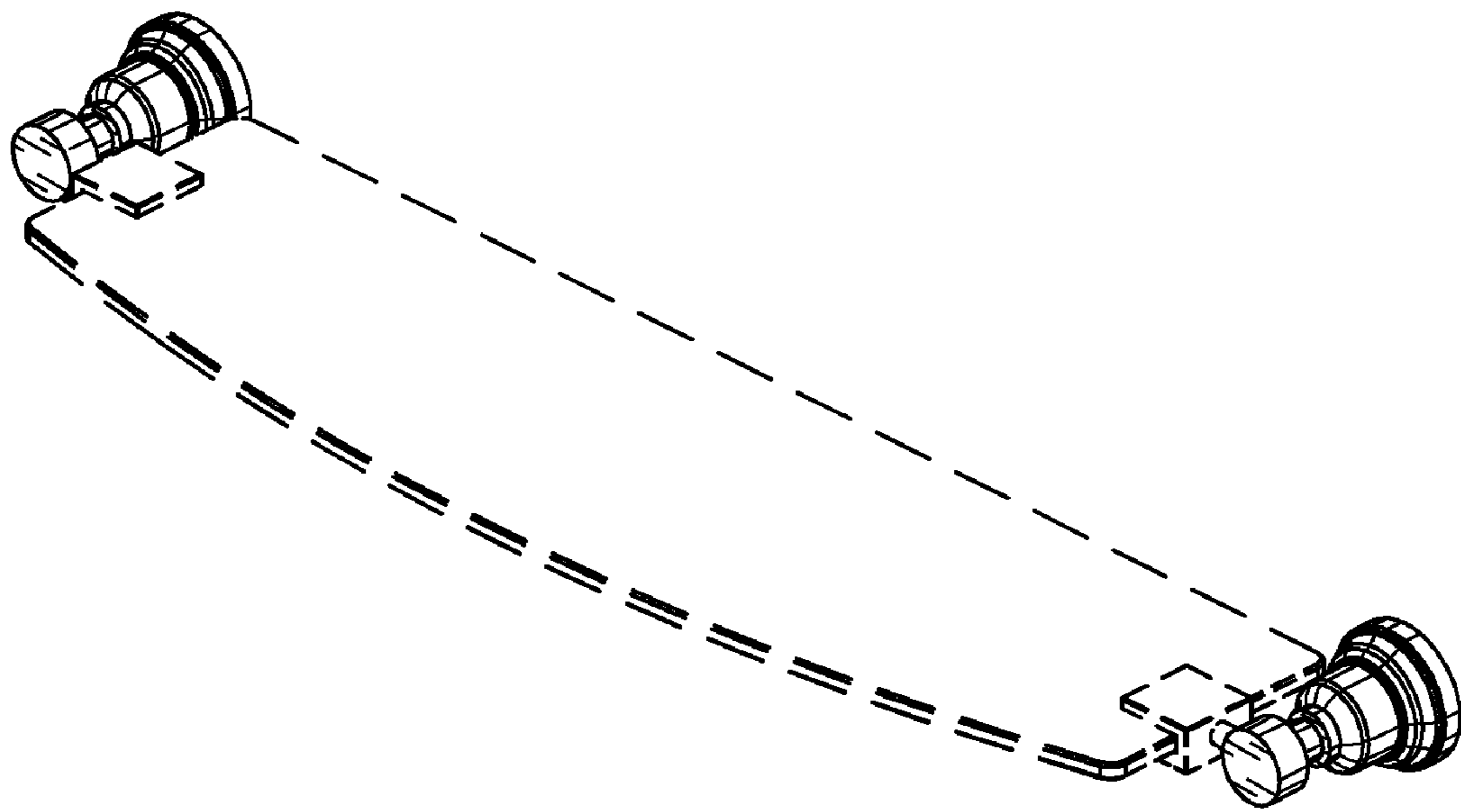


FIG. 11

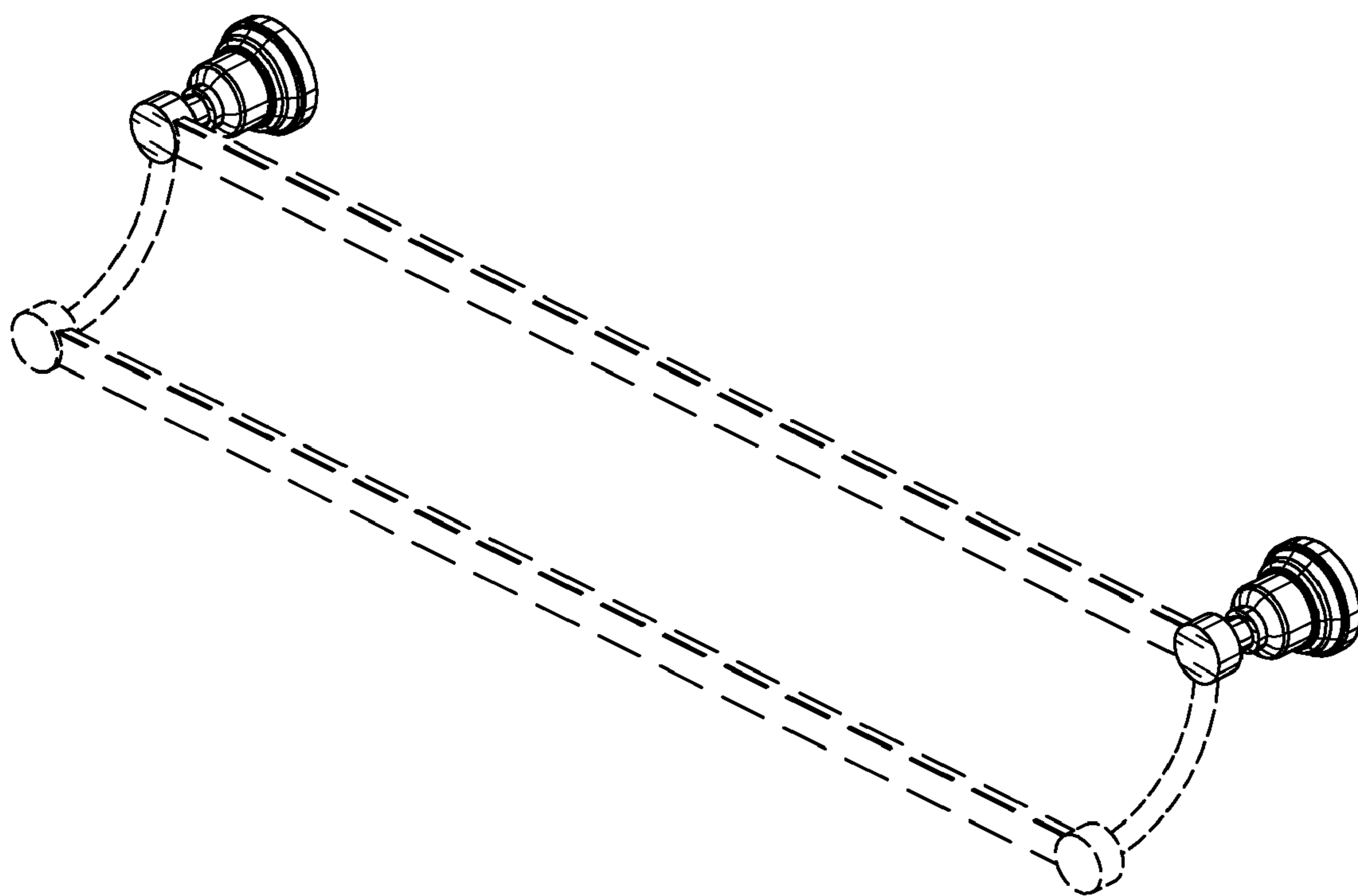


FIG. 12