

US00D600478S

(12) **United States Design Patent**
Linyear et al.

(10) **Patent No.:** **US D600,478 S**

(45) **Date of Patent:** **** Sep. 22, 2009**

(54) **TOILET TISSUE HOLDER FOR A BEDSIDE
COMMUNE**

(75) Inventors: **Jessie B. Linyear**, 101 Prestwick,
Smithfield, VA (US) 23430; **Richard A.
Linyear**, 101 Prestwick, Smithfield, VA
(US) 23430

(73) Assignees: **Jessie B. Linyear**, Smithfield, VA (US);
Richard A. Linyear, Smithfield, VA
(US)

(**) Term: **14 Years**

(21) Appl. No.: **29/315,153**

(22) Filed: **Jun. 1, 2009**

(51) **LOC (9) Cl.** **23-02**

(52) **U.S. Cl.** **D6/523**

(58) **Field of Classification Search** D6/518-524,
D6/546-550; 108/28-29; 211/13.1, 16,
211/60.1, 86.01, 87.01, 88.01, 88.04, 100,
211/105.1, 105.2, 123, 181.1, 182; 248/175,
248/176.1, 251, 302; 16/110.1, 415; 242/570,
242/590, 595-598; D8/300, 303, 315-321
See application file for complete search history.

(56) **References Cited**

U.S. PATENT DOCUMENTS

D414,638 S 10/1999 Brighbill
D427,829 S * 7/2000 Fleming D6/523
D431,947 S 10/2000 Kopeak
6,305,035 B1 10/2001 Morris

D477,731 S * 7/2003 Hoernig D6/523
D540,593 S * 4/2007 Hoernig D6/523
D550,489 S * 9/2007 Williams et al. D6/523
D559,599 S * 1/2008 Bickler et al. D6/523
D567,557 S * 4/2008 Snell D6/523

* cited by examiner

Primary Examiner—Brian N Vinson

(57) **CLAIM**

The ornamental design for a toilet tissue holder for a bedside
commode, as shown and described.

DESCRIPTION

FIG. 1 is a top, front, and left side perspective view of a toilet
tissue holder for a bedside commode showing our new
design;

FIG. 2 is an enlarged top, front, and left side perspective view
thereof;

FIG. 3 is a top plan view thereof;

FIG. 4 is a bottom plan view thereof;

FIG. 5 is a left side elevational view thereof;

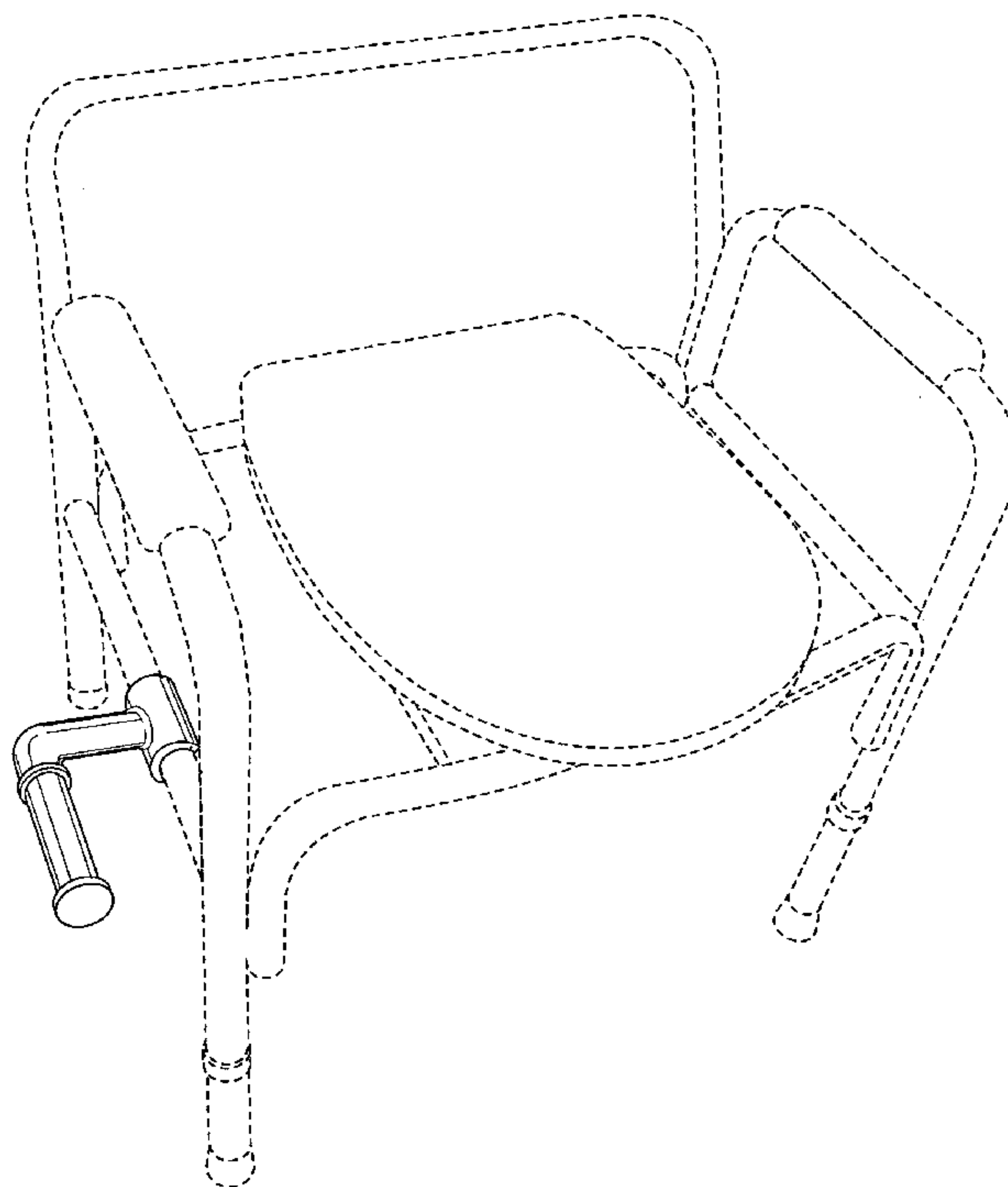
FIG. 6 is a front elevational view thereof;

FIG. 7 is right side elevational view thereof; and,

FIG. 8 is a rear elevational view thereof.

The broken-line disclosure of a bedside commode and roll of
toilet tissue in the views is for illustrative purposes only and
forms no part of the claimed design.

1 Claim, 4 Drawing Sheets



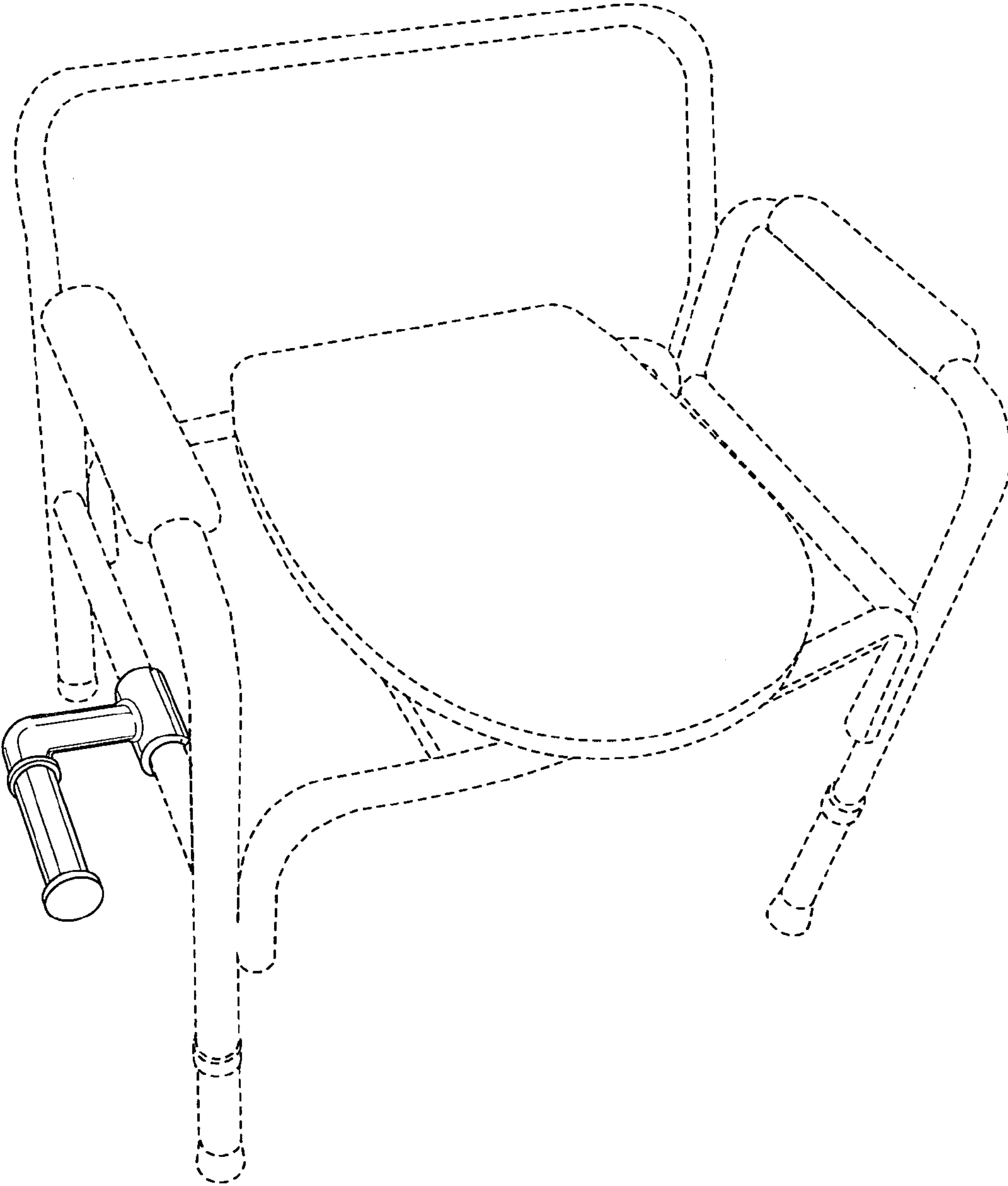


FIG. 1

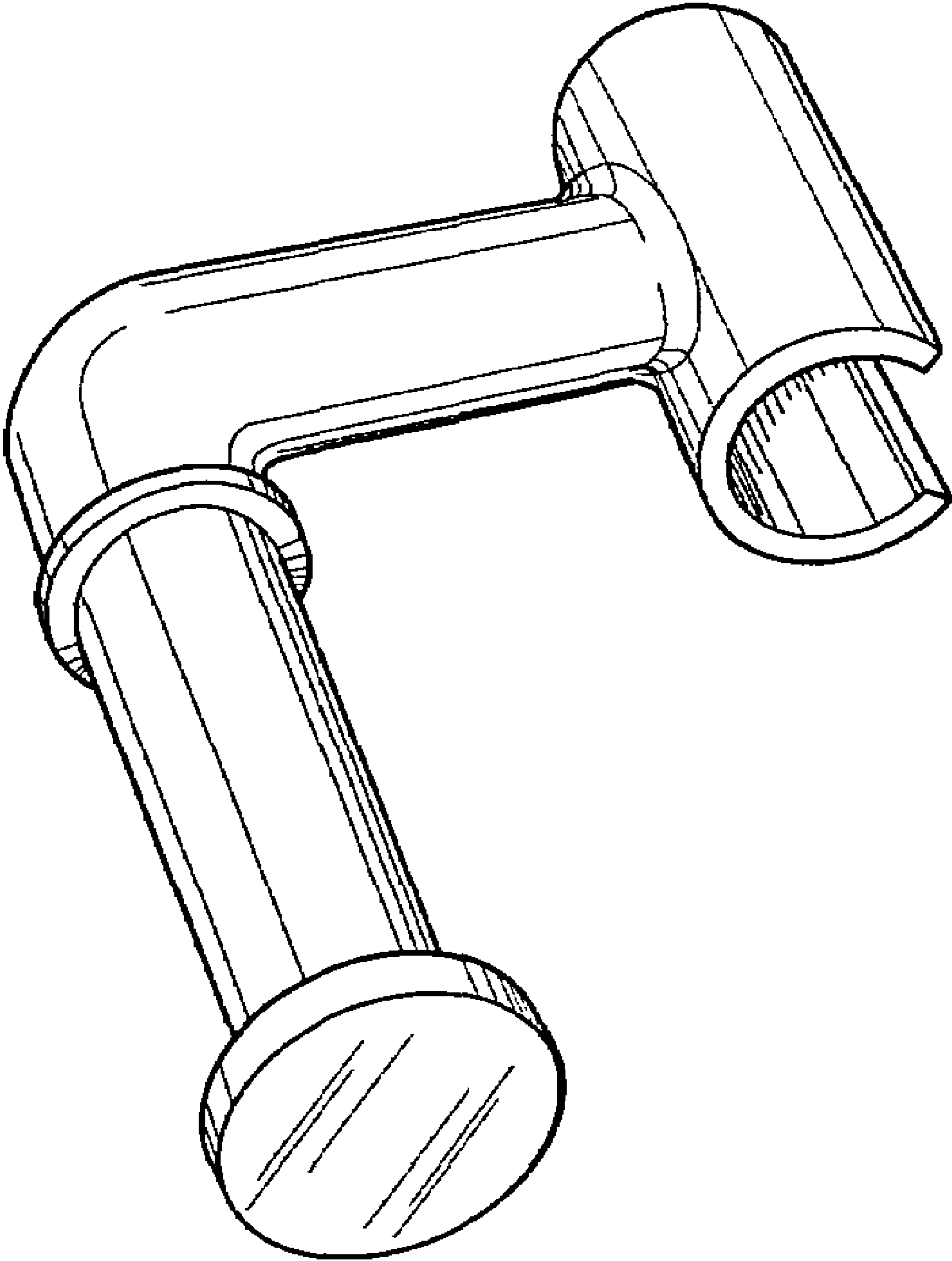


FIG. 2

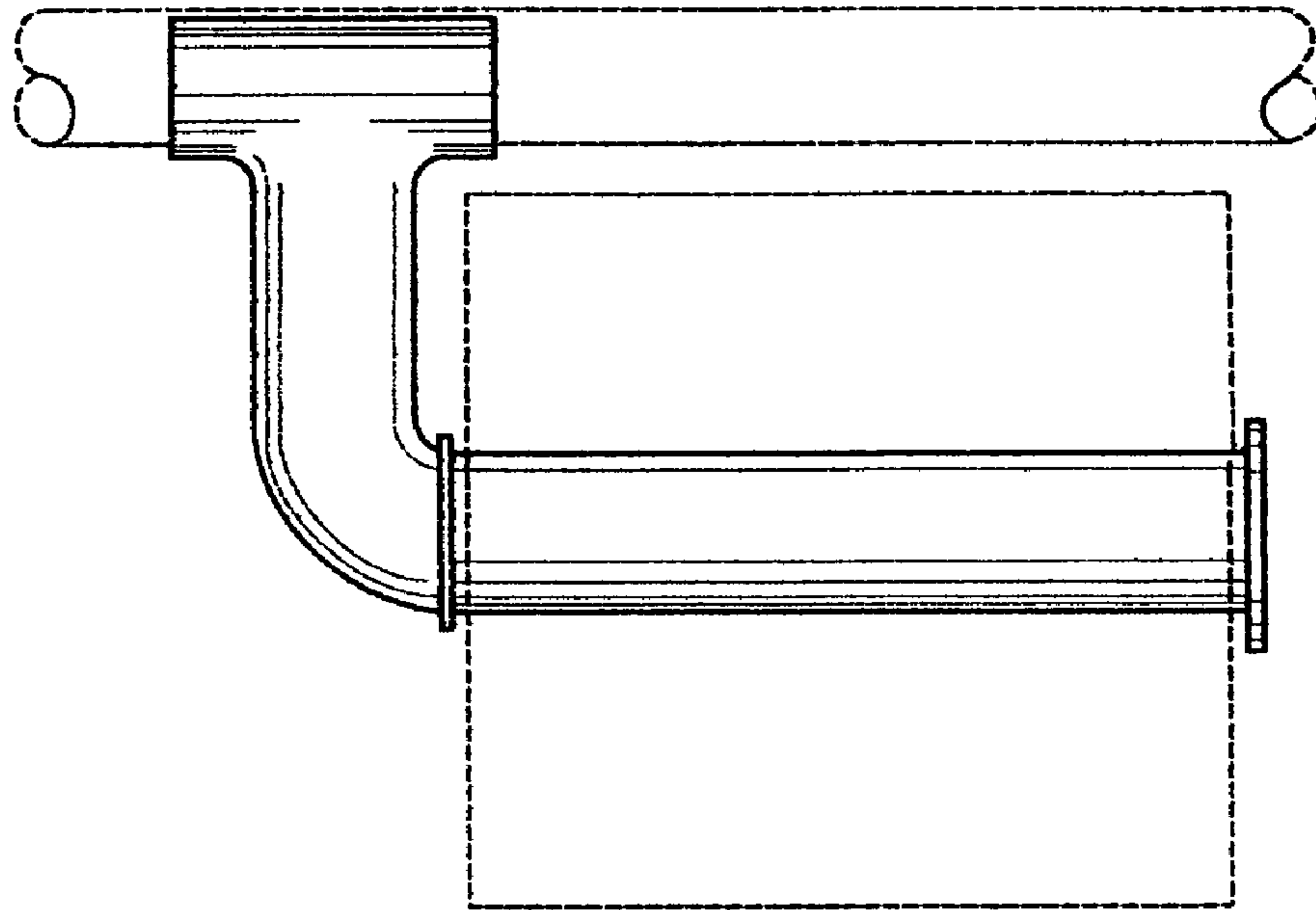


FIG. 3

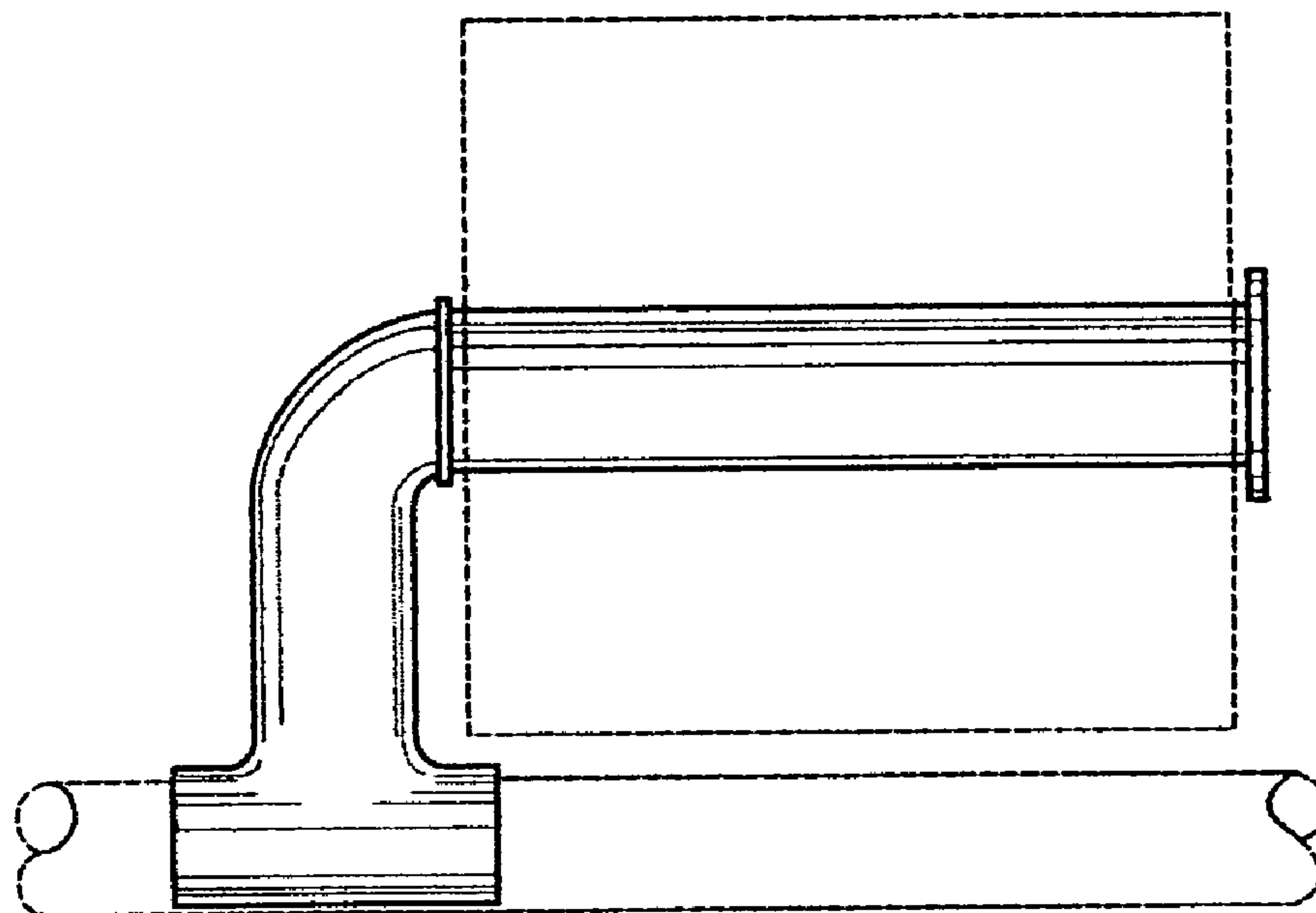


FIG. 4

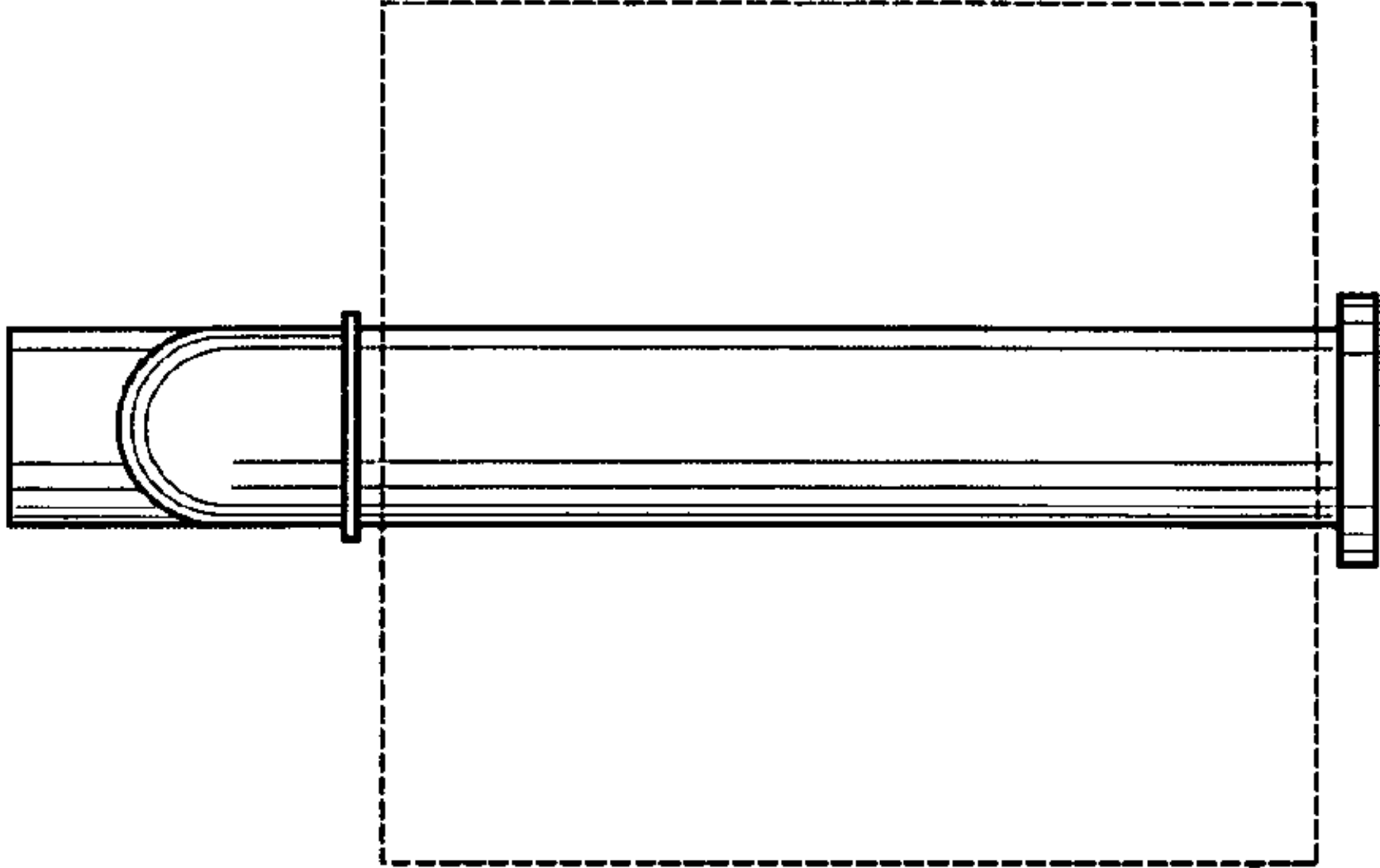


FIG. 5

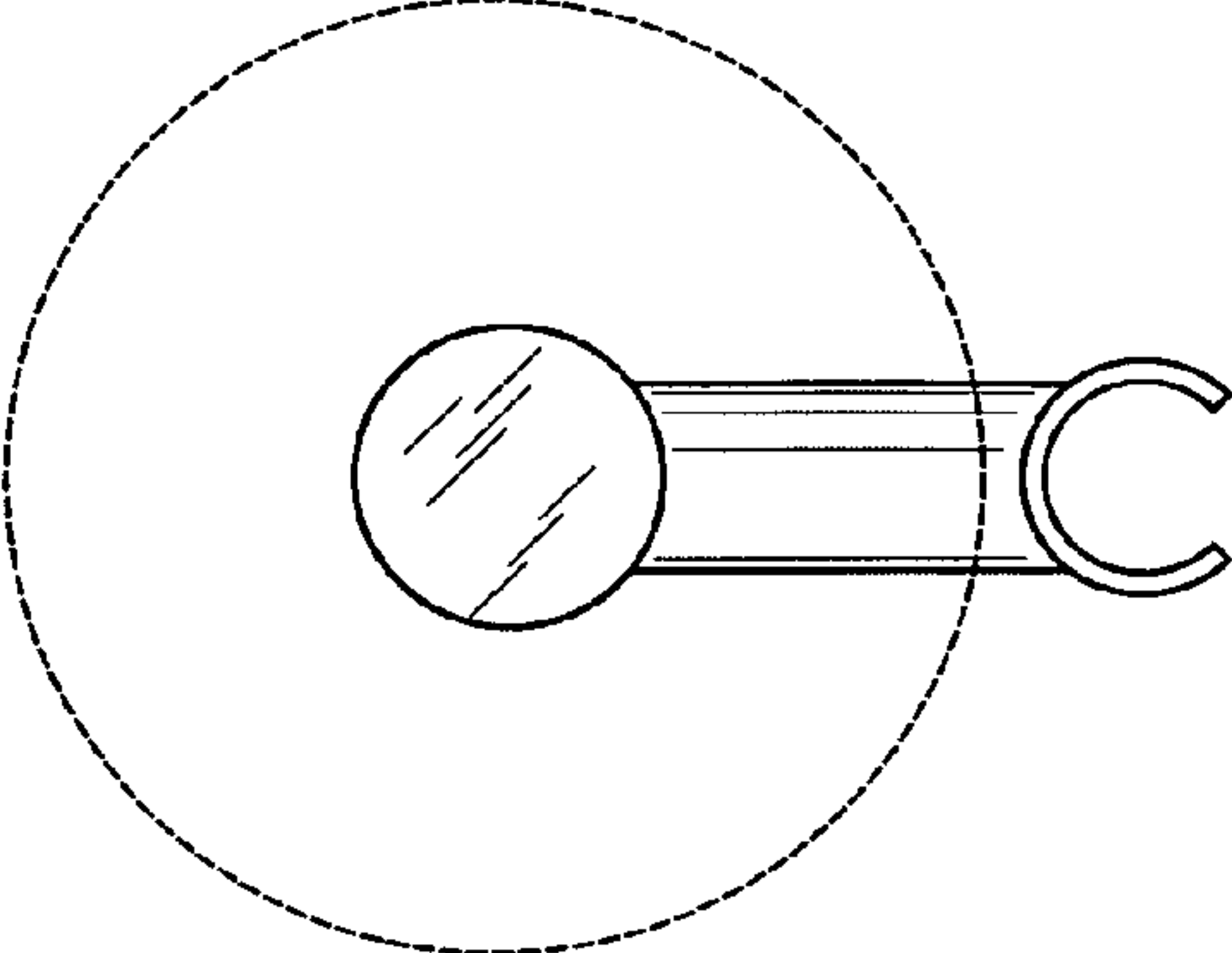


FIG. 6

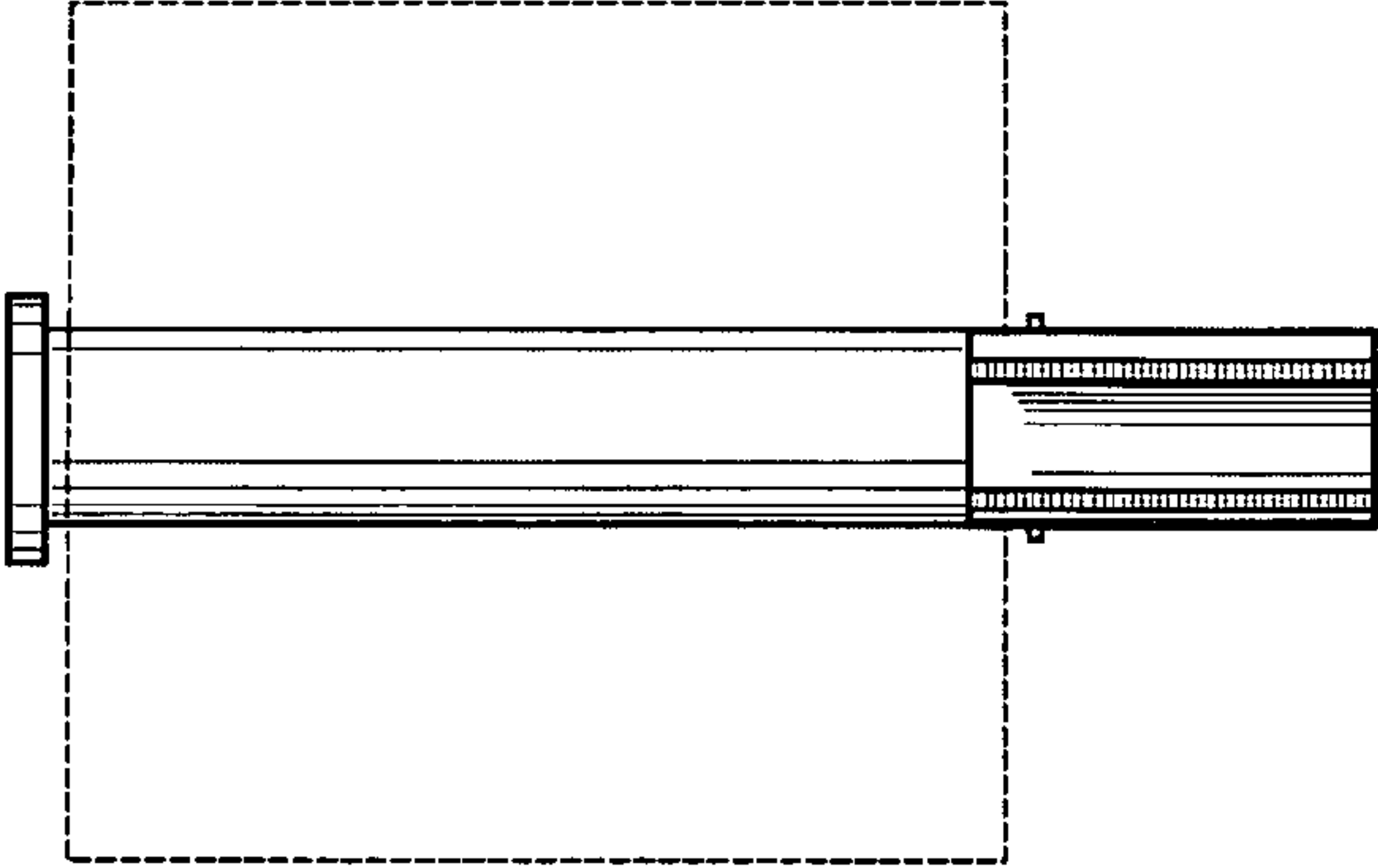


FIG. 7

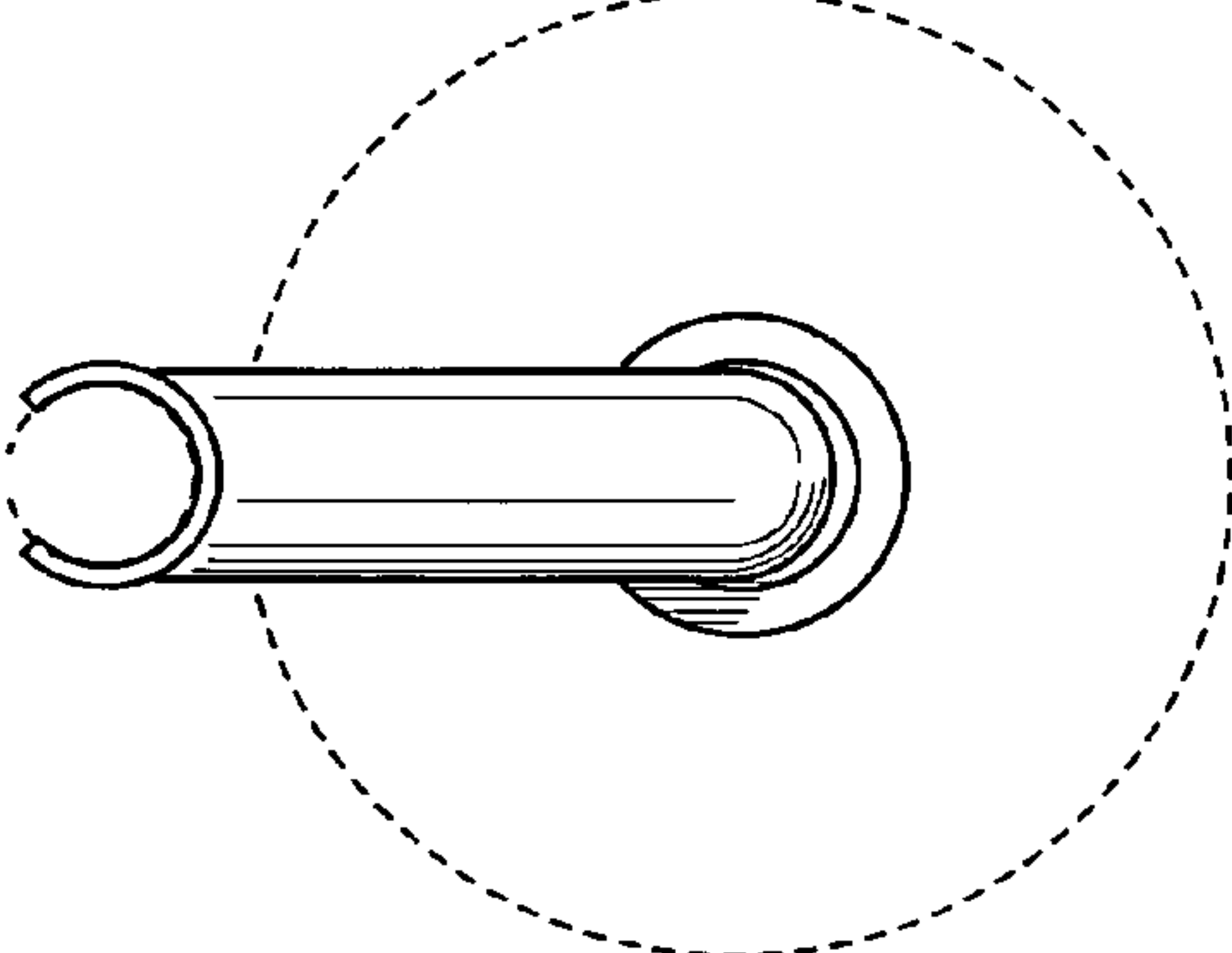


FIG. 8