



US00D600477S

(12) **United States Design Patent**  
**Su**

(10) **Patent No.:** **US D600,477 S**

(45) **Date of Patent:** **\*\* Sep. 22, 2009**

(54) **CHAIR BACKREST**

(76) Inventor: **Tung-Hua Su**, No. 6, Sec. 3, Bao Ta Road, Kuwi Jen Hsiang, Tainan Hsien (TW)

(\*\*) Term: **14 Years**

(21) Appl. No.: **29/337,275**

(22) Filed: **May 18, 2009**

(51) **LOC (9) Cl.** ..... **06-01**

(52) **U.S. Cl.** ..... **D6/502; D6/366**

(58) **Field of Classification Search** ..... D6/334-335, D6/356, 364, 365, 366, 367, 369, 374, 379, D6/380, 500-502; 297/300.2, 411.2, 411.27, 297/411.36, 452.46, 452.56, 452.63, 452.64  
See application file for complete search history.

(56) **References Cited**

**U.S. PATENT DOCUMENTS**

D540,579 S \* 4/2007 Su ..... D6/502

D540,580 S \* 4/2007 Su ..... D6/502

D577,519 S \* 9/2008 Su ..... D6/502

D582,170 S \* 12/2008 Chi ..... D6/366

\* cited by examiner

*Primary Examiner*—Mimosa De

(74) *Attorney, Agent, or Firm*—Banger Shia

(57) **CLAIM**

The ornamental design for a chair backrest, as shown and described.

**DESCRIPTION**

FIG. 1 is a perspective view of a chair backrest showing my new design;

FIG. 2 is a front elevation view thereof;

FIG. 3 is a rear elevation view thereof;

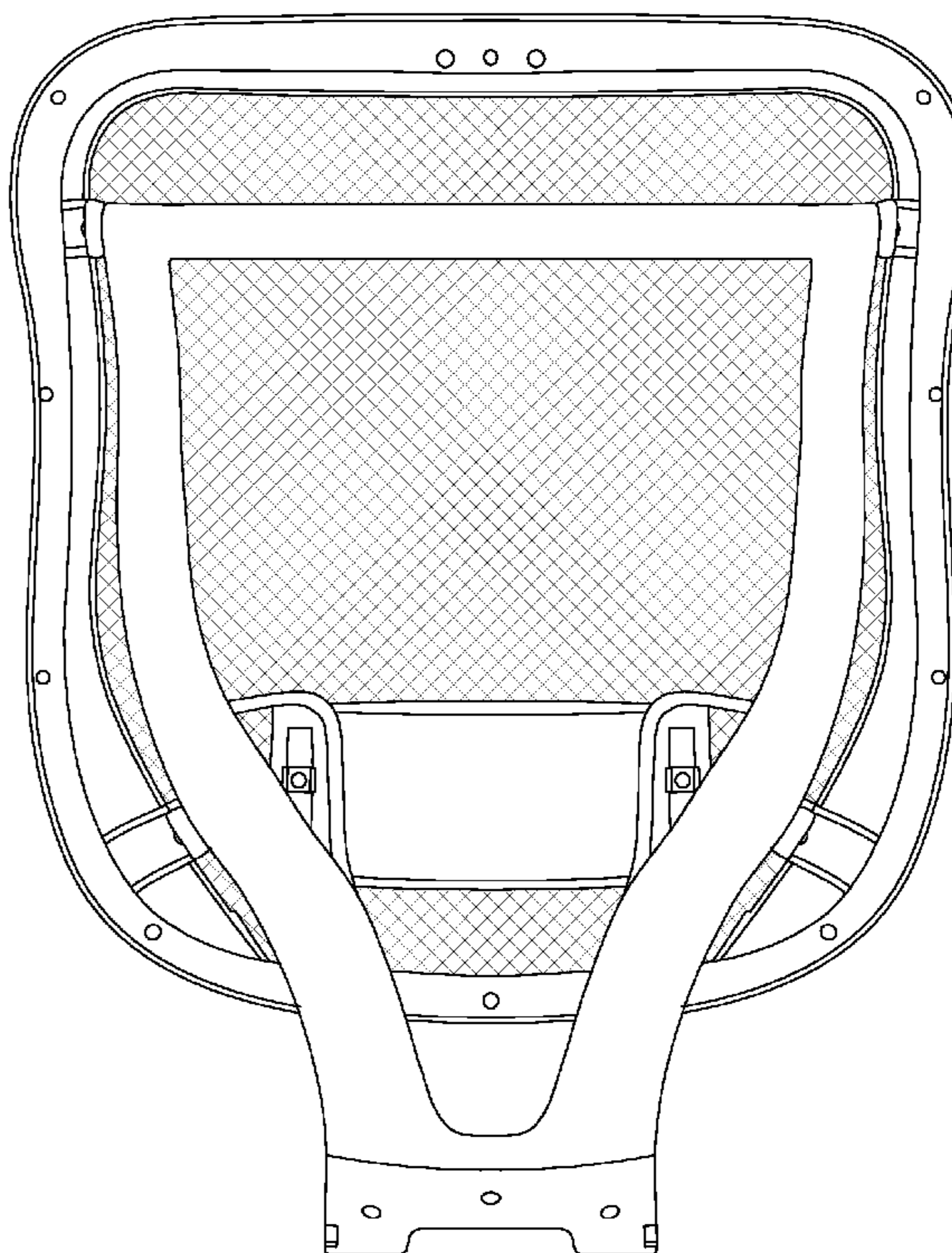
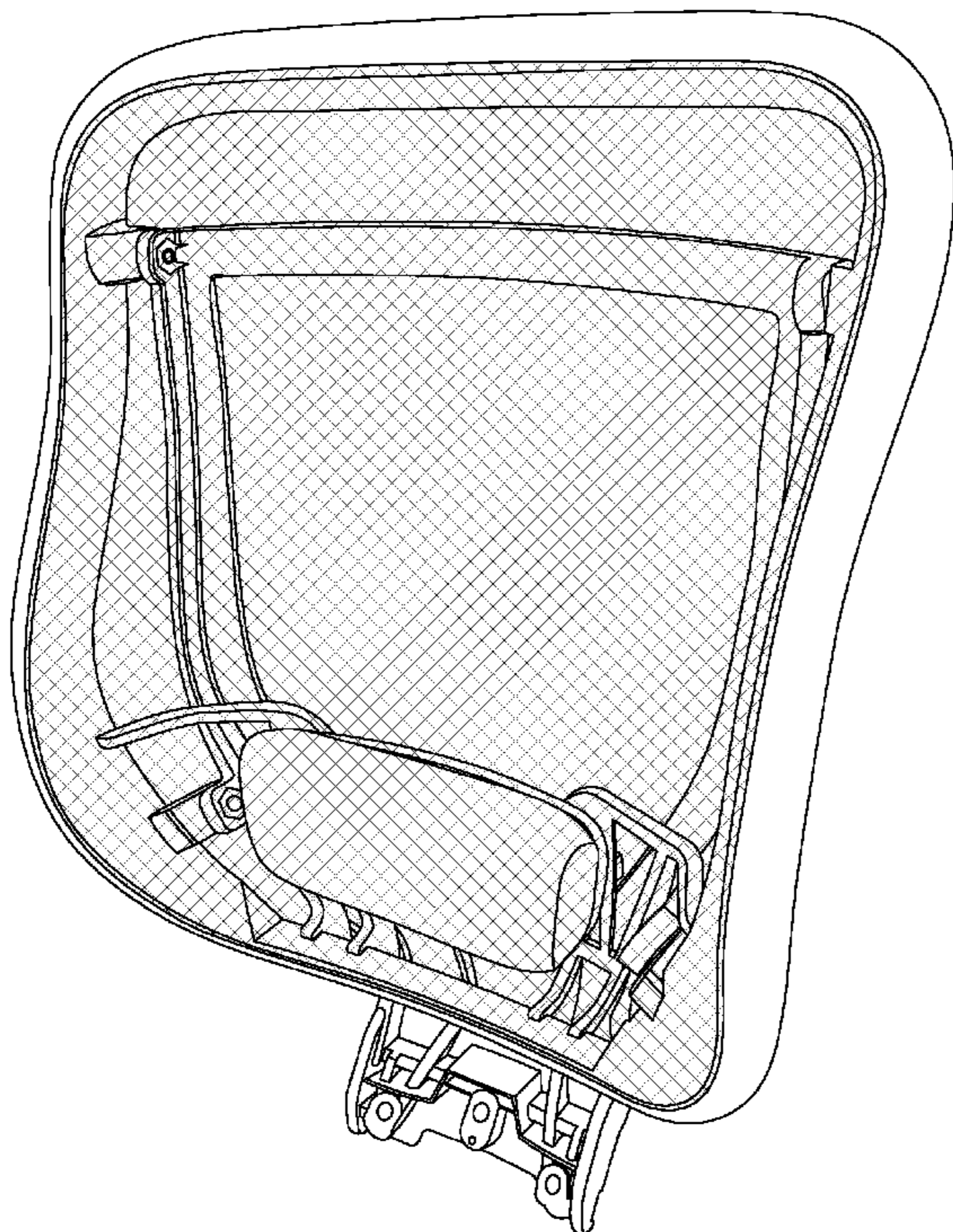
FIG. 4 is a left side elevation view thereof;

FIG. 5 is a right side elevation view thereof;

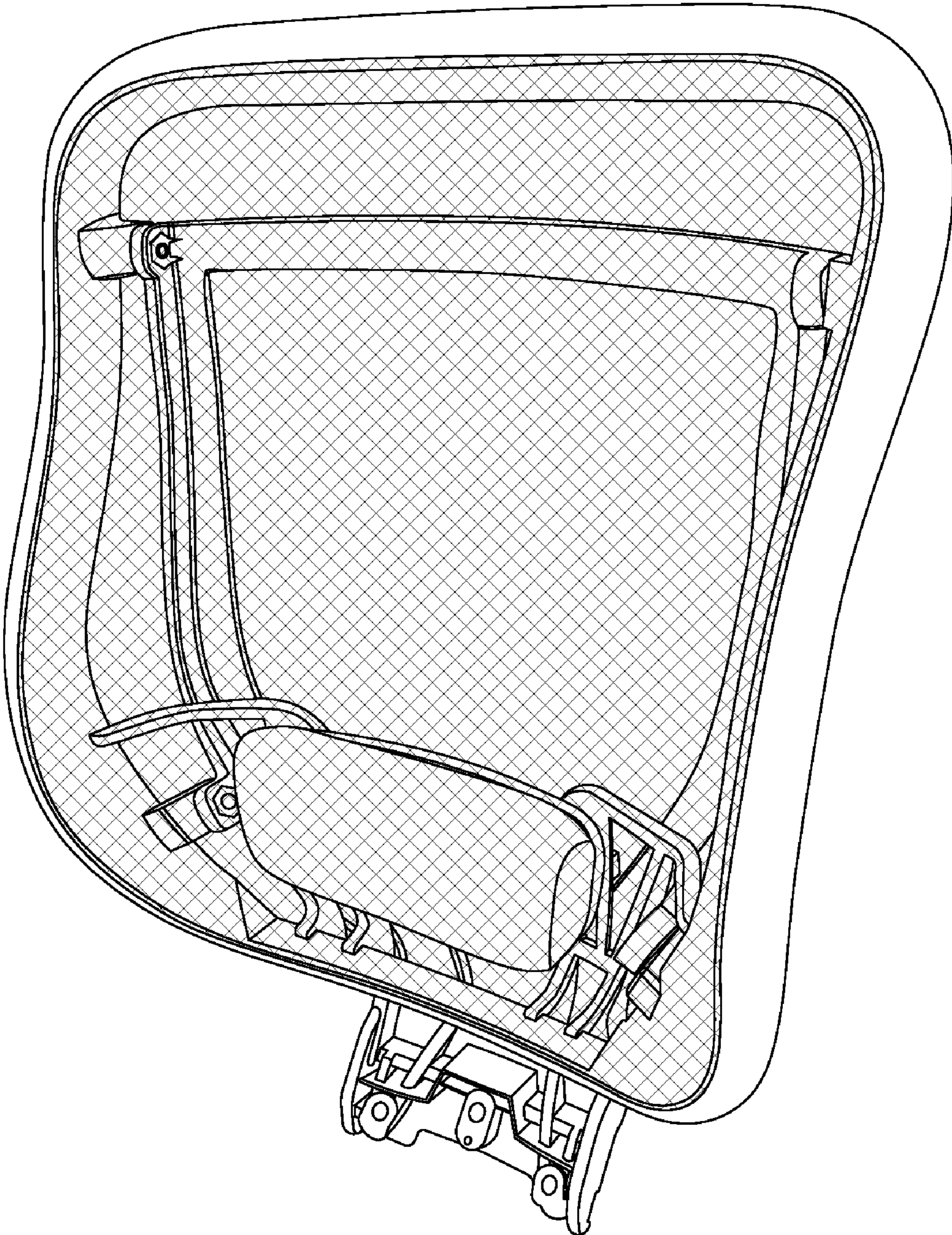
FIG. 6 is a top plan view thereof; and,

FIG. 7 is a bottom plan view thereof.

**1 Claim, 6 Drawing Sheets**







F I G . 1



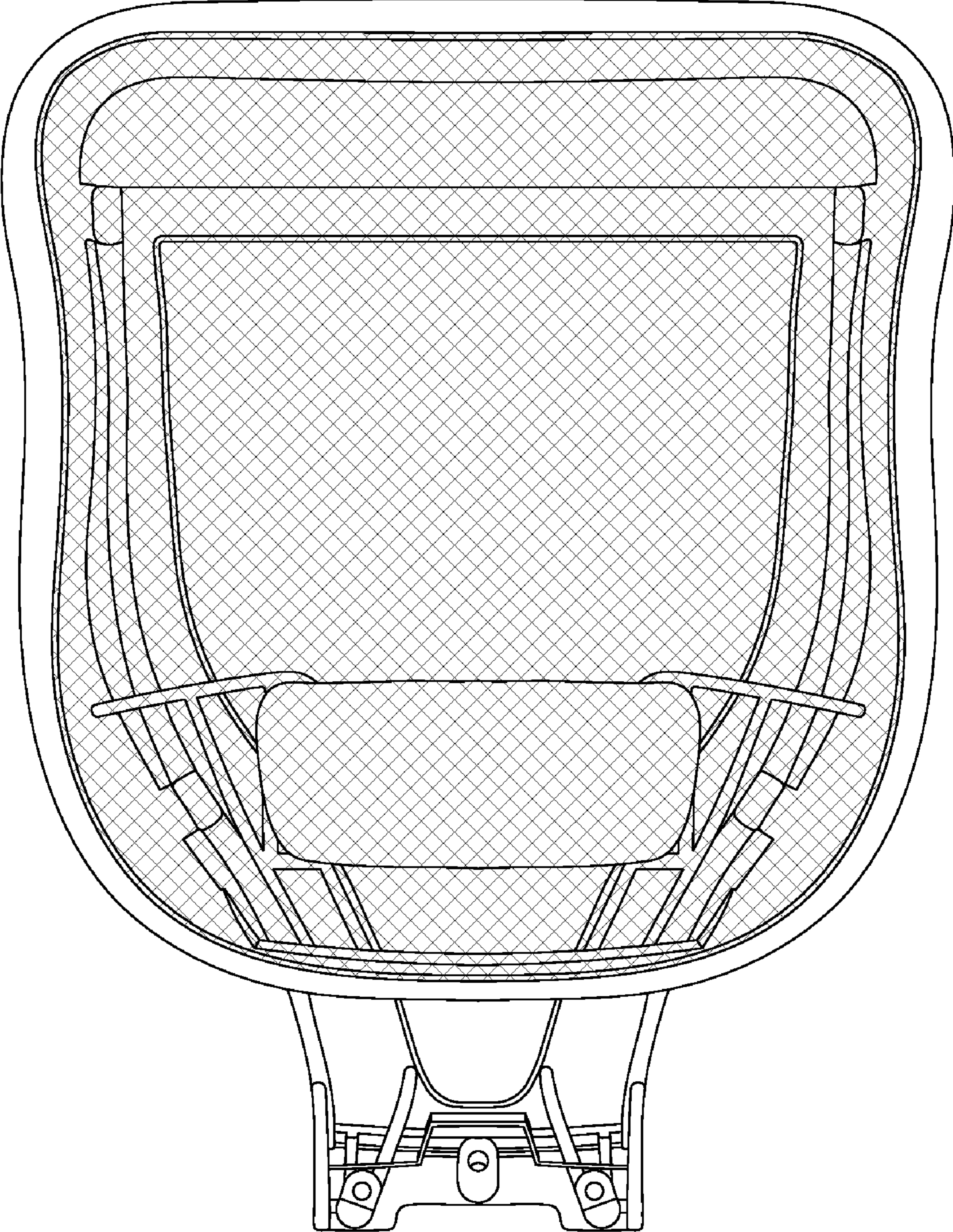
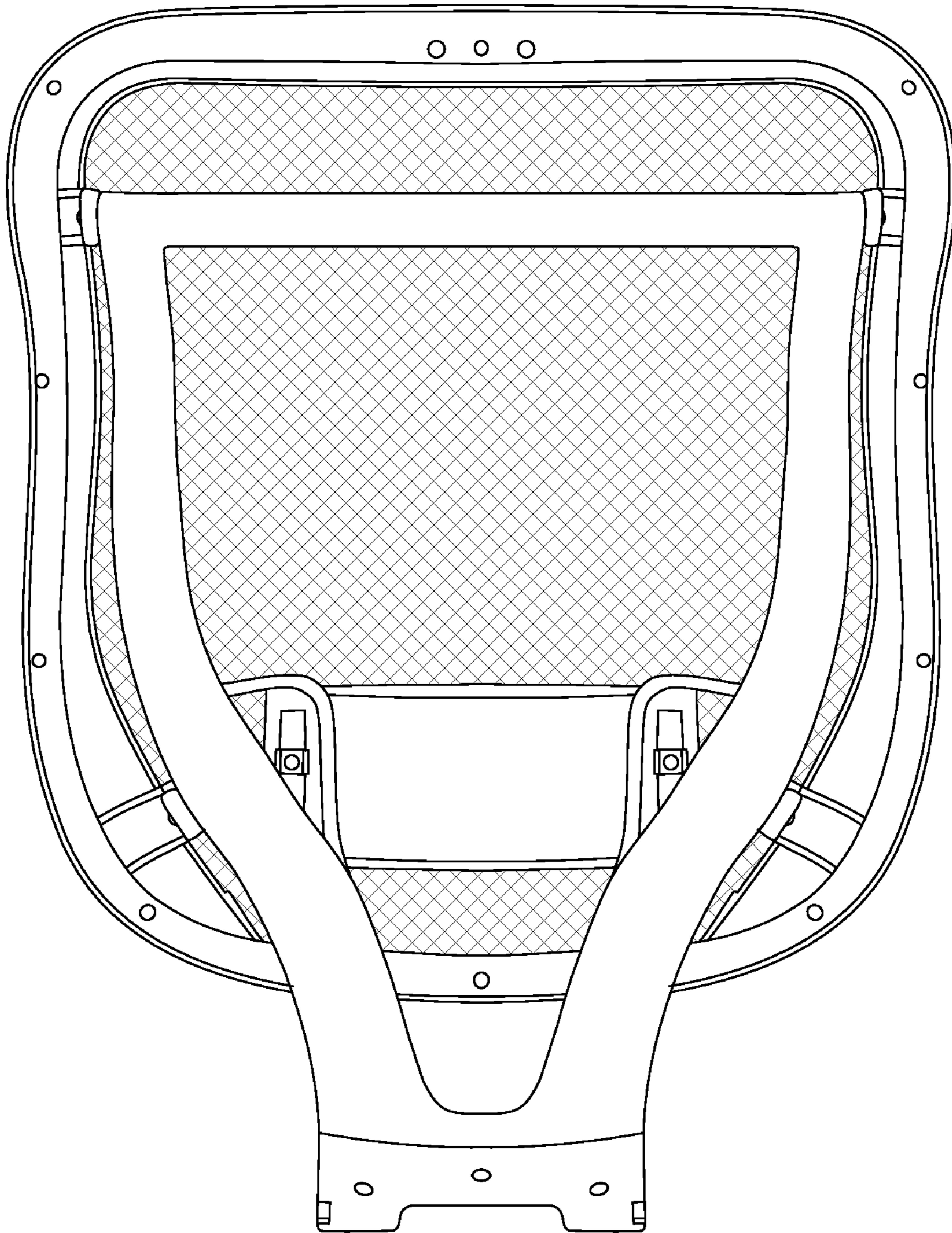


FIG. 2





F I G . 3

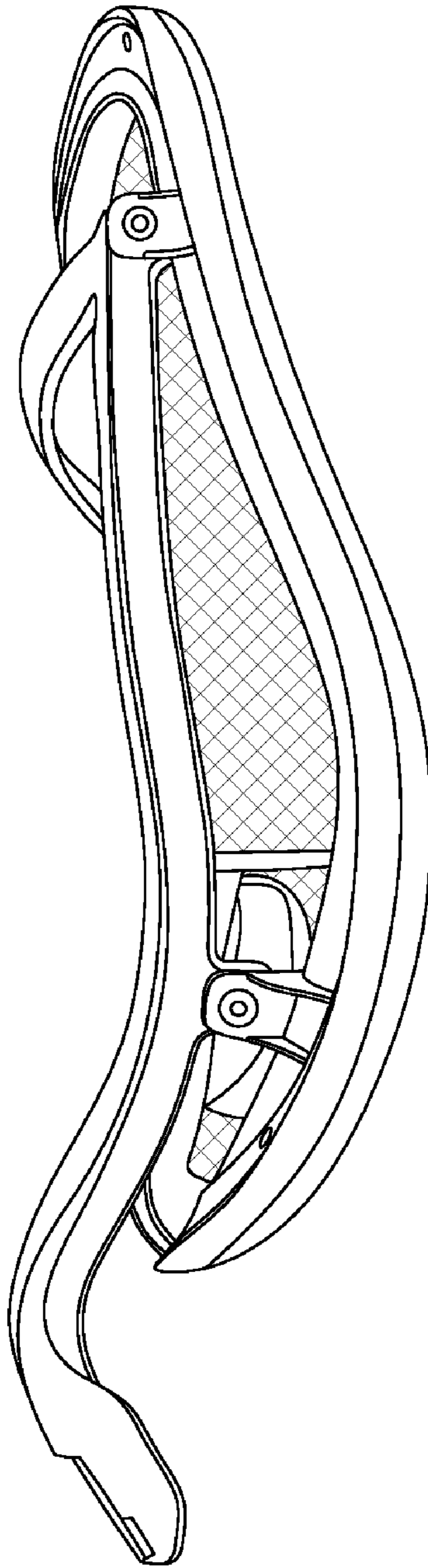
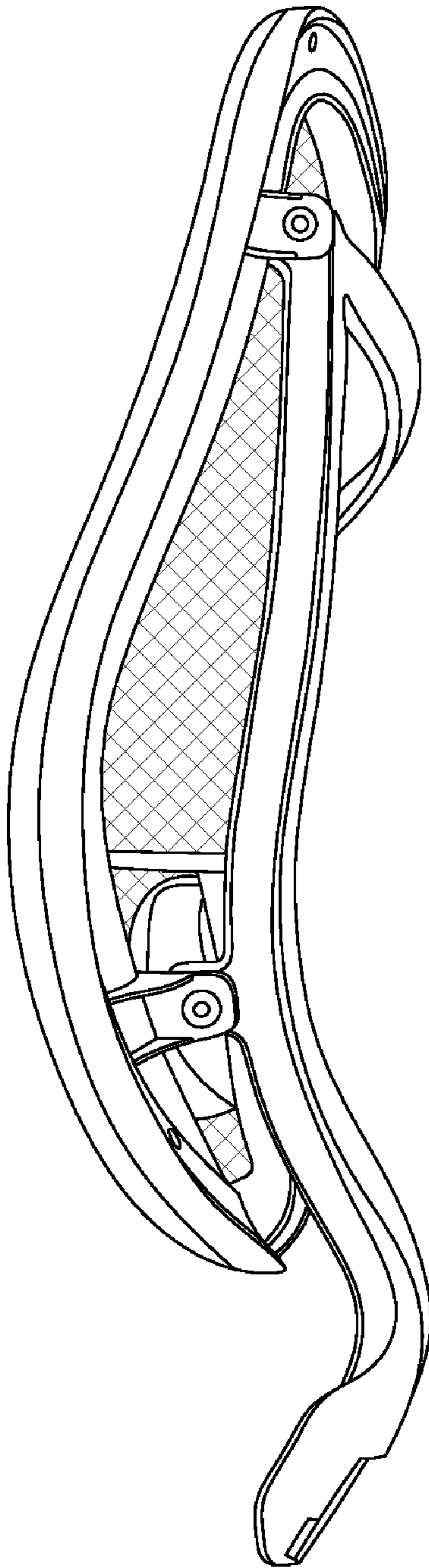
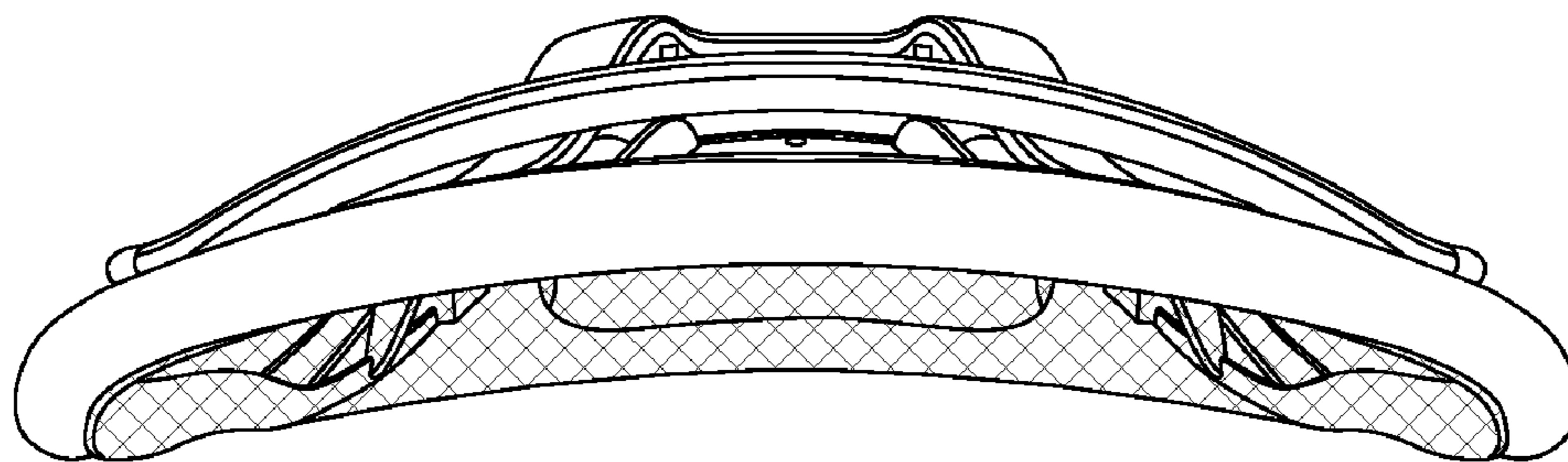


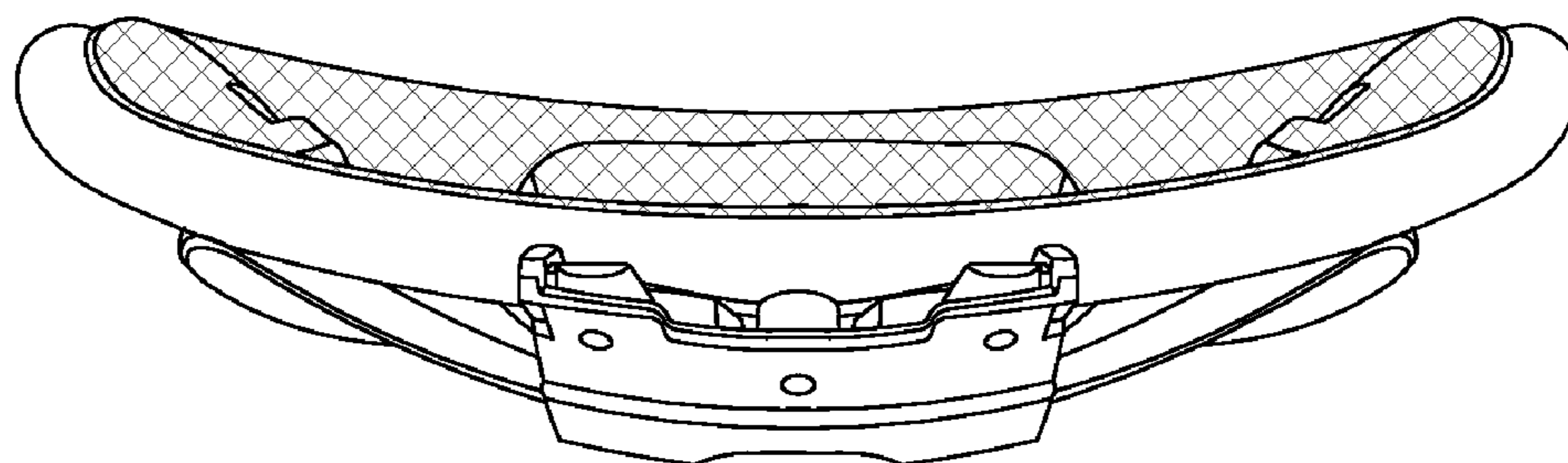
FIG. 4



F I G . 5



F I G . 6



F I G . 7