



US00D600476S

(12) **United States Design Patent**
Stoller

(10) **Patent No.:** **US D600,476 S**

(45) **Date of Patent:** **** Sep. 22, 2009**

(54) **TABLE**

D586,591 S * 2/2009 Stoller D6/495

(75) Inventor: **Evan Stoller**, Chatham, NY (US)

* cited by examiner

(73) Assignee: **Stoller Works Inc.**, Chatham, NY (US)

Primary Examiner—Janice E Seeger

(**) Term: **14 Years**

(74) *Attorney, Agent, or Firm*—Gottlieb, Rackman & Reisman, P.C.

(21) Appl. No.: **29/322,083**

(57) **CLAIM**

(22) Filed: **Jul. 29, 2008**

The ornamental design for a table, as shown and described.

(51) **LOC (9) Cl.** **06-03**

DESCRIPTION

(52) **U.S. Cl.** **D6/499**

FIG. 1 is a top, front and left perspective view of my new design;

(58) **Field of Classification Search** D6/480–489,
D6/495–499, 439–431, 423, 477–479; 108/150,
108/153.1, 155, 156, 161, 115, 118, 131,
108/129, 132, 120; 248/188, 188.1, 188.8
See application file for complete search history.

FIG. 2 is a left elevational view thereof, the right side being a mirror image;

FIG. 3 is a front elevational view thereof, the rear view being a mirror image;

(56) **References Cited**

FIG. 4 is a top plan view thereof; and,

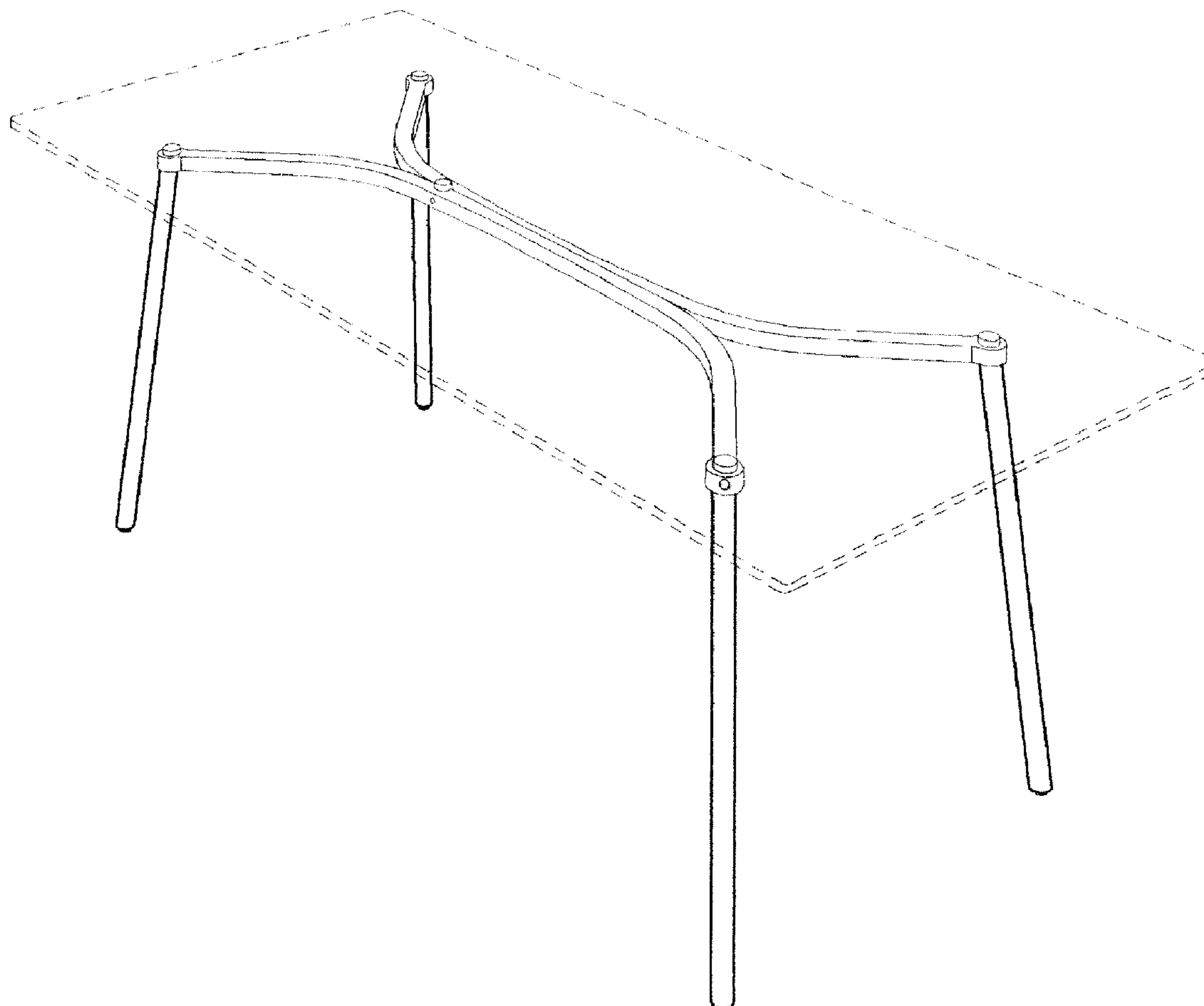
U.S. PATENT DOCUMENTS

FIG. 5 is a bottom plan view thereof.

The tabletop is shown in broken lines for illustrative purposes only and forms no part of the claimed design.

- D278,577 S * 4/1985 Gwathmey et al. D6/484
- D299,196 S * 1/1989 Frinier D6/499
- D332,363 S * 1/1993 Hollein D6/484
- D376,712 S * 12/1996 Mezger D6/487

1 Claim, 5 Drawing Sheets



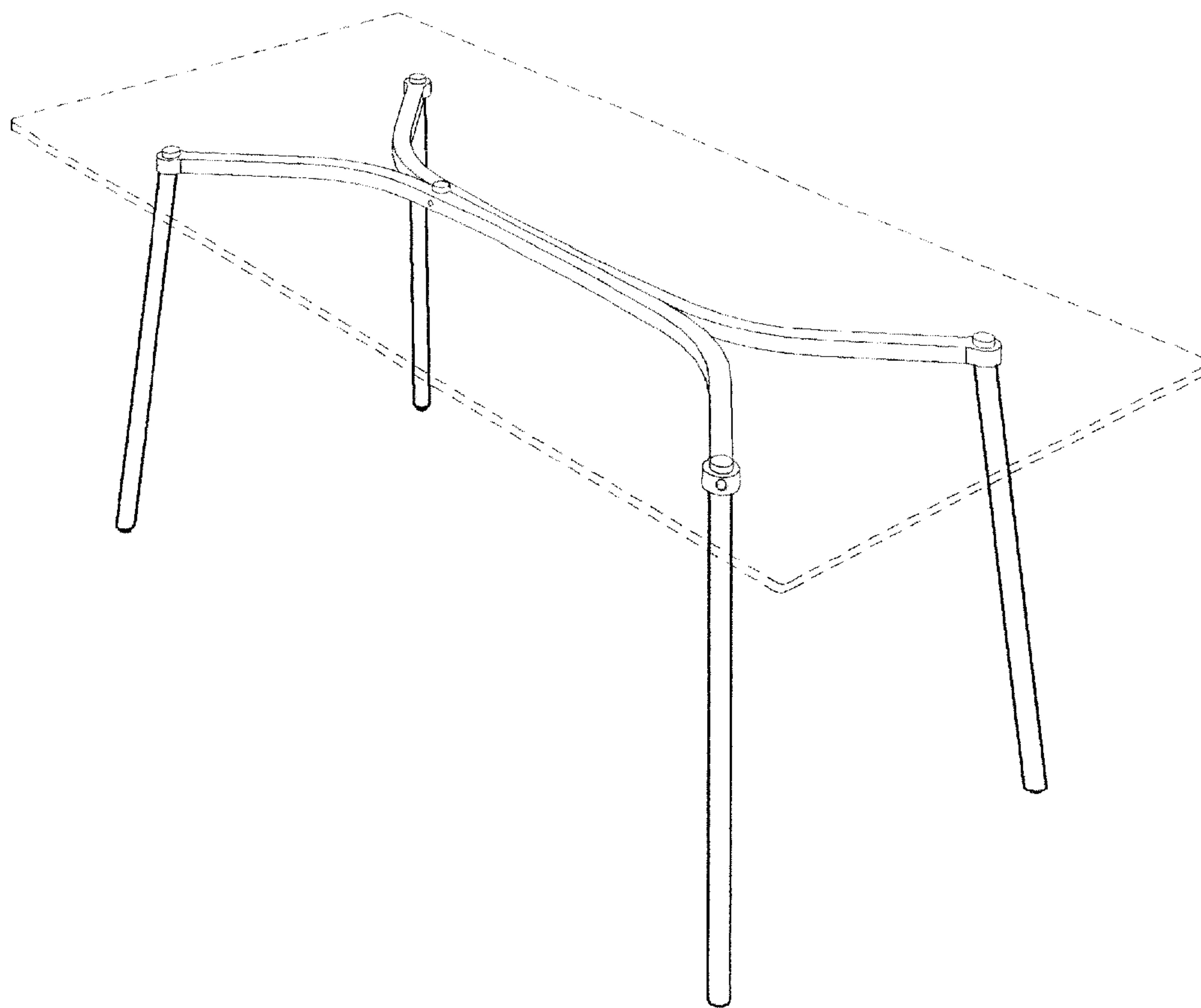


Fig. 1

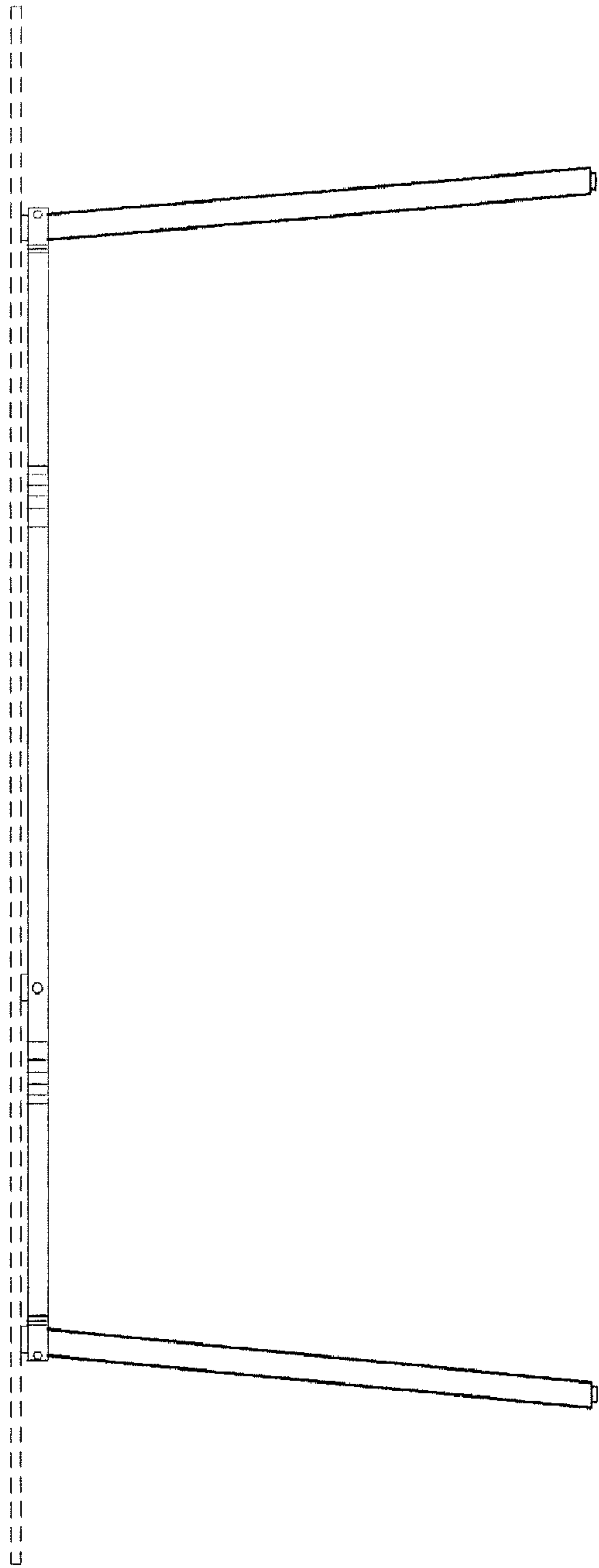


Fig. 2

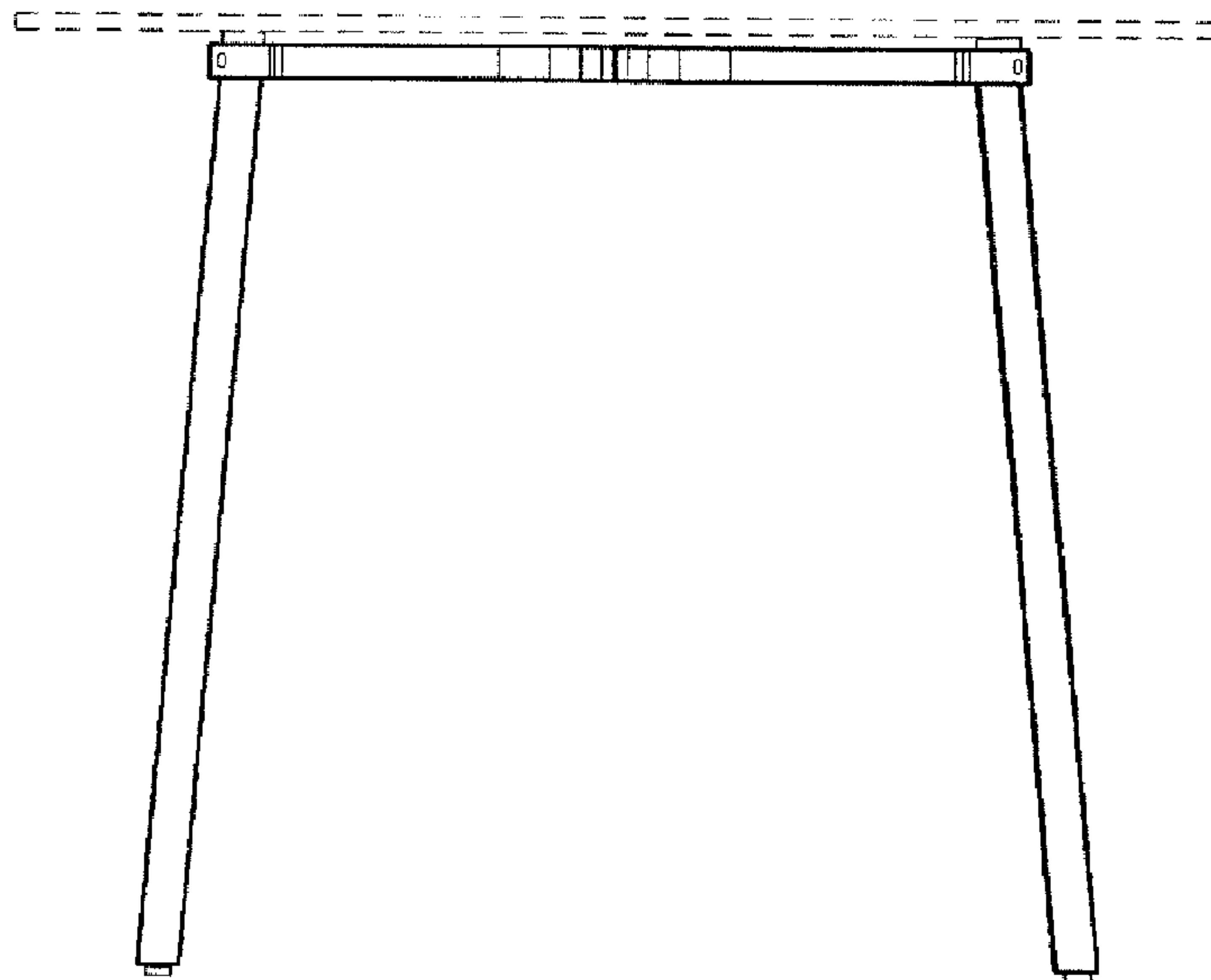


Fig. 3

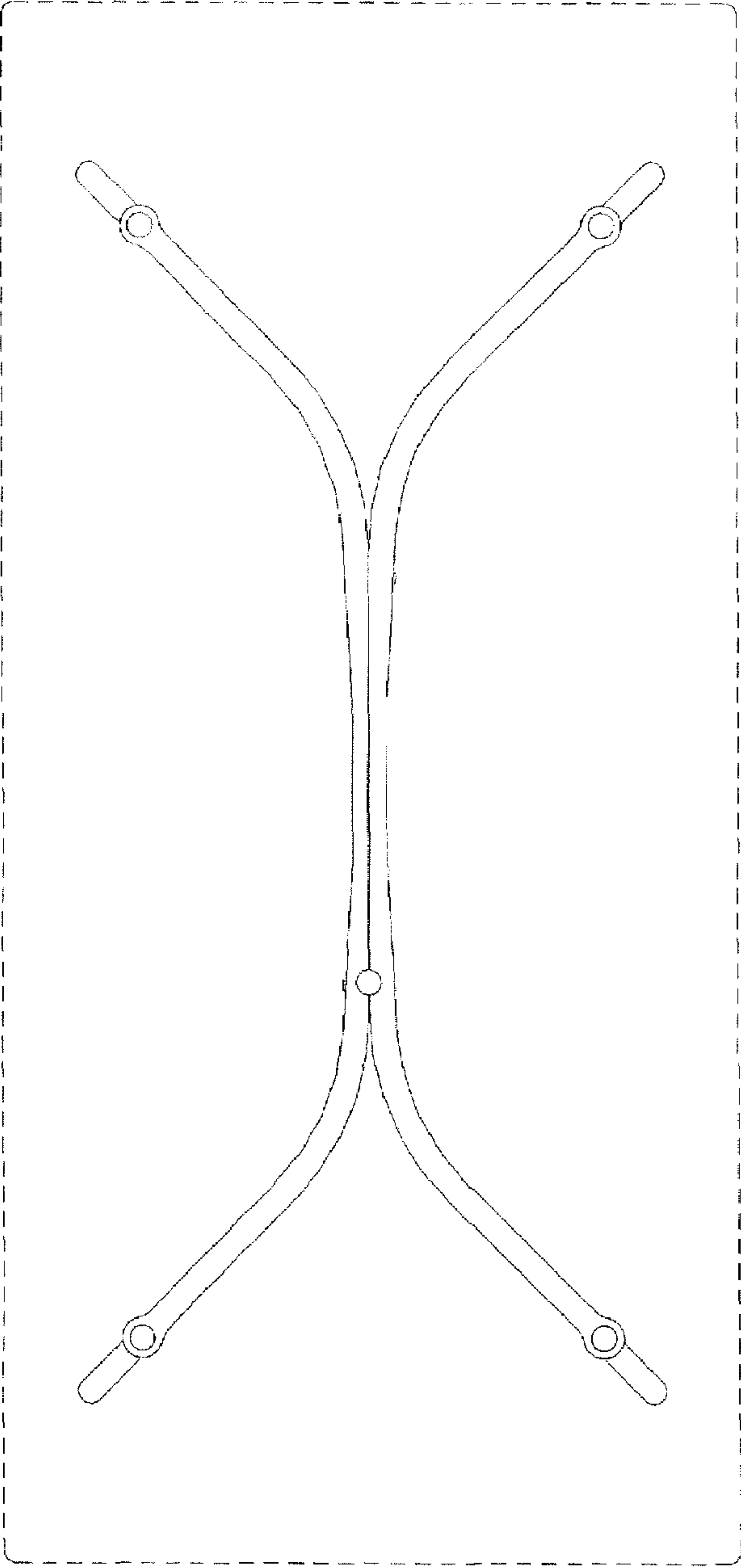


Fig. 4

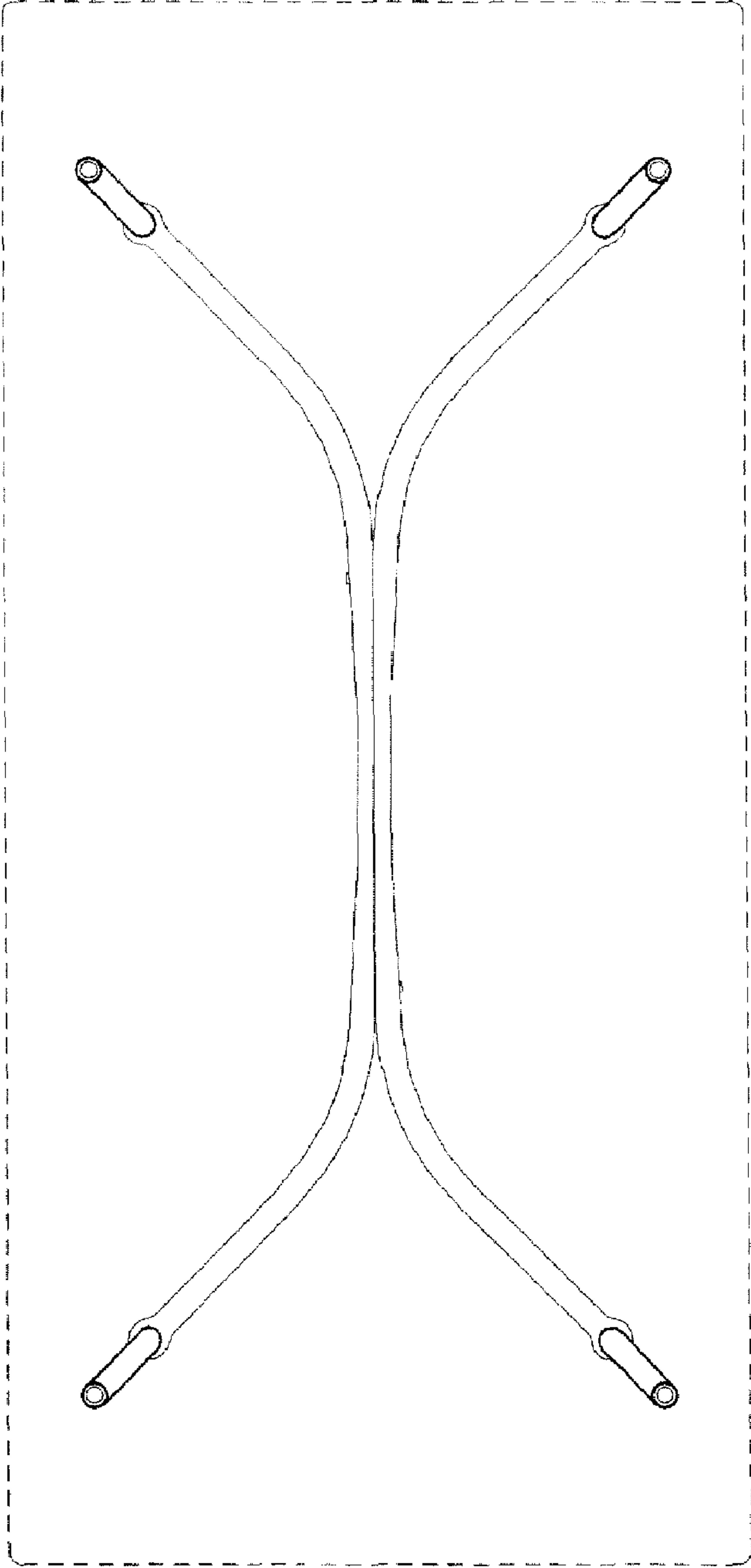


Fig. 5