



US00D600475S

(12) **United States Design Patent**
Ide

(10) **Patent No.:** **US D600,475 S**

(45) **Date of Patent:** **** Sep. 22, 2009**

(54) **GRAPHIC DISPLAY STAND**

D433,253 S * 11/2000 Gingrich et al. D6/479

(76) Inventor: **Ryojin Ide**, #33, 6-5-36, Minami
Aoyama, Minato-ku, Tokyo 107-0062
(JP)

* cited by examiner

Primary Examiner—Caron Veynar
Assistant Examiner—Sydney R Buffalow
(74) *Attorney, Agent, or Firm*—McGlew and Tuttle, P.C.

(**) Term: **14 Years**

(21) Appl. No.: **29/327,024**

(22) Filed: **Oct. 29, 2008**

(57) **CLAIM**

The ornamental design for a graphic display stand, as shown and described.

(30) **Foreign Application Priority Data**

Oct. 1, 2008 (JP) 2008-025261

DESCRIPTION

(51) **LOC (9) Cl.** **06-04**

(52) **U.S. Cl.** **D6/449**

(58) **Field of Classification Search** D6/467,
D6/458, 462, 479, 407, 509, 491, 511, 492,
D6/449; D14/239, 217, 448, 224, 451, 452;
40/606.01, 607.01

See application file for complete search history.

FIG. 1 is a perspective view of a graphic display stands showing my new design;

FIG. 2 is a front view thereof;

FIG. 3 is a rear view thereof;

FIG. 4 is a top view thereof;

FIG. 5 is a bottom view thereof; and,

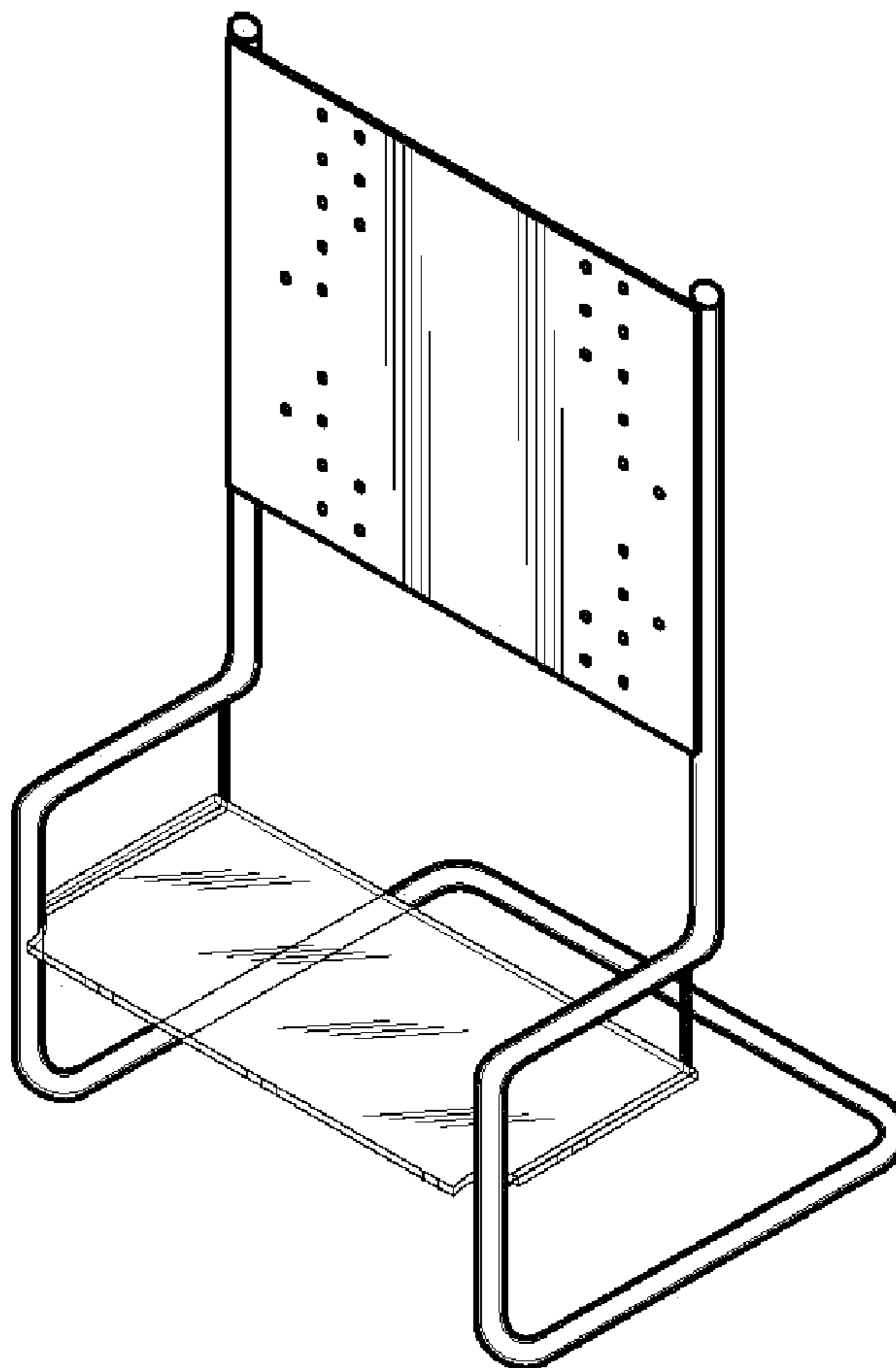
FIG. 6 is a right side view.

(56) **References Cited**

U.S. PATENT DOCUMENTS

D321,300 S * 11/1991 Postic D6/511

1 Claim, 3 Drawing Sheets



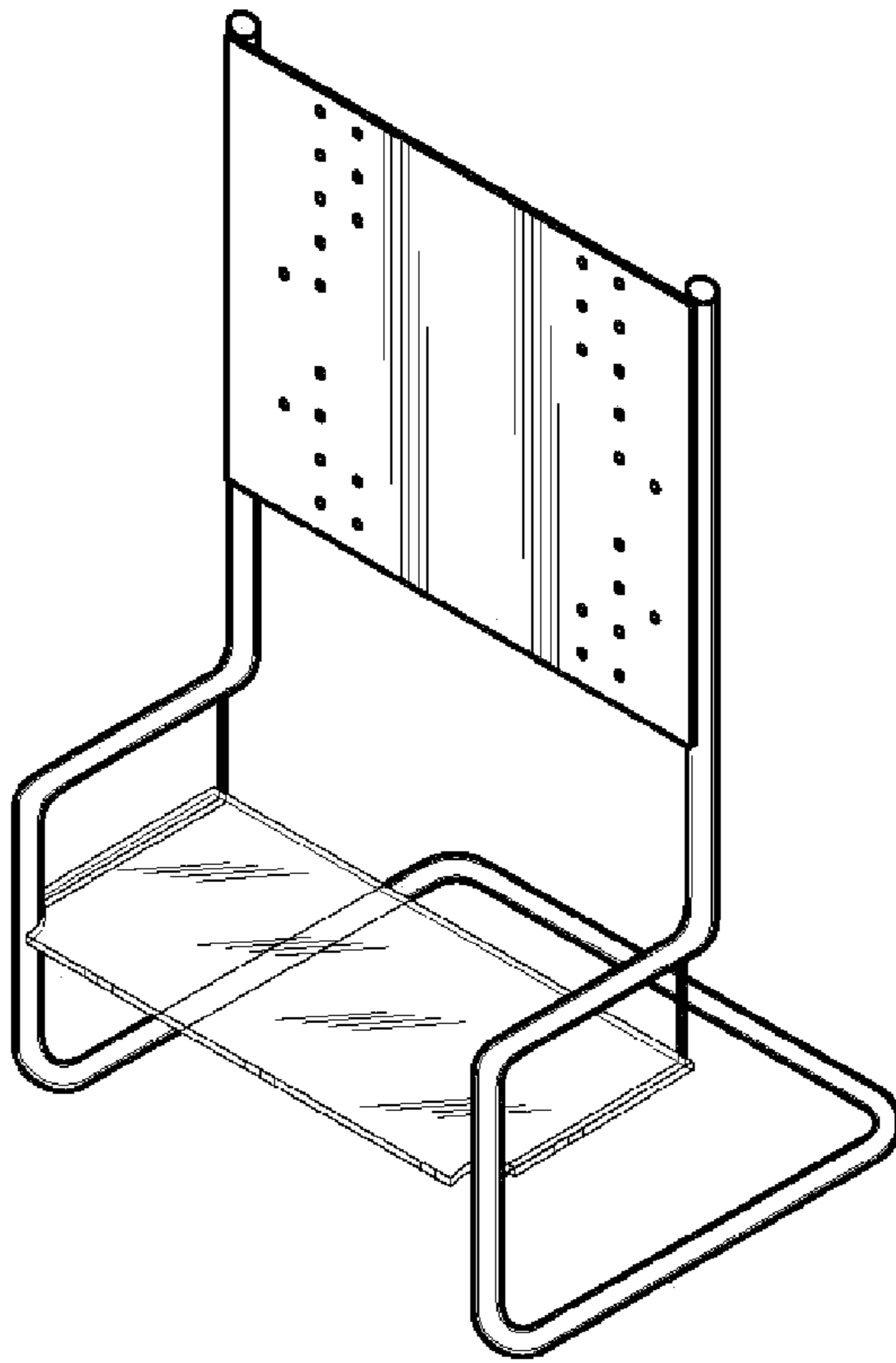


Fig. 1

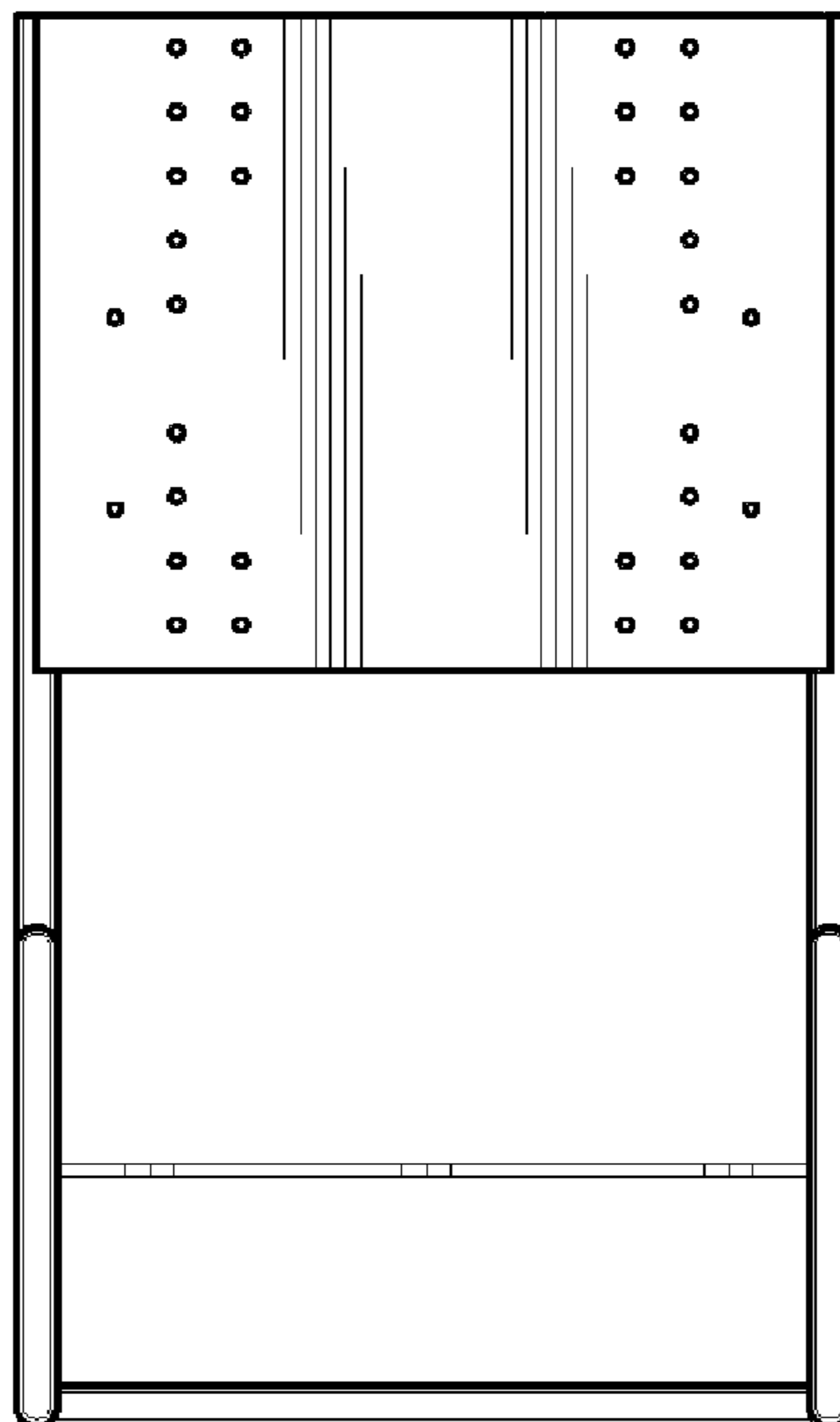


Fig. 2

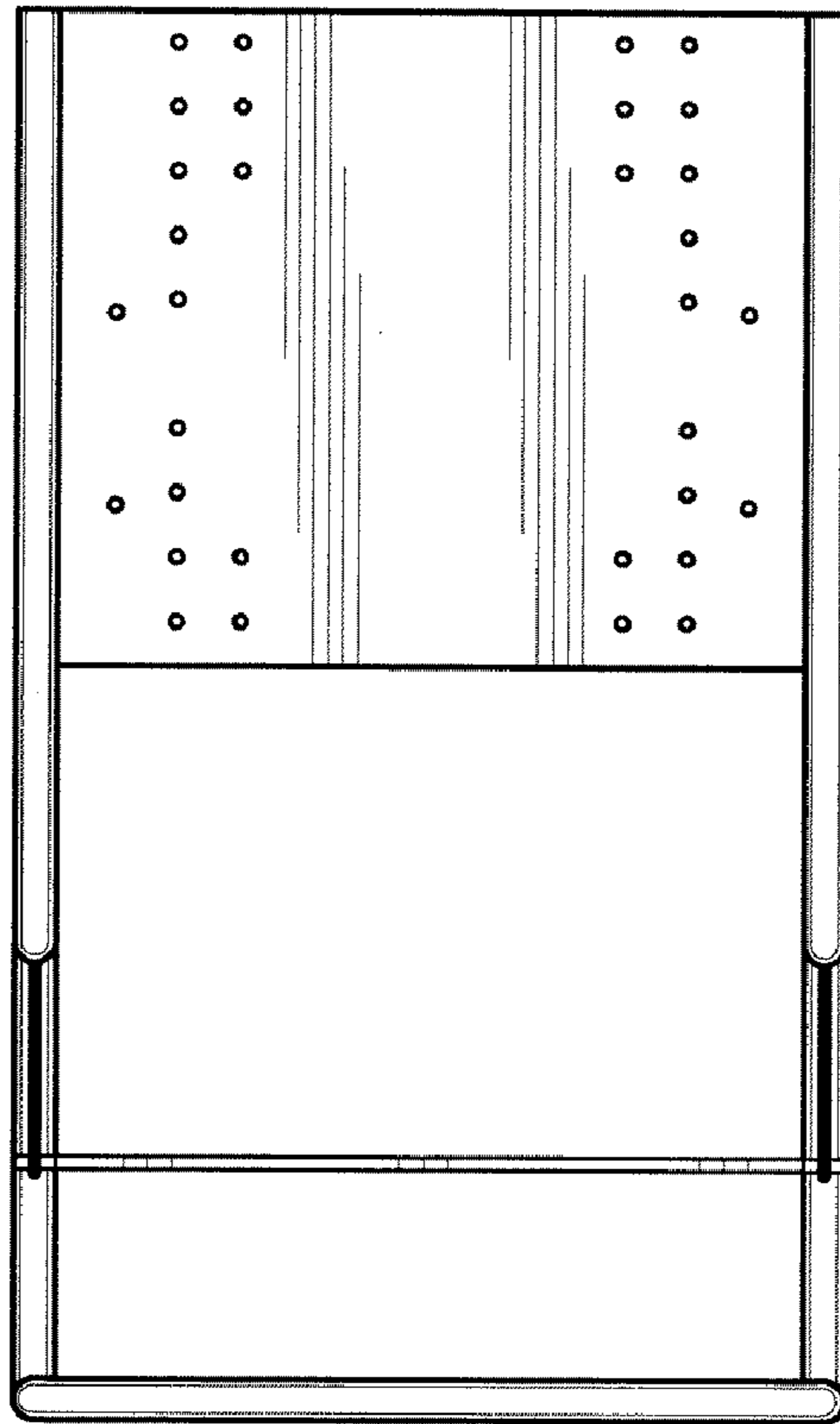


Fig. 3

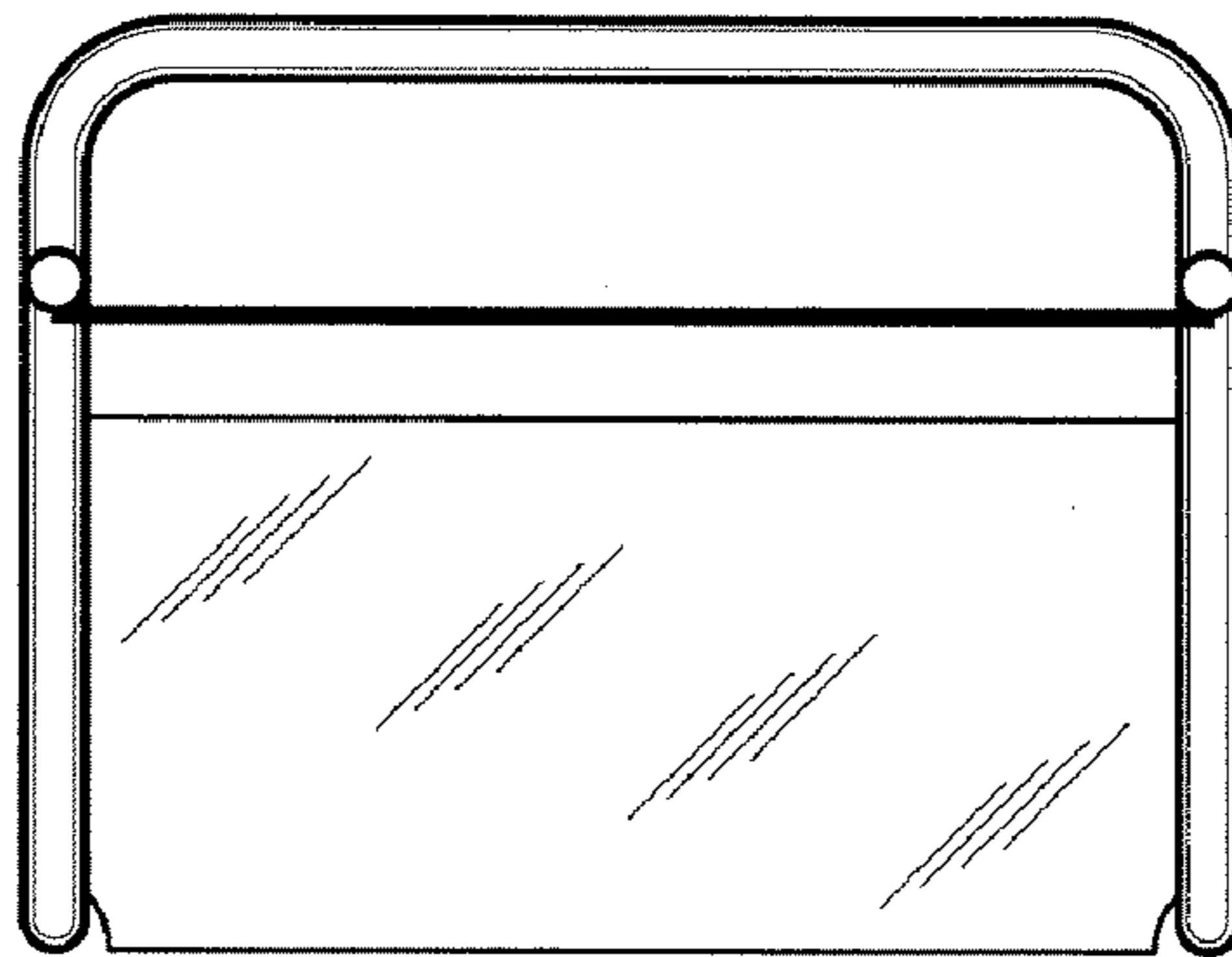


Fig. 4

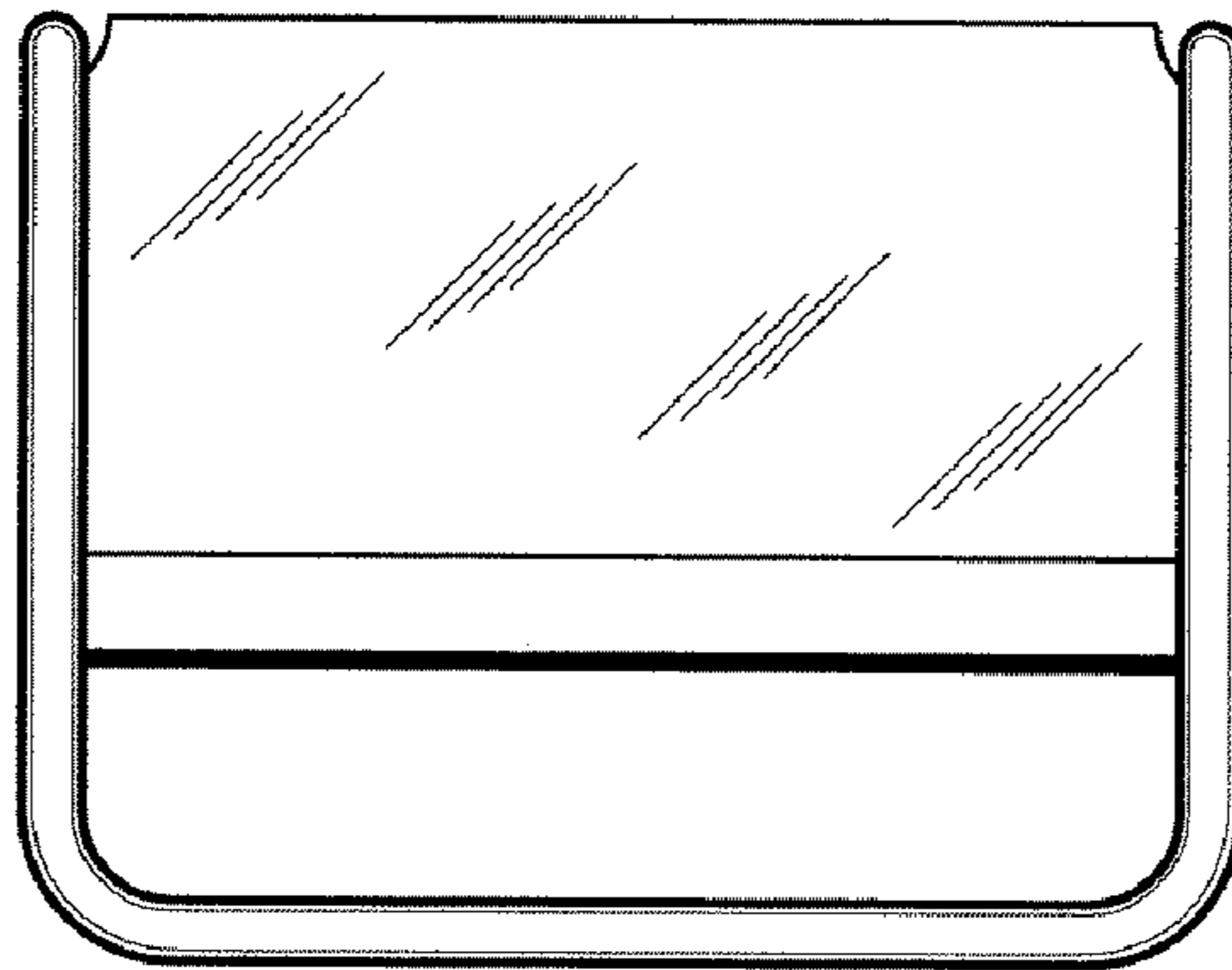


Fig. 5

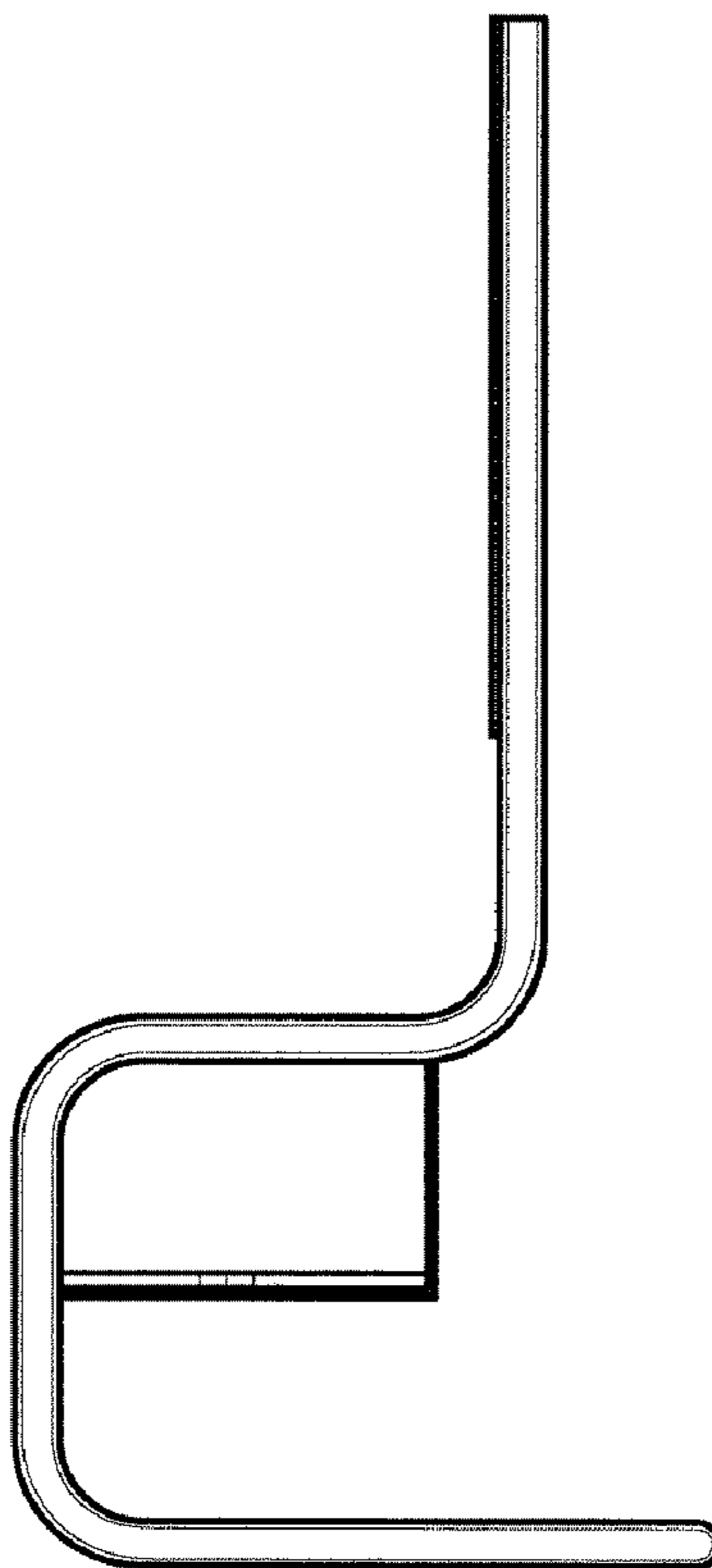


Fig. 6