



US00D600470S

(12) **United States Design Patent**  
**Chang**

(10) **Patent No.:** **US D600,470 S**

(45) **Date of Patent:** **\*\* Sep. 22, 2009**

(54) **COMPUTER TABLE**

(76) Inventor: **Chien-Kuo Chang**, 10-2 No. 447, 3  
Sec., Wen-Hsin Rd., Taichung City (TW)  
406

(\*\*) Term: **14 Years**

(21) Appl. No.: **29/318,260**

(22) Filed: **May 16, 2008**

(51) **LOC (9) Cl.** ..... **06-03**

(52) **U.S. Cl.** ..... **D6/425; D6/426**

(58) **Field of Classification Search** ..... D6/422-428,  
D6/397, 480, 421, 477, 479; 312/194-196,  
312/238; 108/50.01, 50.02

See application file for complete search history.

(56) **References Cited**

**U.S. PATENT DOCUMENTS**

D456,632 S \* 5/2002 Chang ..... D6/425  
D462,195 S \* 9/2002 Wang ..... D6/425  
D465,941 S \* 11/2002 Ko ..... D6/422

D469,977 S \* 2/2003 Wang ..... D6/425  
D505,567 S \* 5/2005 Chang ..... D6/425  
D573,367 S \* 7/2008 Chang ..... D6/426

\* cited by examiner

*Primary Examiner*—Janice E Seeger

(57) **CLAIM**

The ornamental design for a computer table, as shown.

**DESCRIPTION**

FIG. 1 is a perspective view of a computer table showing my new design thereof;

FIG. 2 is a front elevational view thereof;

FIG. 3 is a rear elevational view thereof;

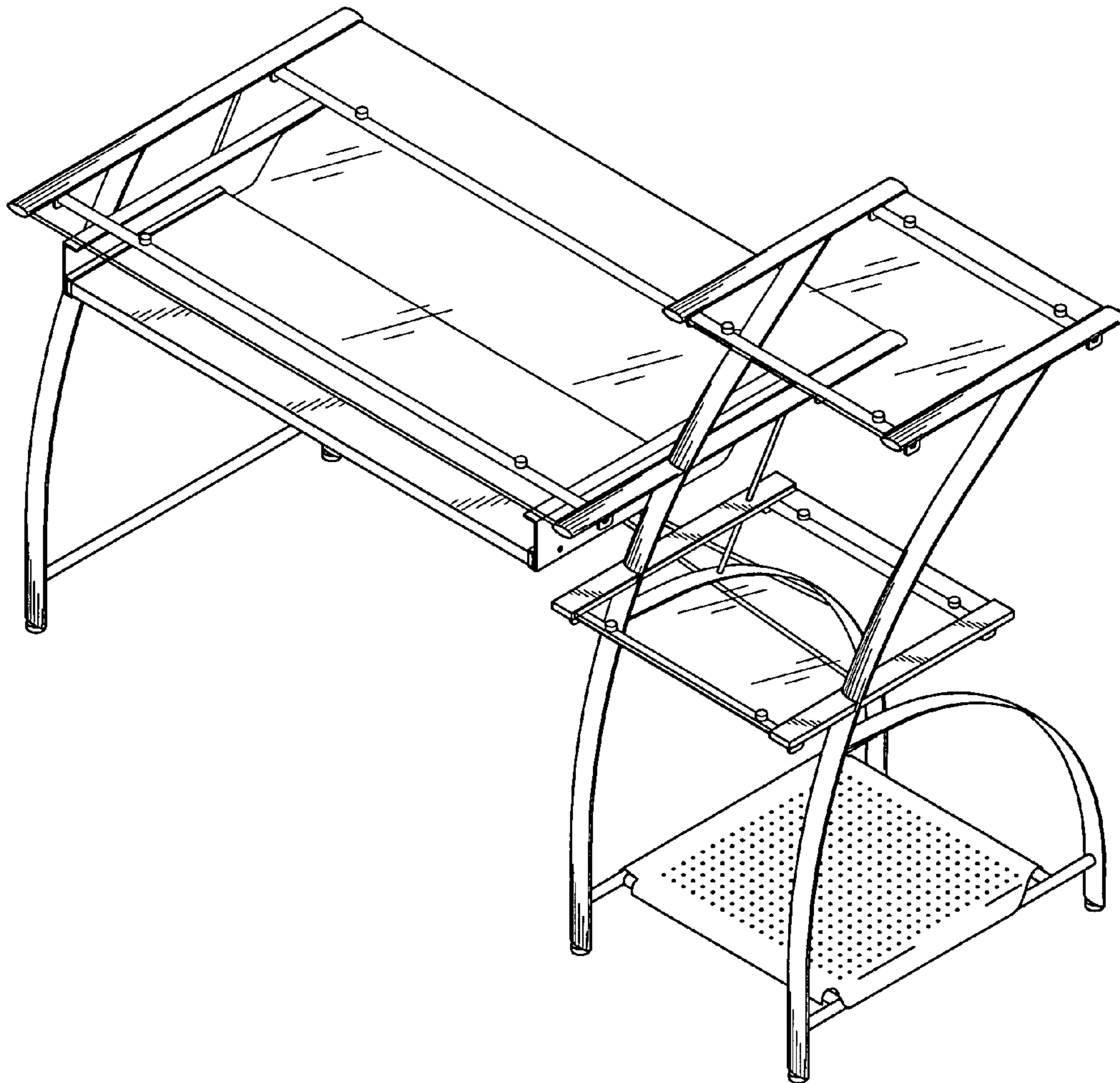
FIG. 4 is a left side elevational view thereof;

FIG. 5 is a right side elevational view thereof;

FIG. 6 is a top plan view thereof; and,

FIG. 7 is a bottom plan view thereof.

**1 Claim, 6 Drawing Sheets**



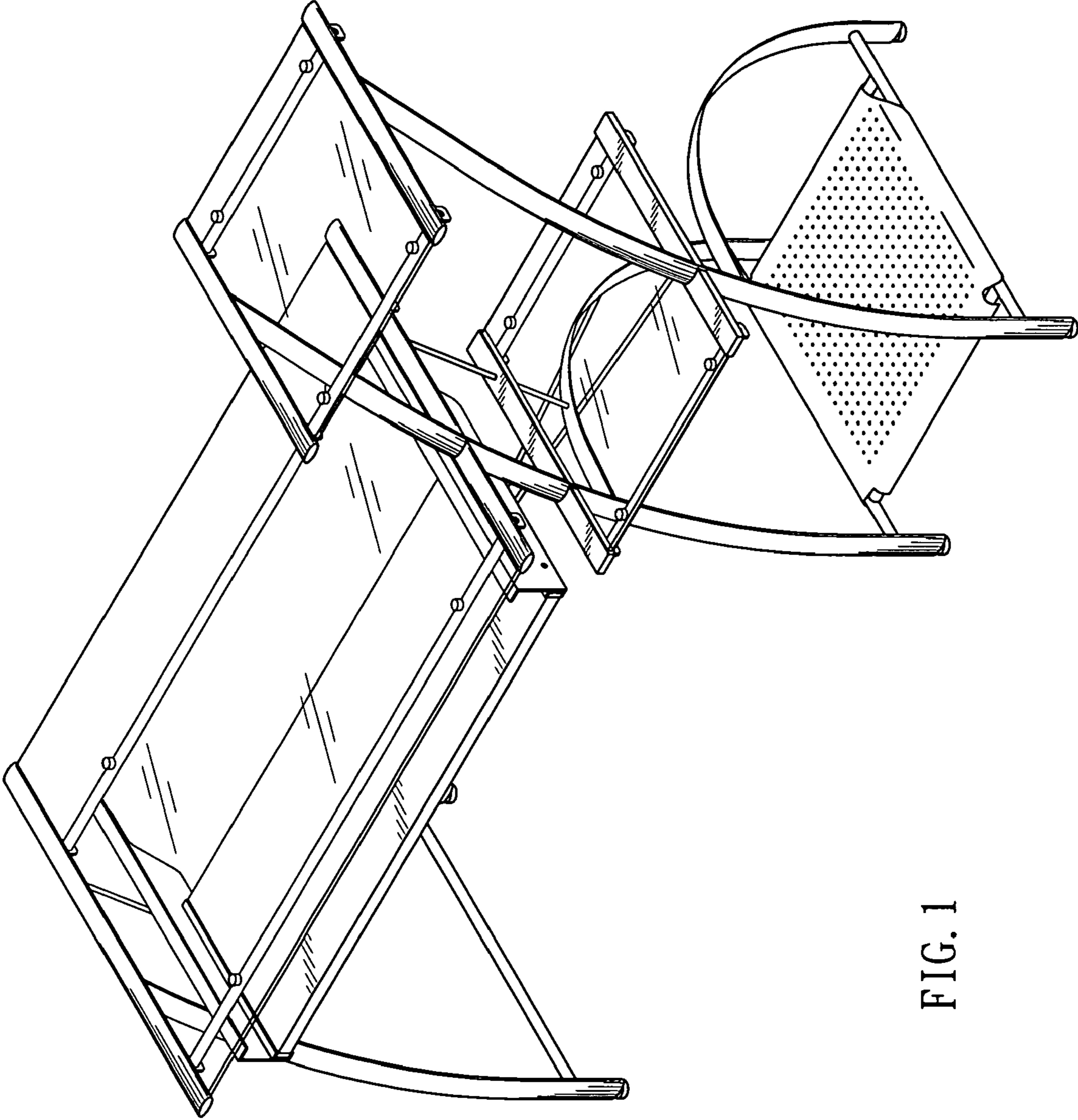


FIG. 1

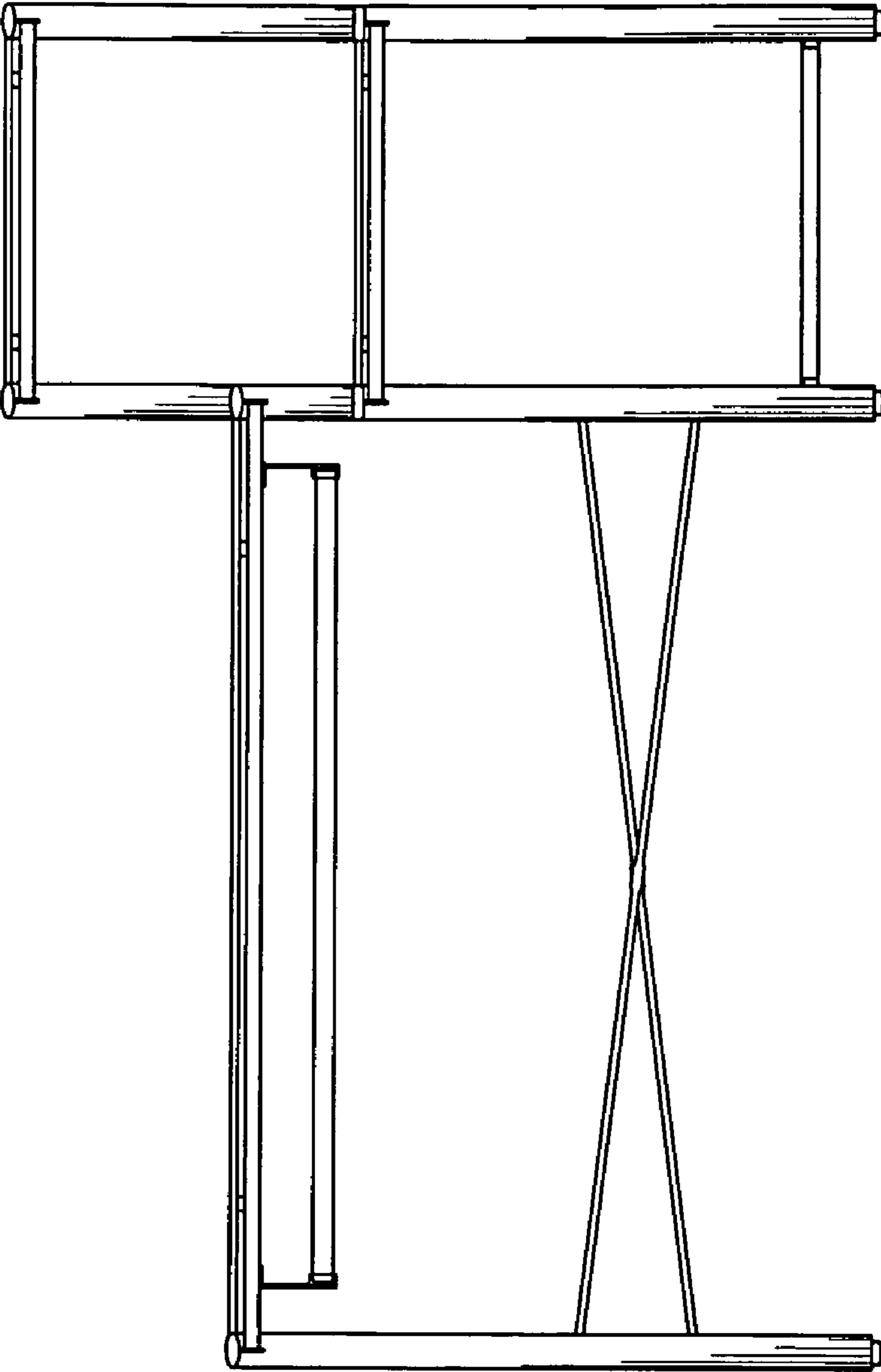


FIG. 2

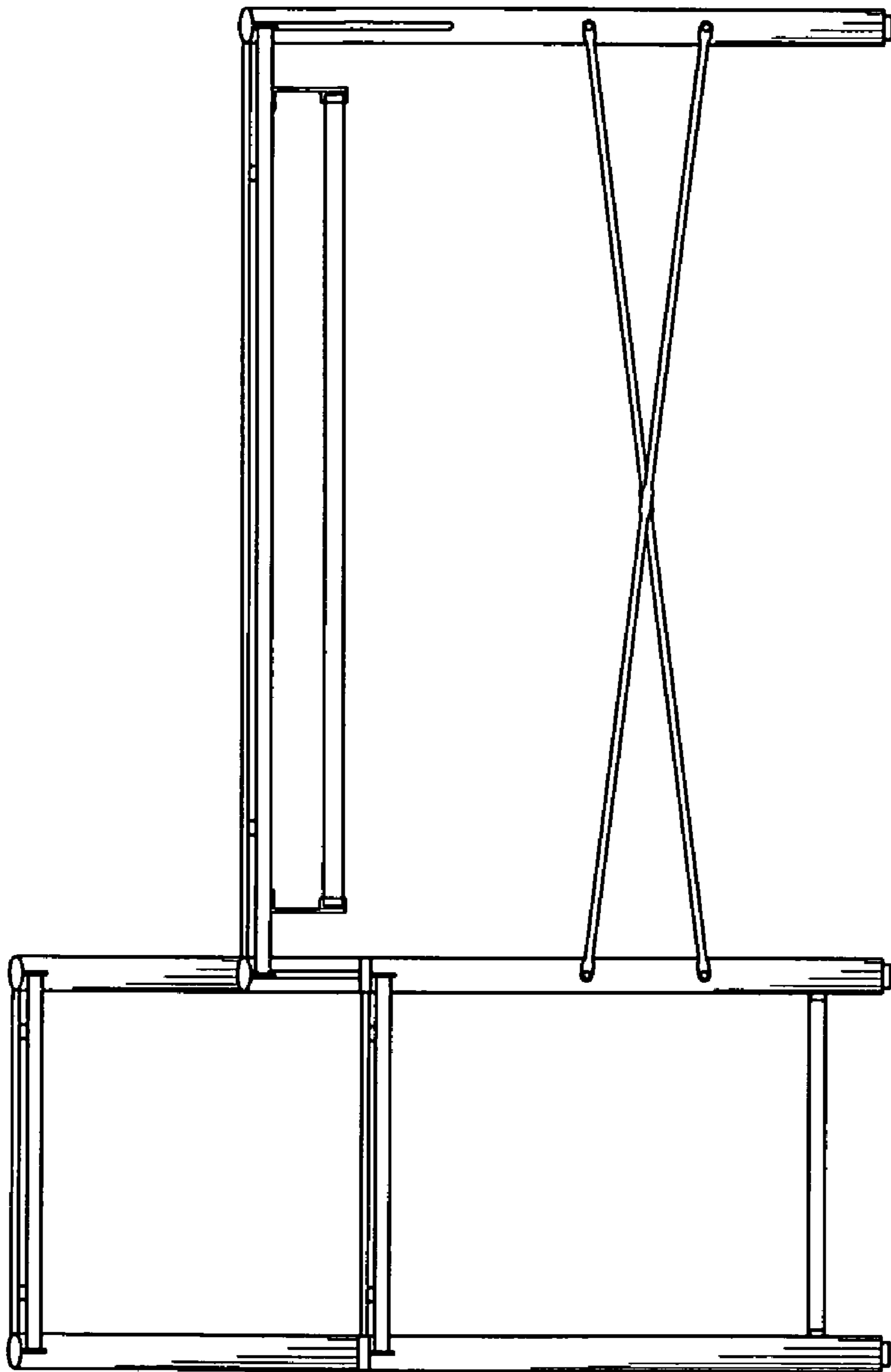


FIG. 3

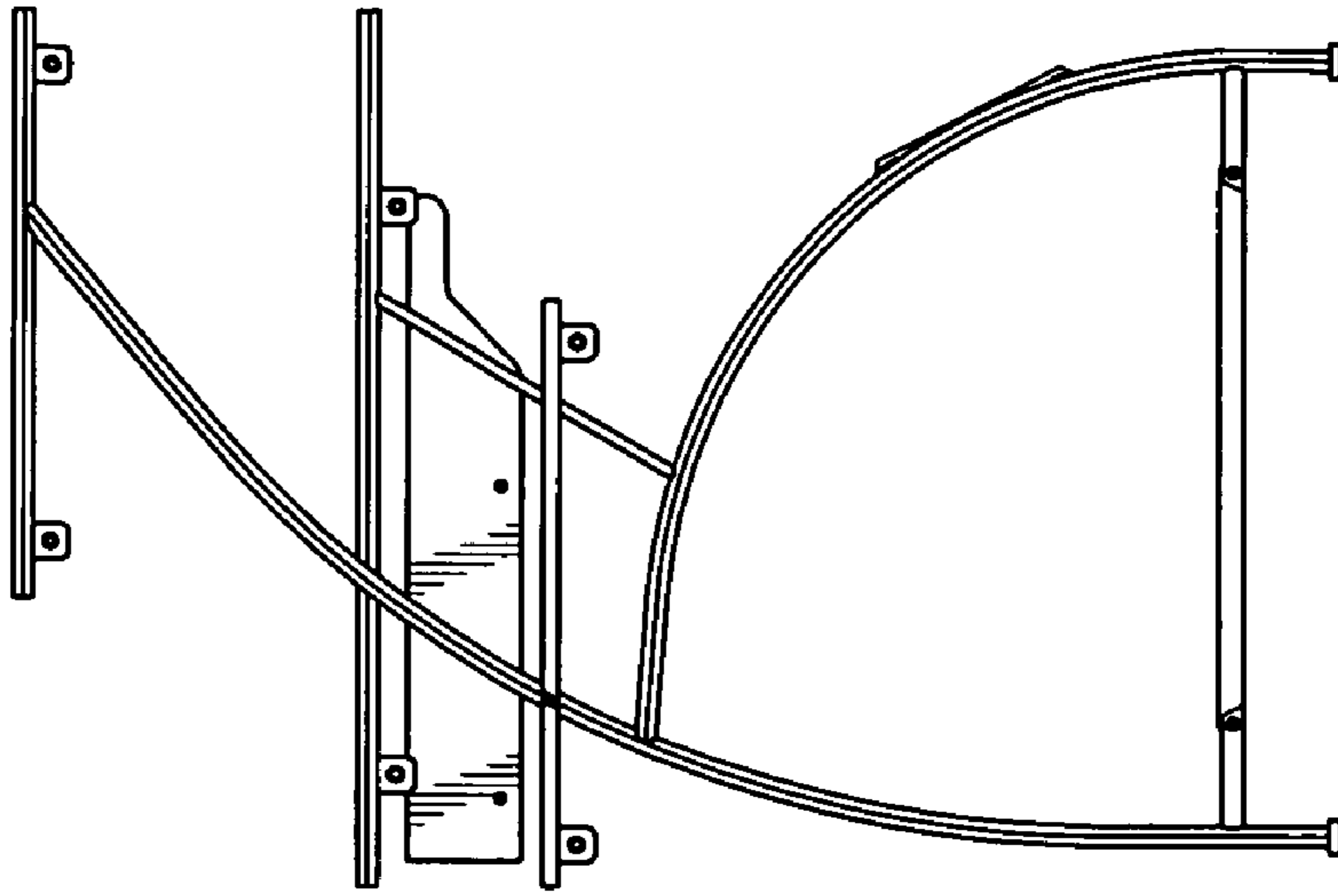


FIG. 5

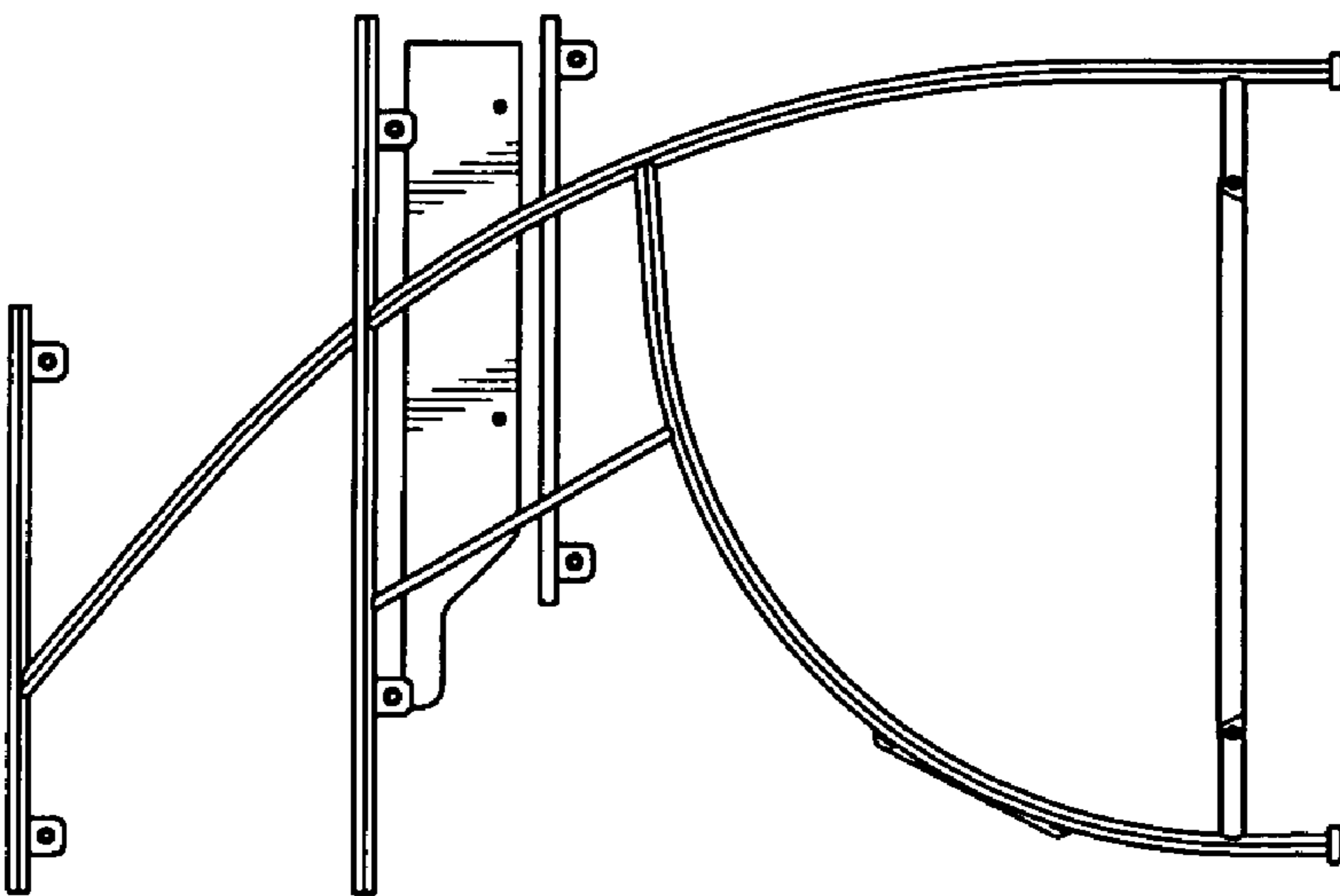


FIG. 4

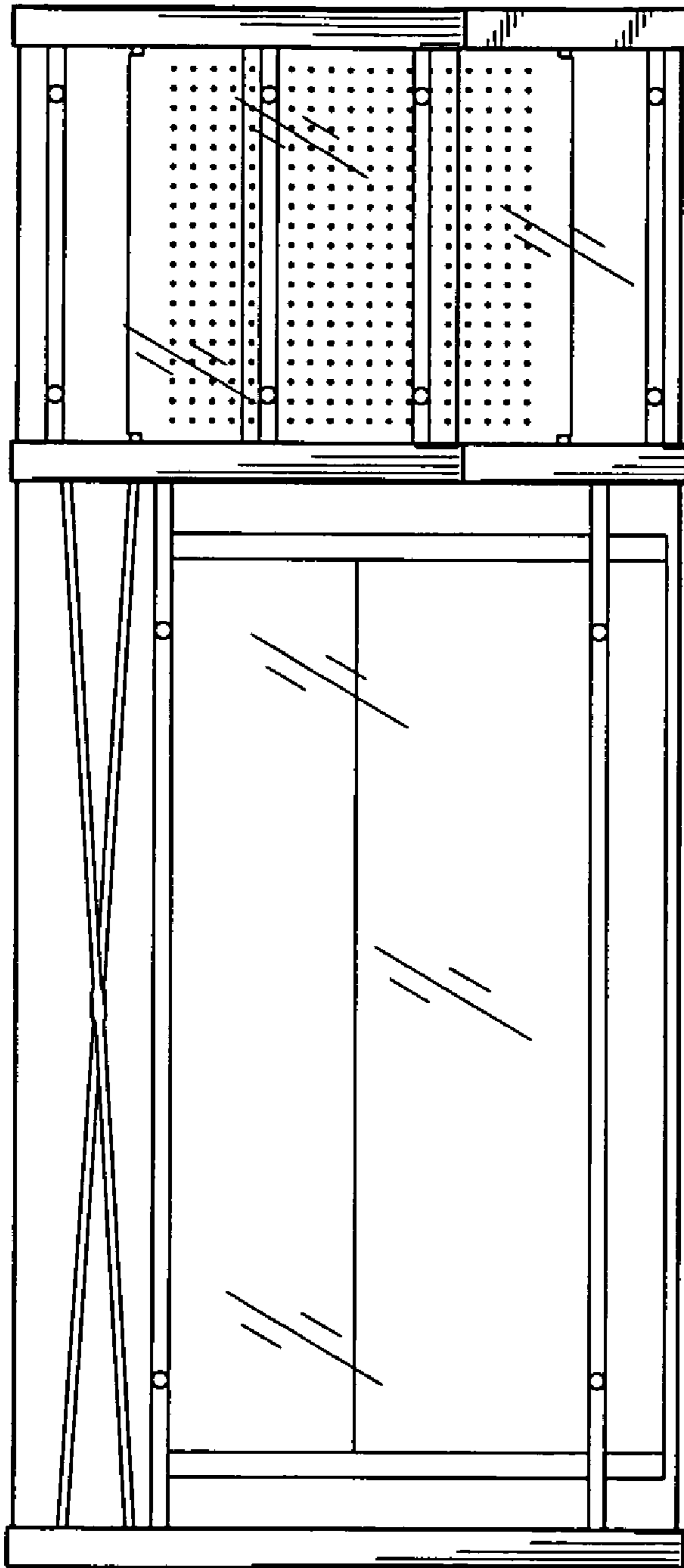


FIG. 6



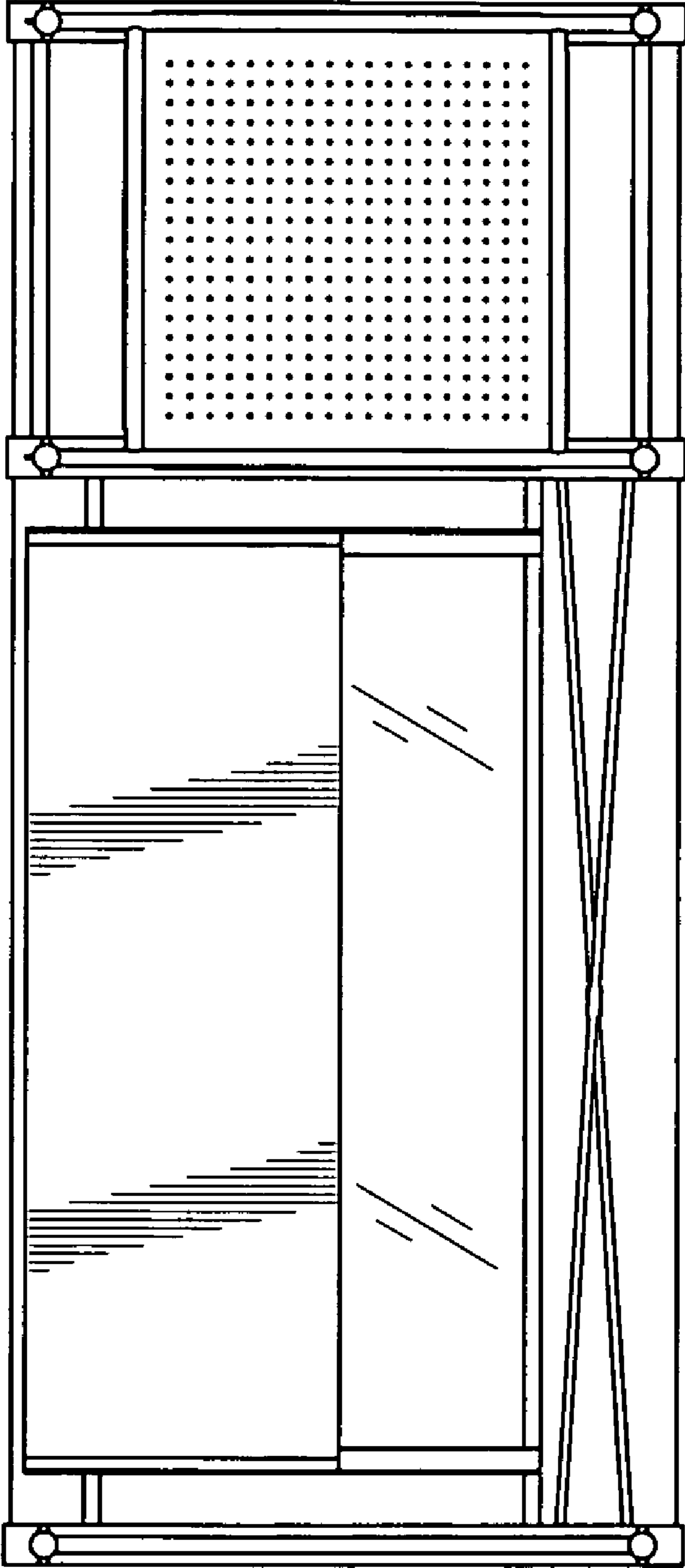


FIG. 7