



US00D600469S

(12) **United States Design Patent**
Bonatz

(10) **Patent No.:** **US D600,469 S**

(45) **Date of Patent:** **** Sep. 22, 2009**

(54) **DOUBLE-DECKER BED**

(76) **Inventor:** **Richard Bonatz**, 2150 Northmont
Pkwy., Suite A, Duluth, GA (US) 30096

(**) **Term:** **14 Years**

(21) **Appl. No.:** **29/323,367**

(22) **Filed:** **Aug. 25, 2008**

(51) **LOC (9) Cl.** **06-02**

(52) **U.S. Cl.** **D6/383**

(58) **Field of Classification Search** D6/382-384,
D6/389, 392-395, 505-508; 5/53.1, 907,
5/279.1, 280, 281, 2.1, 8, 9.1, 110
See application file for complete search history.

(56) **References Cited**

U.S. PATENT DOCUMENTS

3,956,781	A *	5/1976	Reemelin	5/114
3,967,327	A *	7/1976	Severson	5/9.1
D274,679	S *	7/1984	Stehlik	D6/392
4,928,333	A *	5/1990	Ewert	5/110

D338,744	S *	8/1993	Marlon et al.	D30/118
D407,575	S *	4/1999	Meoli, Jr.	D6/392
D535,115	S *	1/2007	Roos et al.	D6/382

* cited by examiner

Primary Examiner—Janice E Seeger

(74) *Attorney, Agent, or Firm*—Lackenbach Siegel, LLP

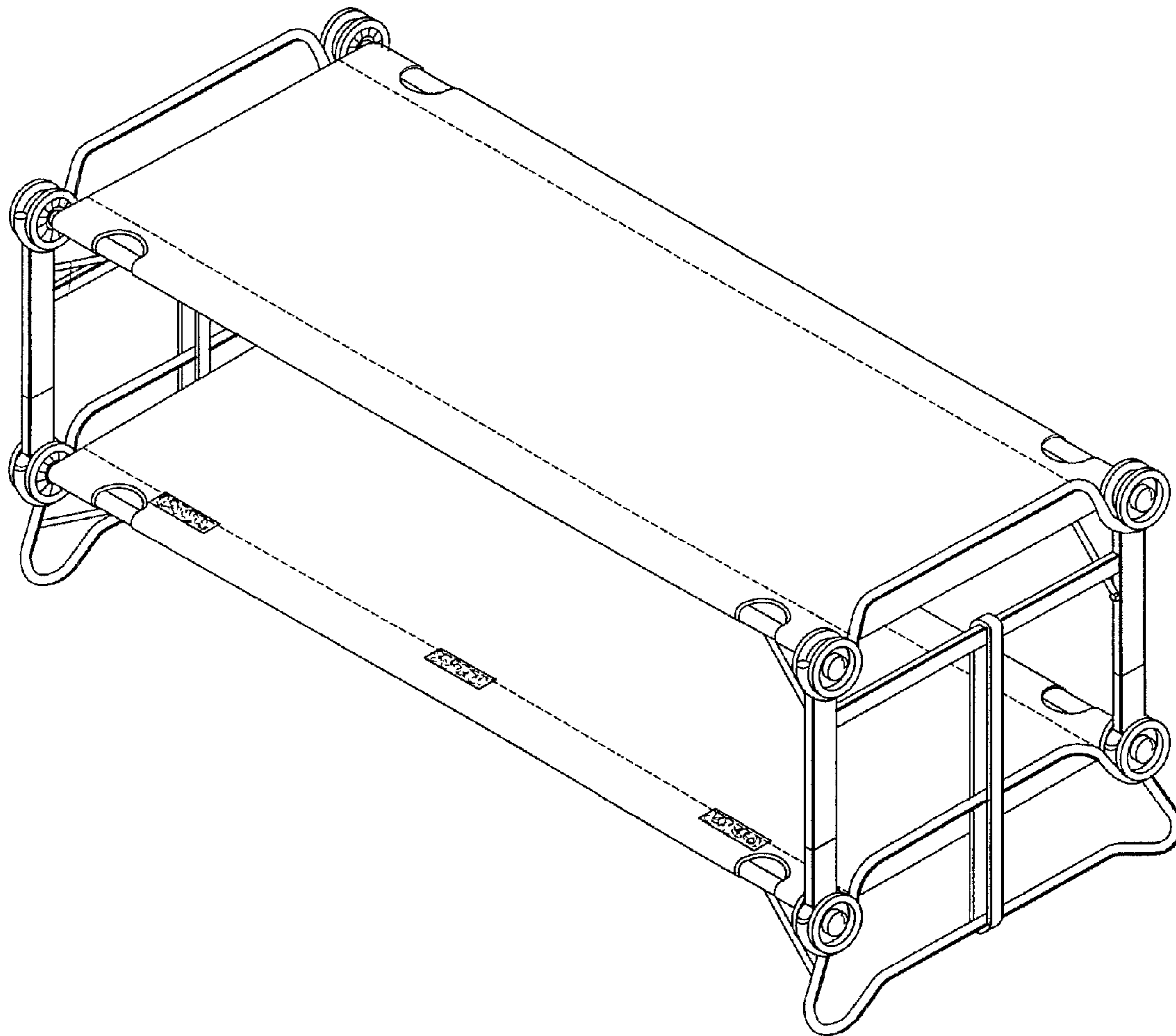
(57) **CLAIM**

The ornamental design for a double-decker bed, as shown and described.

DESCRIPTION

FIG. 1 is a front perspective view of the double-decker bed;
 FIG. 2 is a top plan view of the double-decker bed;
 FIG. 3 is a front and in reverse back elevational view of the double-decker bed;
 FIG. 4 is a left and in reverse right side elevational view of the double-decker bed; and,
 FIG. 5 is a bottom view of the double-decker bed.

1 Claim, 5 Drawing Sheets



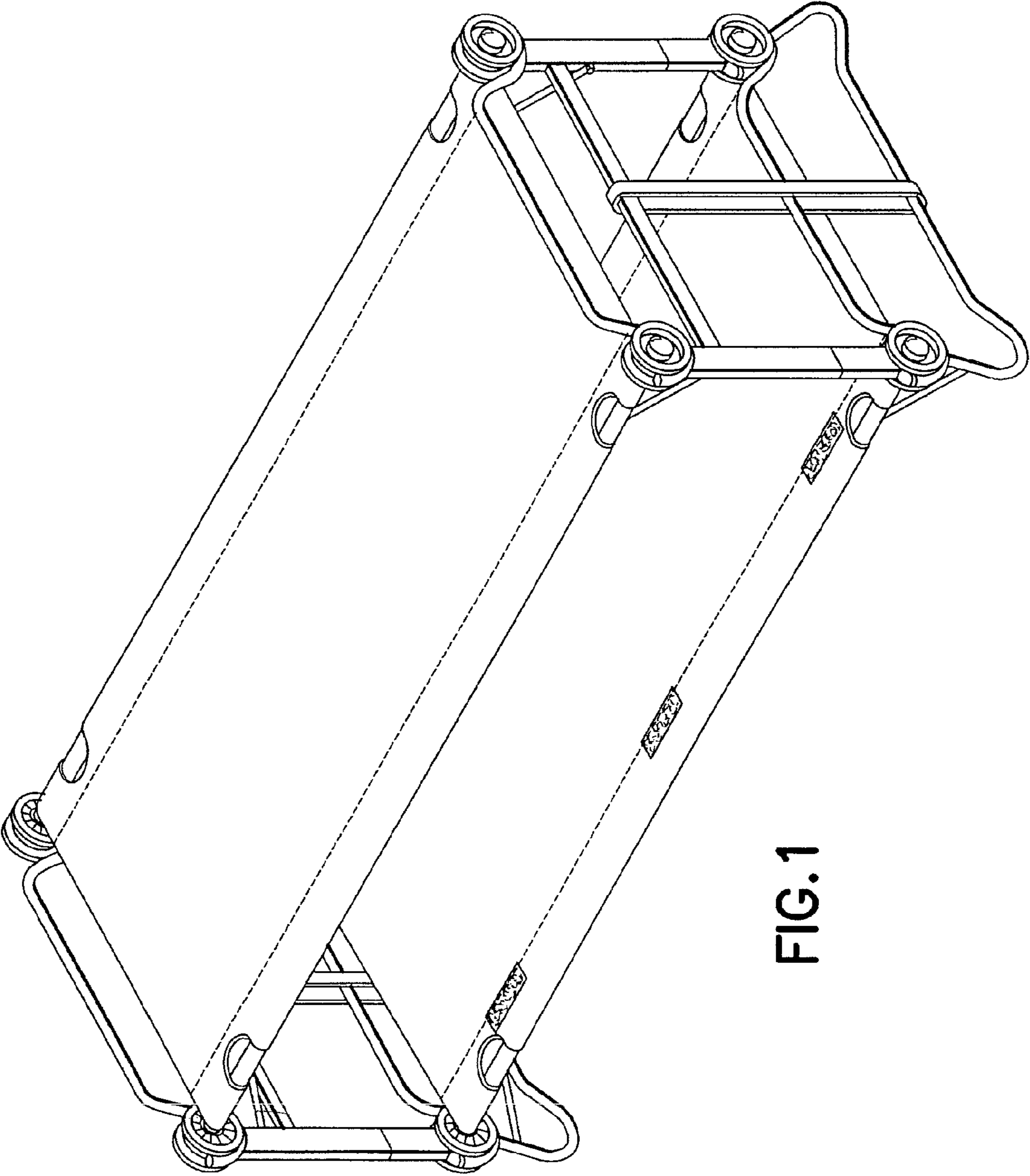


FIG. 1

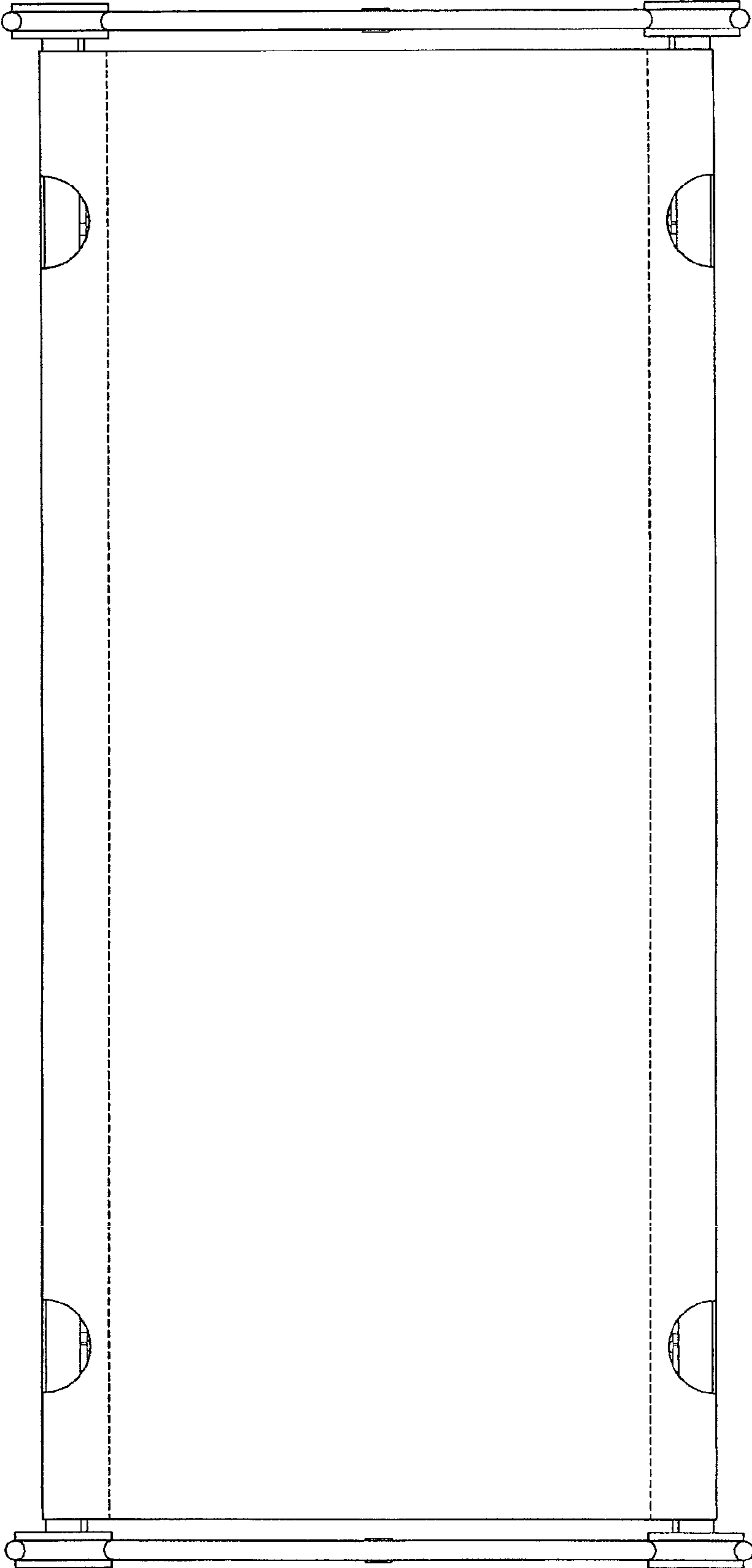


FIG.2

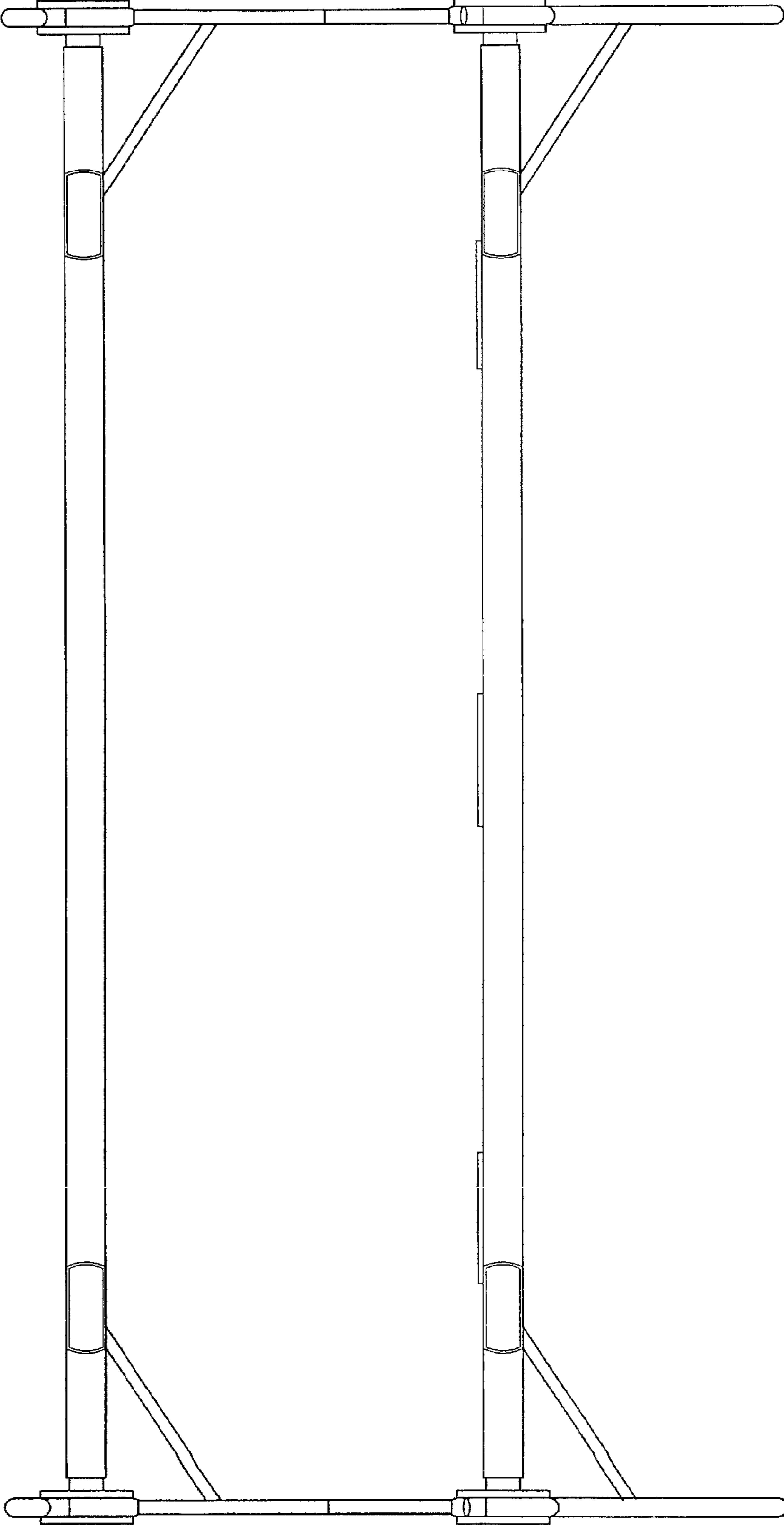


FIG. 3

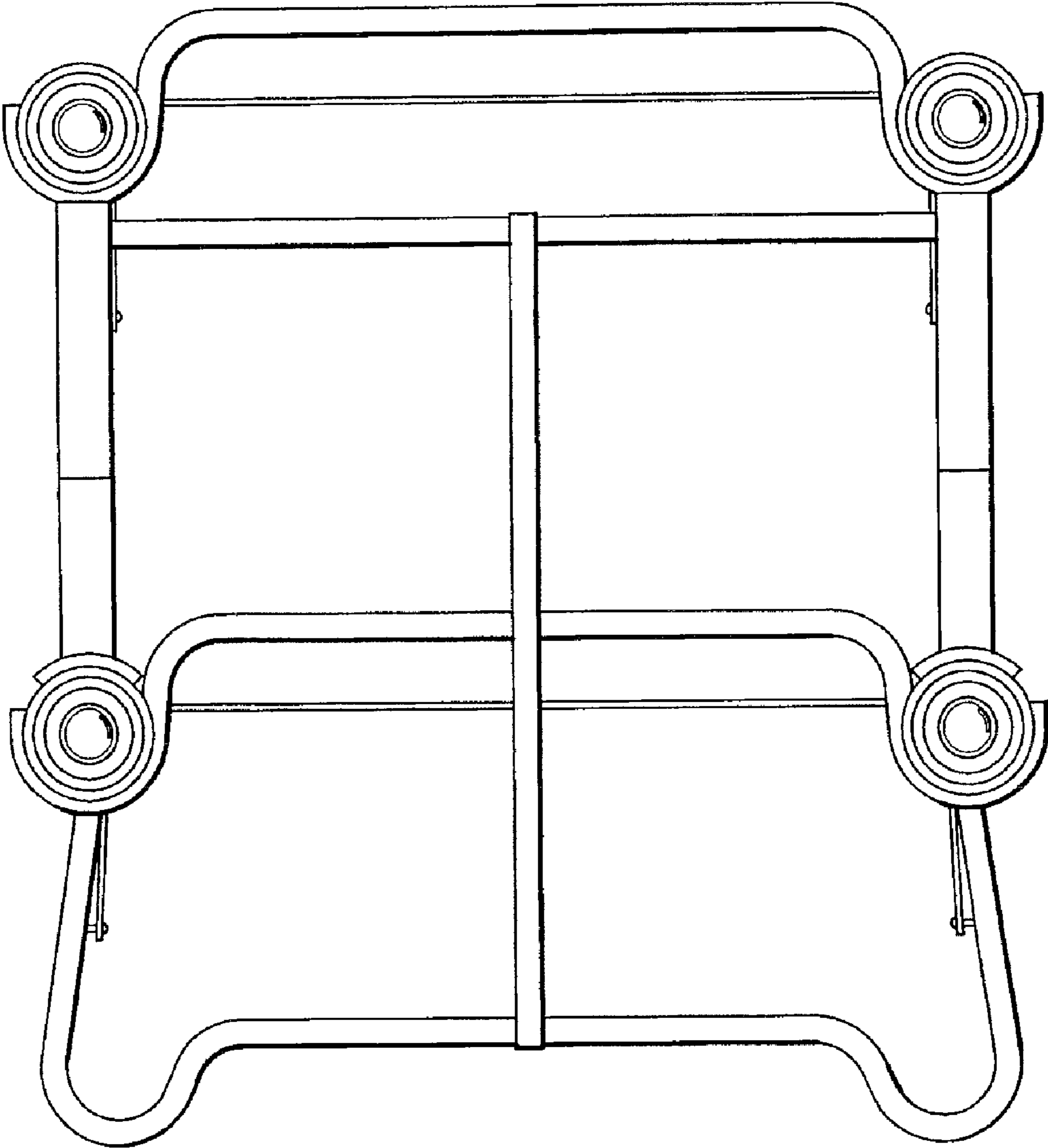


FIG.4

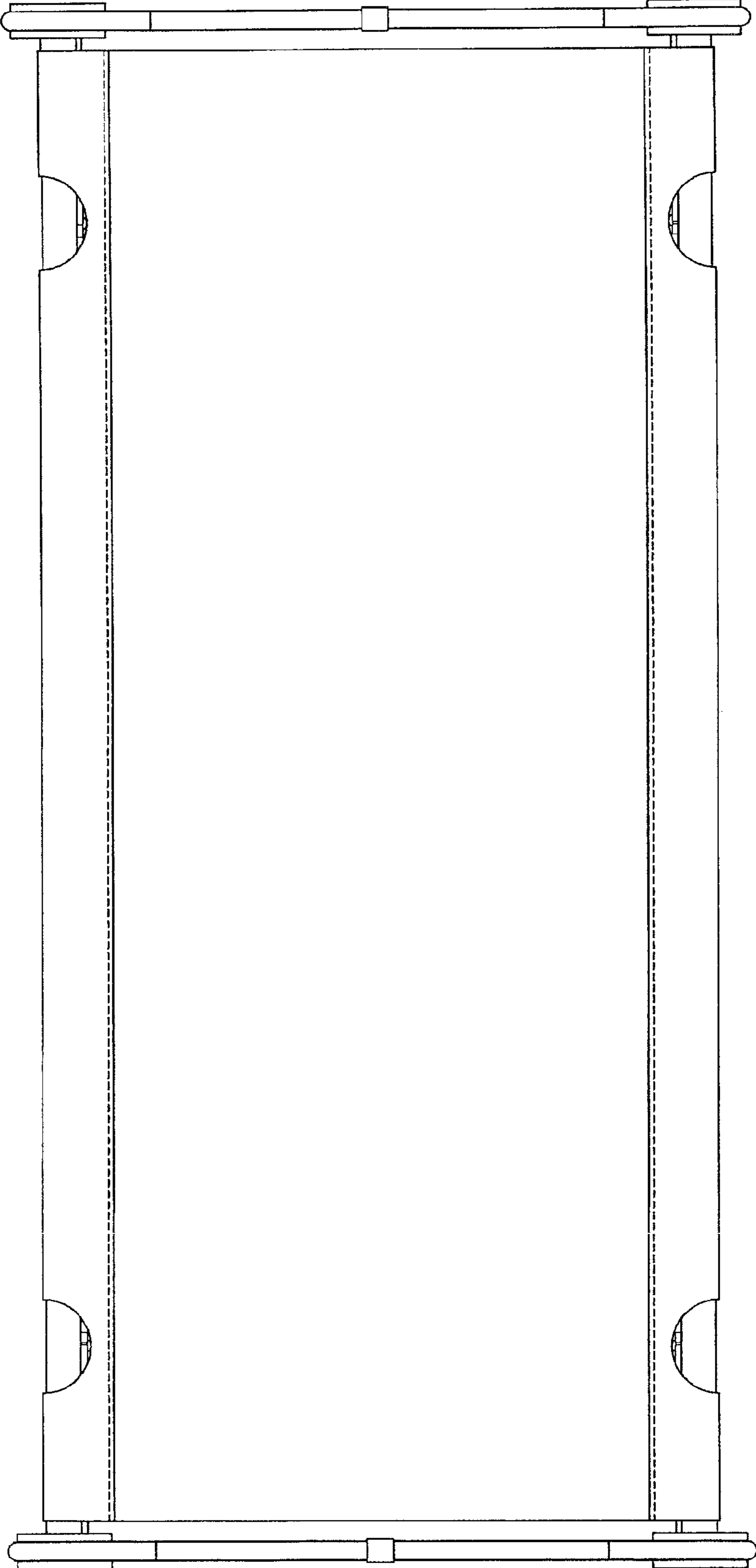


FIG.5