



US00D600467S

(12) **United States Design Patent**
Natuzzi

(10) **Patent No.:** **US D600,467 S**
(45) **Date of Patent:** **** Sep. 22, 2009**

(54) **SOFA**
(75) Inventor: **Pasquale Natuzzi**, Bari (IT)
(73) Assignee: **Natuzzi S.p.A.** (IT)
(**) Term: **14 Years**
(21) Appl. No.: **29/335,094**
(22) Filed: **Apr. 8, 2009**

(30) **Foreign Application Priority Data**
Oct. 8, 2008 (EM) 001017412-0006

(51) **LOC (9) Cl.** **06-01**
(52) **U.S. Cl.** **D6/381**
(58) **Field of Classification Search** D6/334,
D6/349, 355, 364, 370, 374, 378, 381, 382,
D6/383, 491, 495, 500-503; 297/68, 232,
297/233, 353, 445.1, 448.1, 448.2, DIG. 7;
5/12.1, 12.2

See application file for complete search history.

(56) **References Cited**
U.S. PATENT DOCUMENTS

D270,403 S * 9/1983 Matthias D6/378
D327,986 S * 7/1992 Gera D6/335

D494,376 S * 8/2004 Natuzzi D6/381
D499,264 S * 12/2004 Ricci D6/381
6,826,789 B1 * 12/2004 Choi 5/12.1
D511,422 S * 11/2005 Nastri D6/381
D519,296 S * 4/2006 Ghetti D6/381
D542,555 S * 5/2007 Ghetti D6/381
D560,920 S * 2/2008 Bedei D6/381
D567,527 S * 4/2008 Galardo D6/381
D580,677 S * 11/2008 Kleene et al. D6/381

* cited by examiner

Primary Examiner—Sandra Snapp
(74) *Attorney, Agent, or Firm*—St. Onge Steward Johnston & Reens LLC

(57) **CLAIM**

The ornamental design for a sofa, as shown and described.

DESCRIPTION

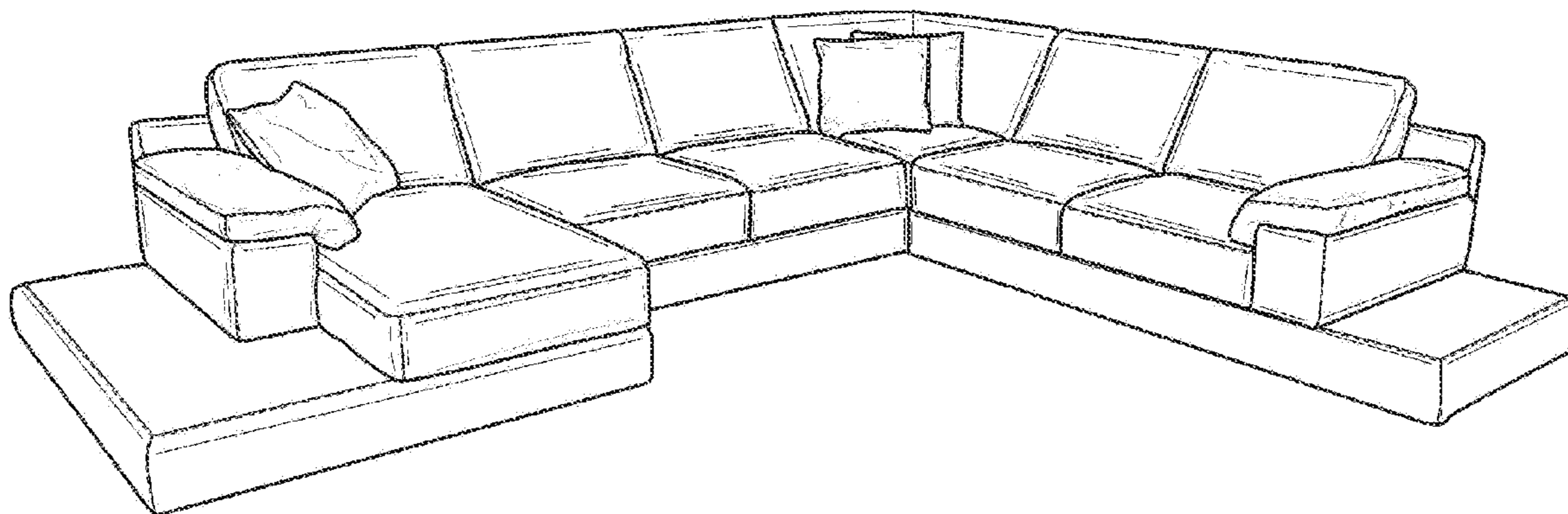
FIG. 1 is a front perspective view of a sofa in accordance with the new design;

FIG. 2 is a back perspective view thereof; and,

FIG. 3 is a top perspective view thereof.

Broken lines shown on the sofa are understood to represent stitching.

1 Claim, 2 Drawing Sheets



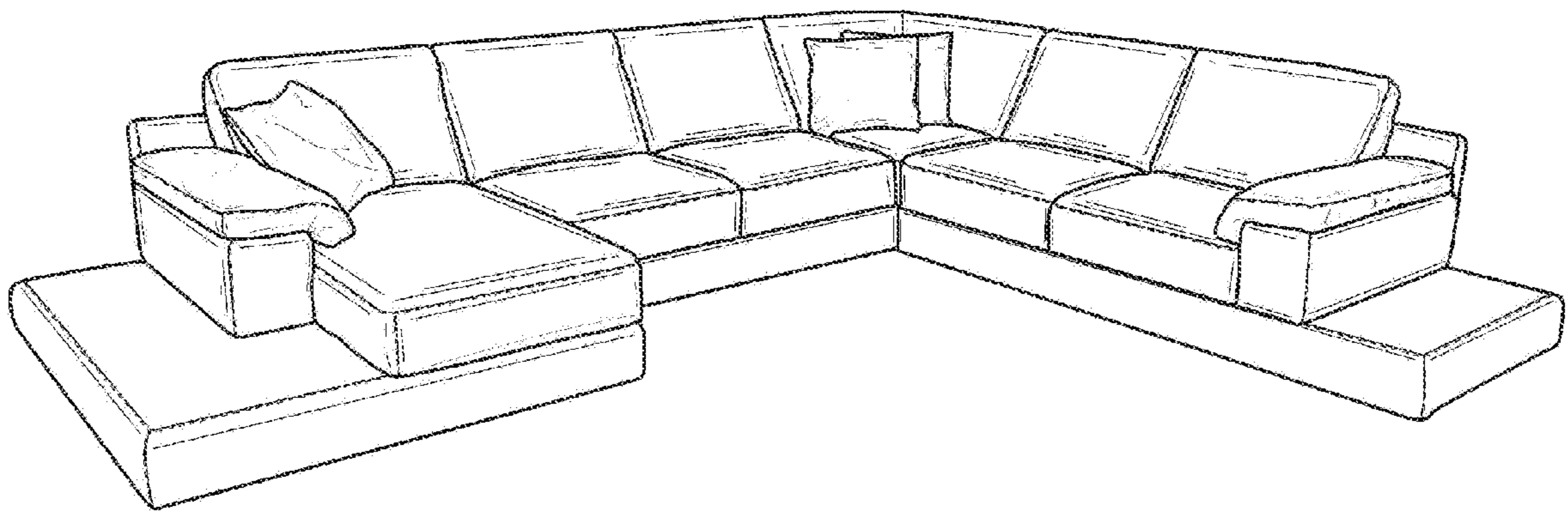


FIG. 1

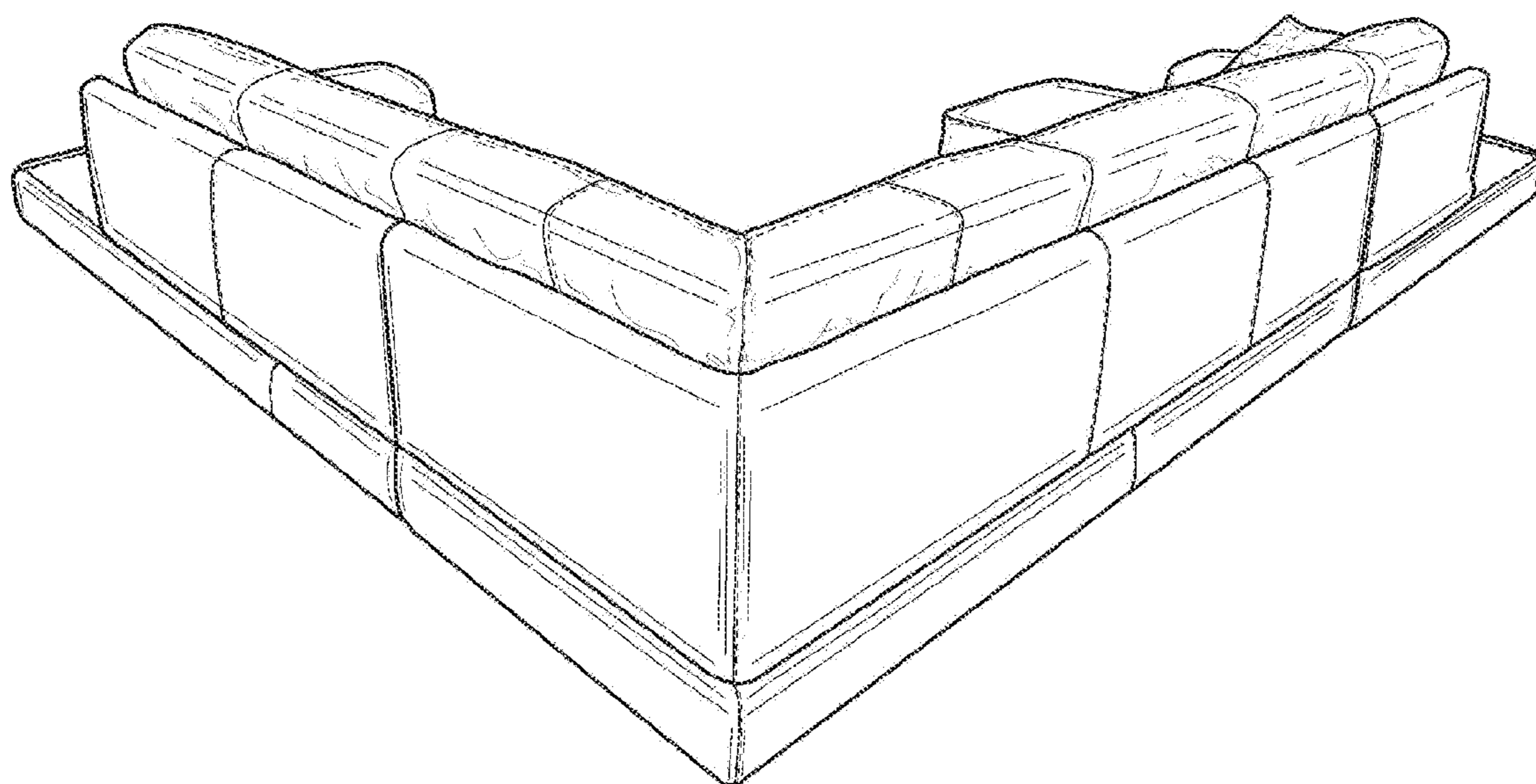


FIG. 2

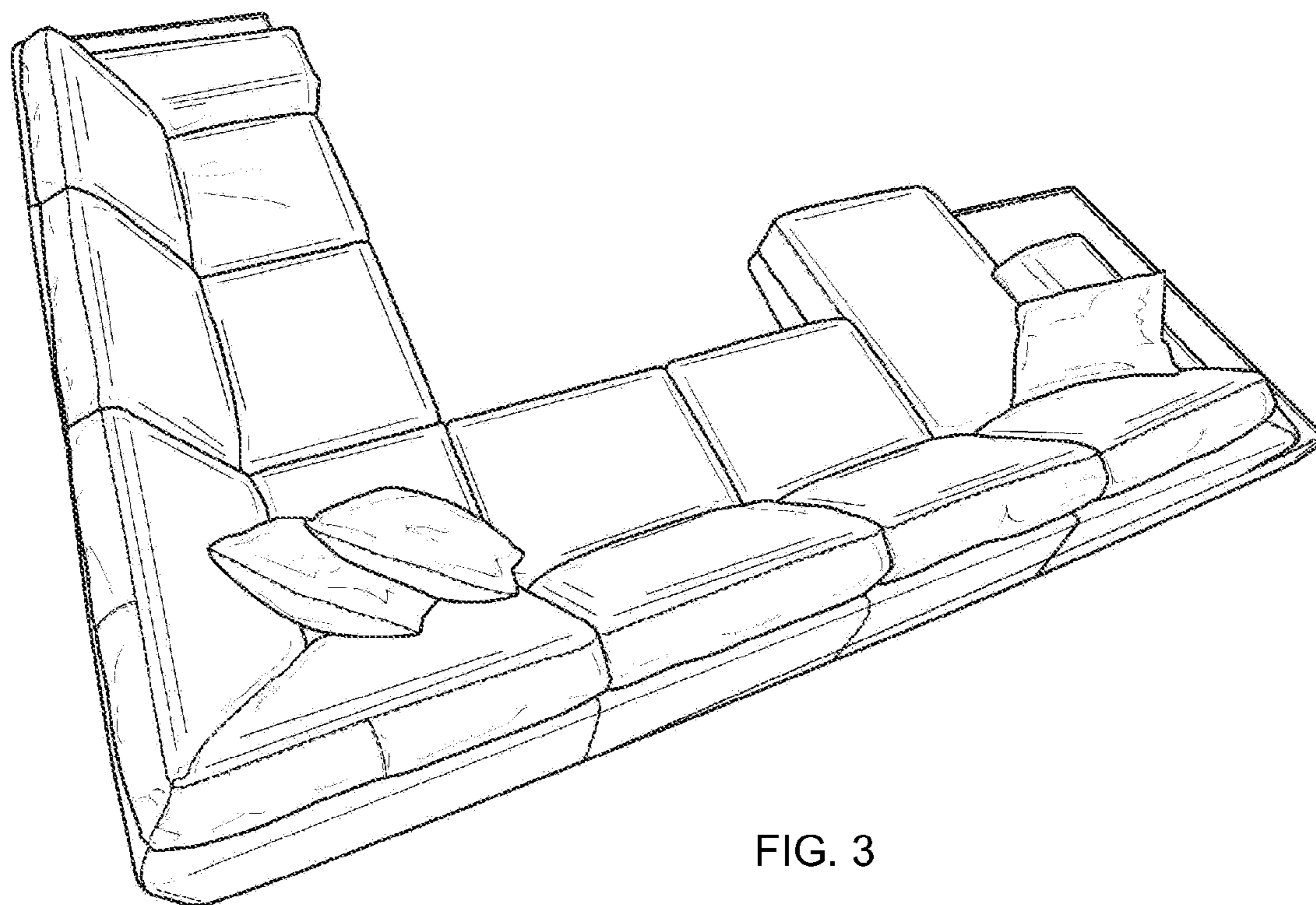


FIG. 3