



US00D600466S

(12) **United States Design Patent**
Cramer et al.

(10) **Patent No.:** **US D600,466 S**

(45) **Date of Patent:** **** Sep. 22, 2009**

(54) **SEATING FURNITURE**

(75) Inventors: **E. Daniel Cramer**, Golden Valley, MN (US); **Paul A. James**, St. Louis Park, MN (US)

(73) Assignee: **Krueger International, Inc.**, Green Bay, WI (US)

(**) Term: **14 Years**

(21) Appl. No.: **29/319,006**

(22) Filed: **Jun. 2, 2008**

(51) **LOC (9) Cl.** **06-01**

(52) **U.S. Cl.** **D6/381**

(58) **Field of Classification Search** D6/334,
D6/349, 355, 364, 370, 374, 378, 381, 382,
D6/383, 491, 495, 500-503; 297/68, 232,
297/233, 353, 445.1, 448.1, 448.2, DIG. 7;
5/12.1, 12.2

See application file for complete search history.

(56) **References Cited**

U.S. PATENT DOCUMENTS

D303,327 S *	9/1989	Masarotti	D6/334
D327,583 S *	7/1992	Dettinger	D6/334
D335,779 S *	5/1993	Newhouse	D6/381
D337,450 S *	7/1993	Dettinger	D6/381
D352,615 S *	11/1994	Hutton	D6/334
D361,442 S *	8/1995	Lewis	D6/381
D386,909 S *	12/1997	Mourgue	D6/334
D393,956 S *	5/1998	Kane	D6/374
D404,587 S *	1/1999	Relling	D6/381
D416,717 S *	11/1999	Chalmers et al.	D6/500
D417,103 S *	11/1999	Chalmers et al.	D6/500
D417,104 S *	11/1999	Chalmers et al.	D6/500
D417,105 S *	11/1999	Chalmers et al.	D6/500
D417,569 S *	12/1999	Chalmers et al.	D6/500
D431,122 S *	9/2000	Koncar	D6/381
D473,723 S	4/2003	Pesso		
D488,933 S *	4/2004	Neggens	D6/334
D490,630 S	6/2004	Pesso		
D491,756 S	6/2004	Nemeth		

D537,263 S *	2/2007	Berry et al.	D6/381
D539,487 S *	3/2007	Van Ysseldyk	D30/118
D560,919 S *	2/2008	Simons, Jr.	D6/381
D565,309 S	4/2008	Cramer et al.		

* cited by examiner

Primary Examiner—Sandra Snapp

(74) *Attorney, Agent, or Firm*—Andrus, Scales, Starke & Sawall, LLP

(57) **CLAIM**

The ornamental design of seating furniture, as shown and described.

DESCRIPTION

FIG. 1 is an isometric view of an article of seating furniture incorporating our new design;

FIG. 2 is a front elevation view thereof;

FIG. 3 is a top plan view thereof;

FIG. 4 is a right side elevation view thereof, the left side elevation view being a mirror image;

FIG. 5 is a rear elevation view thereof;

FIG. 6 is an isometric view of another embodiment of an article of seating furniture incorporating our new design;

FIG. 7 is a front elevation view thereof;

FIG. 8 is a top plan view thereof;

FIG. 9 is a right side elevation view thereof, the left side elevation view being a mirror image;

FIG. 10 is a rear elevation view thereof;

FIG. 11 is an isometric view of an end portion of an article of seating furniture incorporating our new design, wherein the portions in phantom illustrate environment and form no part of the claimed design;

FIG. 12 is a front elevation view thereof;

FIG. 13 is a top plan view thereof;

FIG. 14 is a side elevation view thereof;

FIG. 15 is a rear elevation view thereof;

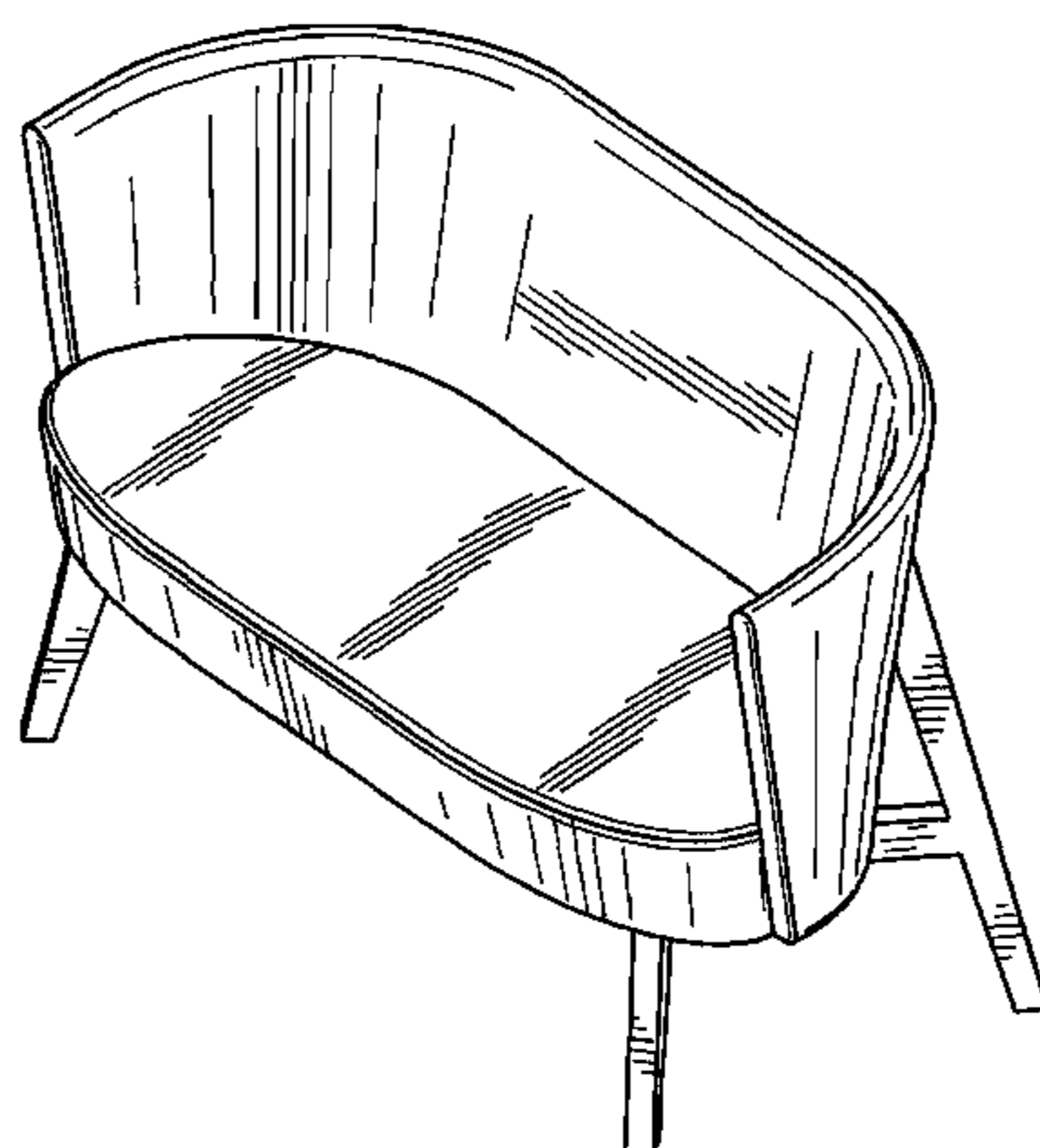


FIG. 16 is an isometric view of another embodiment of an end portion of an article of seating furniture incorporating our new design, wherein the portions in phantom illustrate environment and form no part of the claimed design;

FIG. 17 is a front elevation view thereof;

FIG. 18 is a top plan view thereof;

FIG. 19 is a side elevation view thereof;

FIG. 20 is a rear elevation view thereof;

FIG. 21 is an isometric view of another embodiment of an article of seating furniture incorporating our new design;

FIG. 22 is a front elevation view thereof;

FIG. 23 is a top plan view thereof;

FIG. 24 is a right side elevation view thereof, the left side elevation view being a mirror image;

FIG. 25 is a rear elevation view thereof;

FIG. 26 is an isometric view of another embodiment of an article of seating furniture incorporating our new design;

FIG. 27 is a front elevation view thereof;

FIG. 28 is a top plan view thereof;

FIG. 29 is a right side elevation view thereof, the left side elevation view being a mirror image;

FIG. 30 is a rear elevation view thereof;

FIG. 31 is an isometric view of another embodiment of an end portion of an article of seating furniture incorporating our new design, wherein the portions in phantom illustrate environment and form no part of the claimed design;

FIG. 32 is a front elevation view thereof;

FIG. 33 is a top plan view thereof;

FIG. 34 is a side elevation view thereof;

FIG. 35 is a rear elevation view thereof;

FIG. 36 is an isometric view of another embodiment of an end portion of an article of seating furniture incorporating our new design, wherein the portions in phantom illustrate environment and form no part of the claimed design;

FIG. 37 is a front elevation view thereof;

FIG. 38 is a top plan view thereof;

FIG. 39 is a side elevation view thereof; and,

FIG. 40 is a rear elevation view thereof.

1 Claim, 24 Drawing Sheets

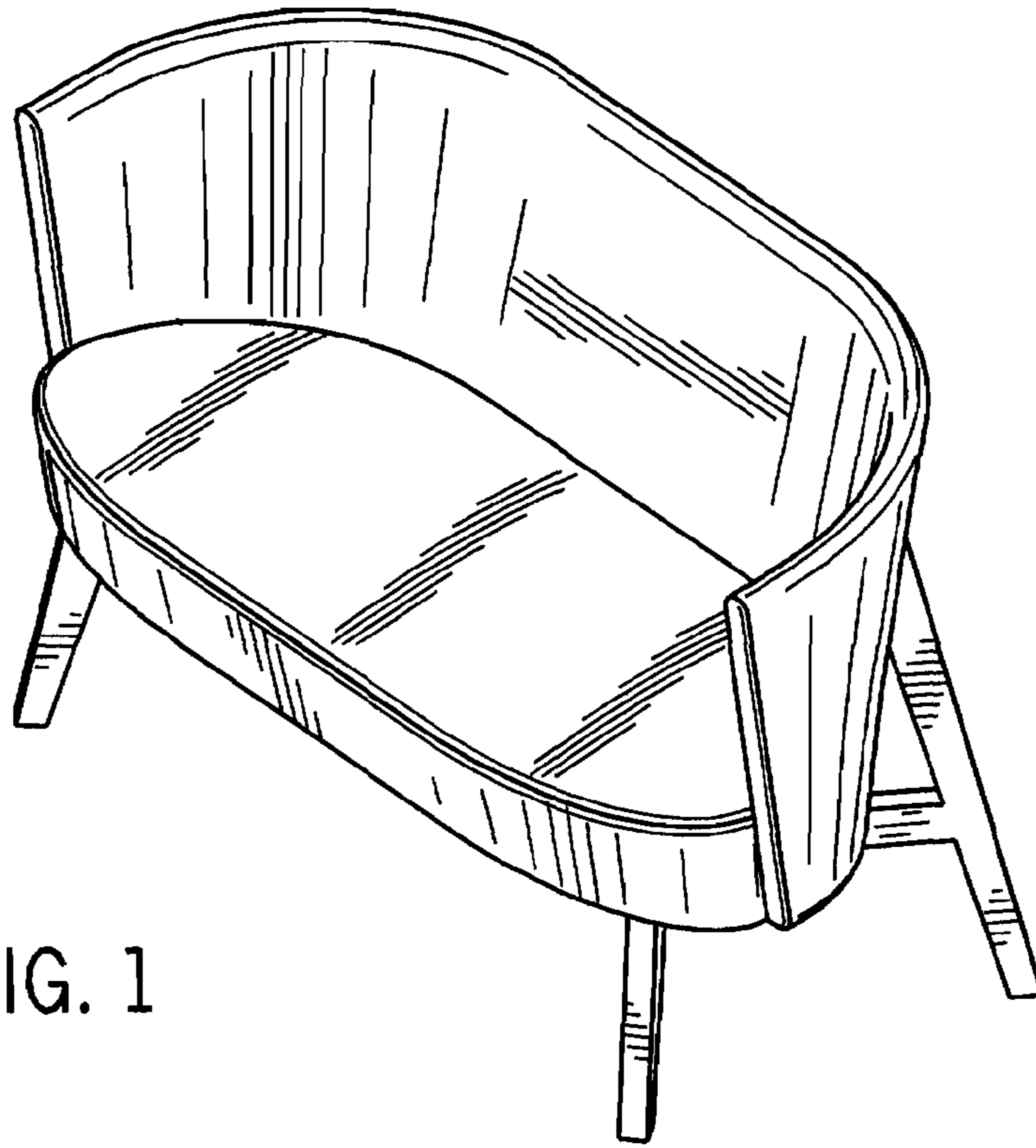


FIG. 1

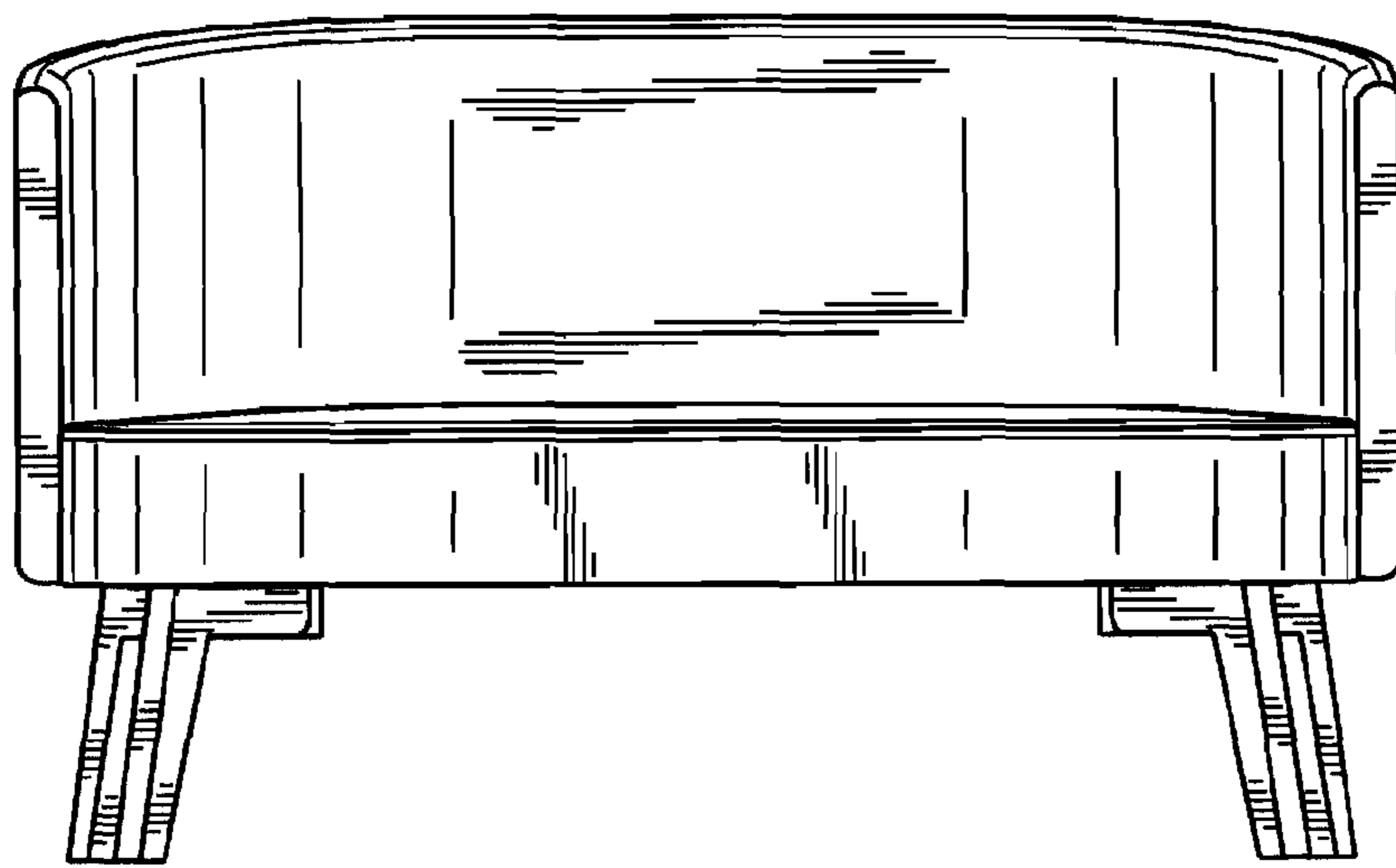


FIG. 2

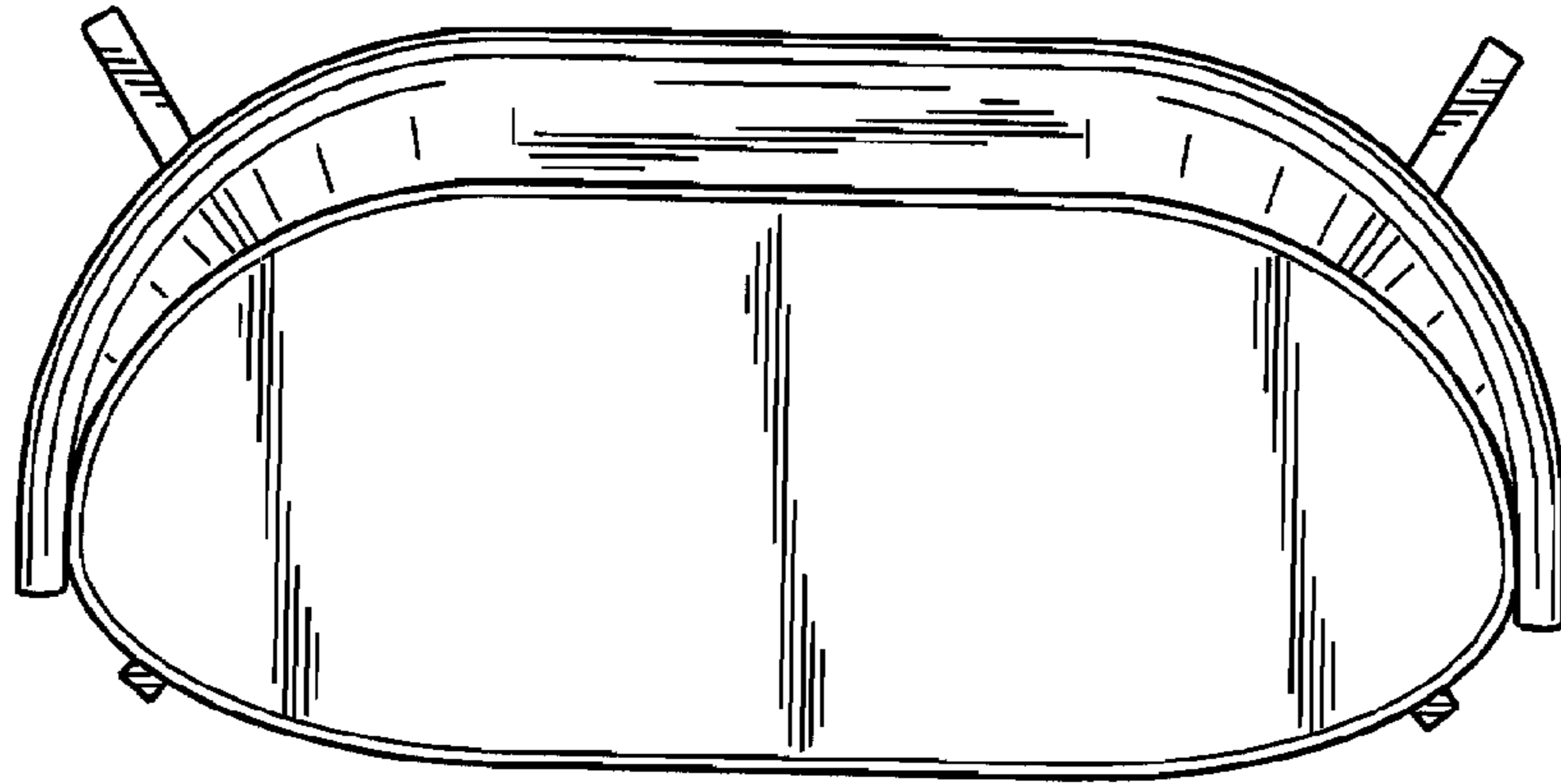


FIG. 3

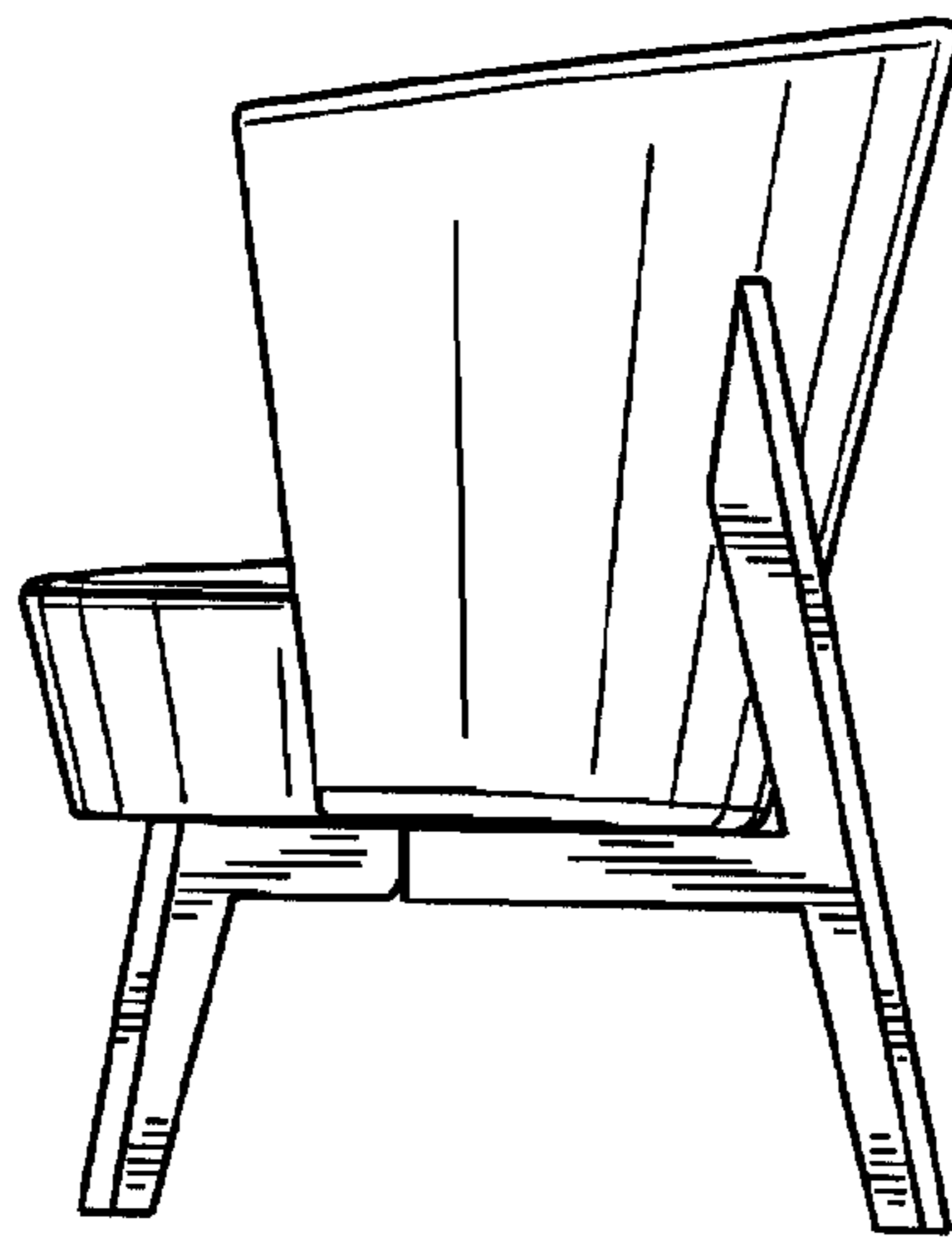


FIG. 4

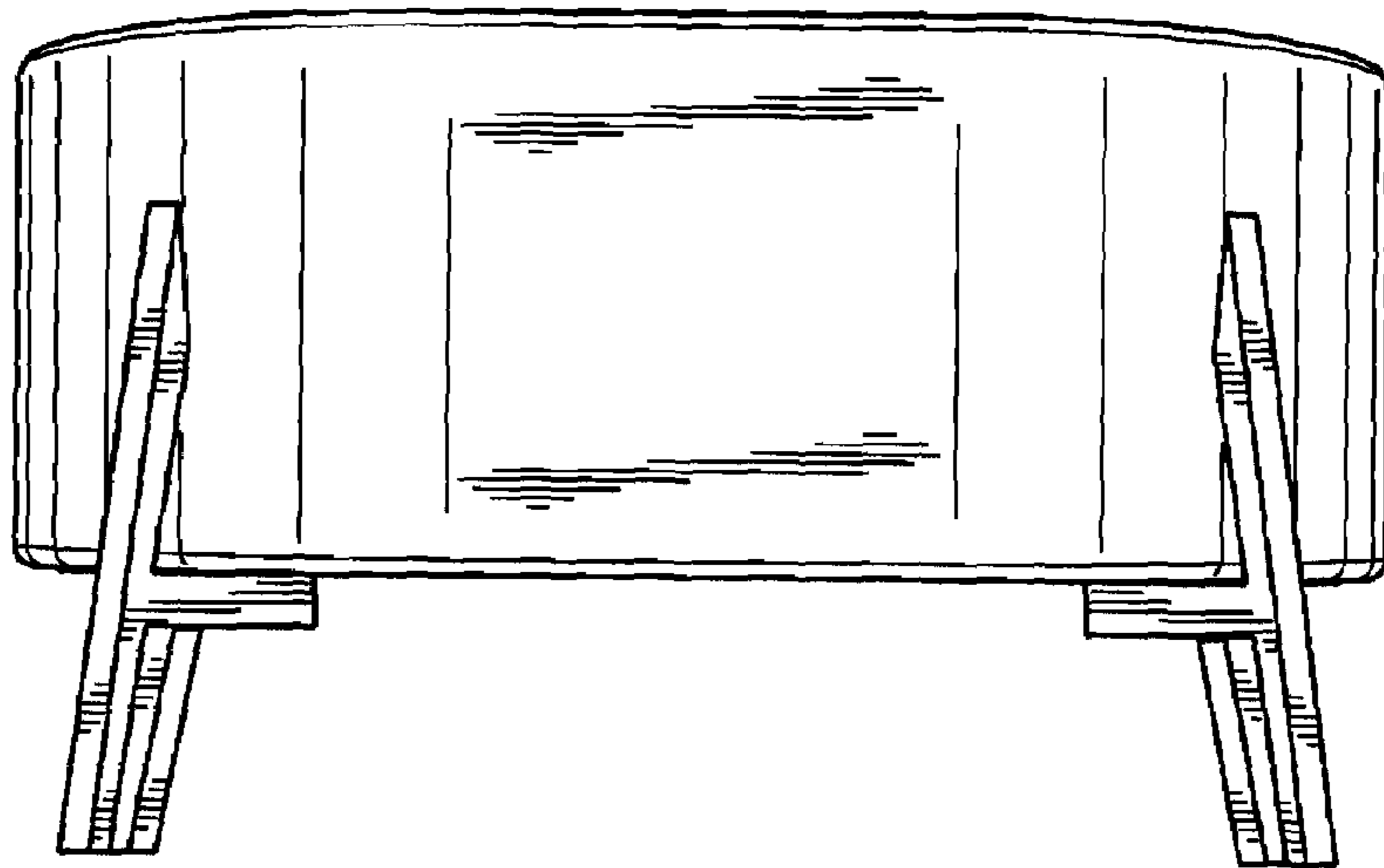


FIG. 5

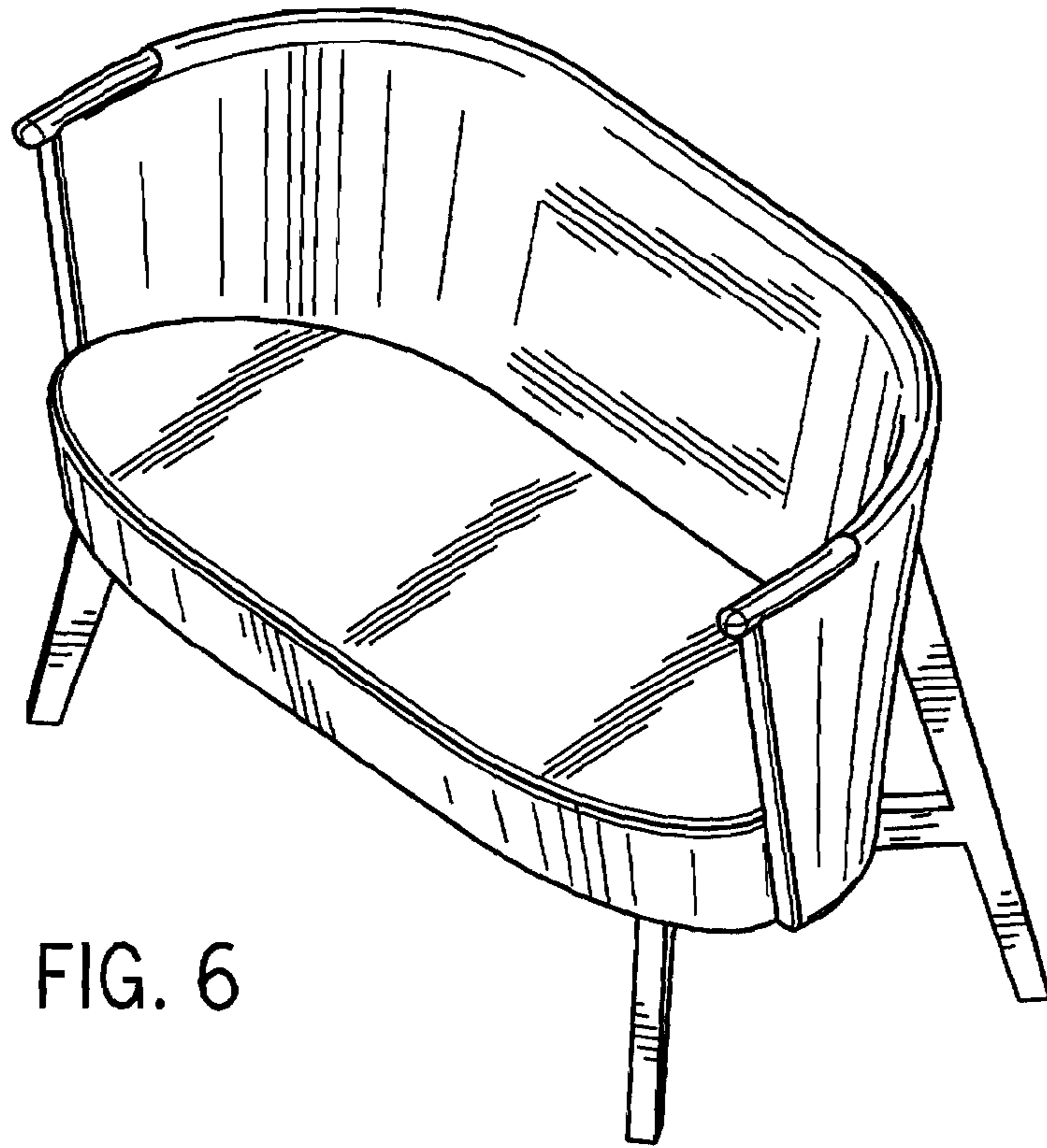


FIG. 6

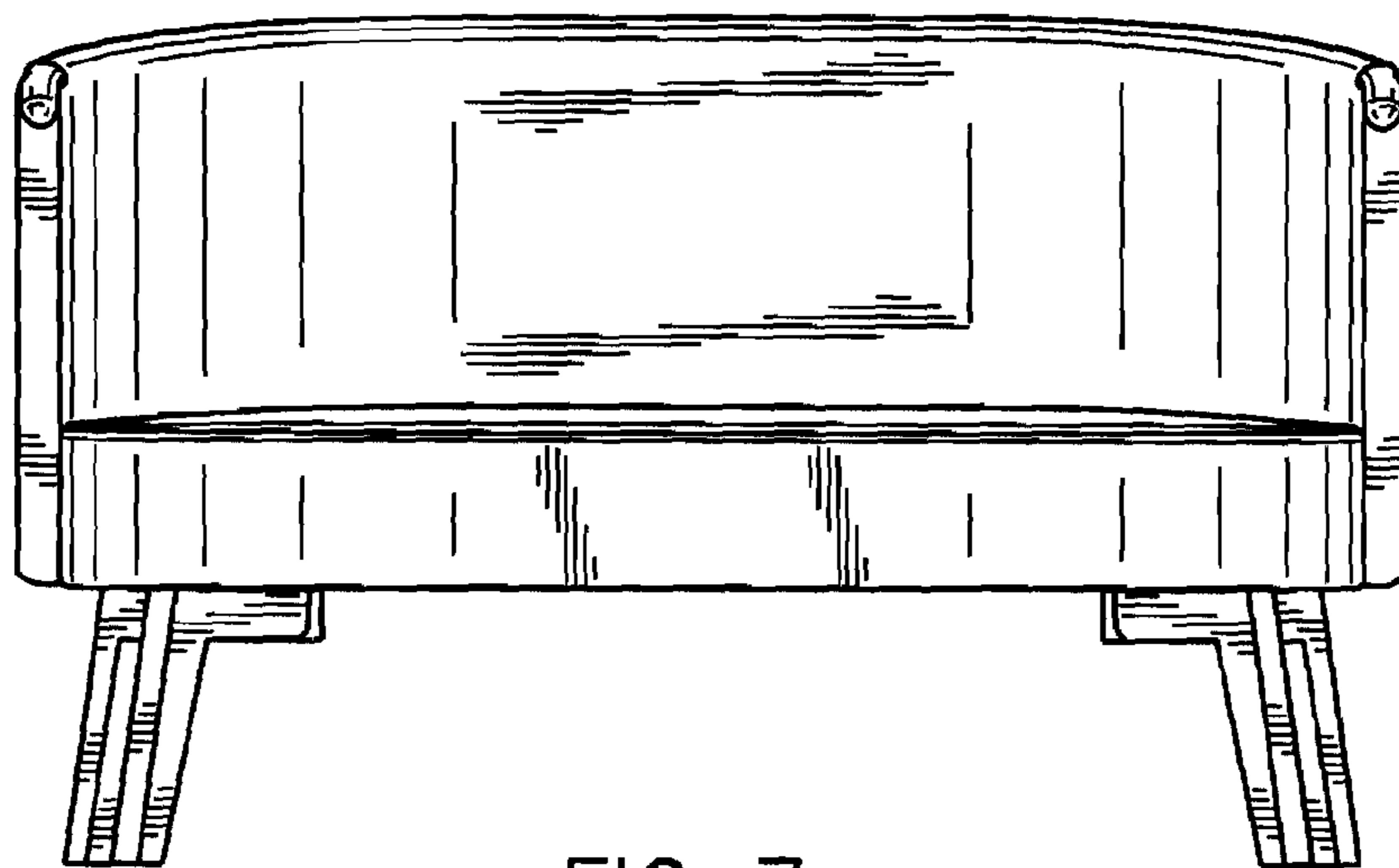


FIG. 7

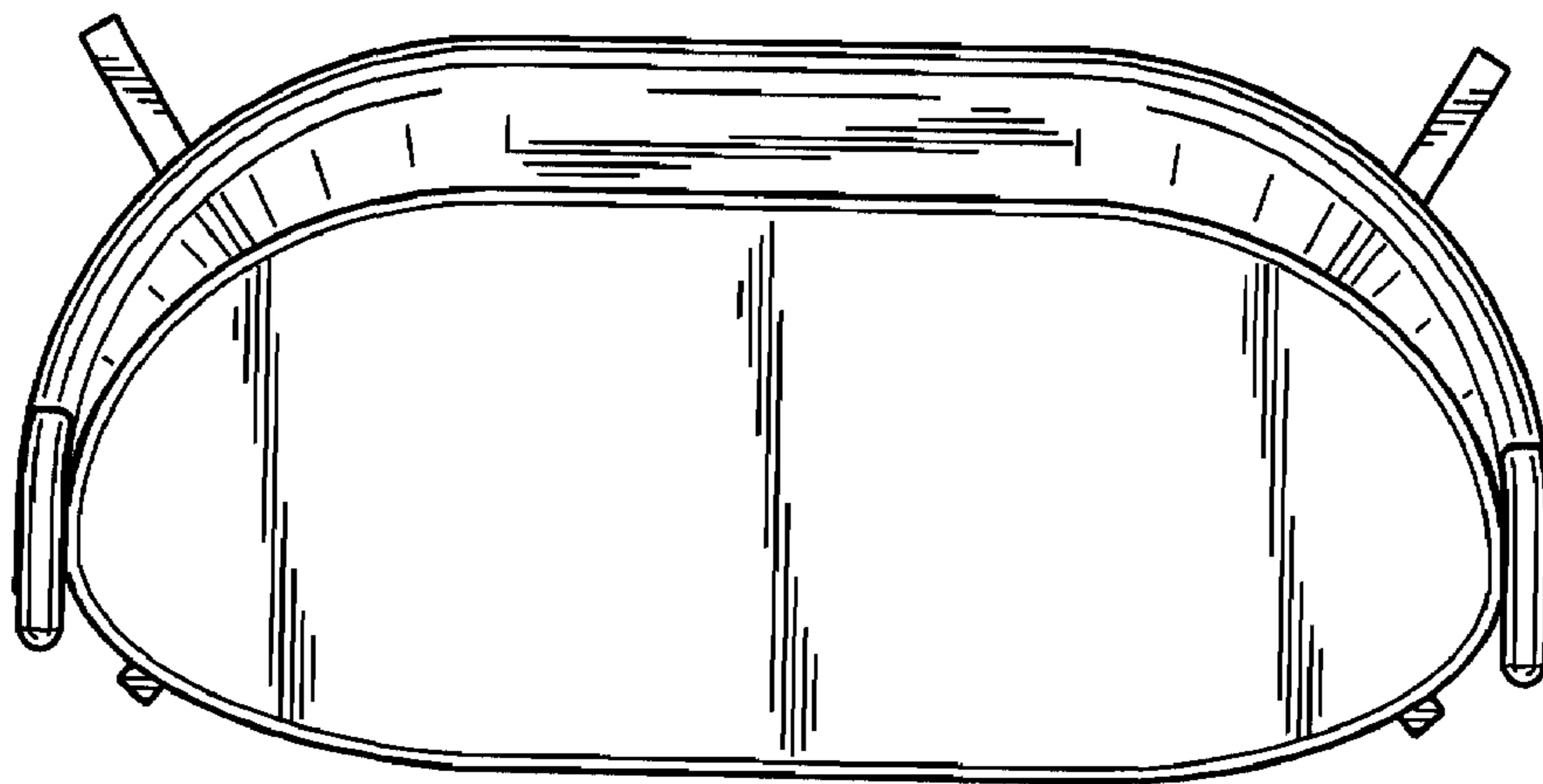


FIG. 8

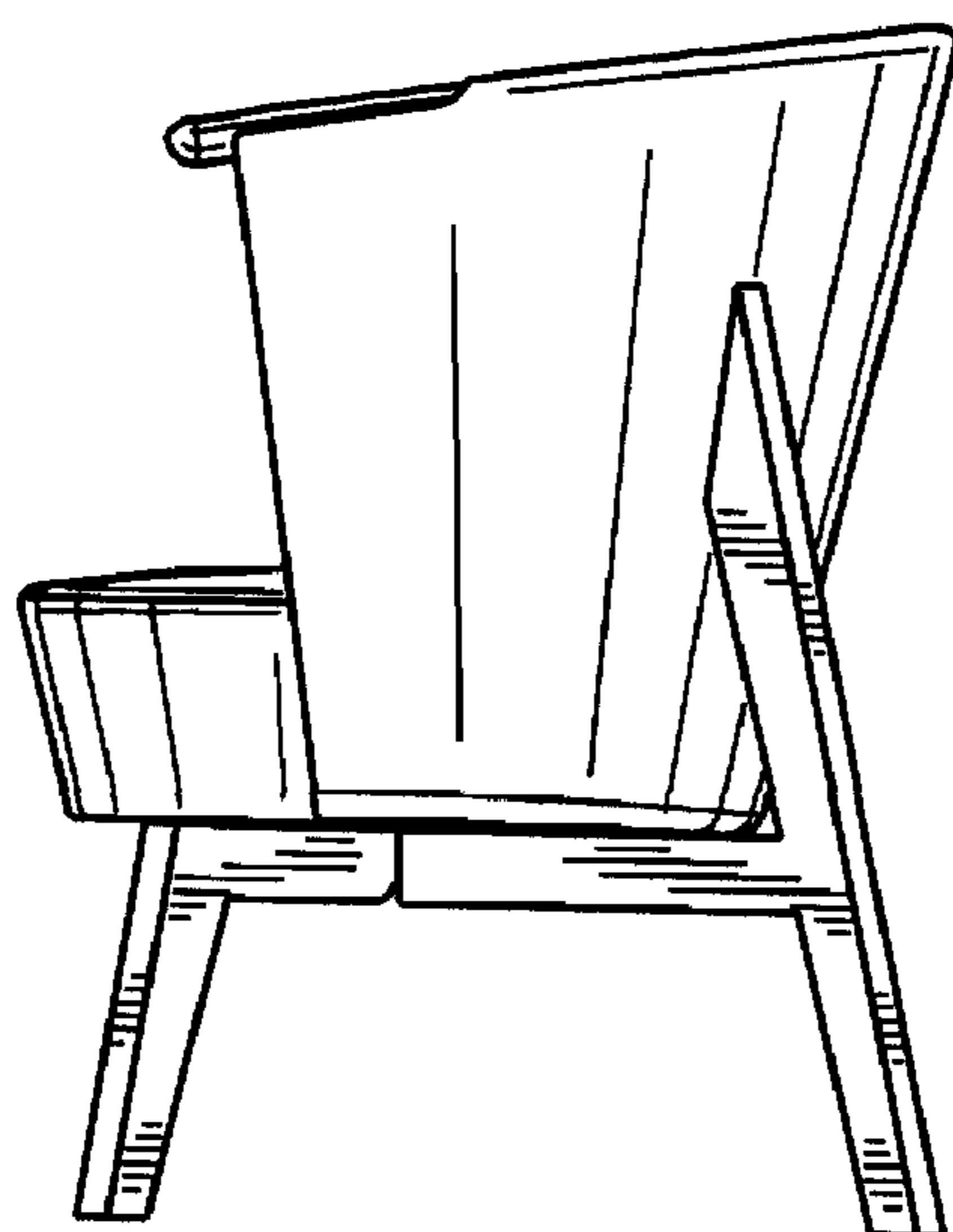


FIG. 9

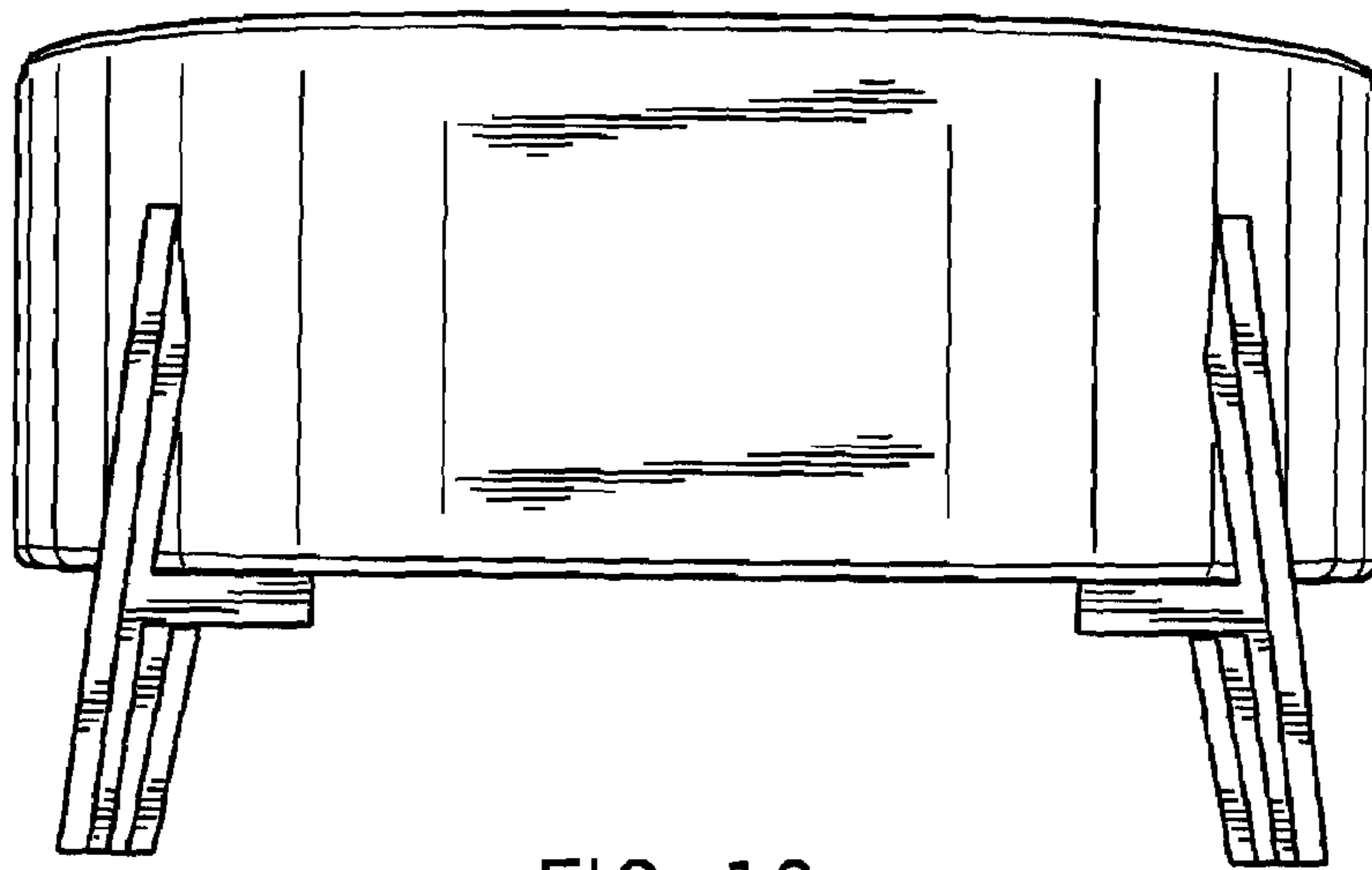


FIG. 10

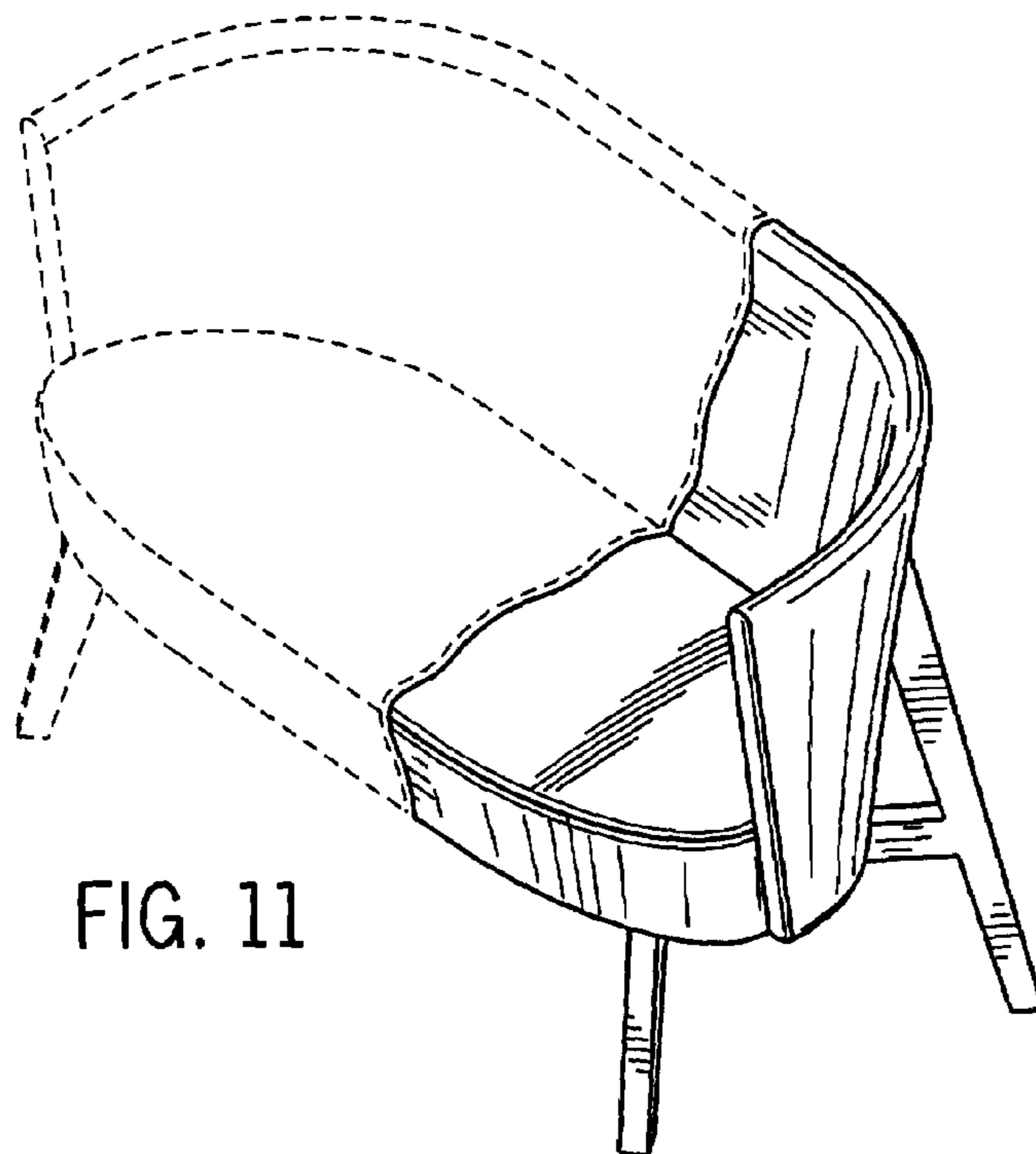


FIG. 11

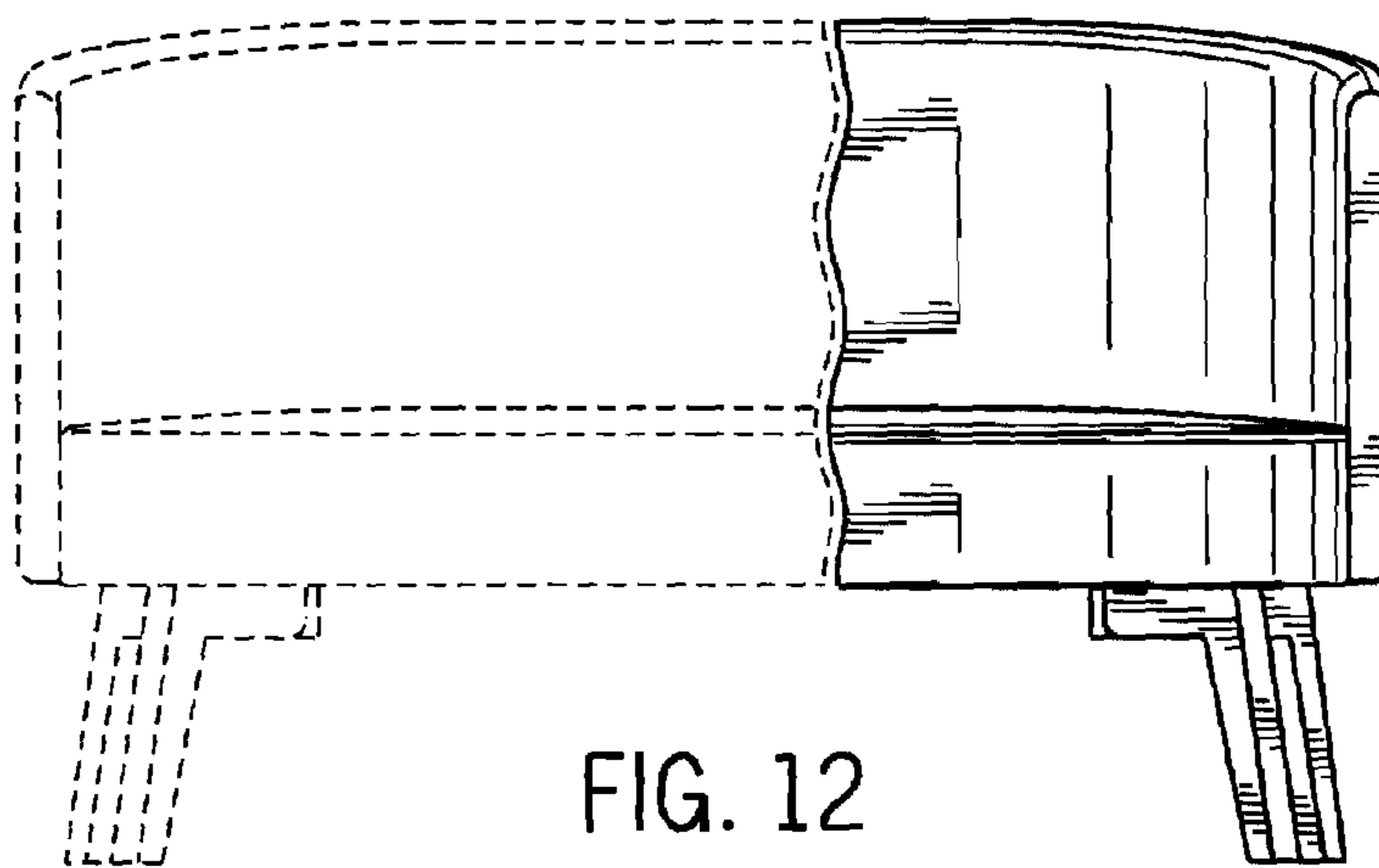


FIG. 12

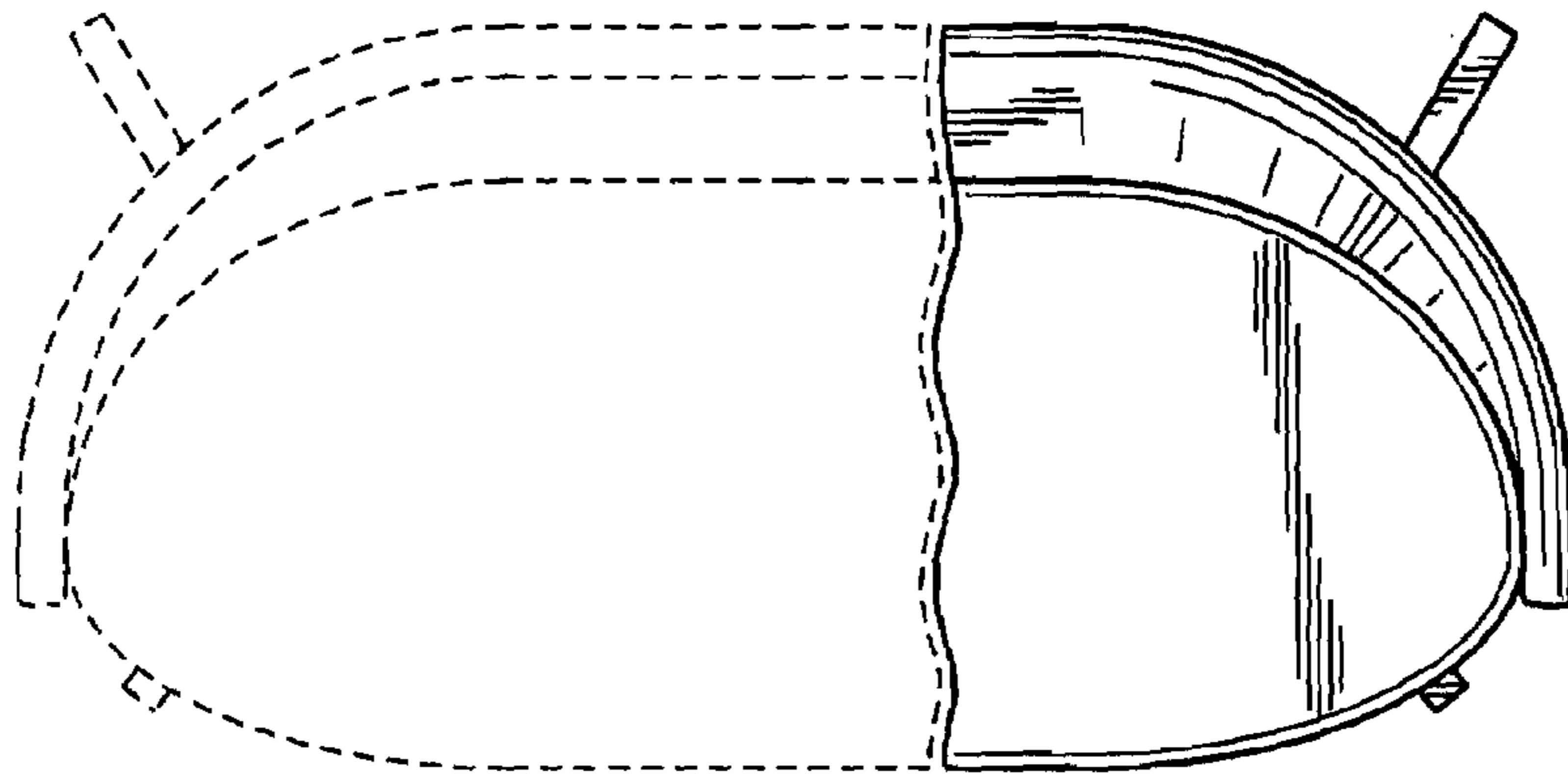


FIG. 13

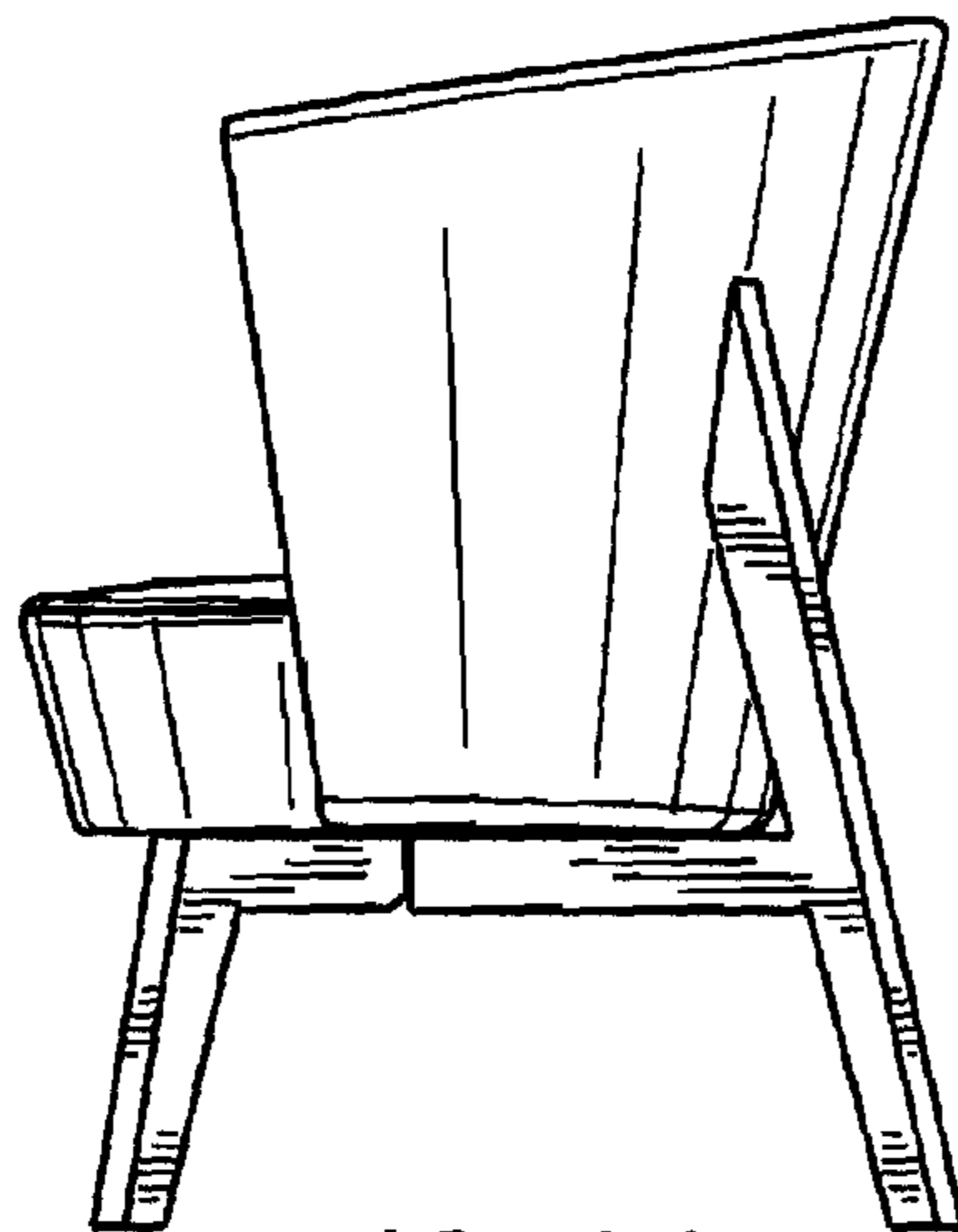


FIG. 14

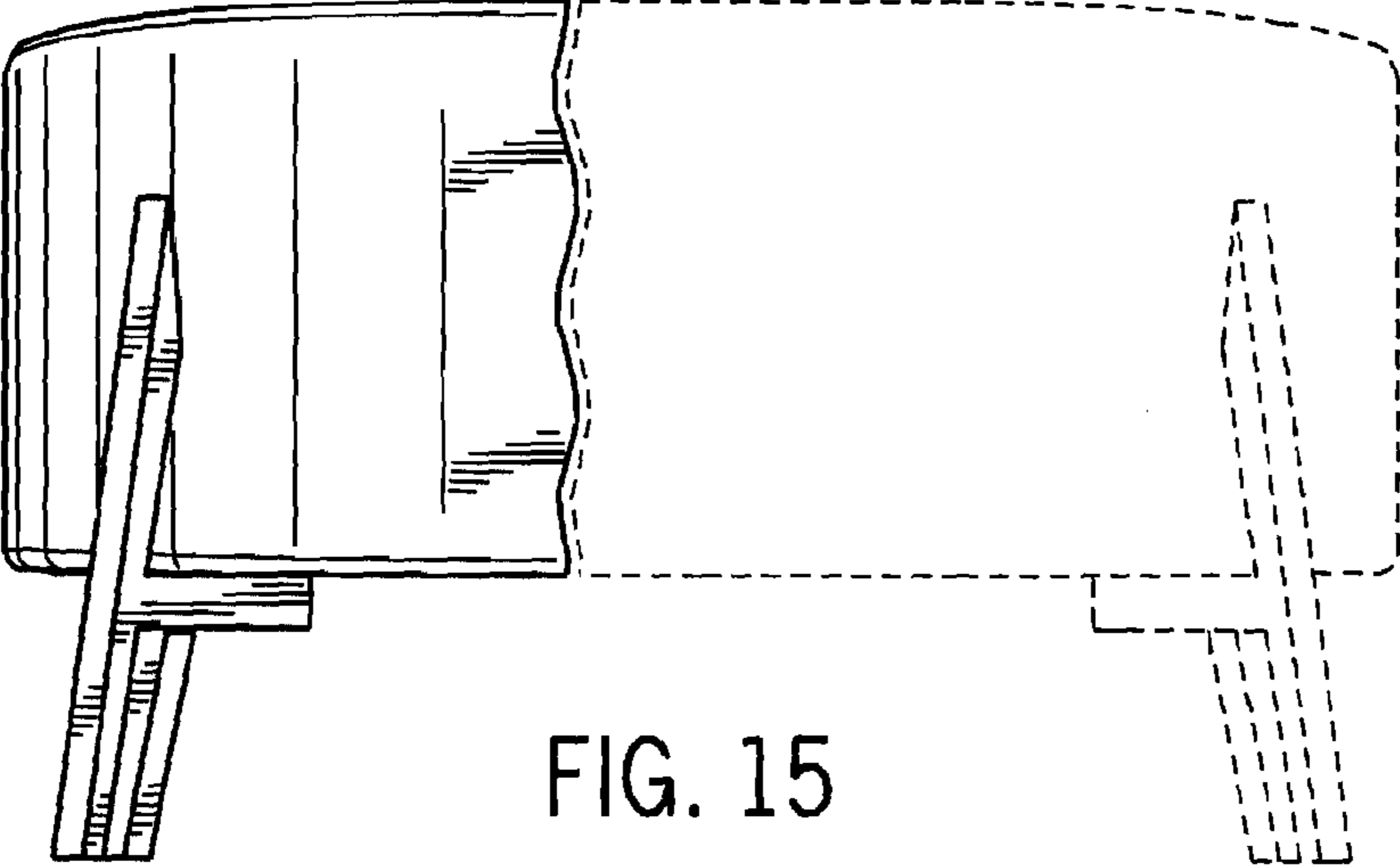


FIG. 15

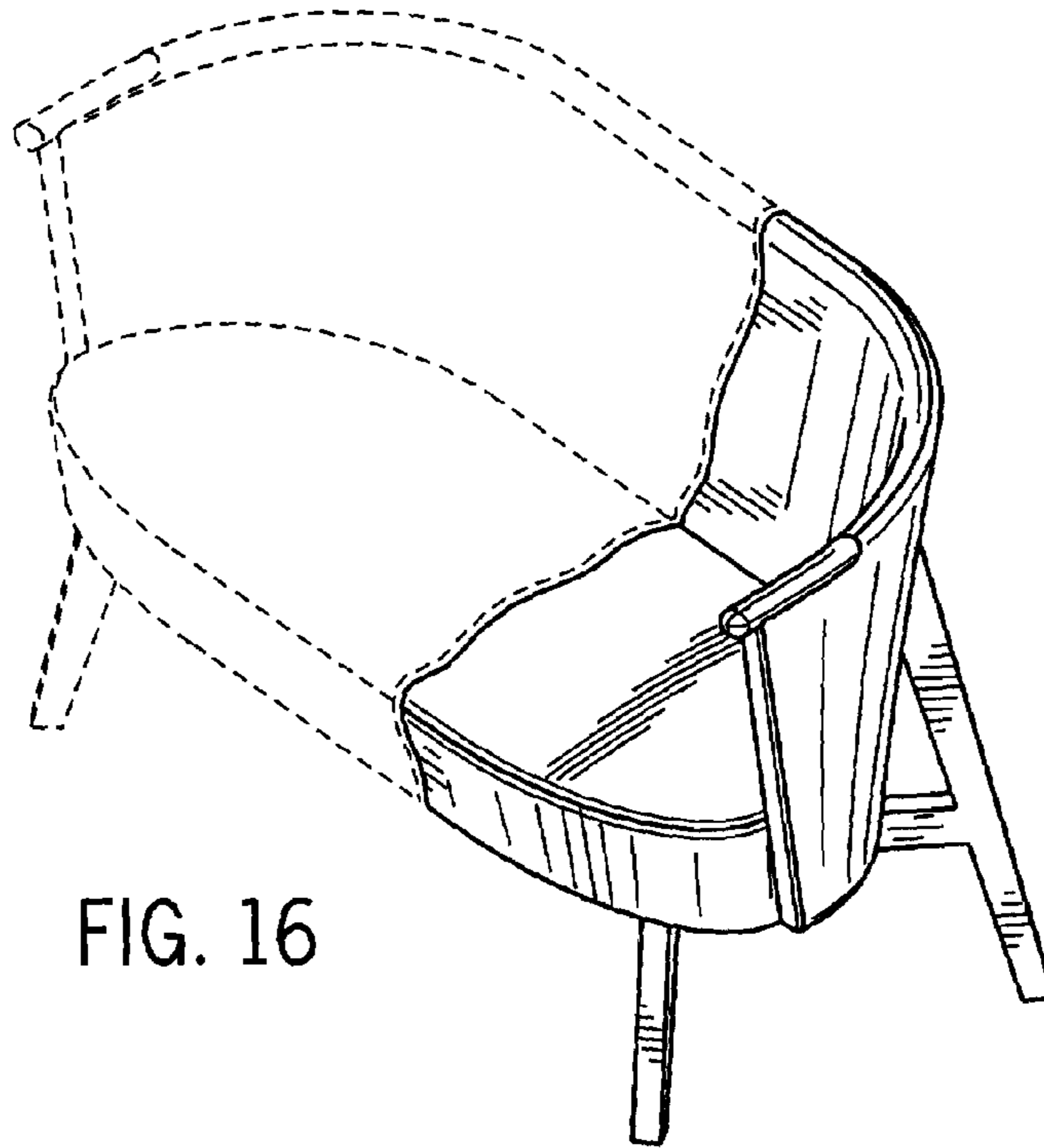


FIG. 16

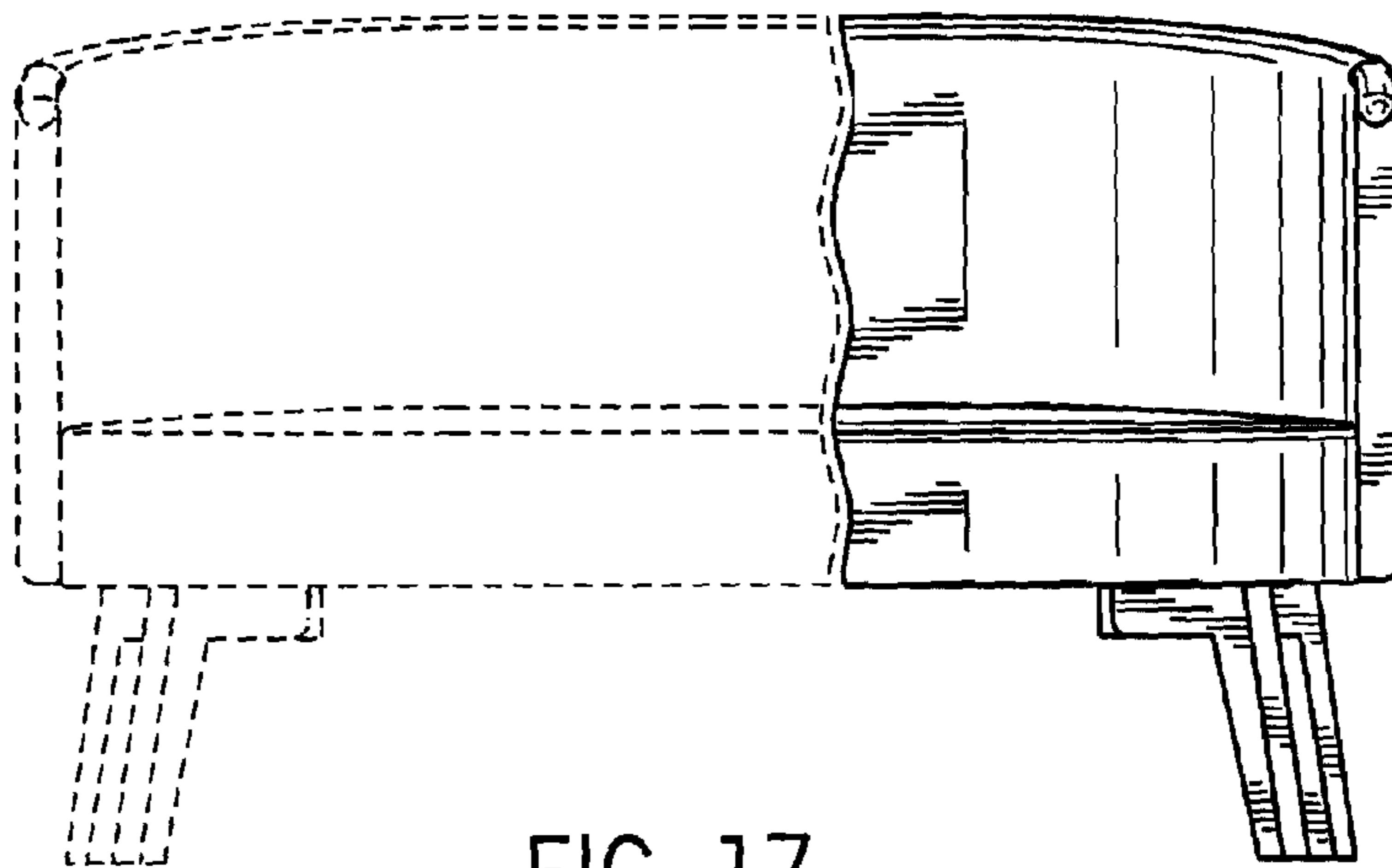


FIG. 17

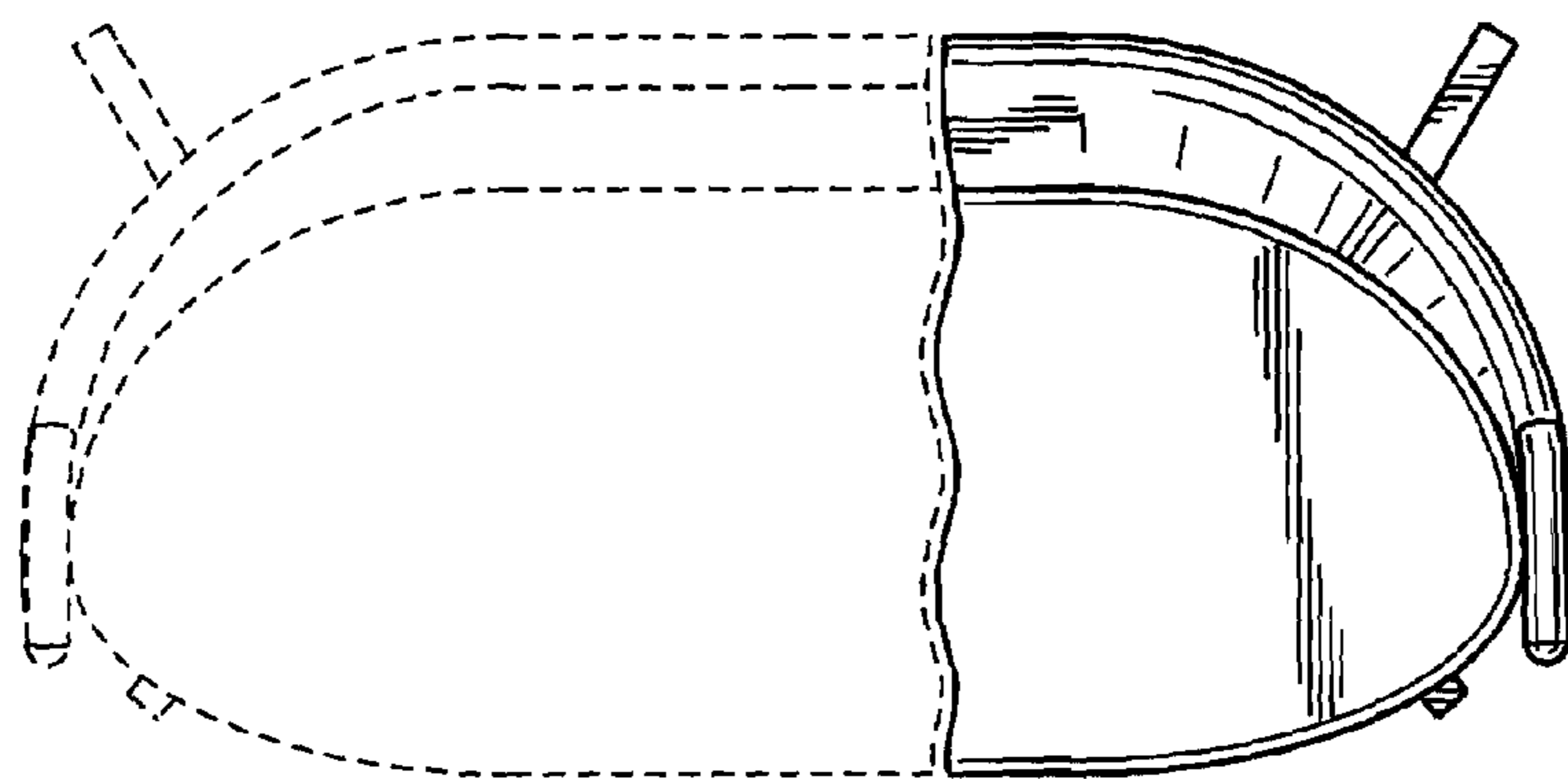


FIG. 18

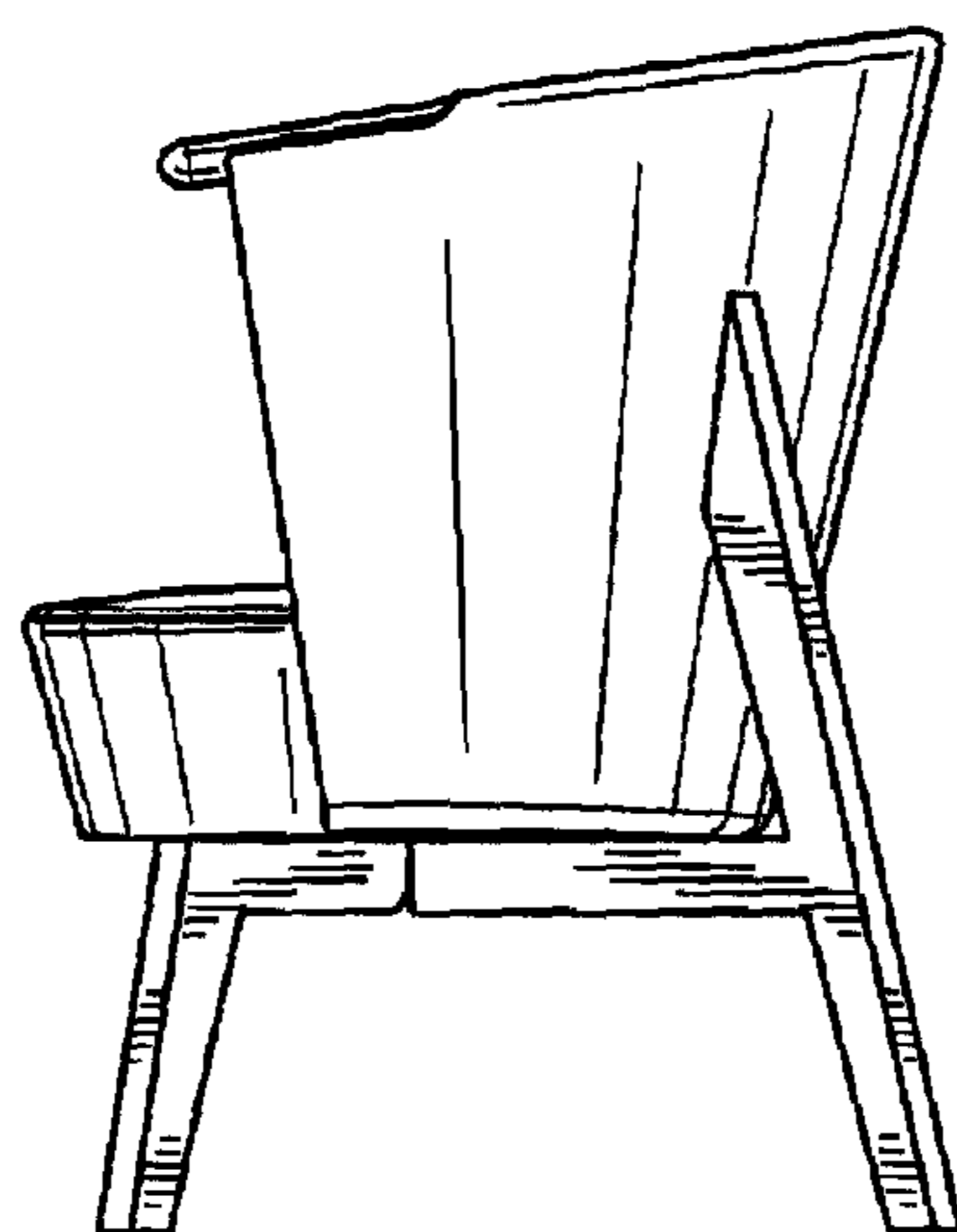


FIG. 19

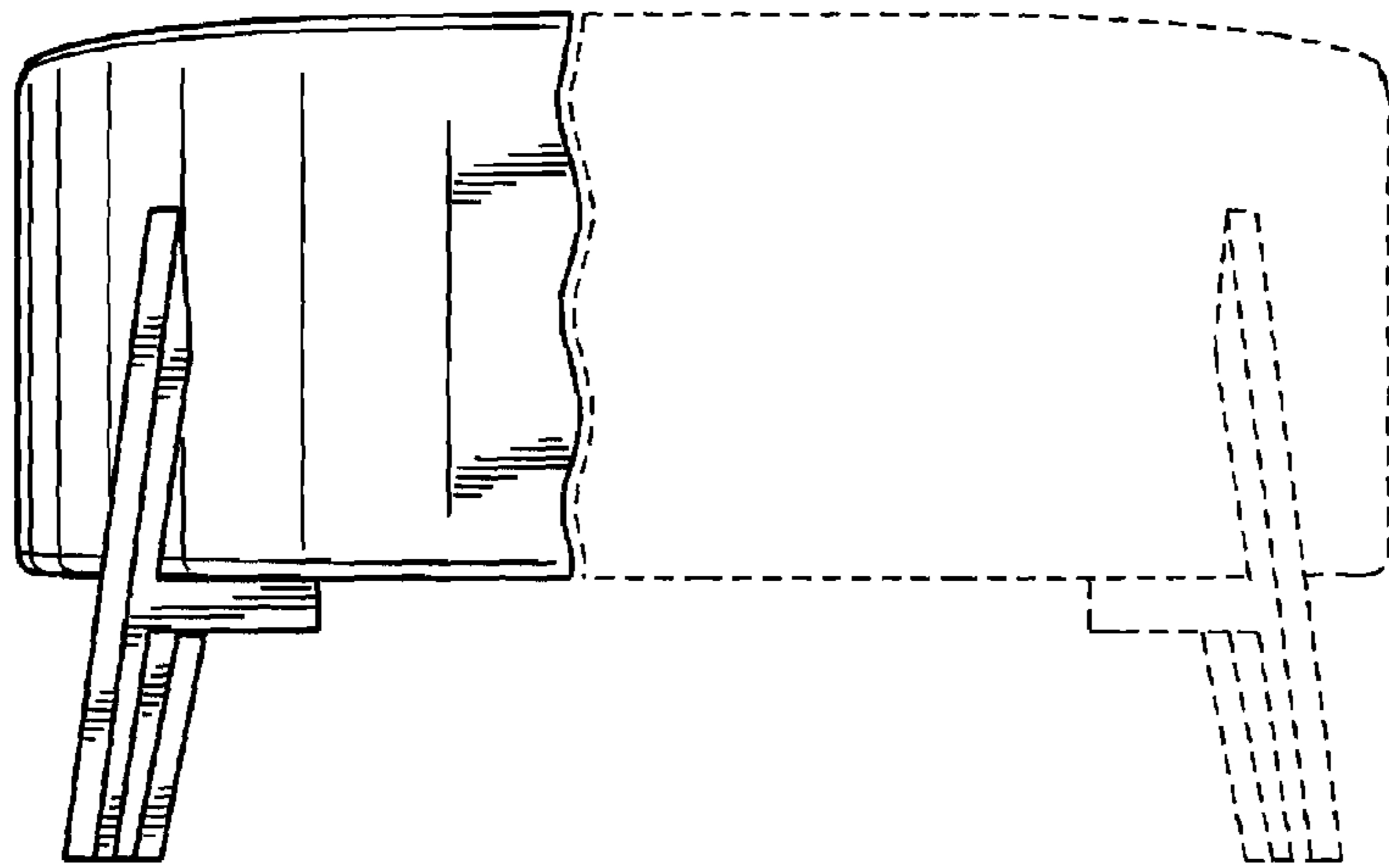


FIG. 20

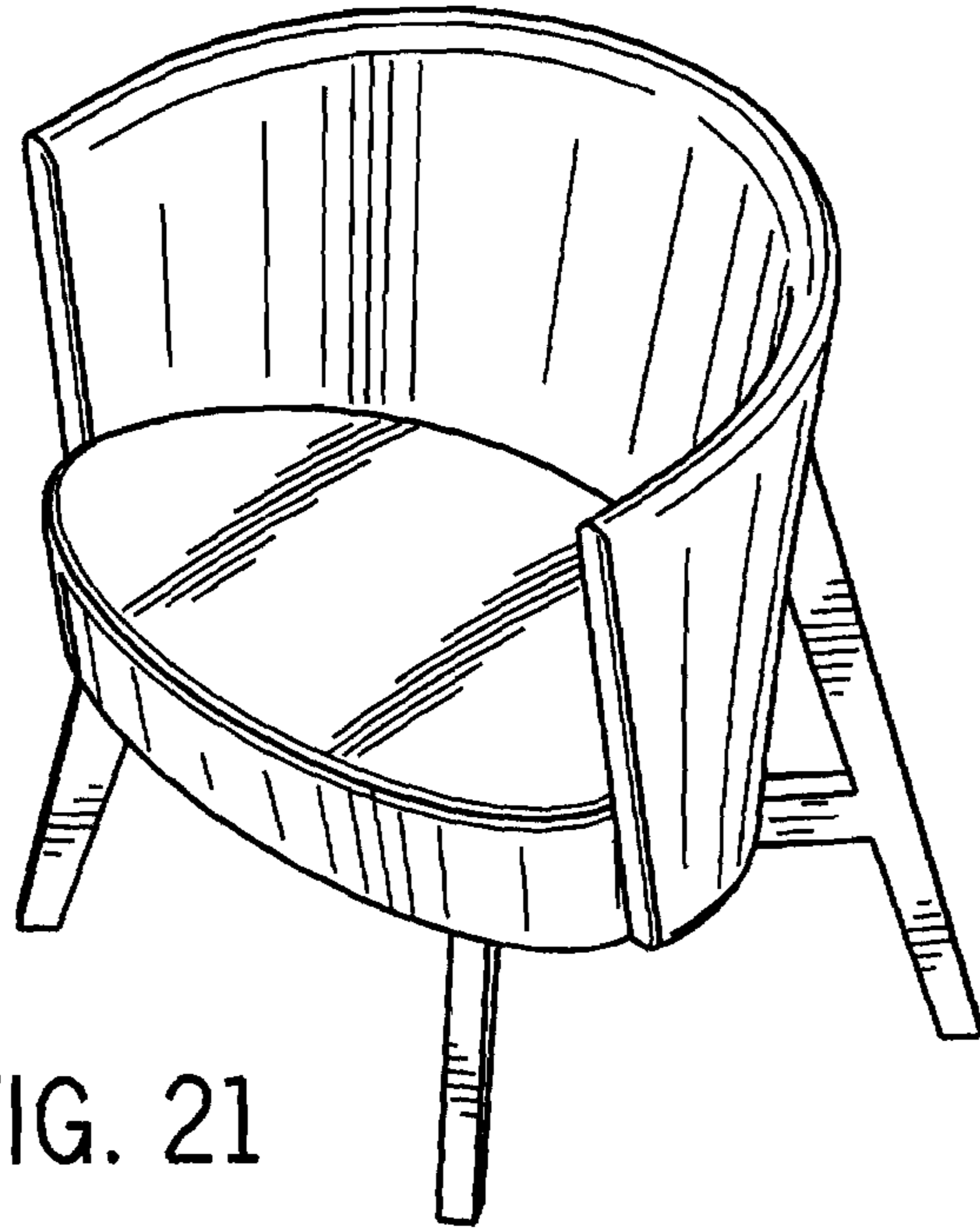


FIG. 21

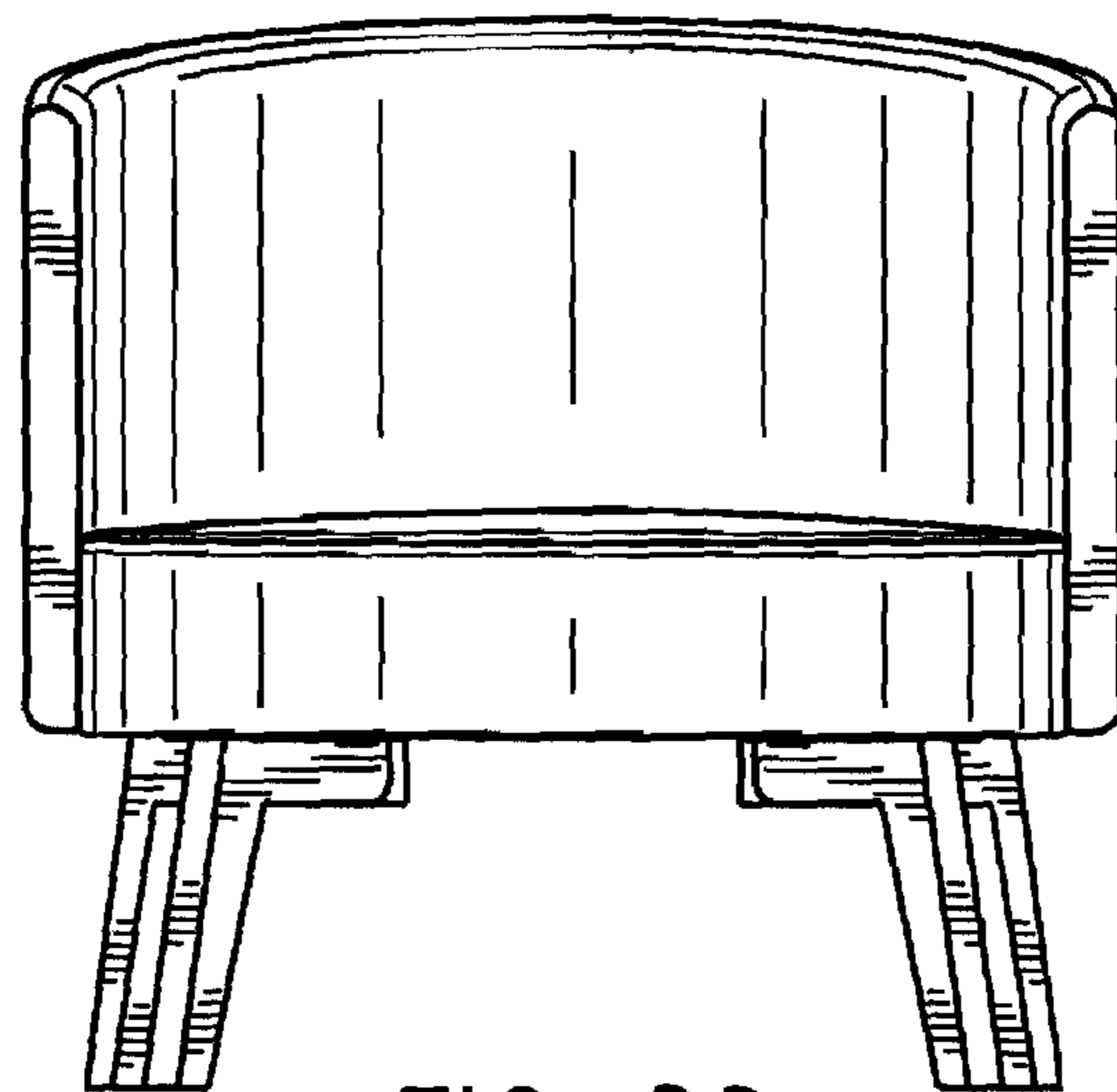


FIG. 22

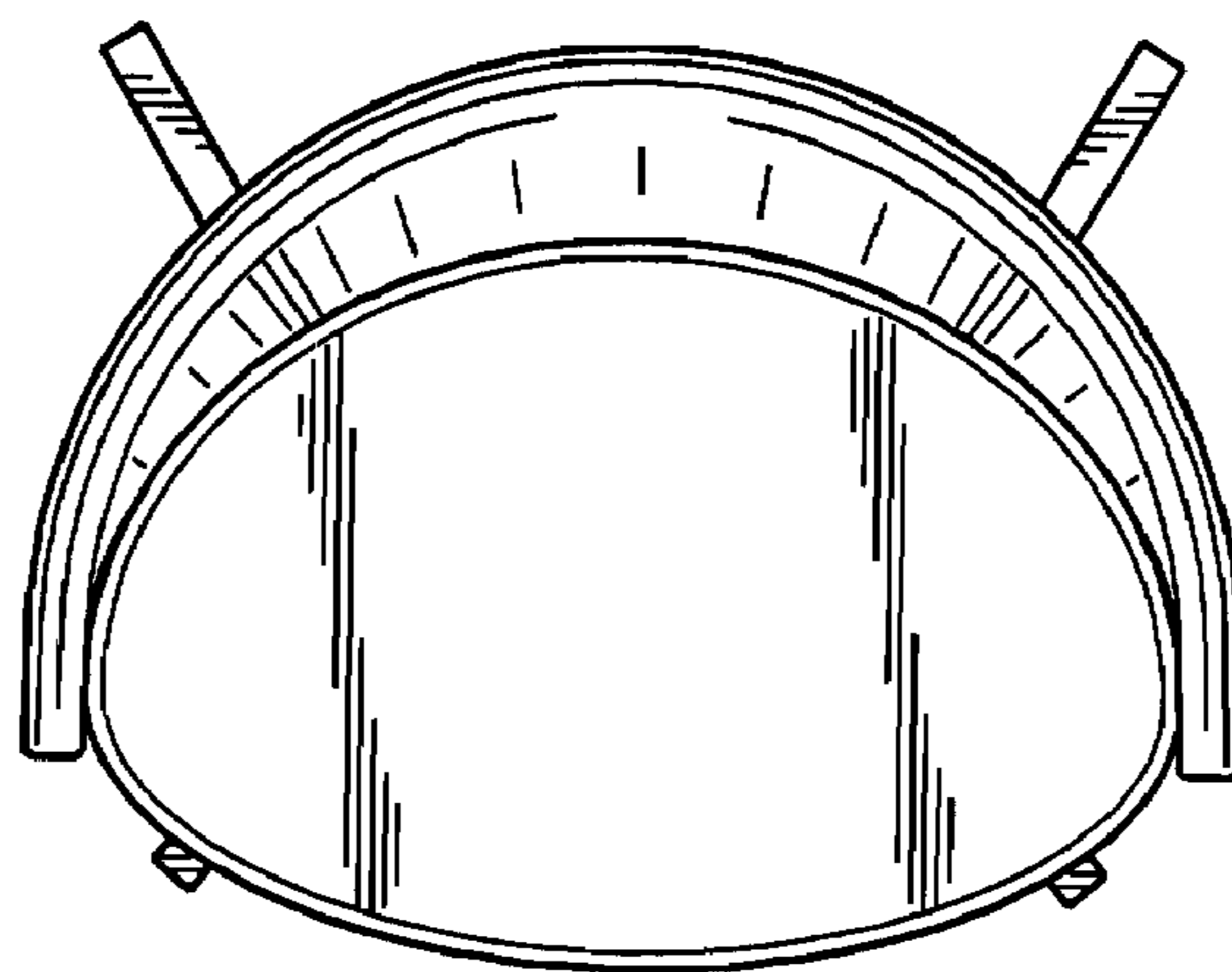


FIG. 23

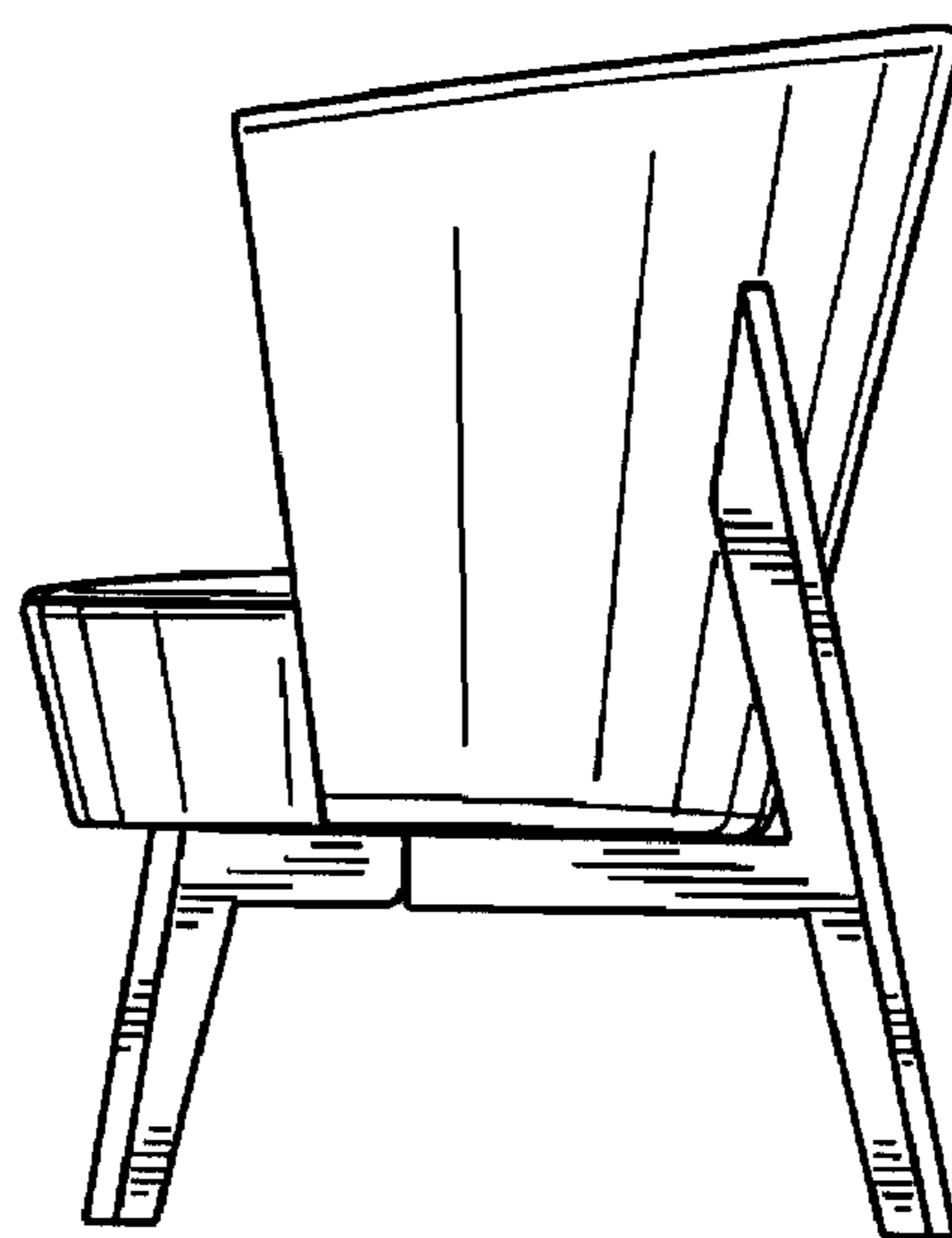


FIG. 24

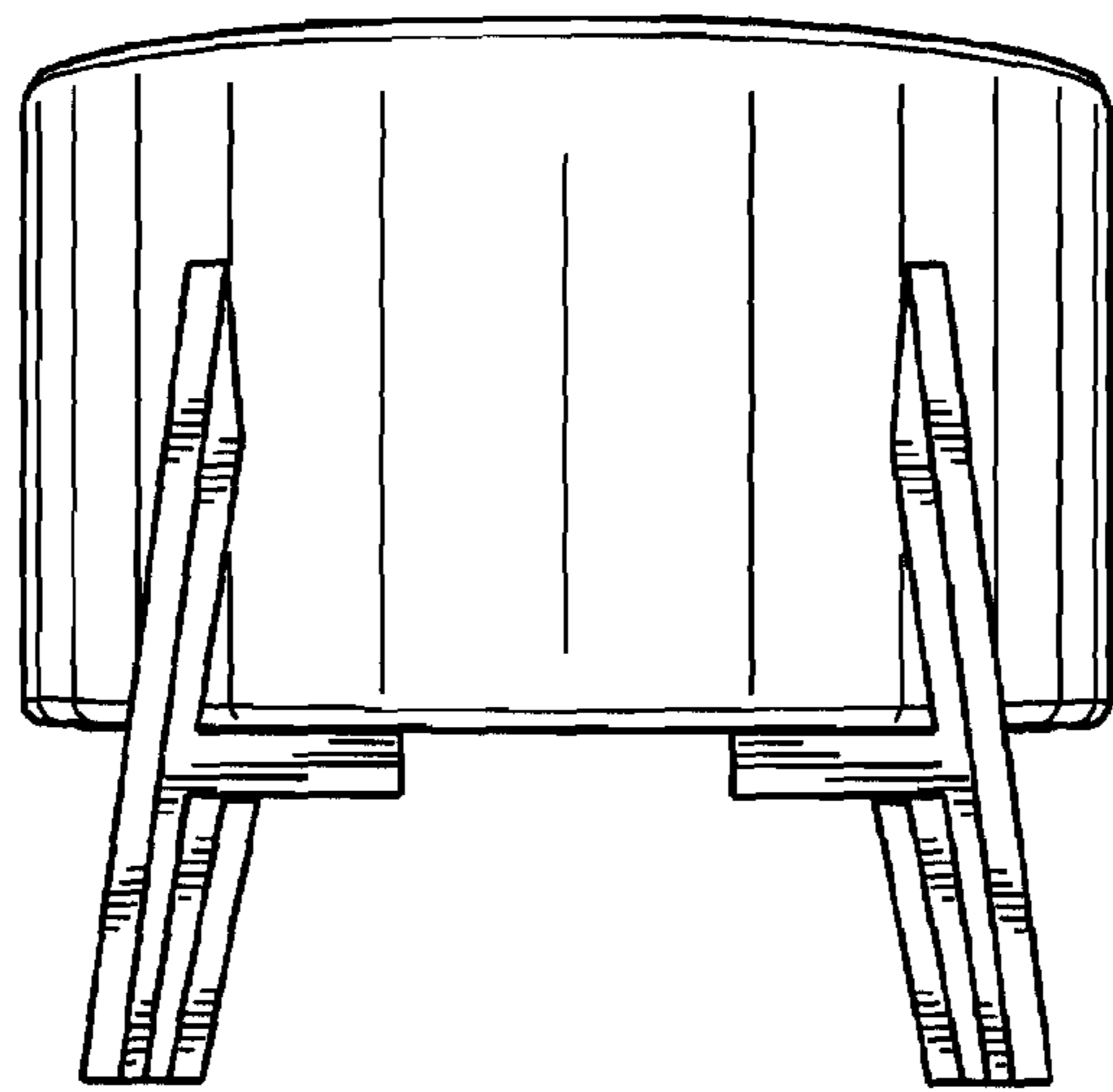


FIG. 25

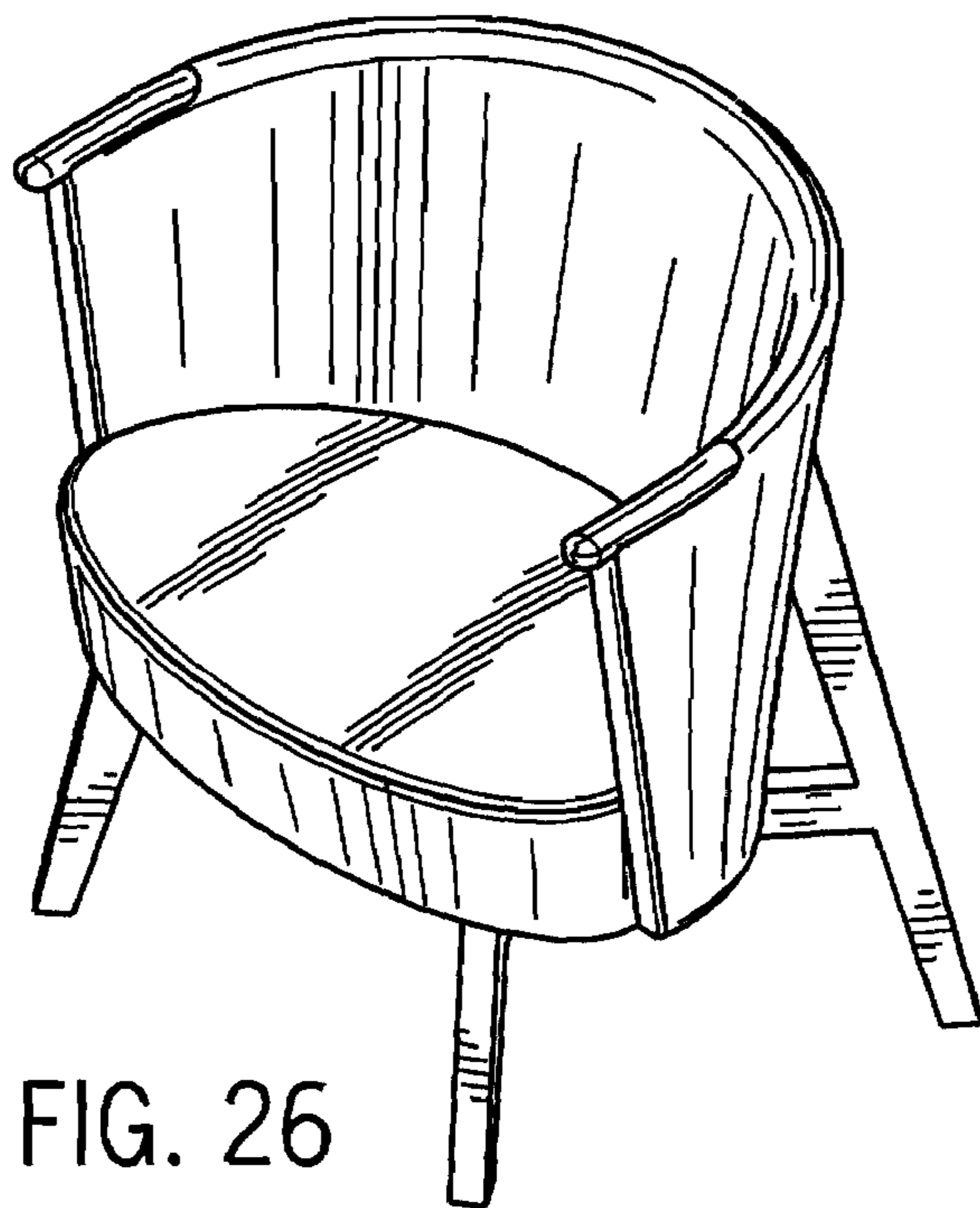


FIG. 26

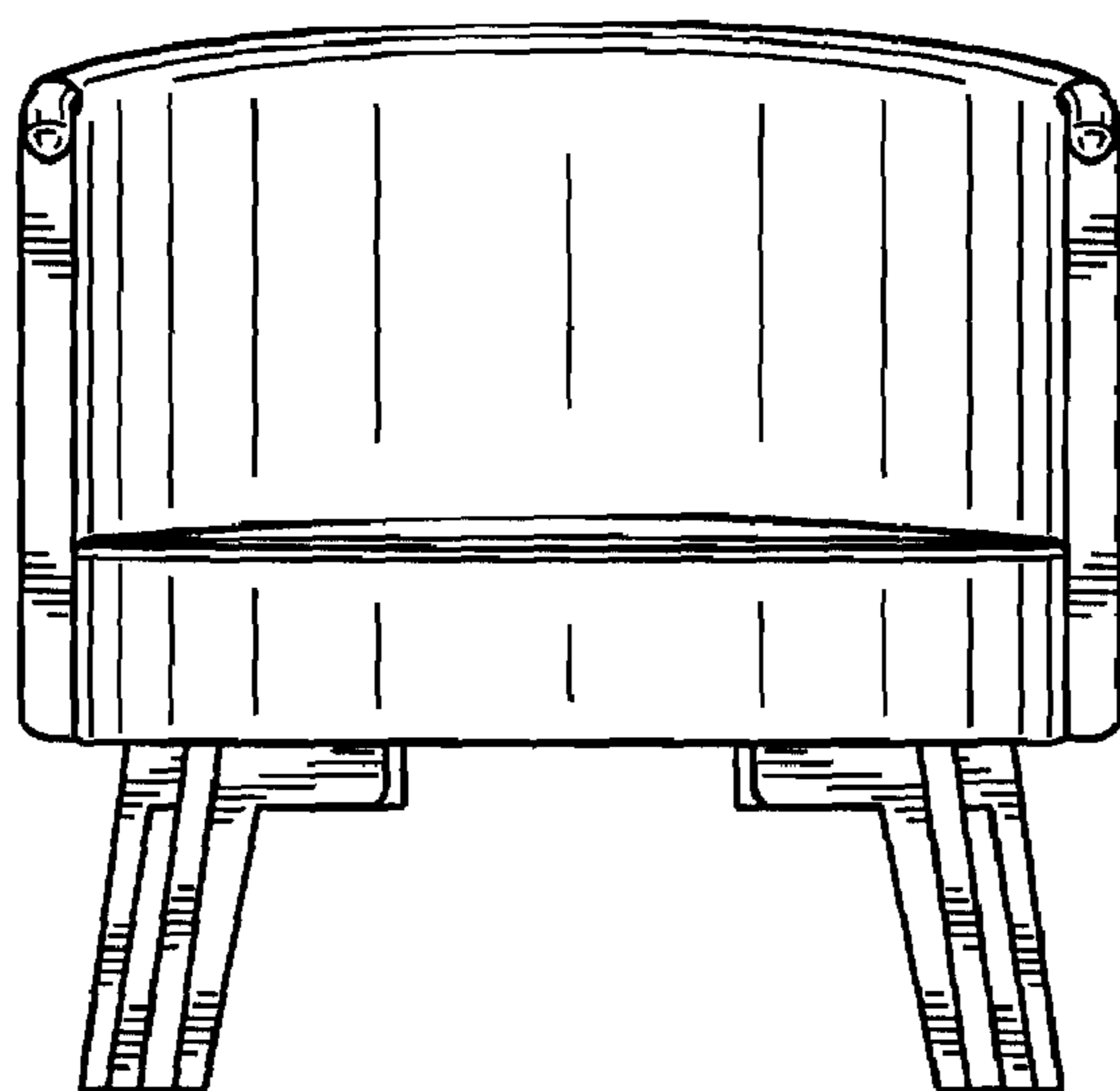


FIG. 27

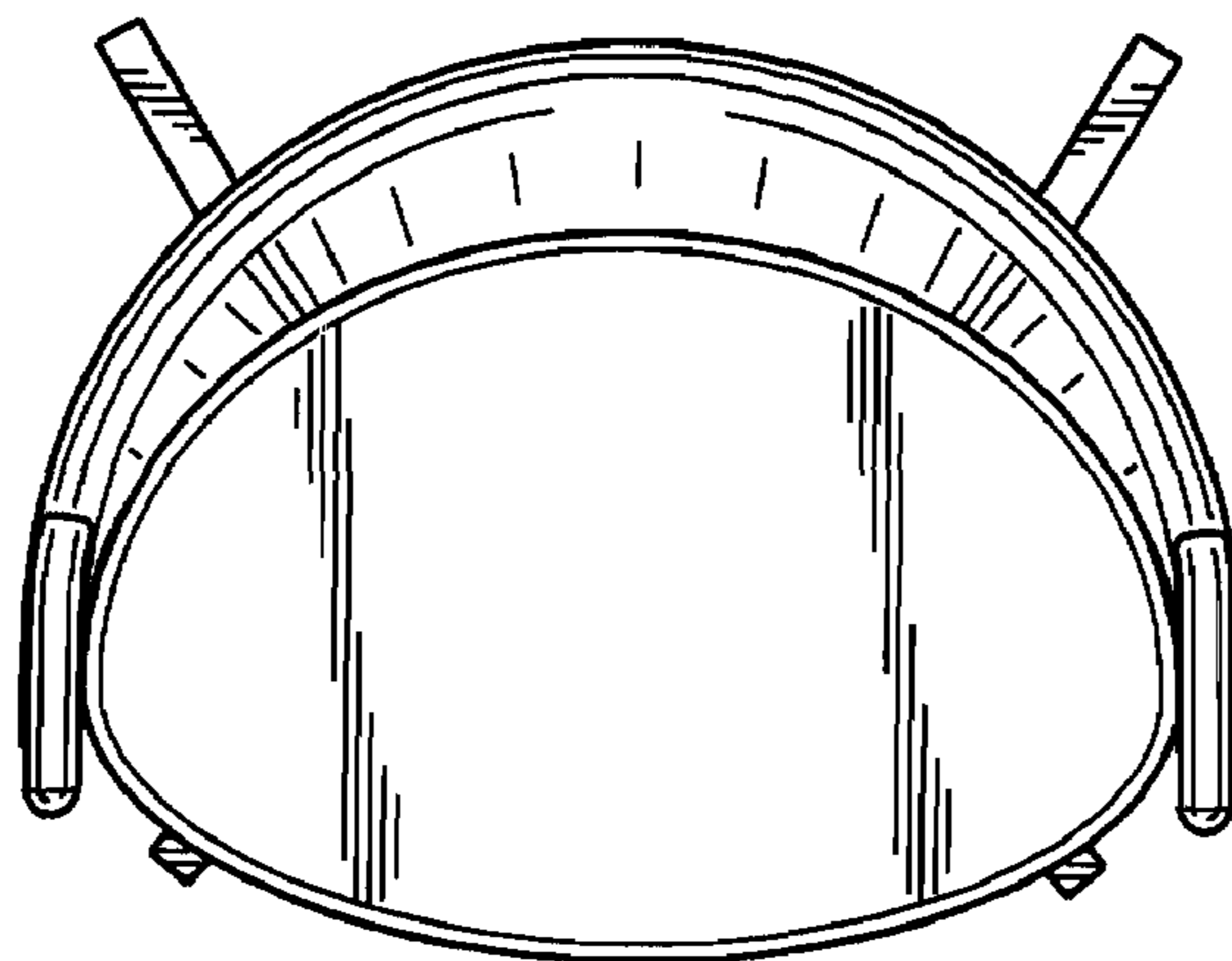


FIG. 28

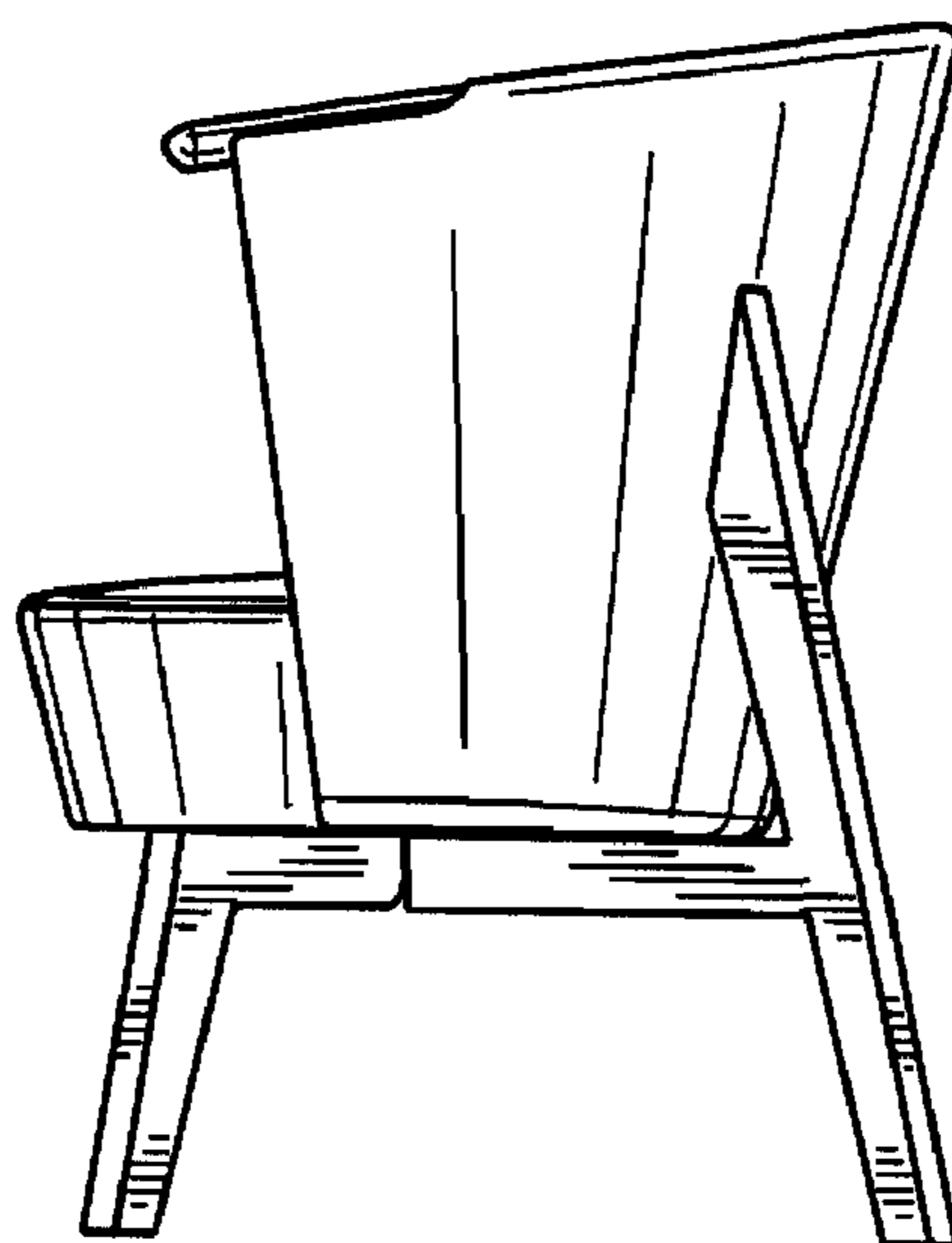


FIG. 29

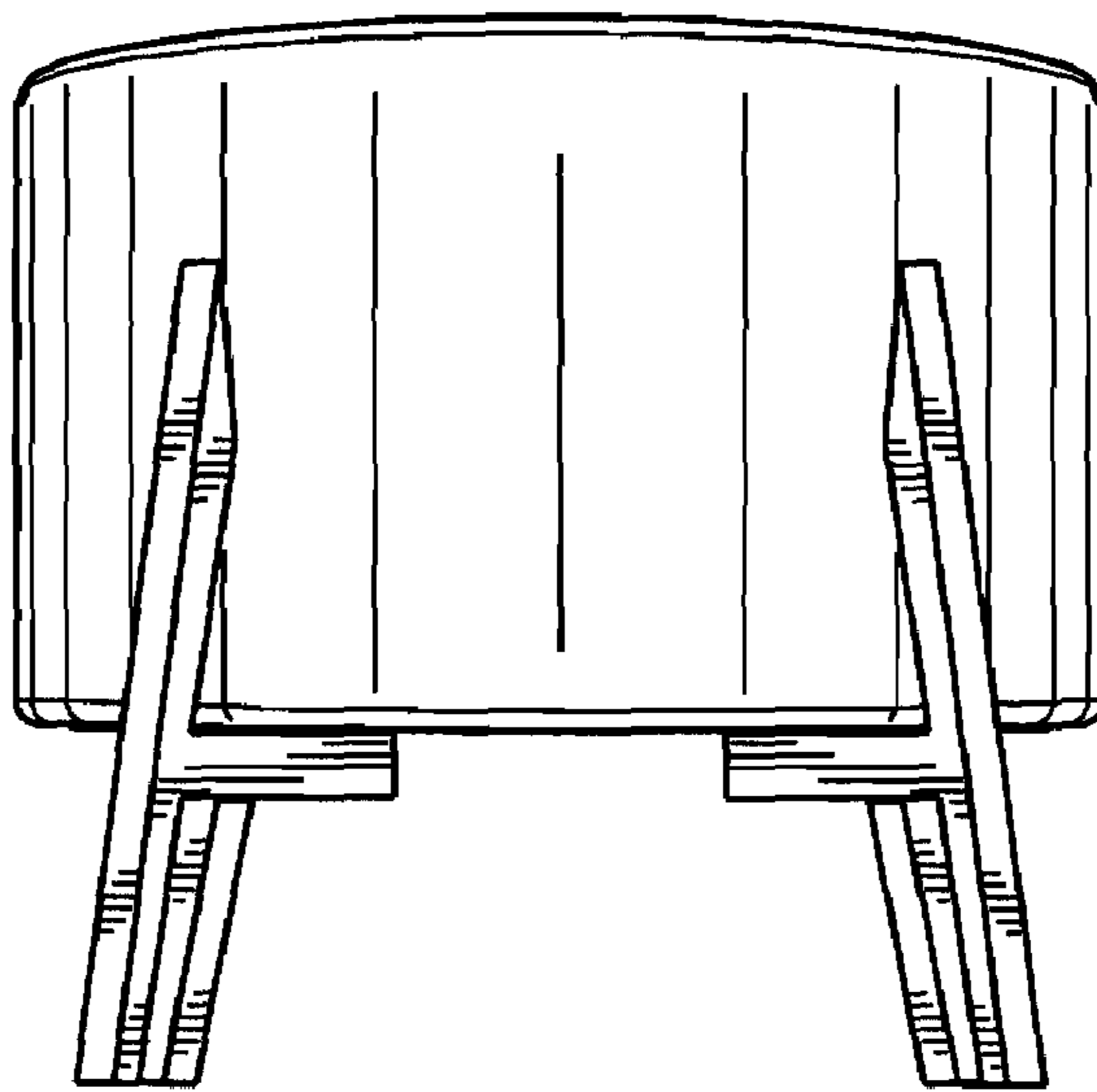


FIG. 30

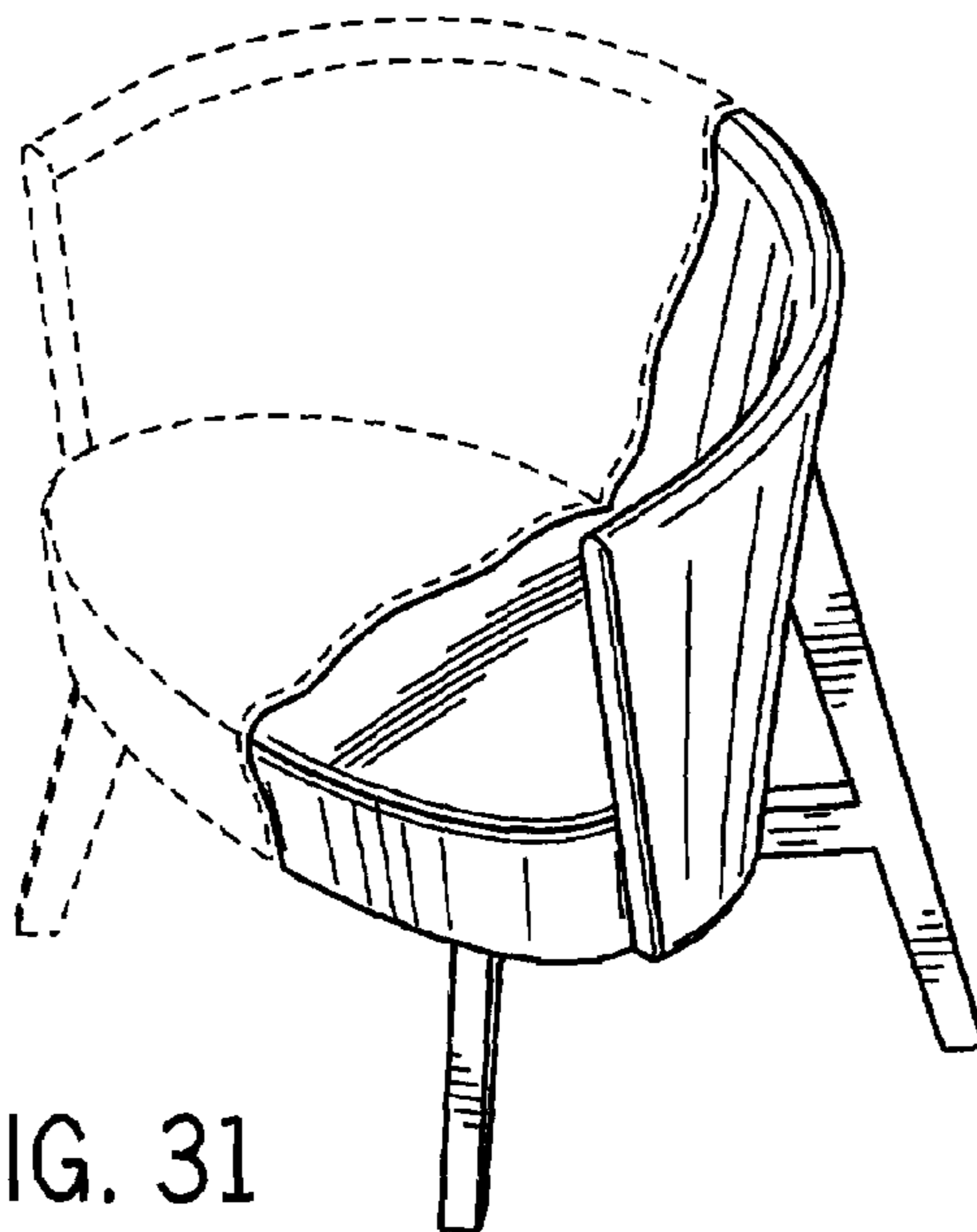


FIG. 31

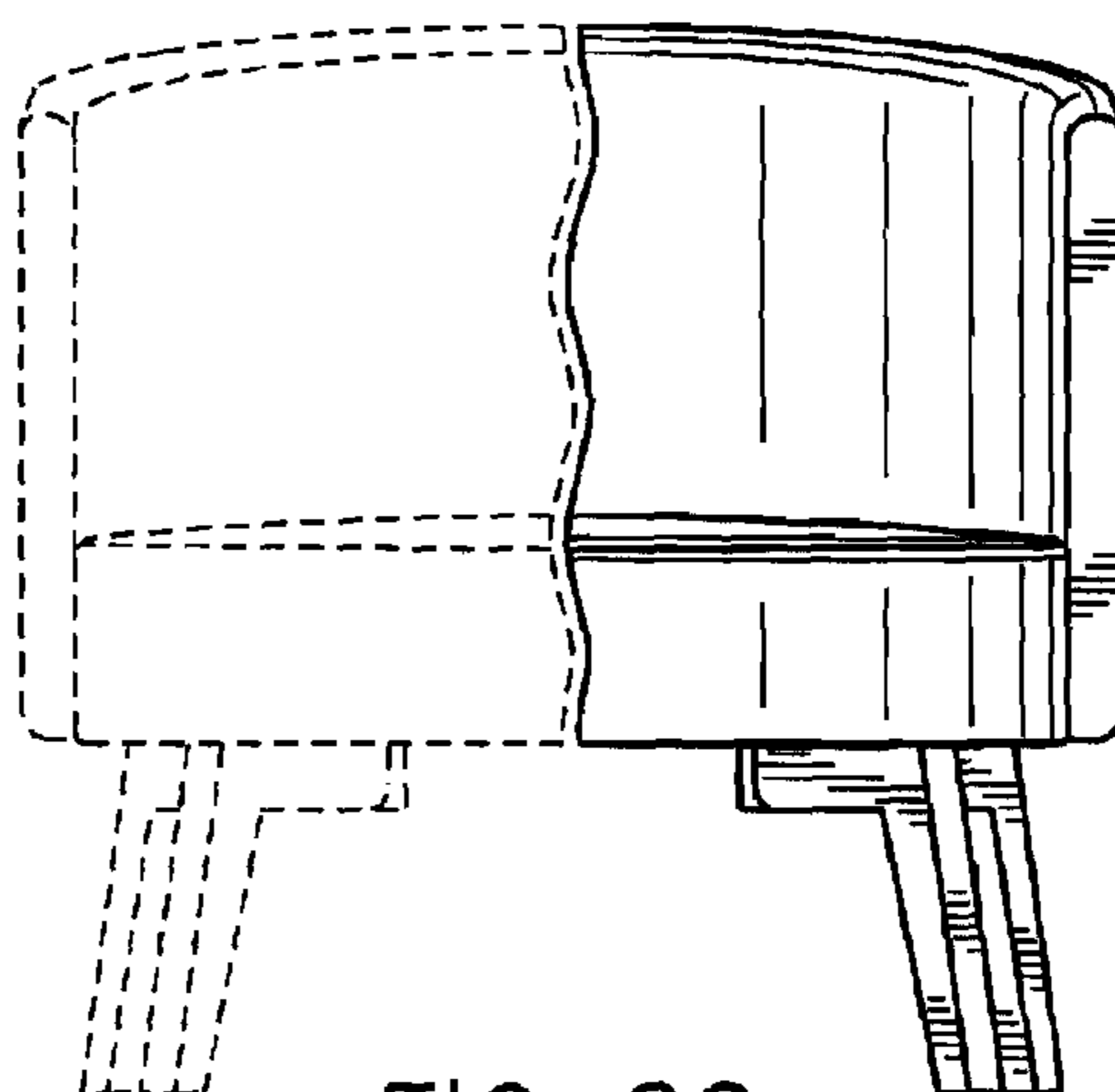


FIG. 32

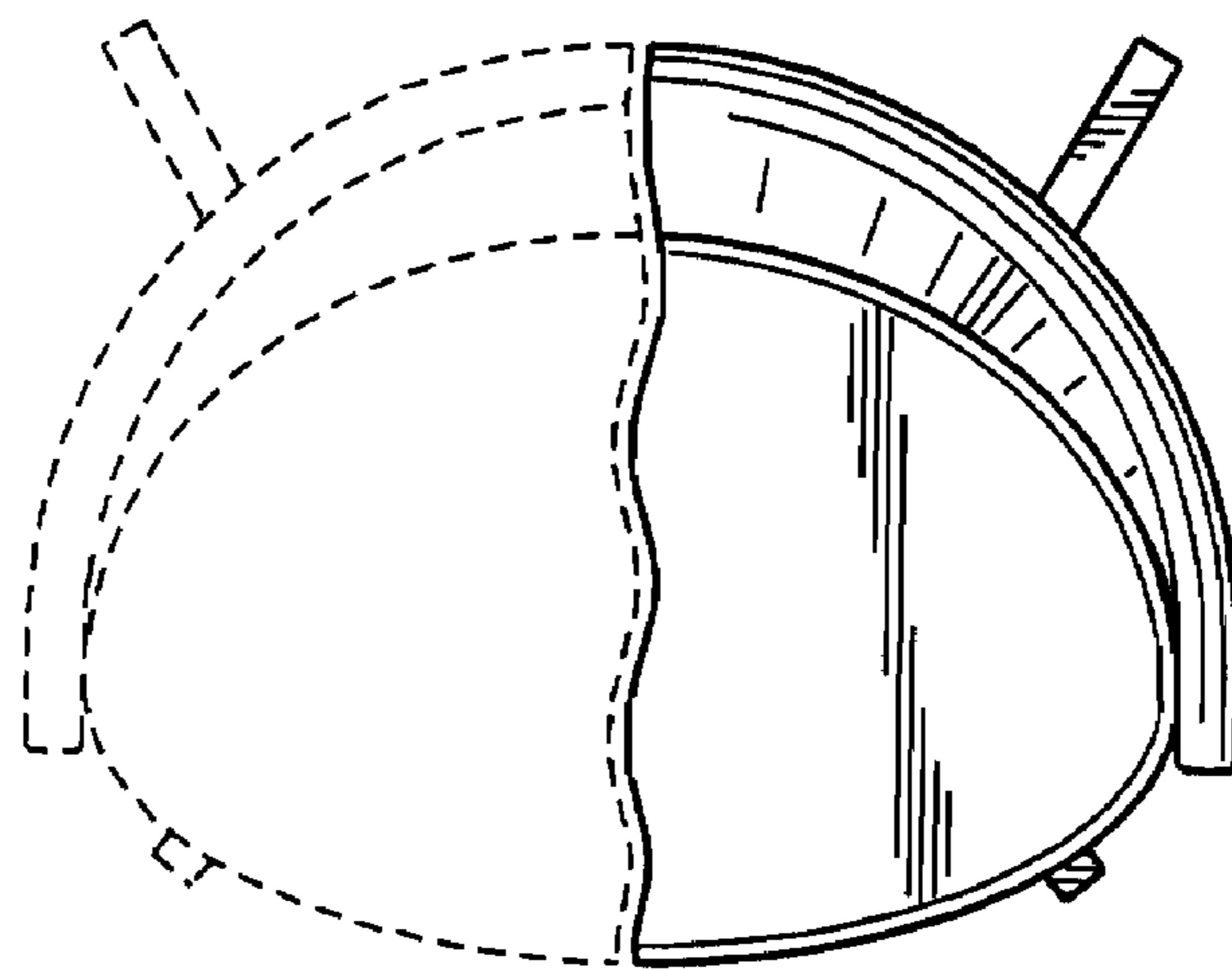


FIG. 33

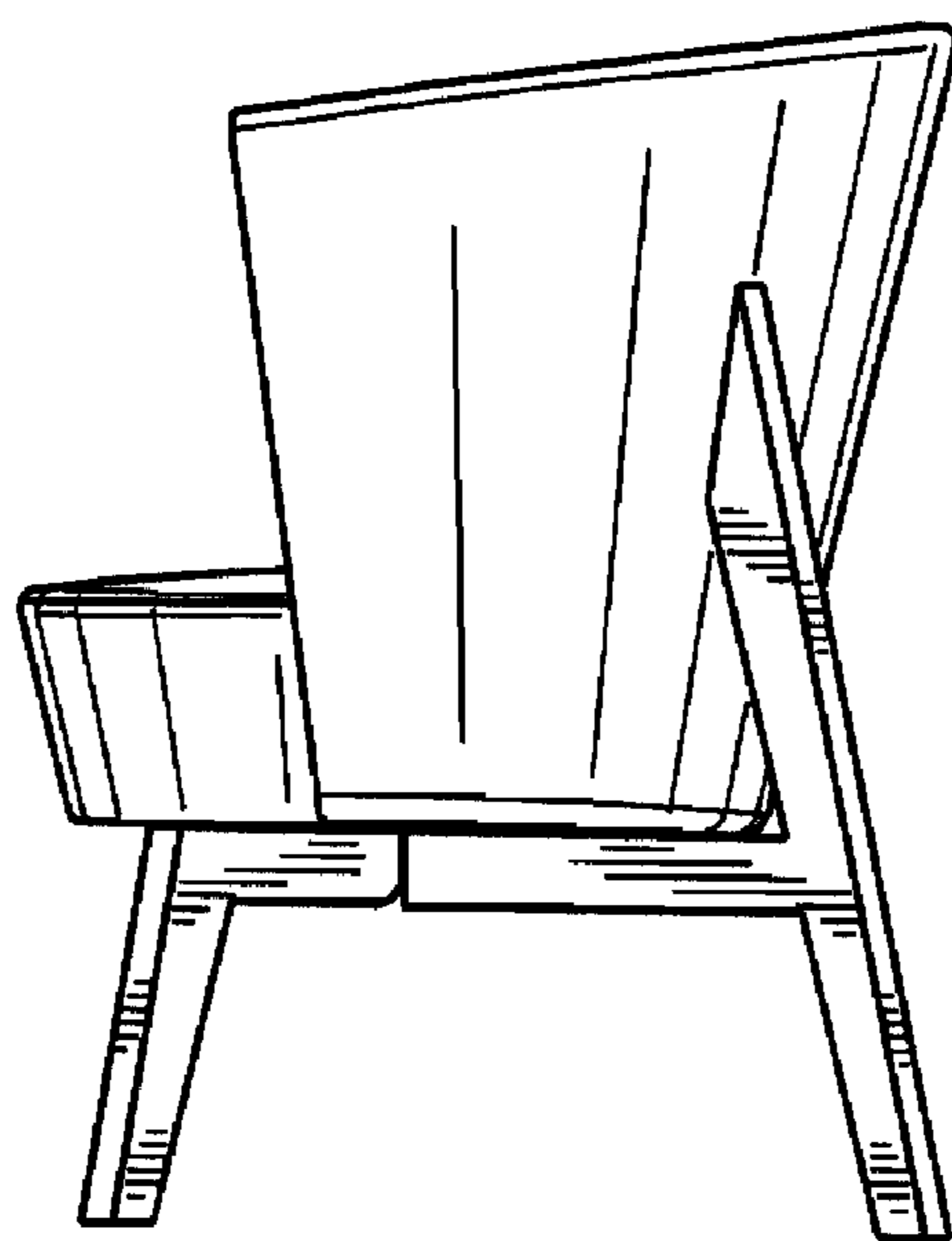


FIG. 34

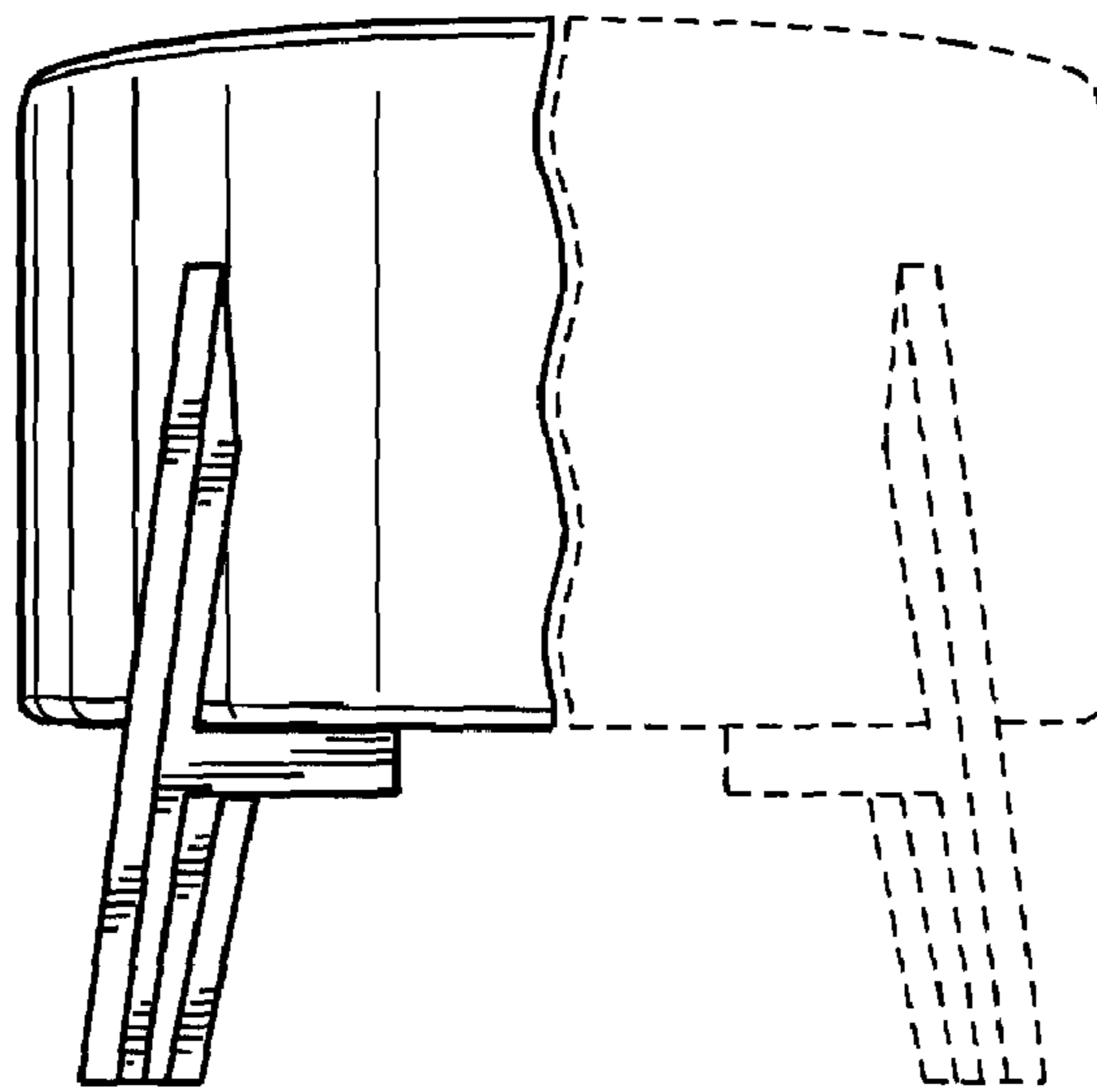


FIG. 35

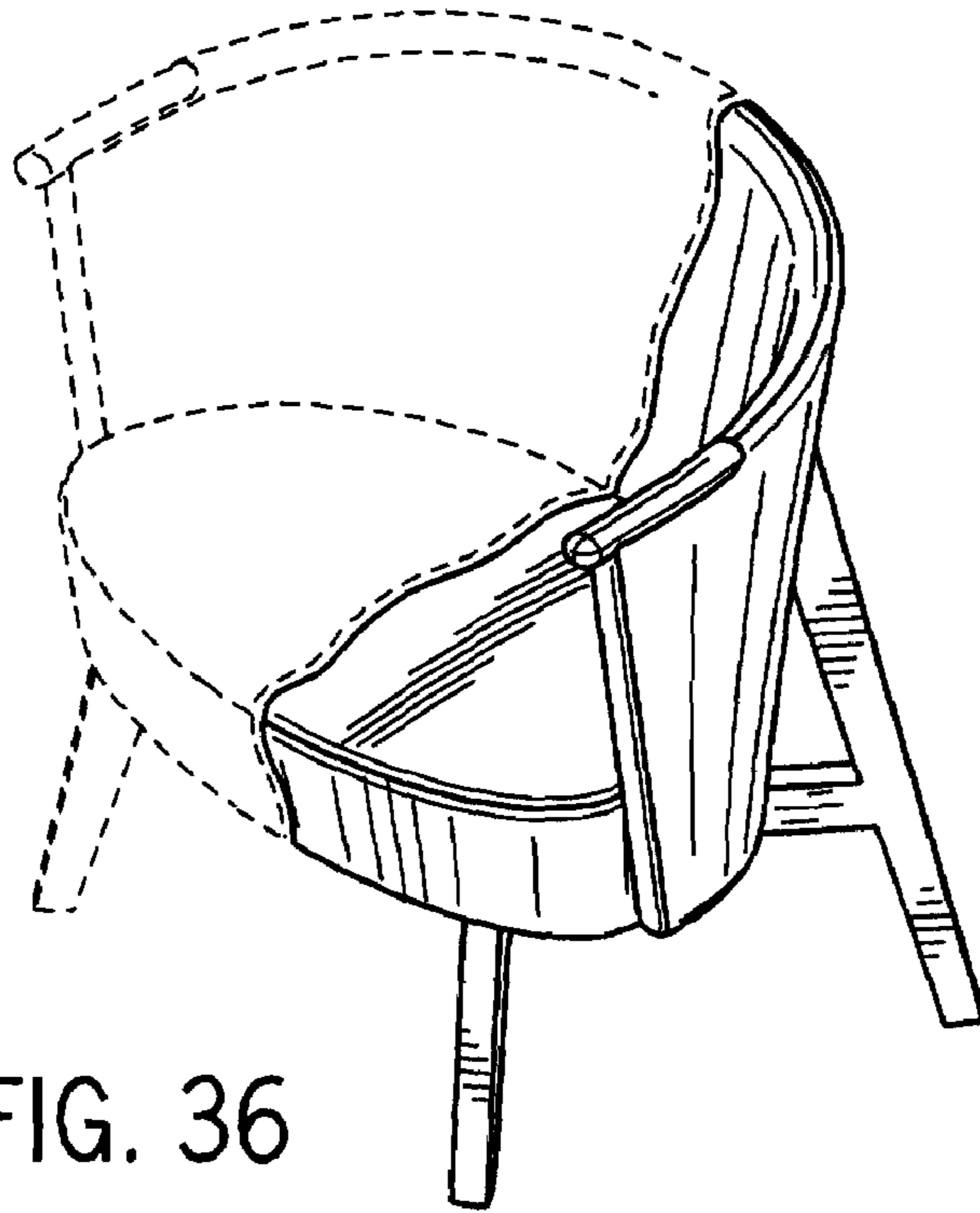


FIG. 36

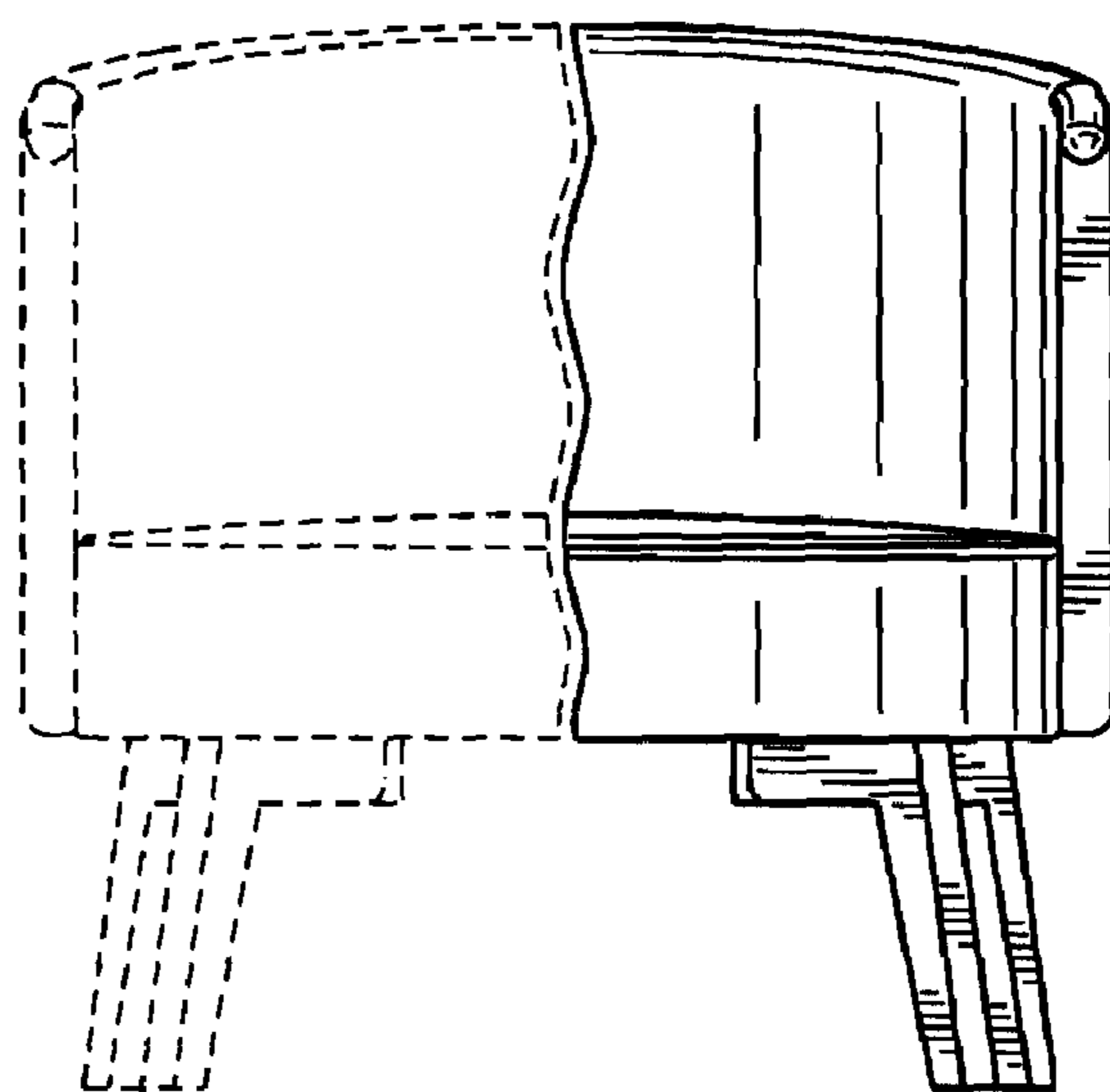


FIG. 37

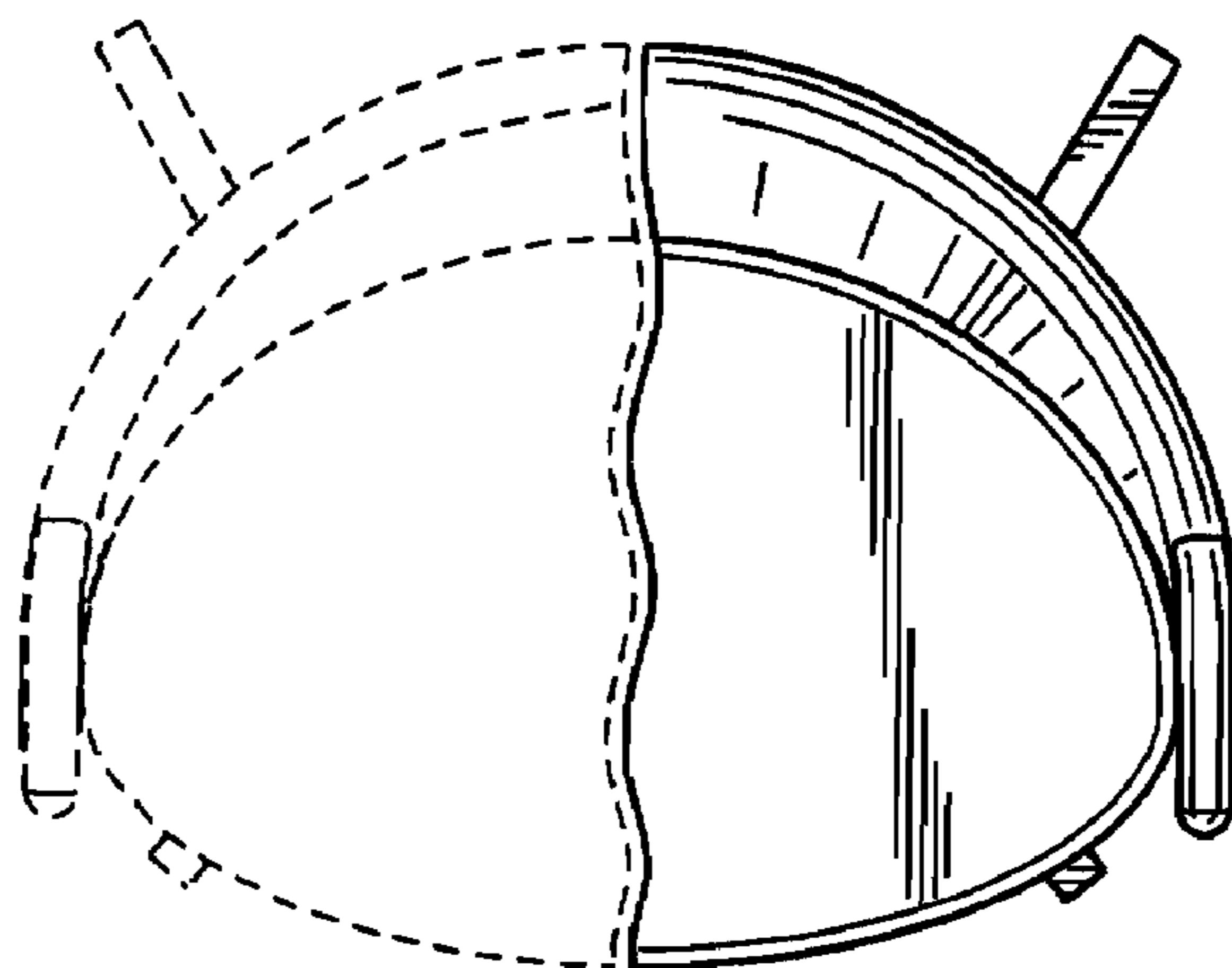


FIG. 38

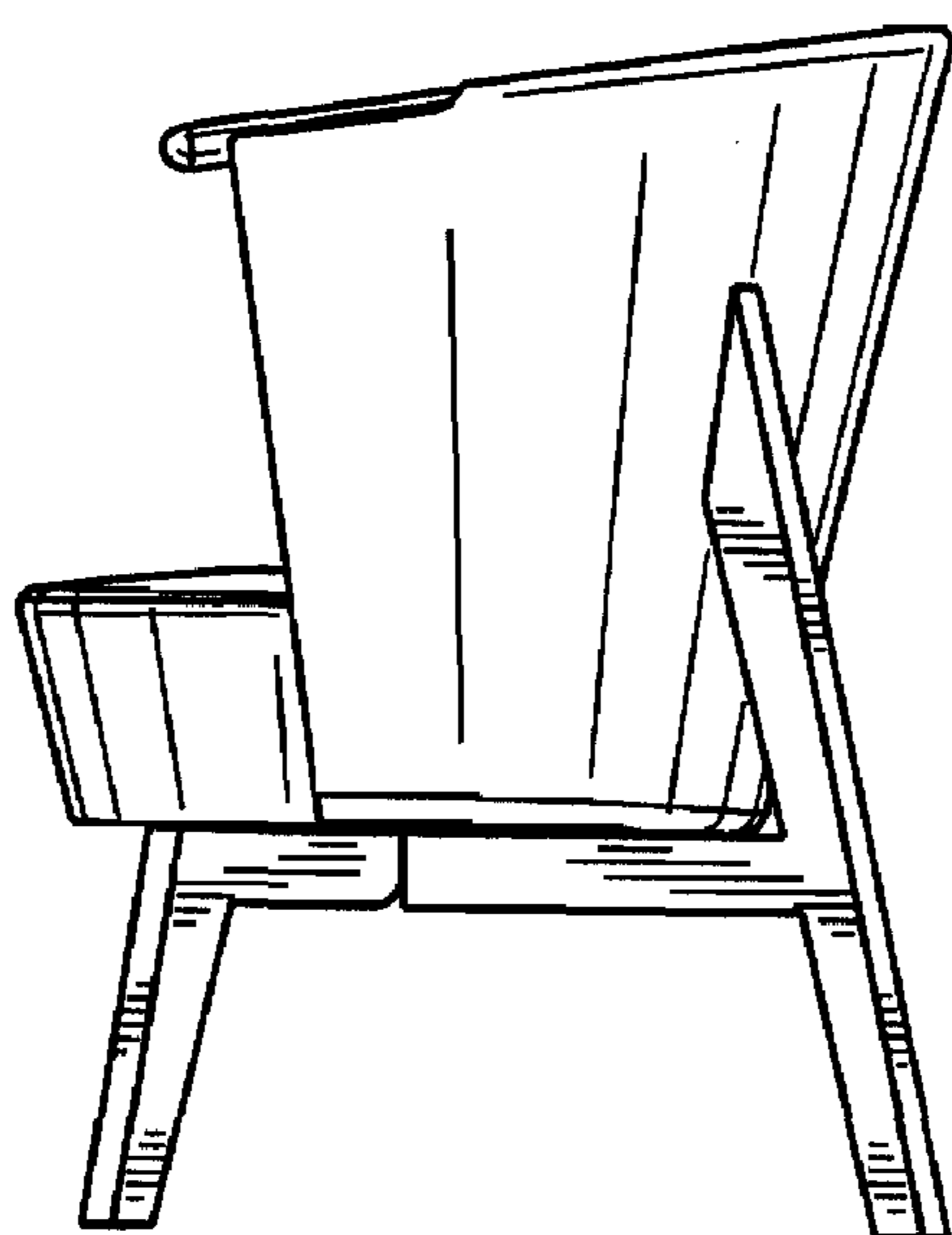


FIG. 39

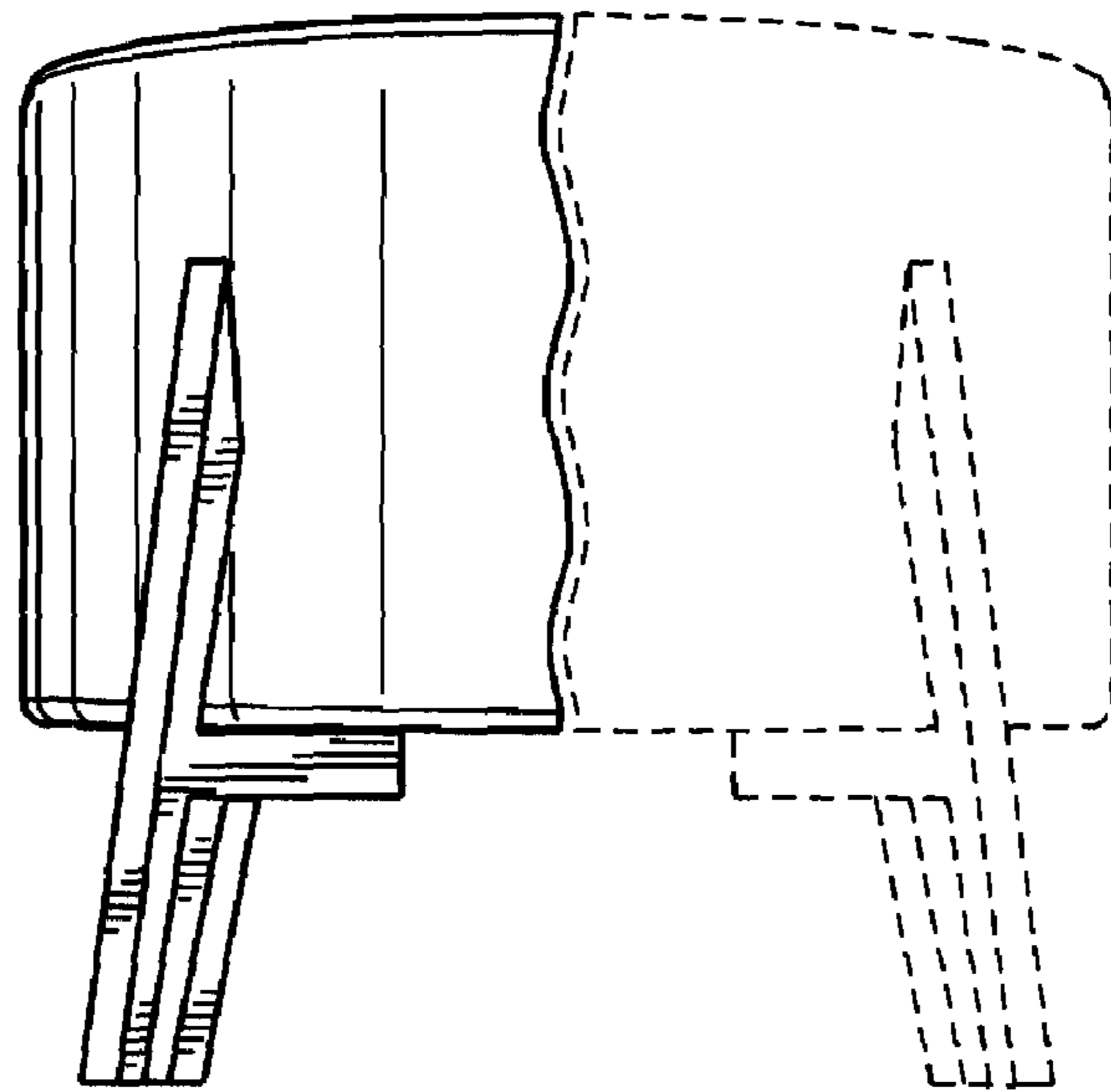


FIG. 40