

US00D600464S

(12) **United States Design Patent**
Olano Jauregui

(10) **Patent No.:** **US D600,464 S**

(45) **Date of Patent:** **** Sep. 22, 2009**

(54) **CHAIR**

(75) Inventor: **Juan Carlos Olano Jauregui**, Legorreta (ES)

(73) Assignee: **Eredu, S. Coop.**, Legorreta (ES)

(**) Term: **14 Years**

(21) Appl. No.: **29/329,906**

(22) Filed: **Dec. 23, 2008**

(30) **Foreign Application Priority Data**

Jul. 2, 2008 (EM) 000962170-0003

(51) **LOC (9) Cl.** **06-01**

(52) **U.S. Cl.** **D6/373; D6/375**

(58) **Field of Classification Search** D6/334-336,
D6/360, 364, 365, 366, 367, 371, 372, 373,
D6/374, 375, 376, 379, 380, 499, 500-502;
297/248, 445.1, 446.1, 448.1, 451.3, 451.7,
297/452.11, 452.12, 452.14, 452.18, 452.19,
297/452.2, 452.29

See application file for complete search history.

(56) **References Cited**

U.S. PATENT DOCUMENTS

D166,397 S * 4/1952 Komai D6/375
D181,676 S * 12/1957 Ristenpart D6/373

D182,790 S * 5/1958 Cohen D6/375
3,201,172 A * 8/1965 Bliss 297/448.1
3,697,130 A * 10/1972 Barecki et al. 297/248
D244,978 S * 7/1977 Polsky et al. D6/373
D269,831 S * 7/1983 Crone D6/373
D333,044 S * 2/1993 Caruso D6/373
D518,304 S * 4/2006 Crescenti D6/373
D562,019 S * 2/2008 Lievore D6/366
D564,248 S * 3/2008 Alter Molina et al. D6/373

* cited by examiner

Primary Examiner—Mimosa De

(74) *Attorney, Agent, or Firm*—Lucas & Mercanti, LLP

(57) **CLAIM**

The ornamental design for a chair, substantially as shown and described.

DESCRIPTION

FIG. 1 is a perspective view of my chair design;

FIG. 2 is a front view of my chair design;

FIG. 3 is a right-side view of my chair design;

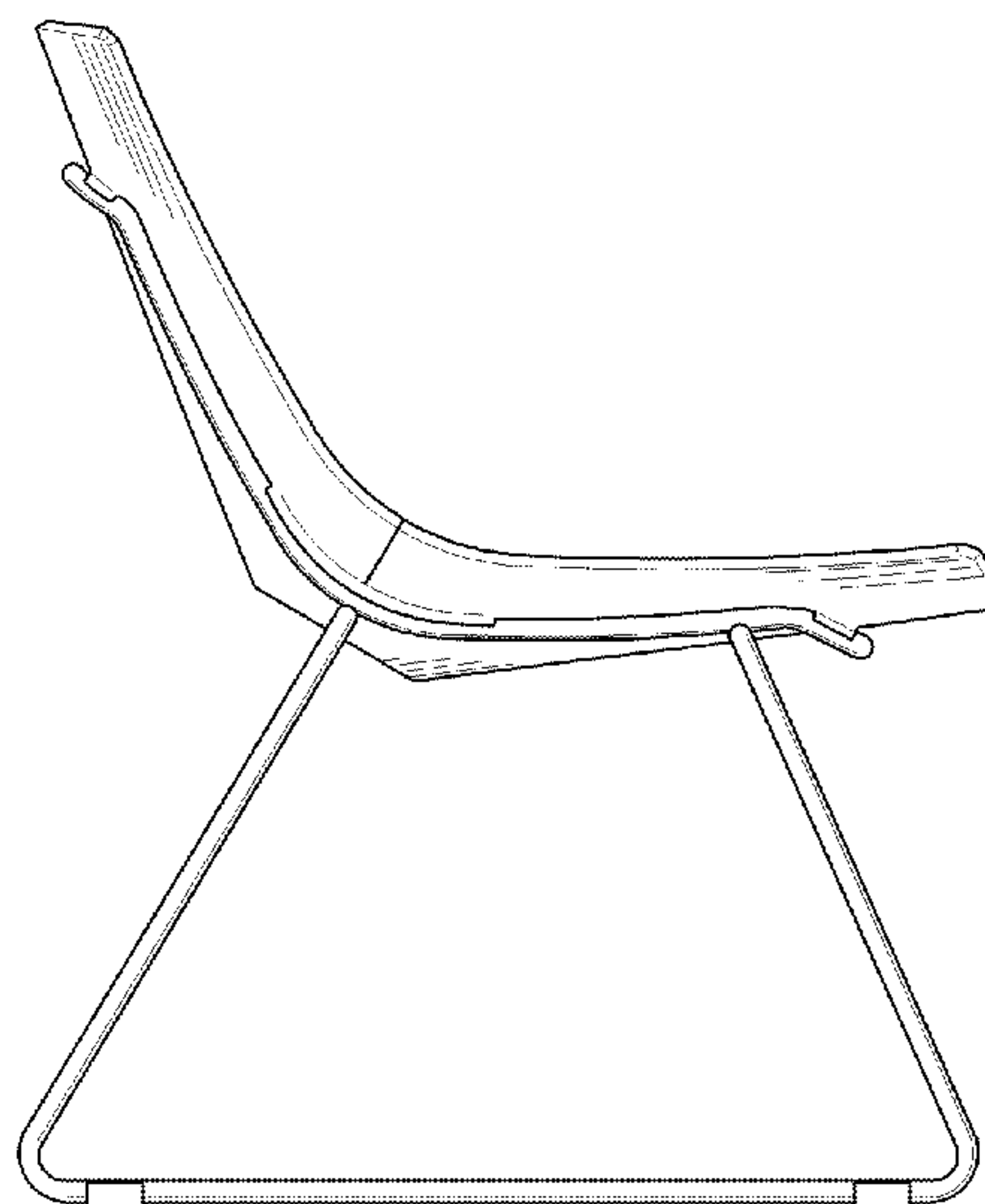
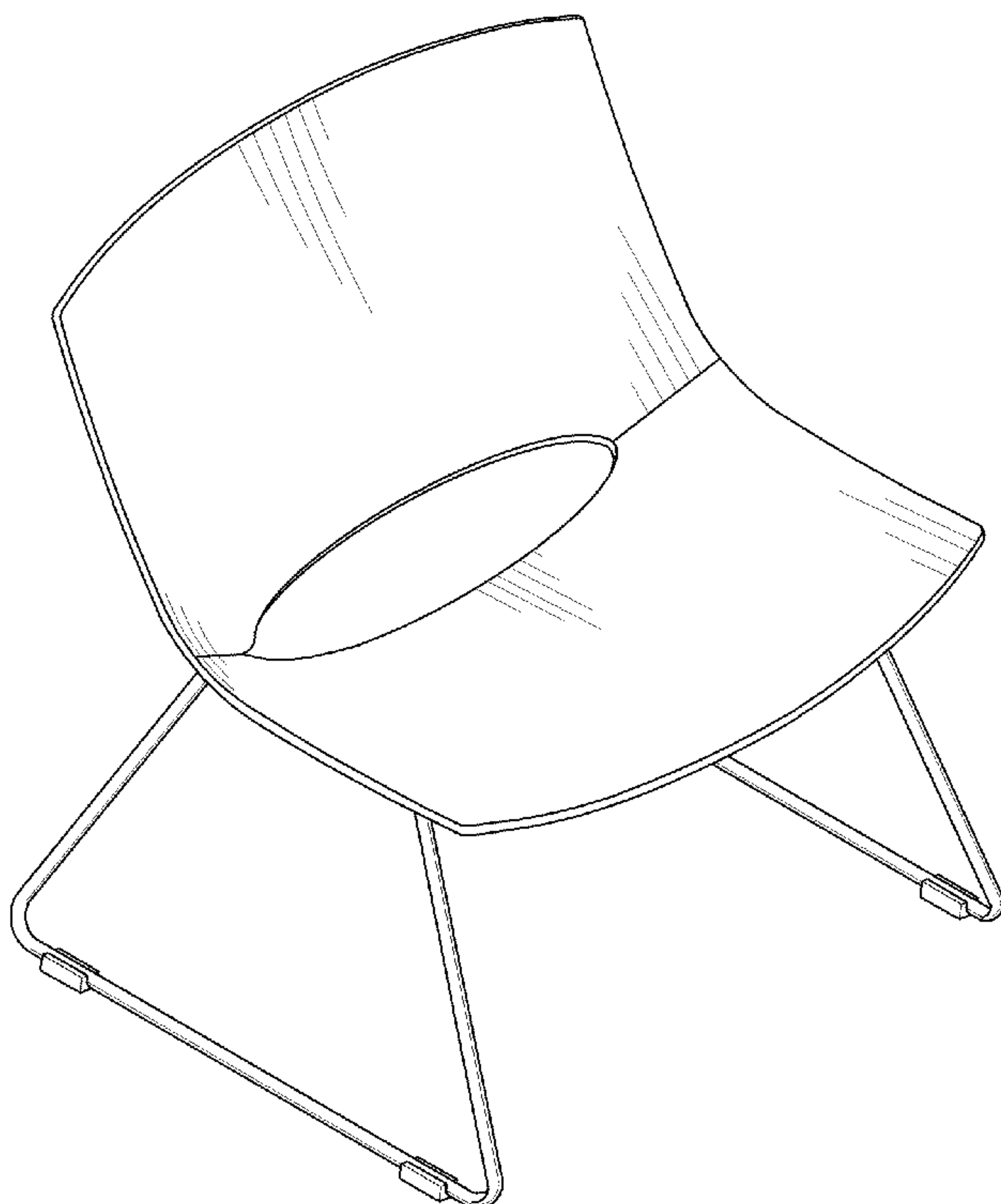
FIG. 4 is a top view of my chair design;

FIG. 5 is a back view of my chair design;

FIG. 6 is a left-side view of my chair design; and,

FIG. 7 is a bottom view of my chair design.

1 Claim, 7 Drawing Sheets



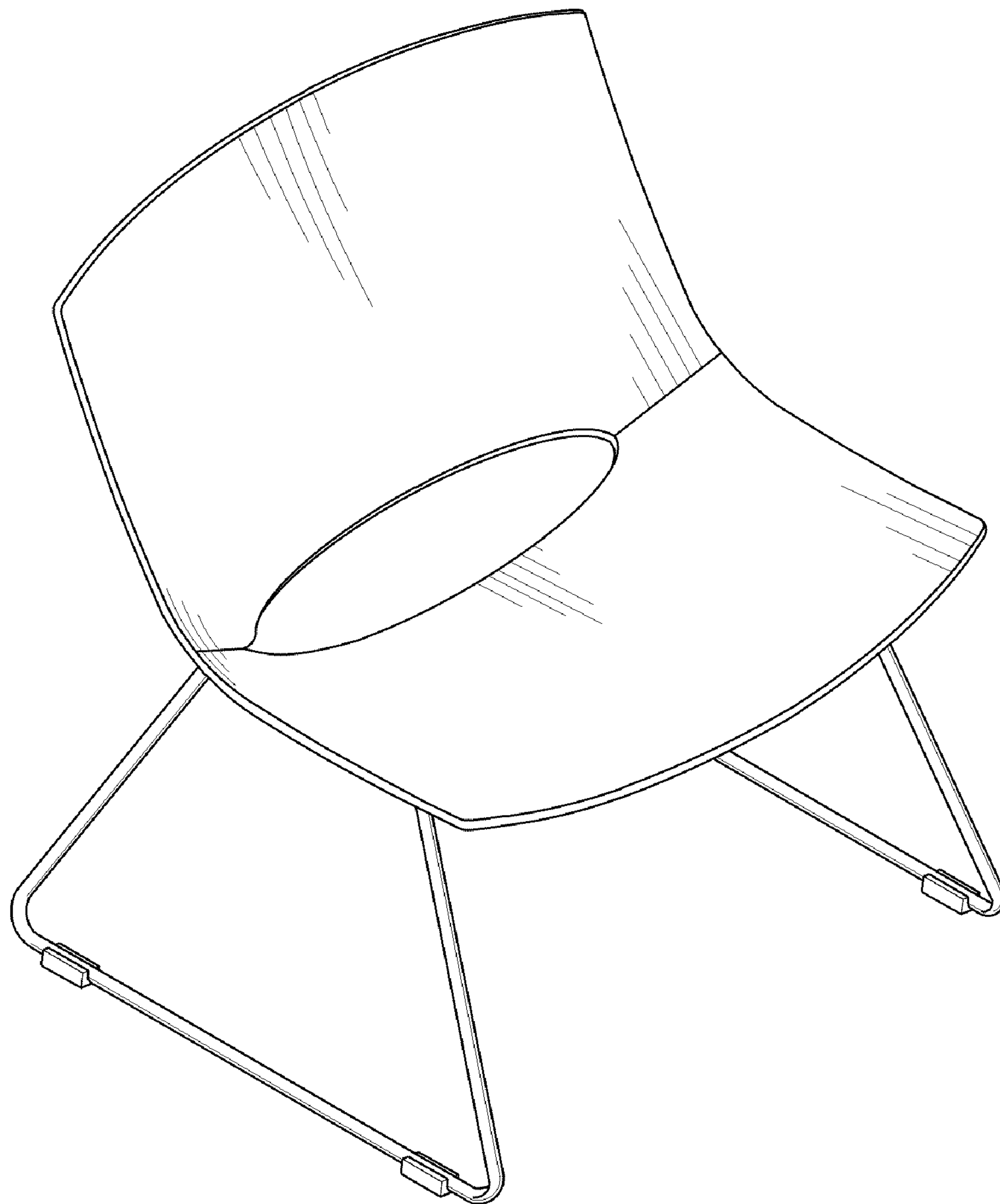


FIG. 1

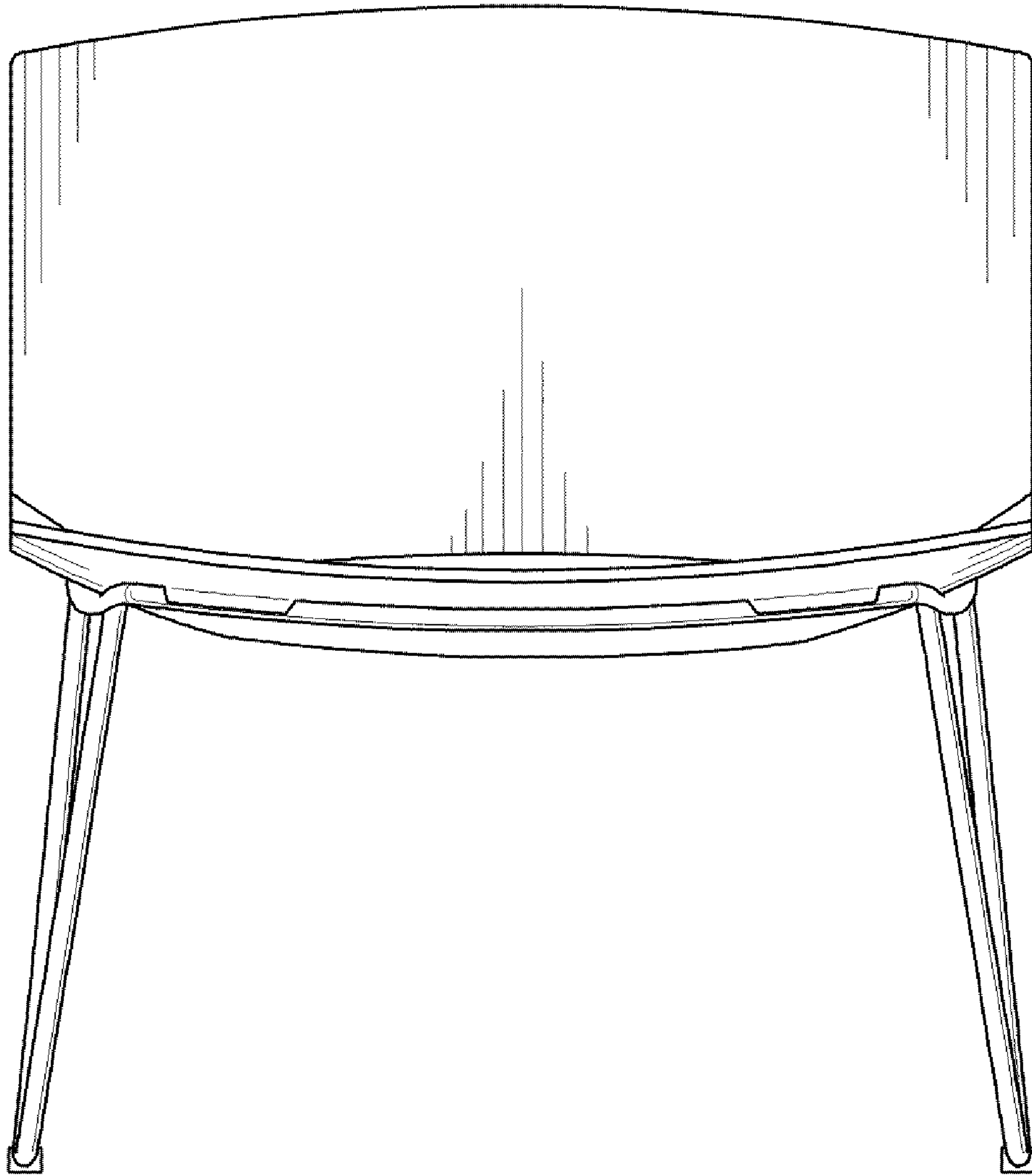


FIG. 2

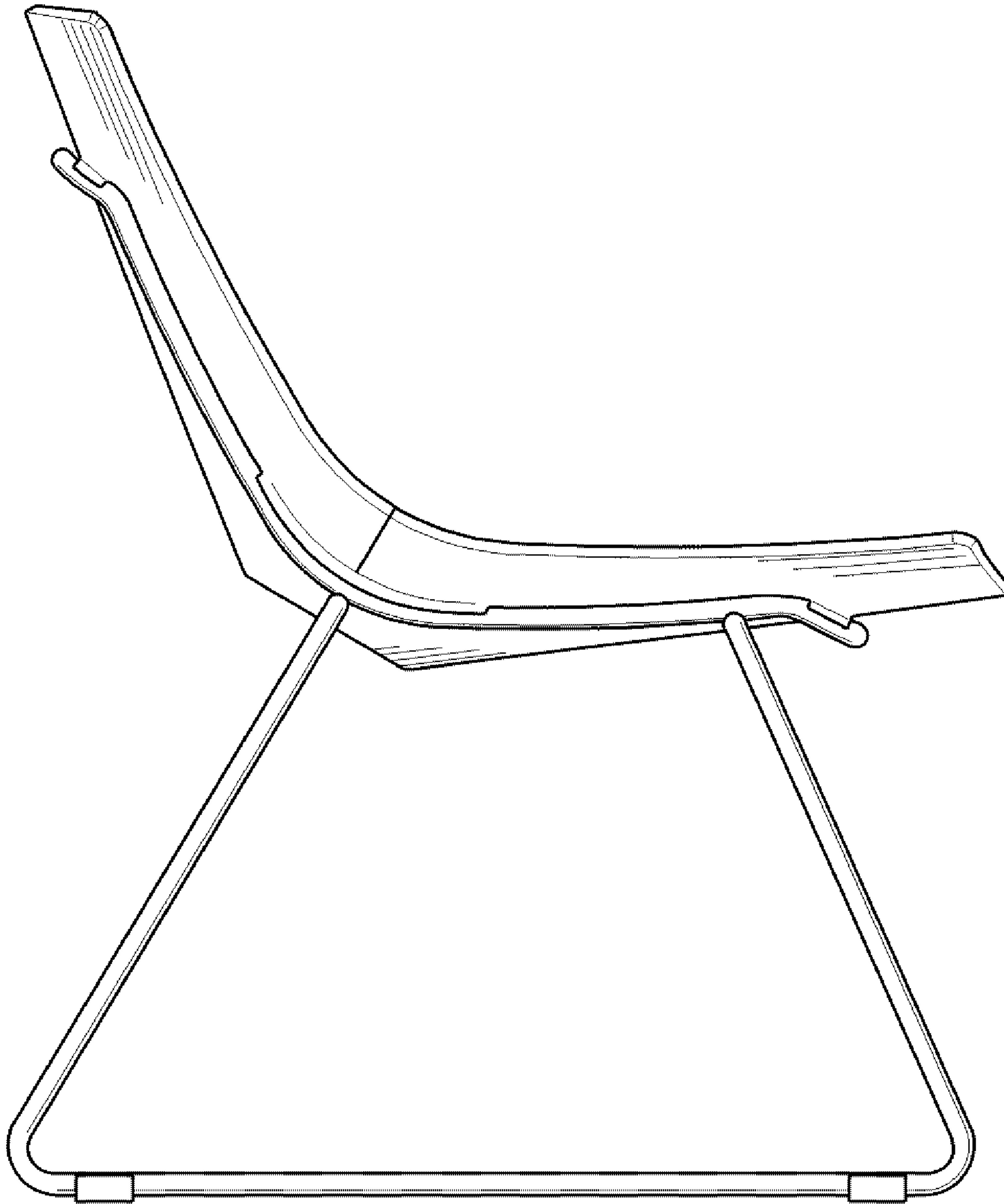


FIG. 3

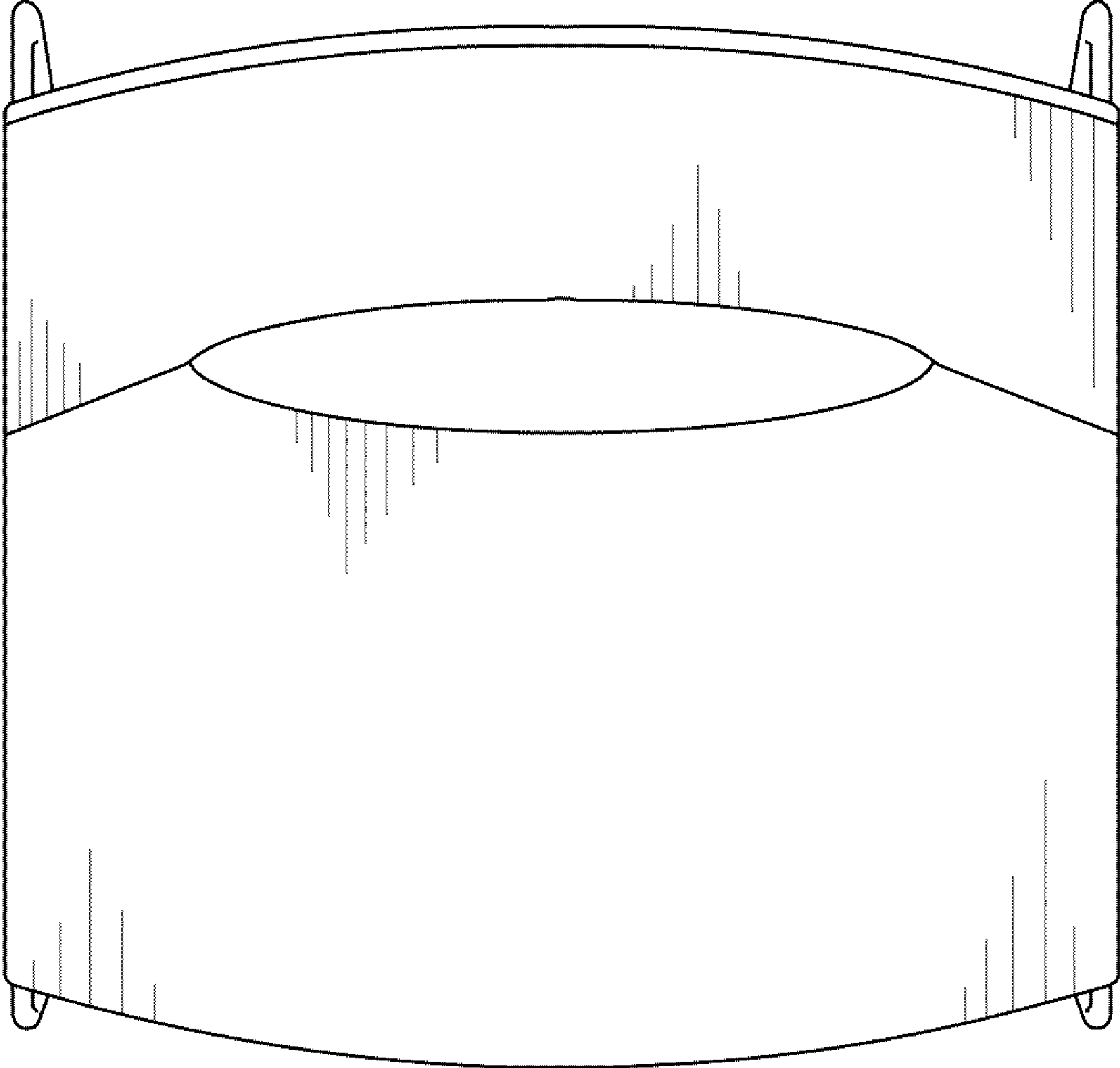


FIG. 4

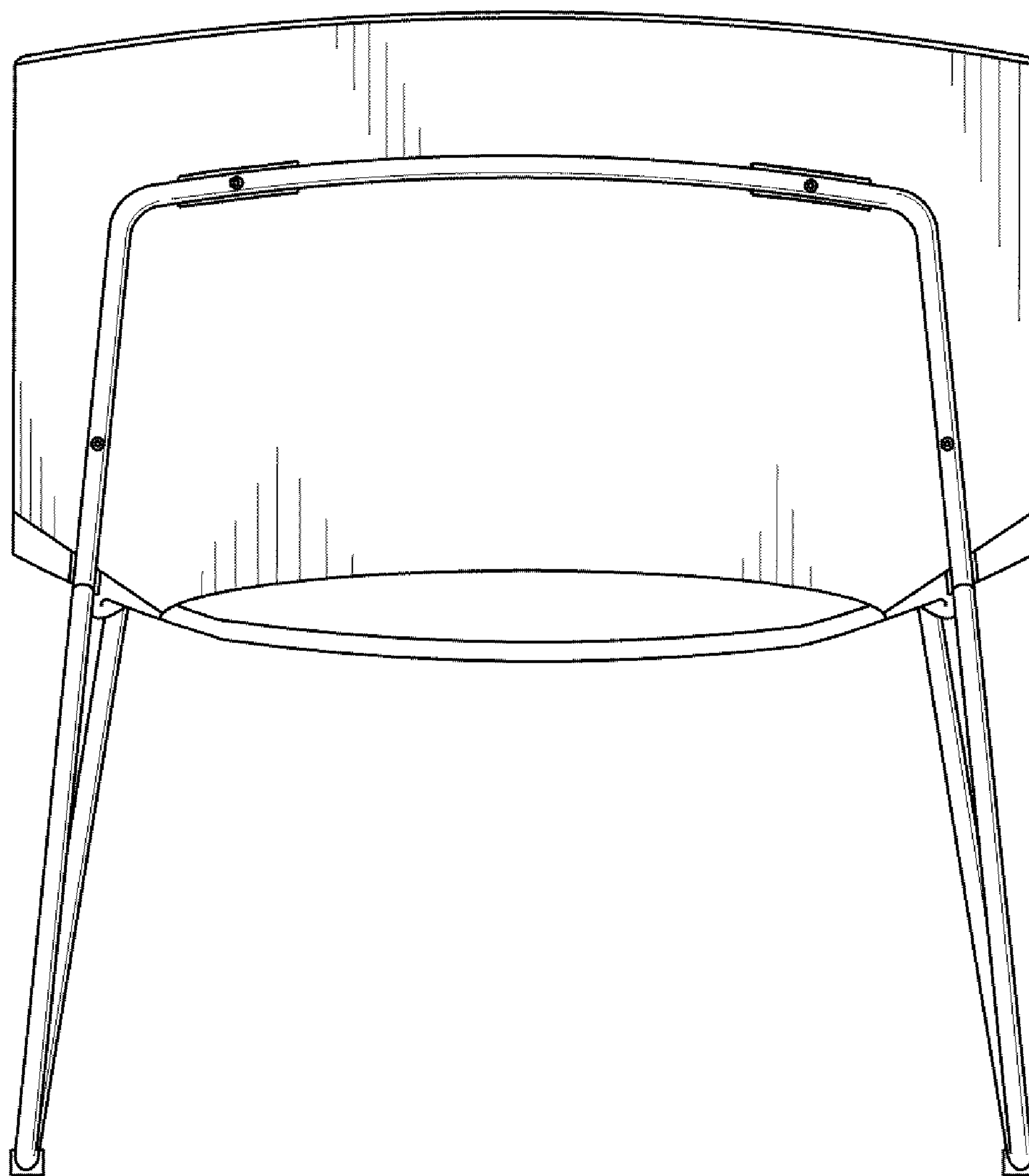


FIG. 5

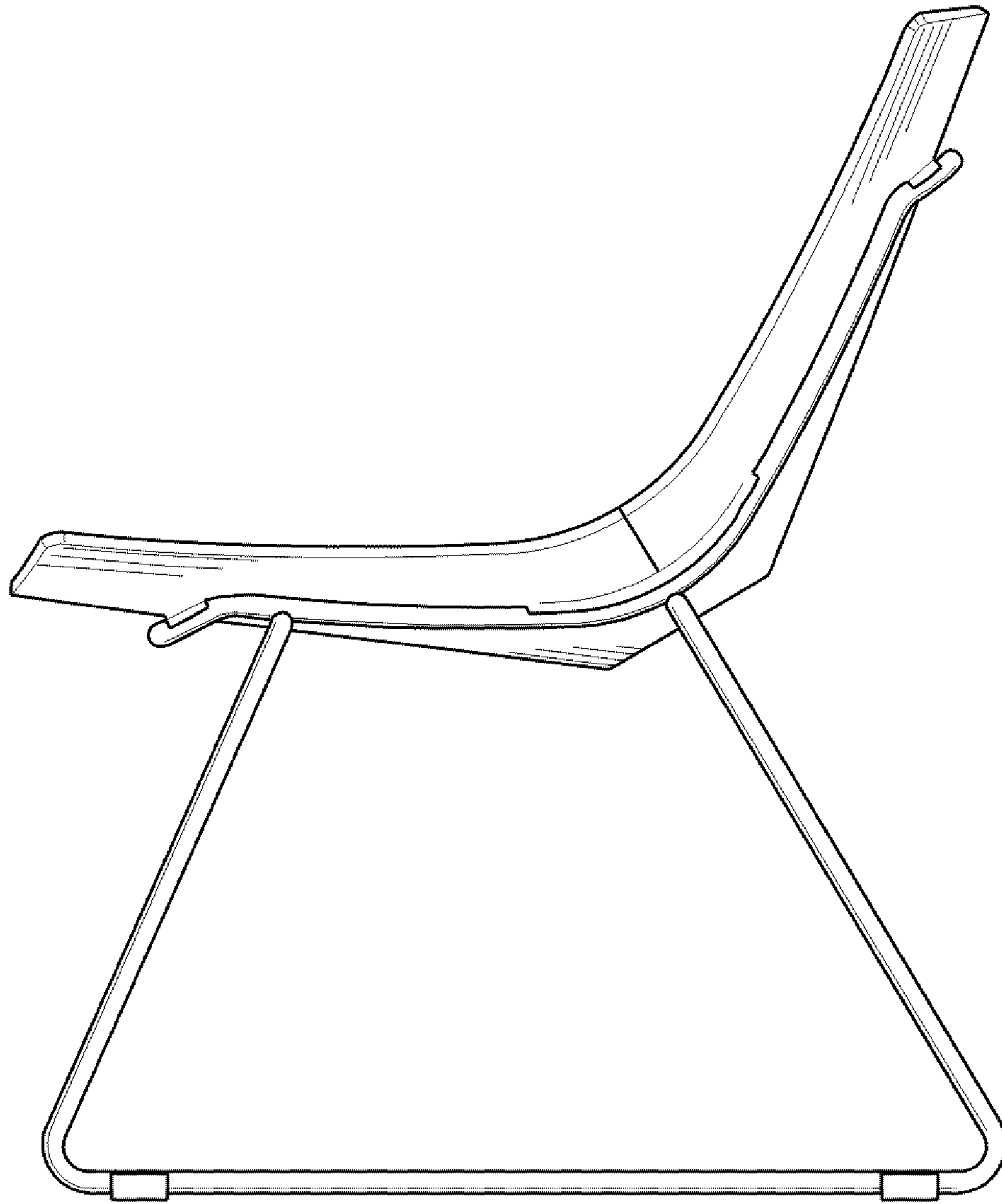


FIG. 6

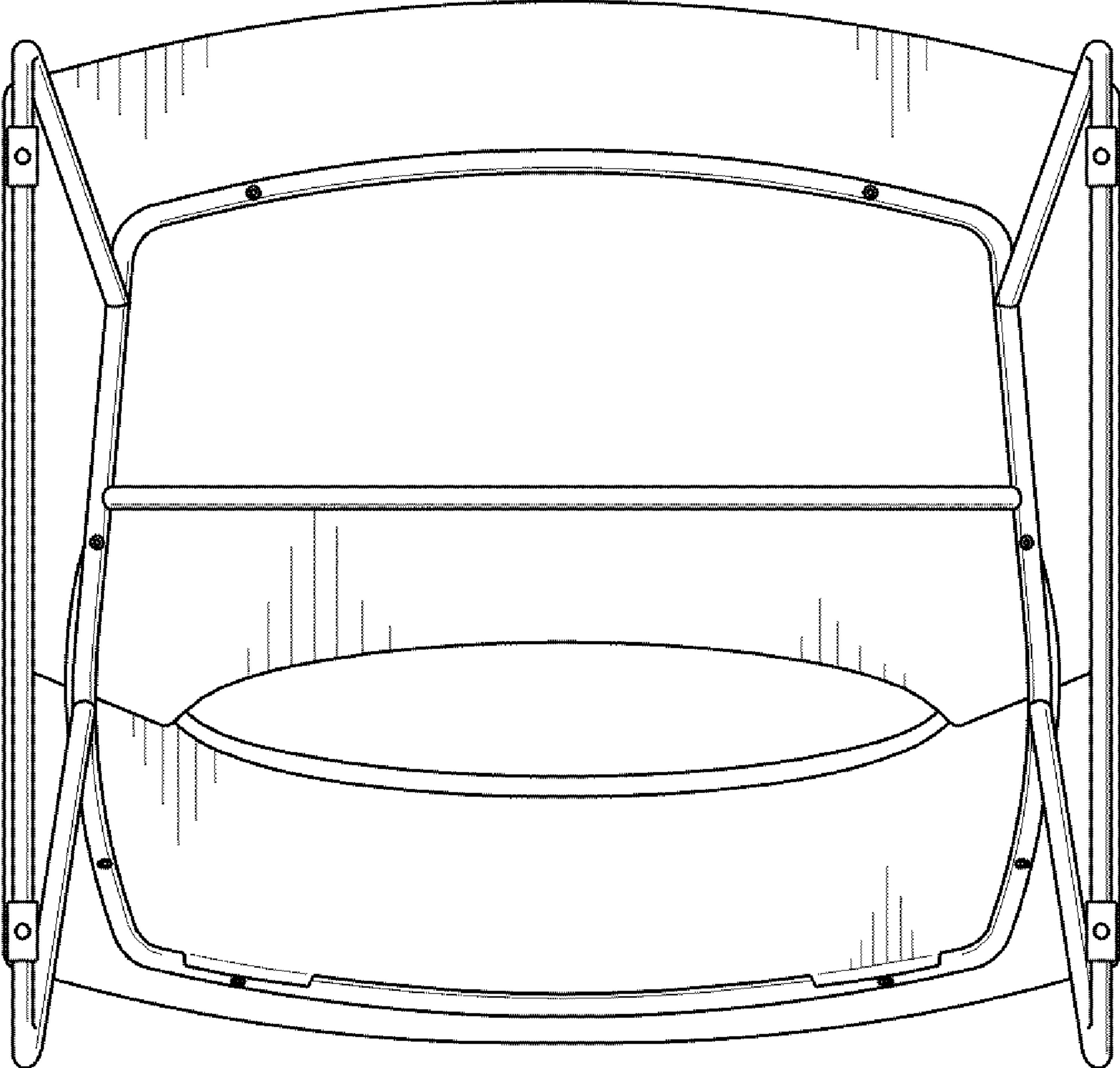


FIG. 7