



US00D600463S

(12) **United States Design Patent**
Ruiz Rubio

(10) **Patent No.:** **US D600,463 S**

(45) **Date of Patent:** **** Sep. 22, 2009**

(54) **CHAIR**

(75) Inventor: **Mario Ruiz Rubio**, Barcelona (ES)

(73) Assignee: **Estoli, S.A.**, Barcelona (ES)

(**) Term: **14 Years**

(21) Appl. No.: **29/231,709**

(22) Filed: **Jun. 9, 2005**

(30) **Foreign Application Priority Data**

Dec. 9, 2004 (EP) 000266291-0007

(51) **LOC (9) Cl.** **06-01**

(52) **U.S. Cl.** **D6/368**

(58) **Field of Classification Search** D6/334,
D6/335, 336, 362, 366-368, 374, 500-502;
297/4, 16.2, 46, 55, 183.5, 229, 250.1, 350,
297/352, 378.1, 380, 382, 445.1, 451.1, 452.11
See application file for complete search history.

(56) **References Cited**

U.S. PATENT DOCUMENTS

D225,817 S * 1/1973 Torrey D6/502
D264,401 S * 5/1982 Trotman et al. D6/502
D274,108 S * 6/1984 Trotman et al. D6/502
D294,319 S * 2/1988 Troup et al. D6/502
D295,476 S * 5/1988 Halpain D6/502

D333,737 S * 3/1993 Adams D6/368
D360,786 S * 8/1995 Zapf D6/500
D391,423 S * 3/1998 Leib D6/500
D432,823 S * 10/2000 Zheng D6/500

* cited by examiner

Primary Examiner—Caron Veynar

Assistant Examiner—Abraham Bahta

(74) *Attorney, Agent, or Firm*—Pearl Cohen Zedek Latzer,
LLP

(57) **CLAIM**

The ornamental design for a chair, as shown and described

DESCRIPTION

FIG. 1 is a front elevational view of the chair;

FIG. 2 is a left side elevational view of the chair, the opposite
side view being identical;

FIG. 3 is a top, front, right side perspective view of the chair;

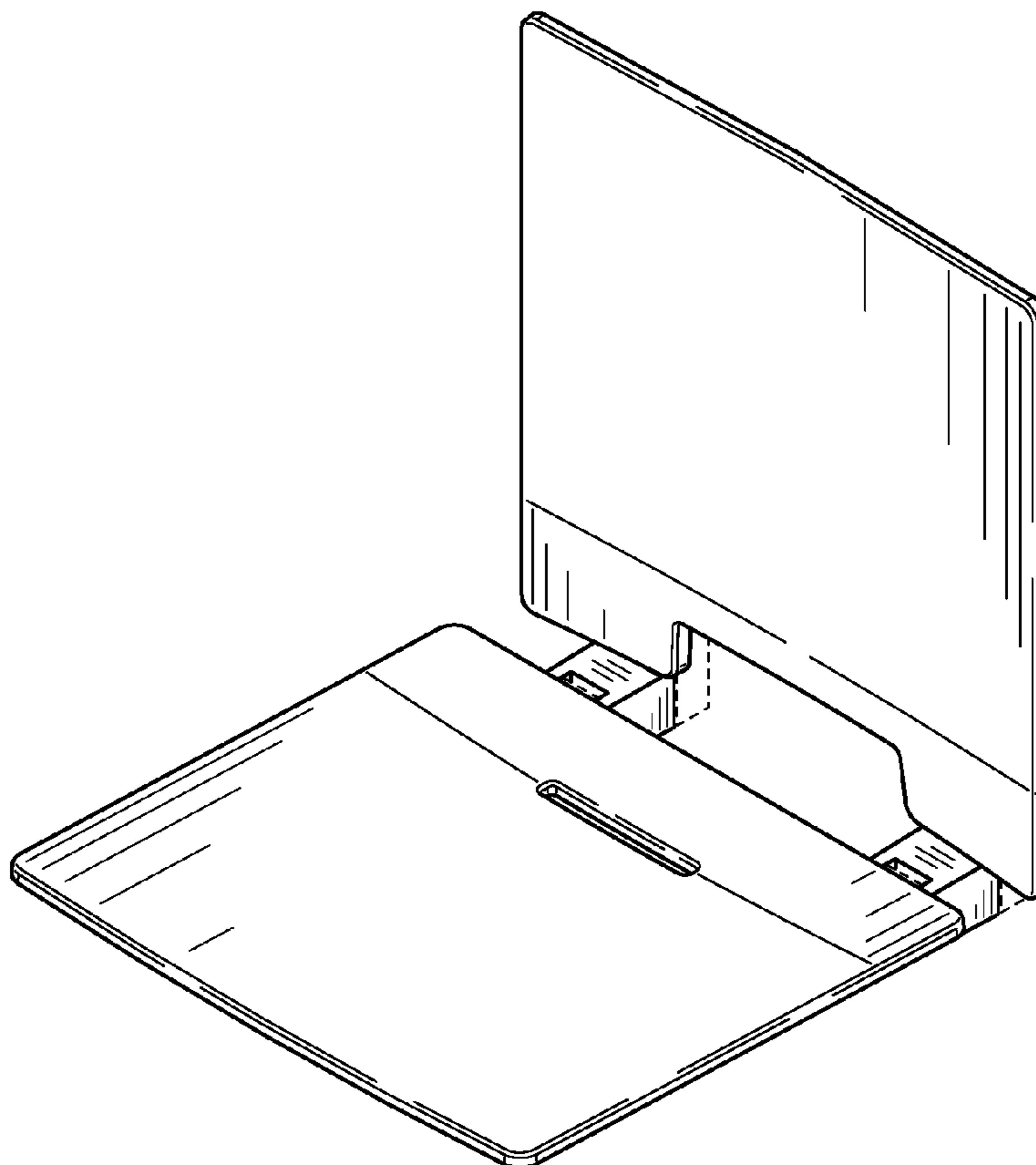
FIG. 4 is a top plan view of the chair;

FIG. 5 is a back elevational view of the chair; and,

FIG. 6 is a bottom plan view of the chair.

The broken line illustrations in FIGS. 5 and 6 show environ-
mental structure and are not part of the design sought to be
patented.

1 Claim, 3 Drawing Sheets



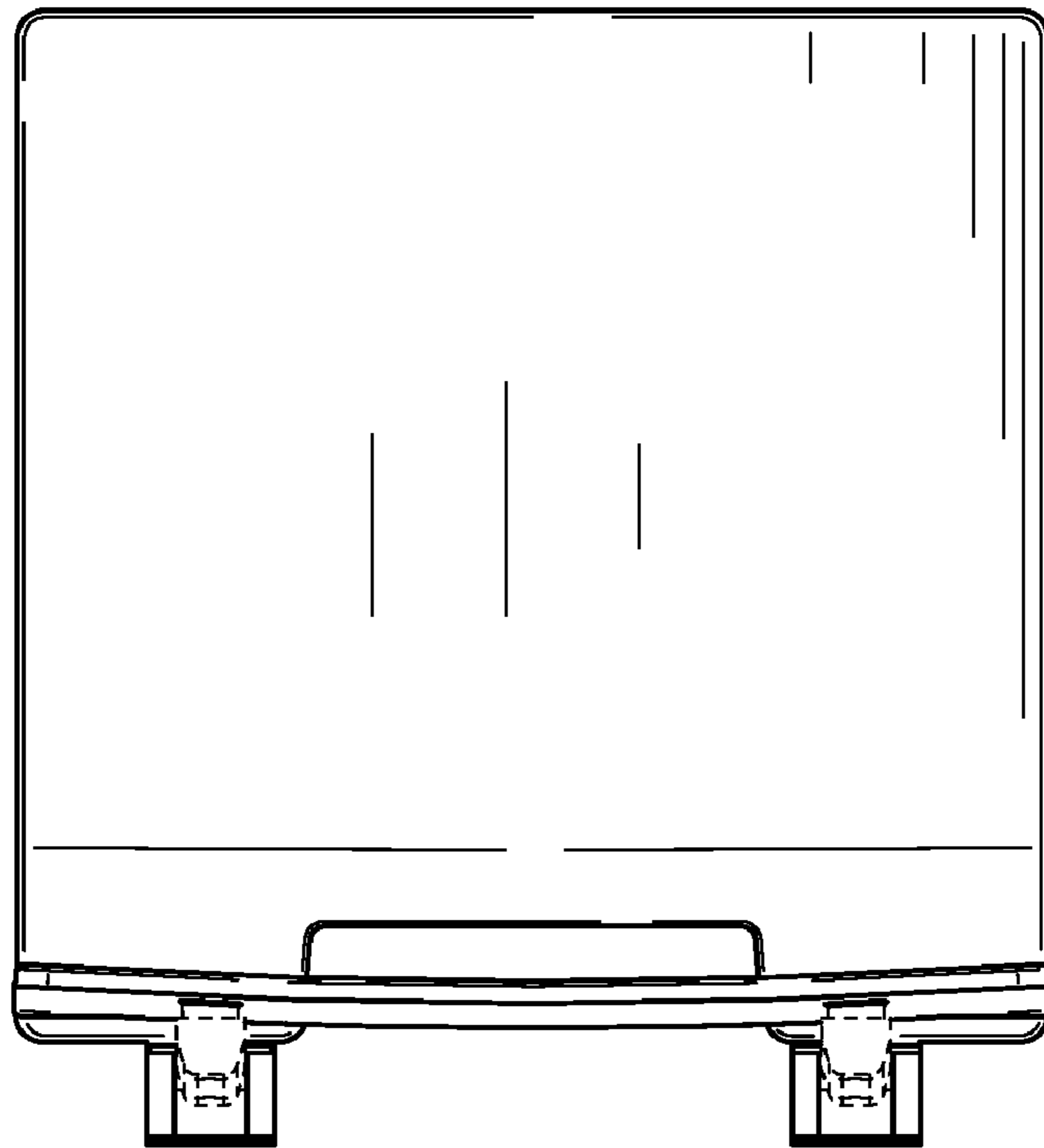


FIG. 1

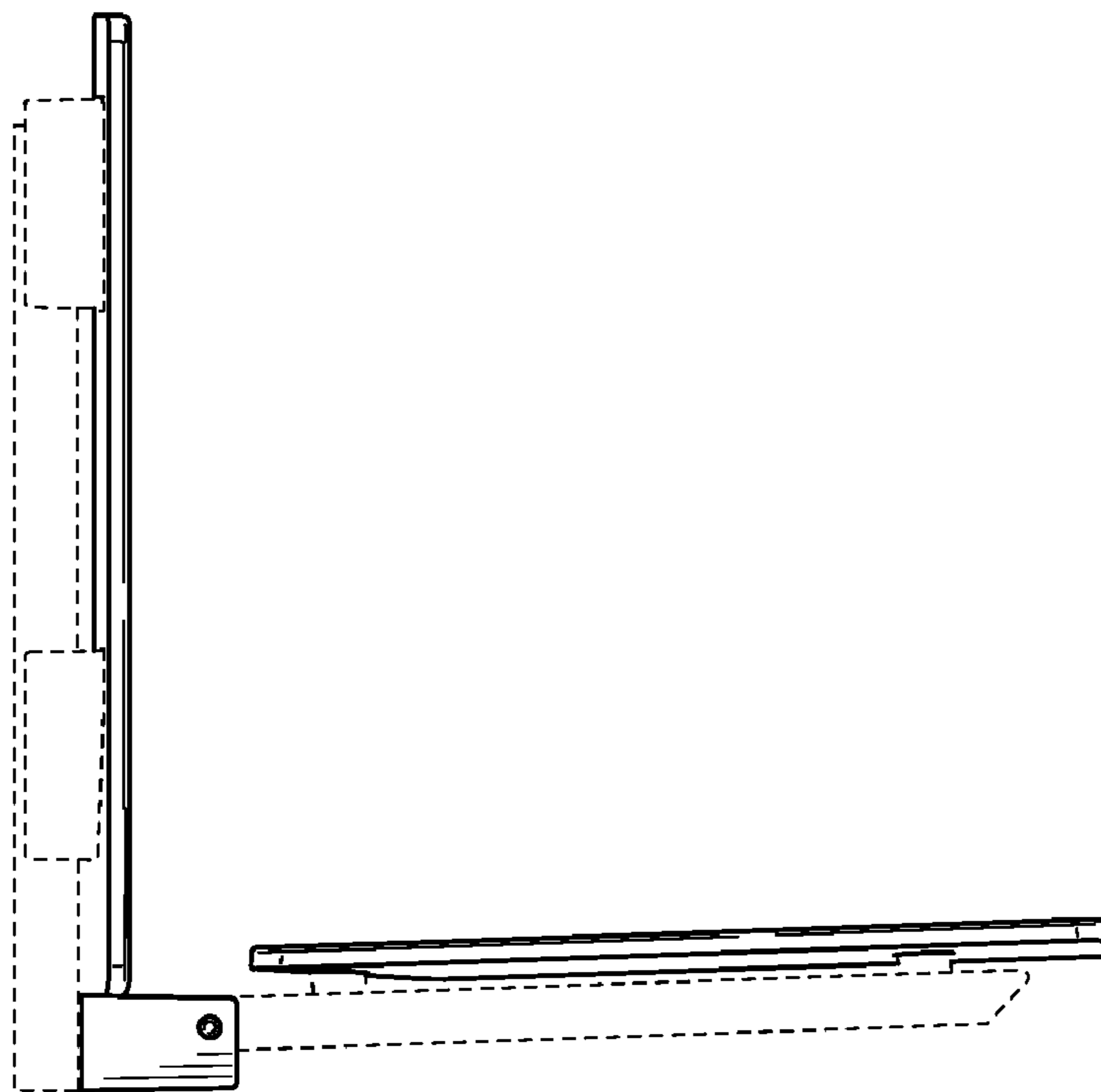


FIG. 2

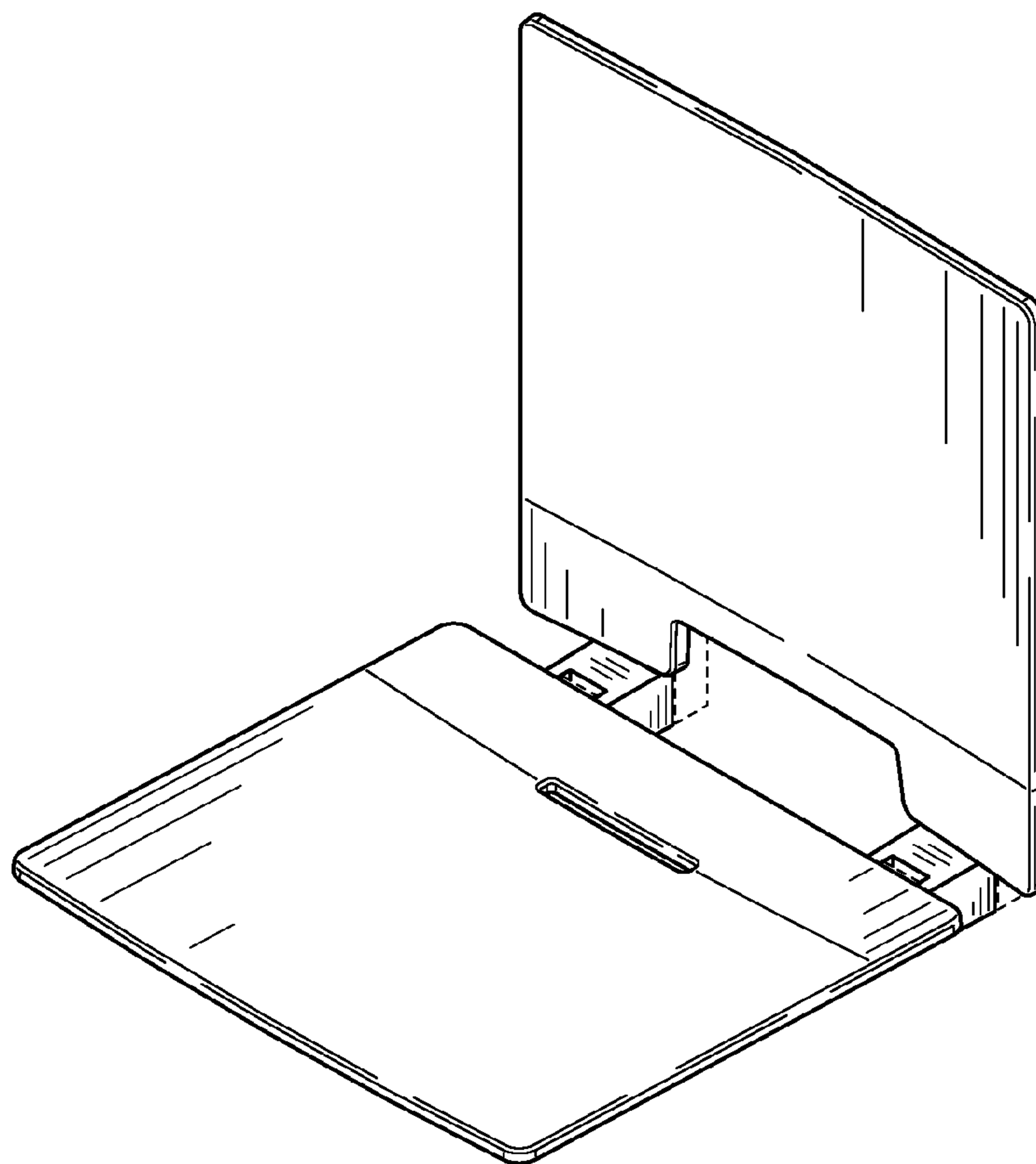


FIG. 3

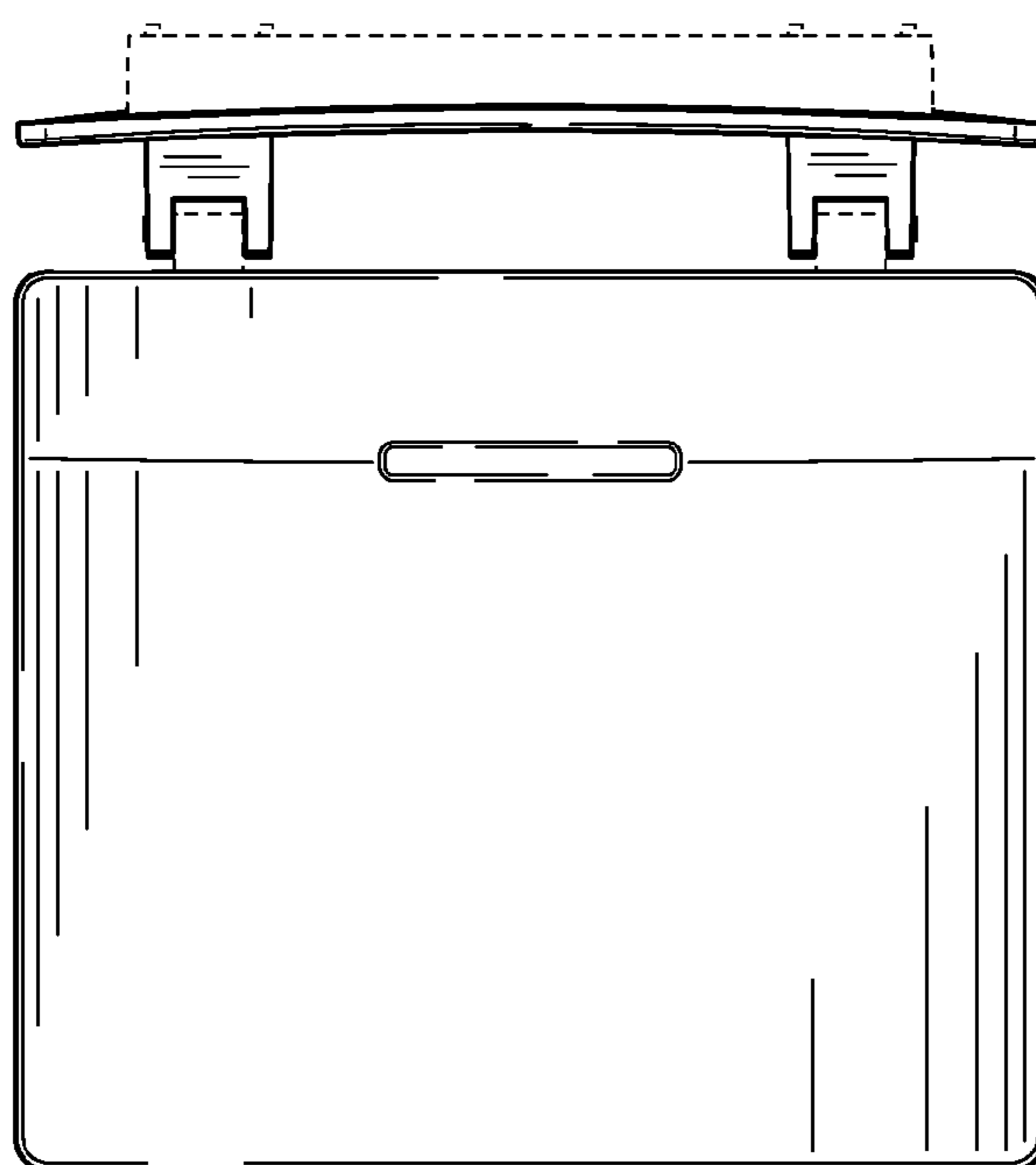


FIG. 4

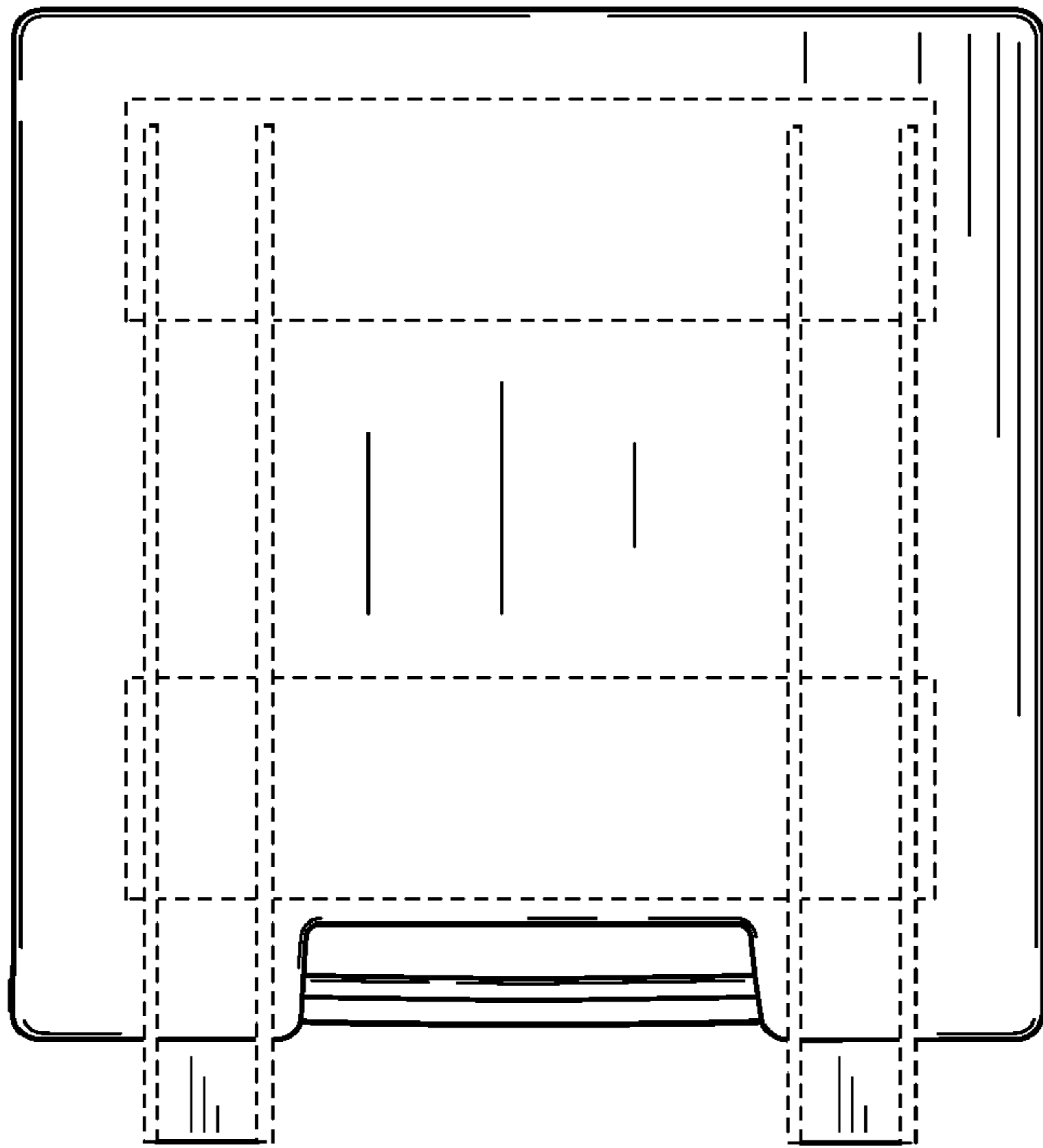


FIG. 5

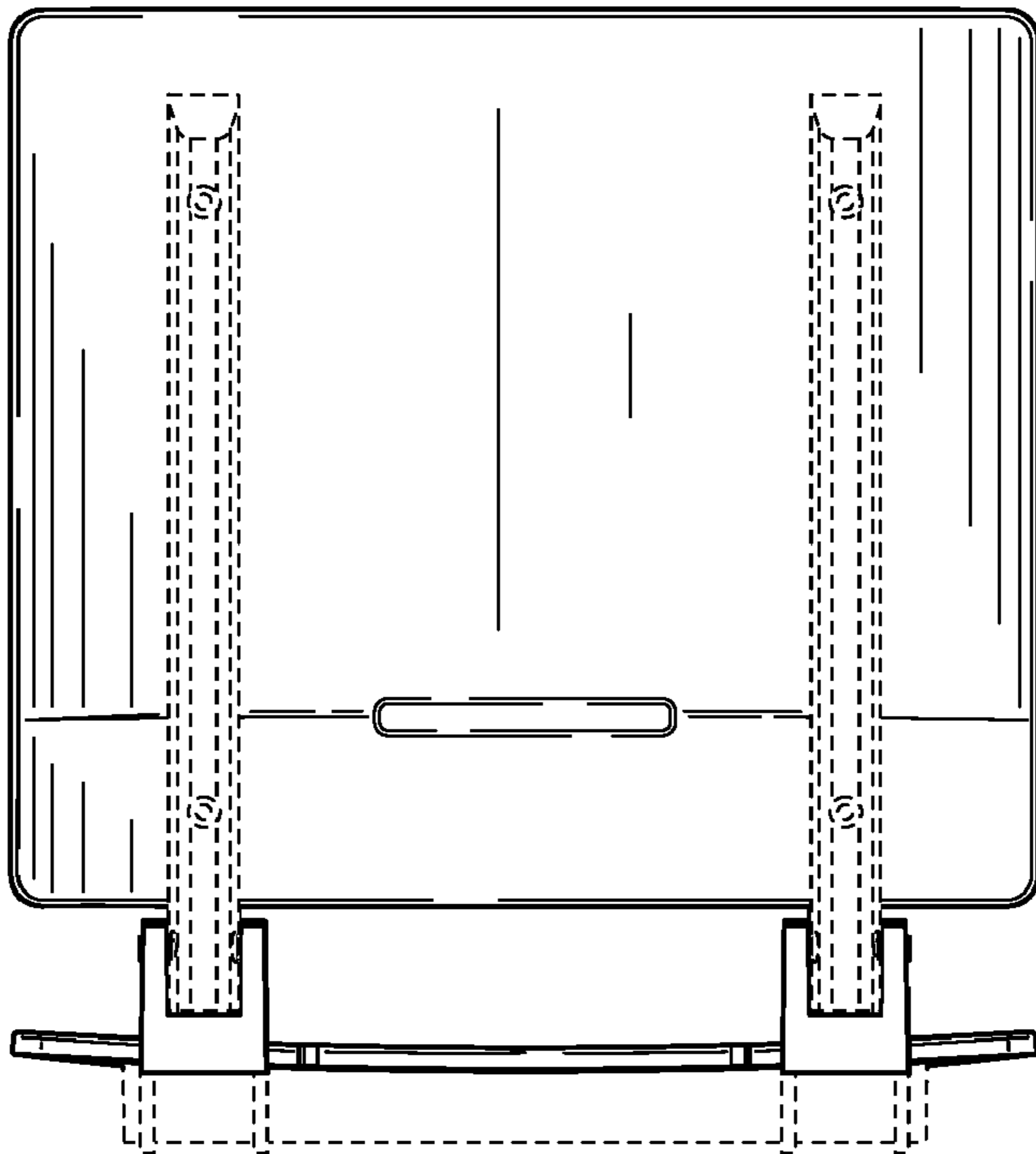


FIG. 6