



(12) **United States Design Patent**
Ooki et al.

(10) **Patent No.:** **US D600,462 S**
(45) **Date of Patent:** **** Sep. 22, 2009**

(54) **CHAIR**

(75) Inventors: **Kazutaka Ooki**, Osaka (JP); **Masayoshi Suzuki**, Osaka (JP)

(73) Assignee: **Kokuyo Co., Ltd.**, Osaka (JP)

(**) Term: **14 Years**

(21) Appl. No.: **29/333,704**

(22) Filed: **Mar. 13, 2009**

(30) **Foreign Application Priority Data**

Sep. 16, 2008 (JP) 2008-023689

(51) **LOC (9) Cl.** **06-01**

(52) **U.S. Cl.** **D6/366**

(58) **Field of Classification Search** D6/334-336,
D6/364, 365, 366, 367, 369, 379, 380, 498,
D6/500-502; 297/284.4, 300.2, 411.27,
297/452.13, 452.21, 452.29, 452.3, 452.46,
297/452.56, 452.64

See application file for complete search history.

(56) **References Cited**

U.S. PATENT DOCUMENTS

D456,625 S * 5/2002 Frenkler et al. D6/366
D481,879 S * 11/2003 Su D6/366
D489,541 S * 5/2004 Su D6/366
D548,994 S * 8/2007 Mao et al. D6/366
D549,977 S * 9/2007 Koepke et al. D6/366
D557,915 S * 12/2007 Ong D6/366

D557,917 S * 12/2007 Nakamura et al. D6/366
D559,571 S * 1/2008 Meda D6/366
D571,568 S * 6/2008 Overthun et al. D6/366
D572,948 S * 7/2008 Wakasugi et al. D6/500
D576,813 S * 9/2008 Baldanzi et al. D6/366
D579,223 S * 10/2008 Greutmann D6/366
D579,695 S * 11/2008 Wu D6/500

* cited by examiner

Primary Examiner—Mimosa De

(74) *Attorney, Agent, or Firm*—Dennis R. Haszko; Eaton Peabody Patent Group, LLC

(57) **CLAIM**

The ornamental design for a chair, as shown and described.

DESCRIPTION

FIG. 1 is a front perspective view of a chair showing our new design;

FIG. 2 is a rear perspective view thereof;

FIG. 3 is a front view thereof;

FIG. 4 is a rear view thereof;

FIG. 5 is a top view thereof;

FIG. 6 is a bottom view thereof;

FIG. 7 is a right side view thereof;

FIG. 8 is a left side view thereof; and,

FIG. 9 is an enlarged sectional view thereof taken along section line A—A in FIG. 3, in which a portion of the chair is not shown in order to provide the enlarged view.

1 Claim, 9 Drawing Sheets

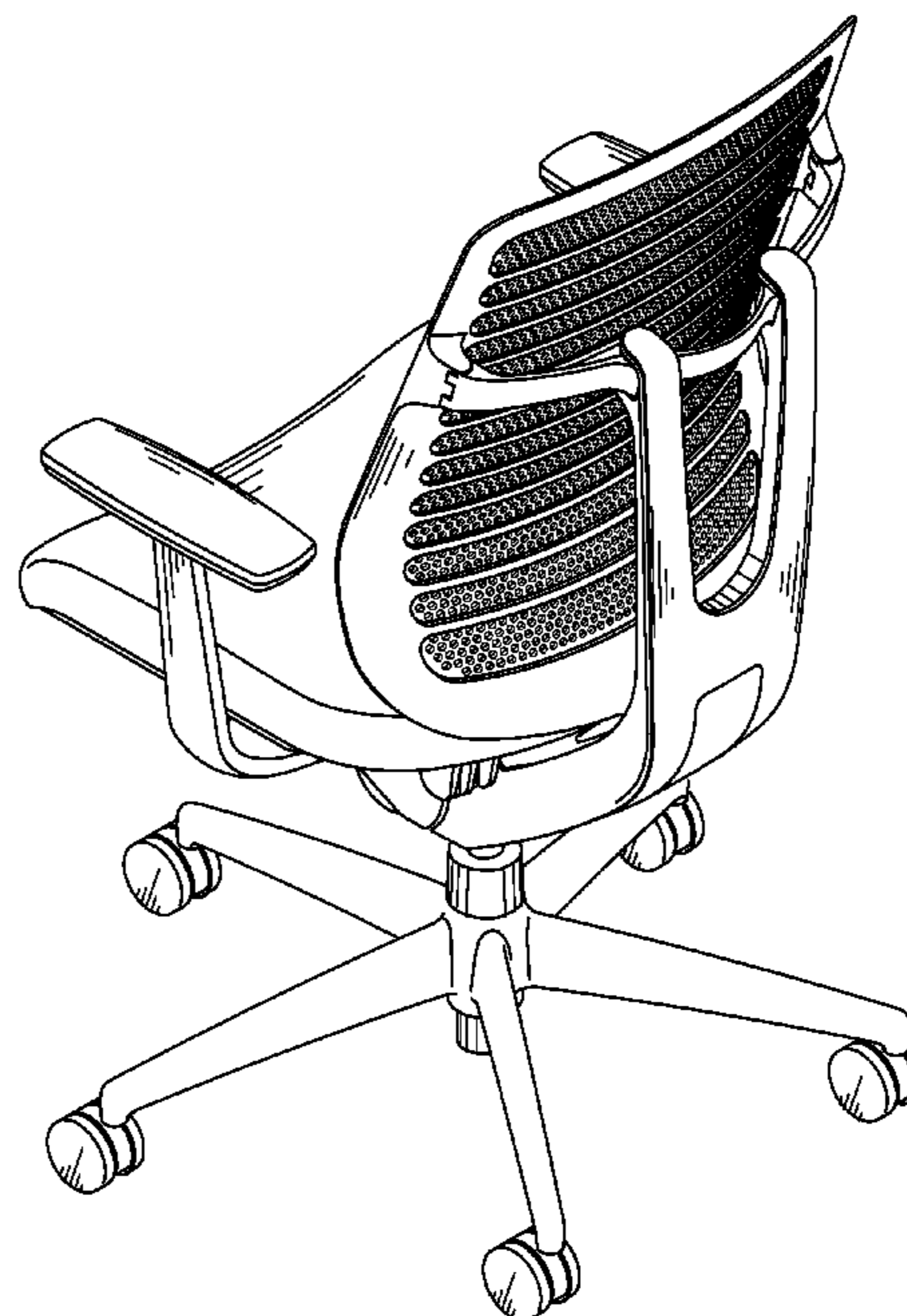




FIG.1

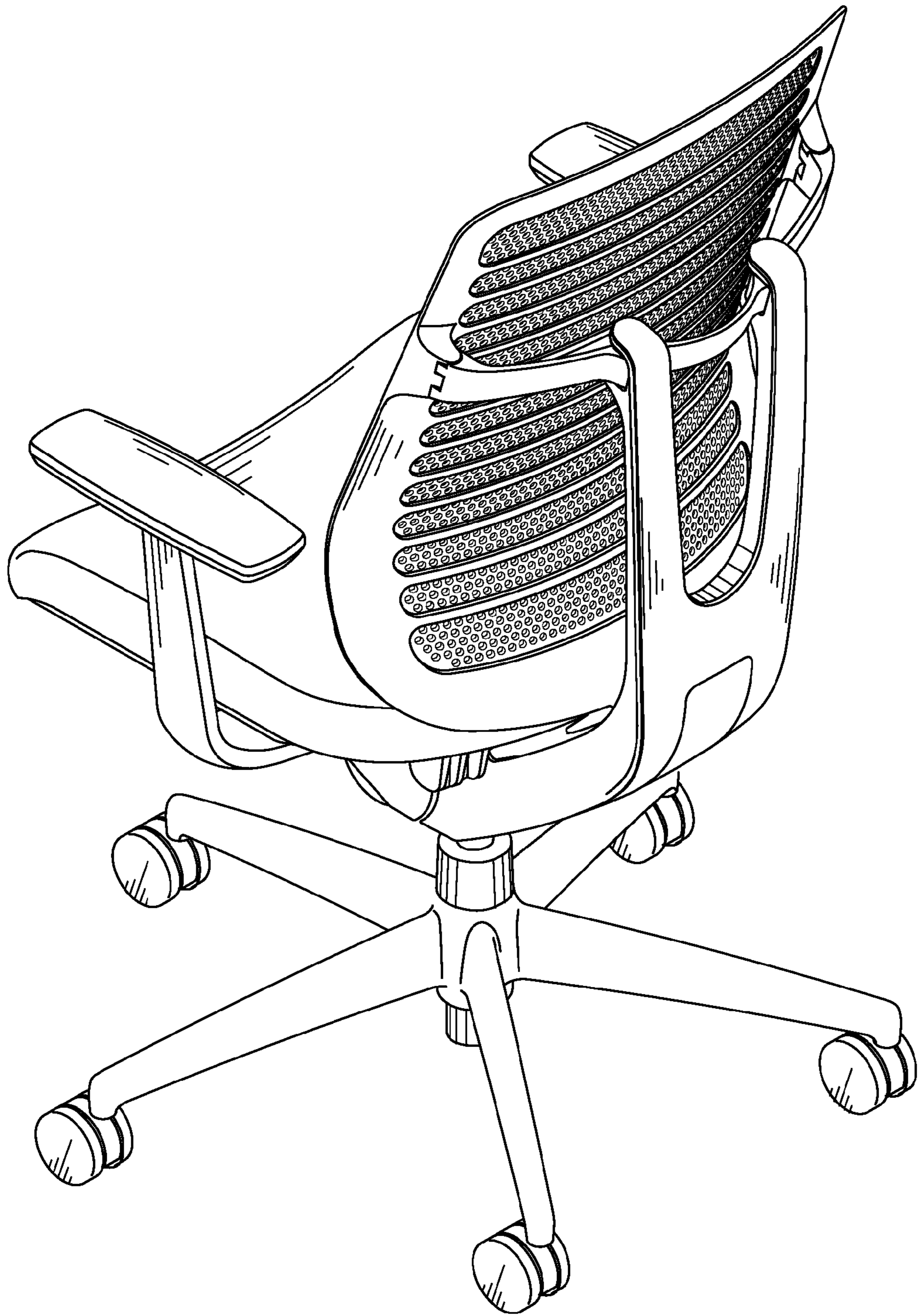


FIG.2

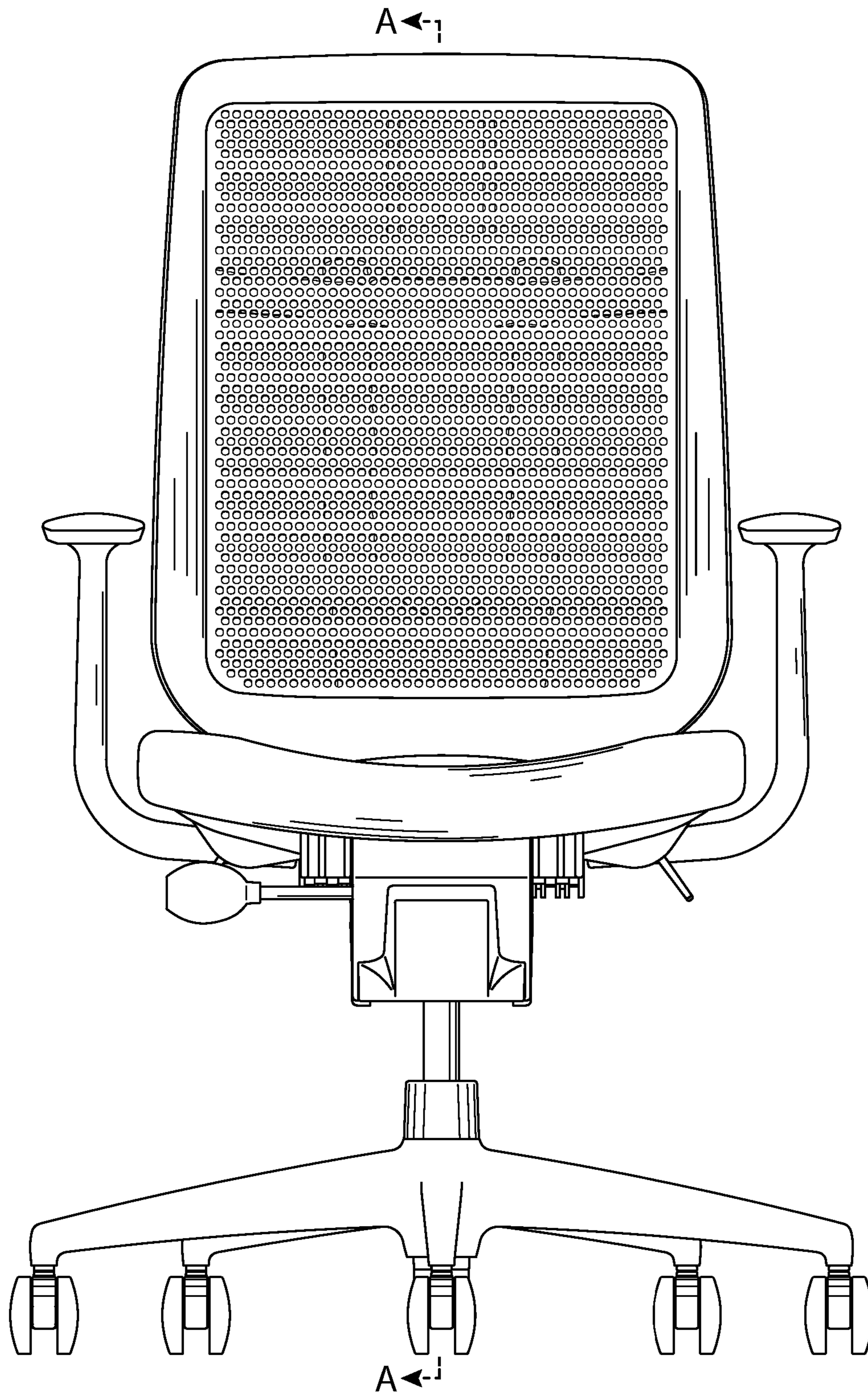


FIG.3

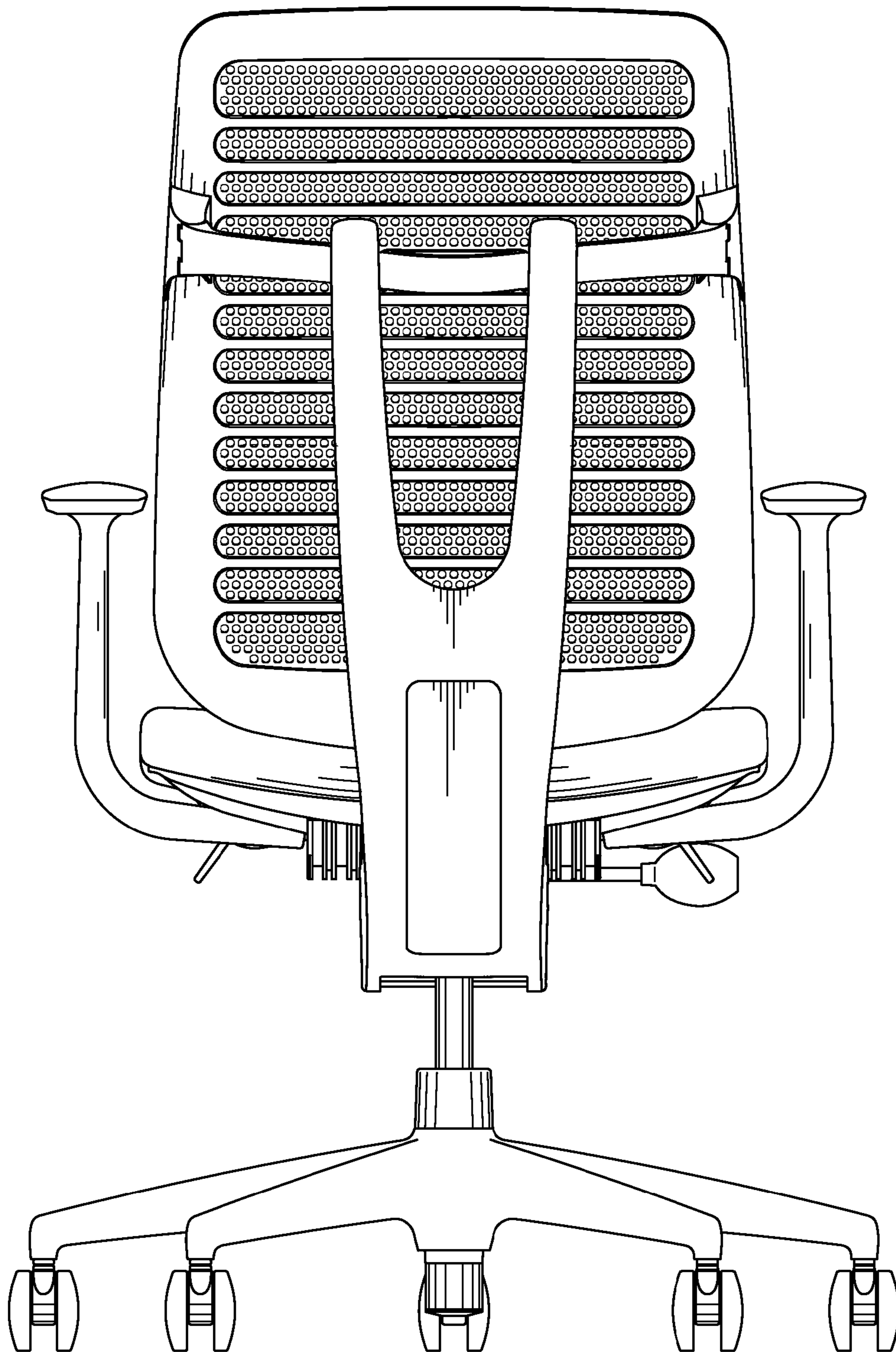


FIG.4

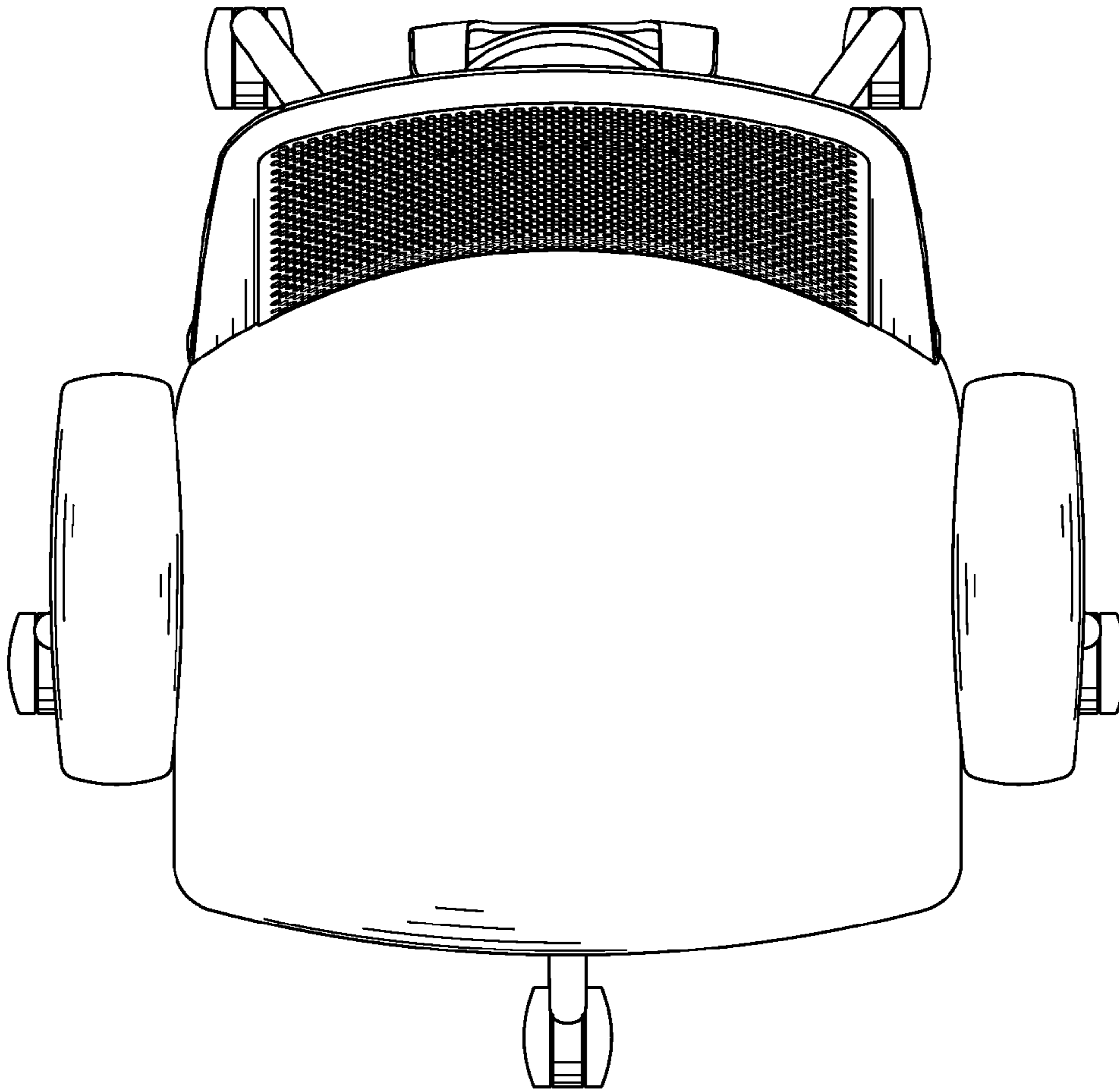


FIG.5

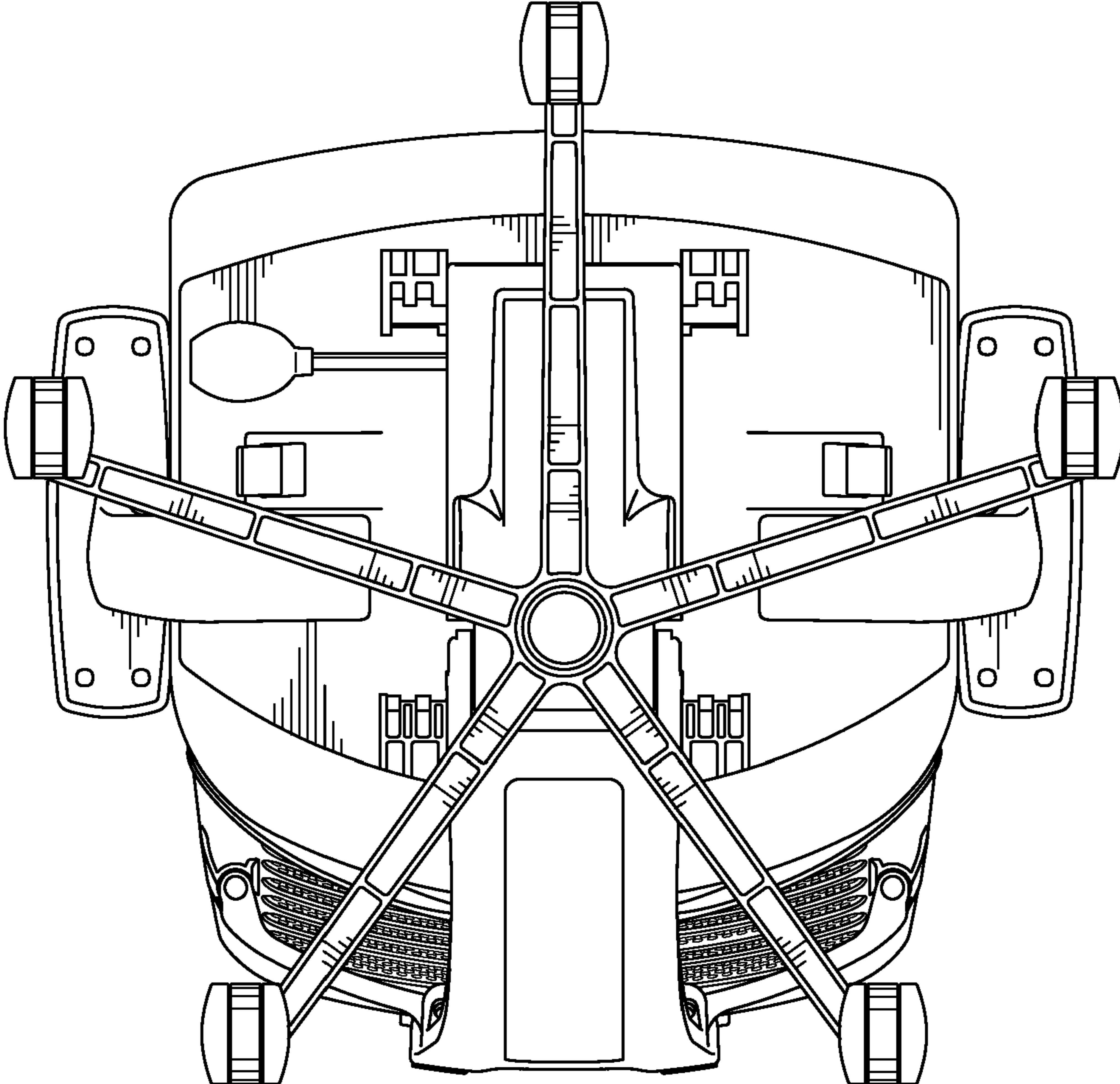


FIG.6

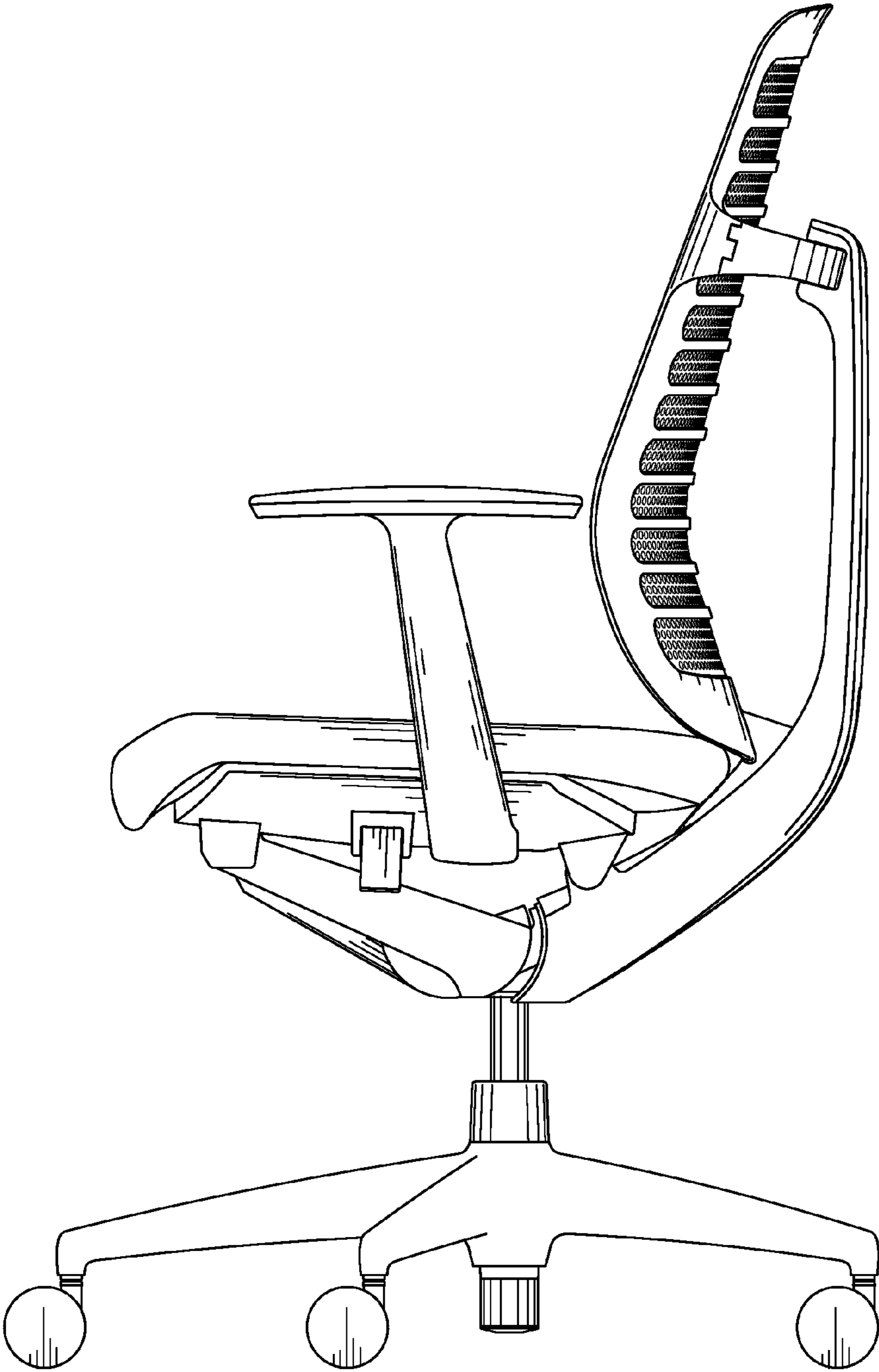


FIG.7

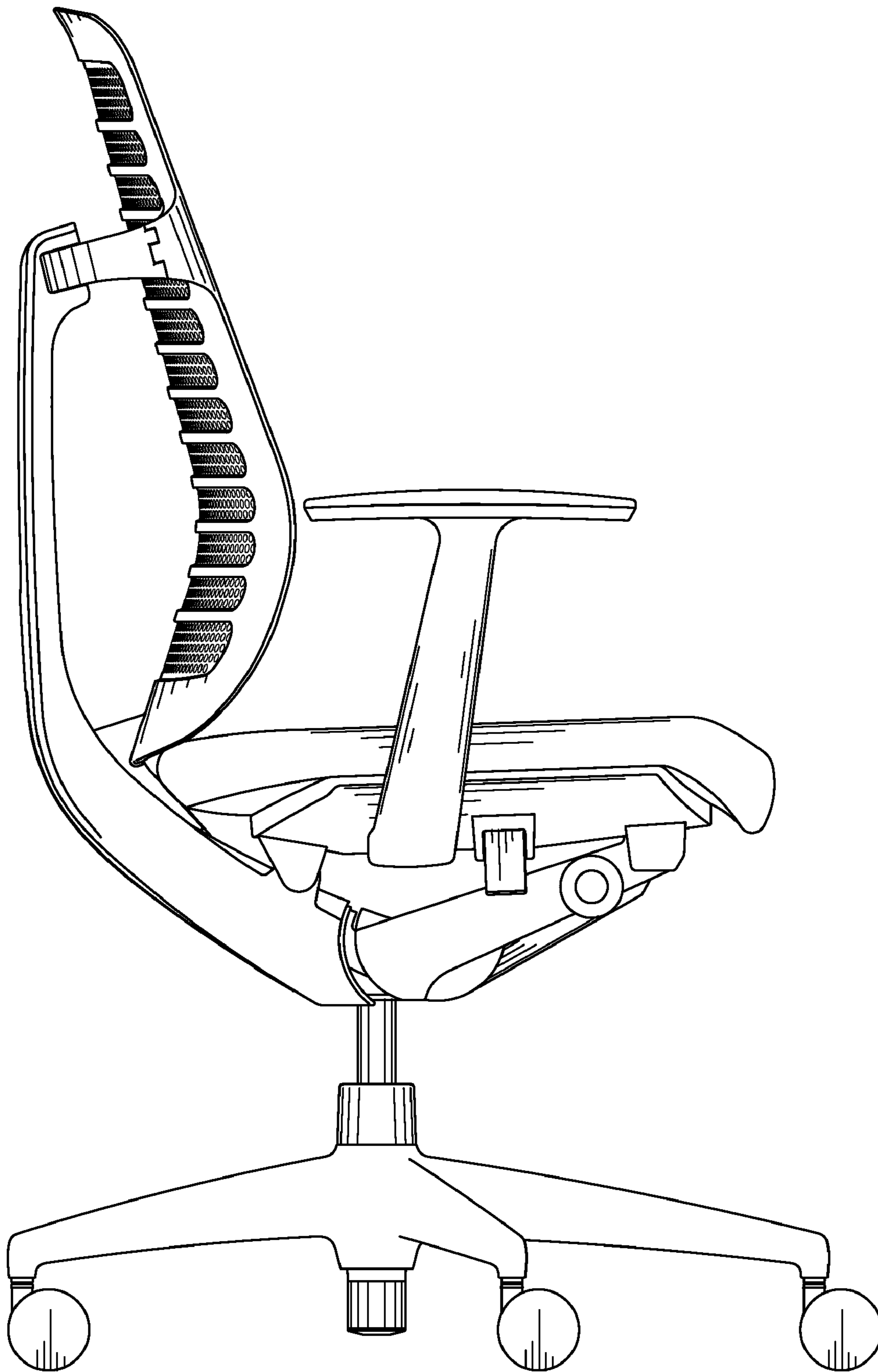


FIG.8

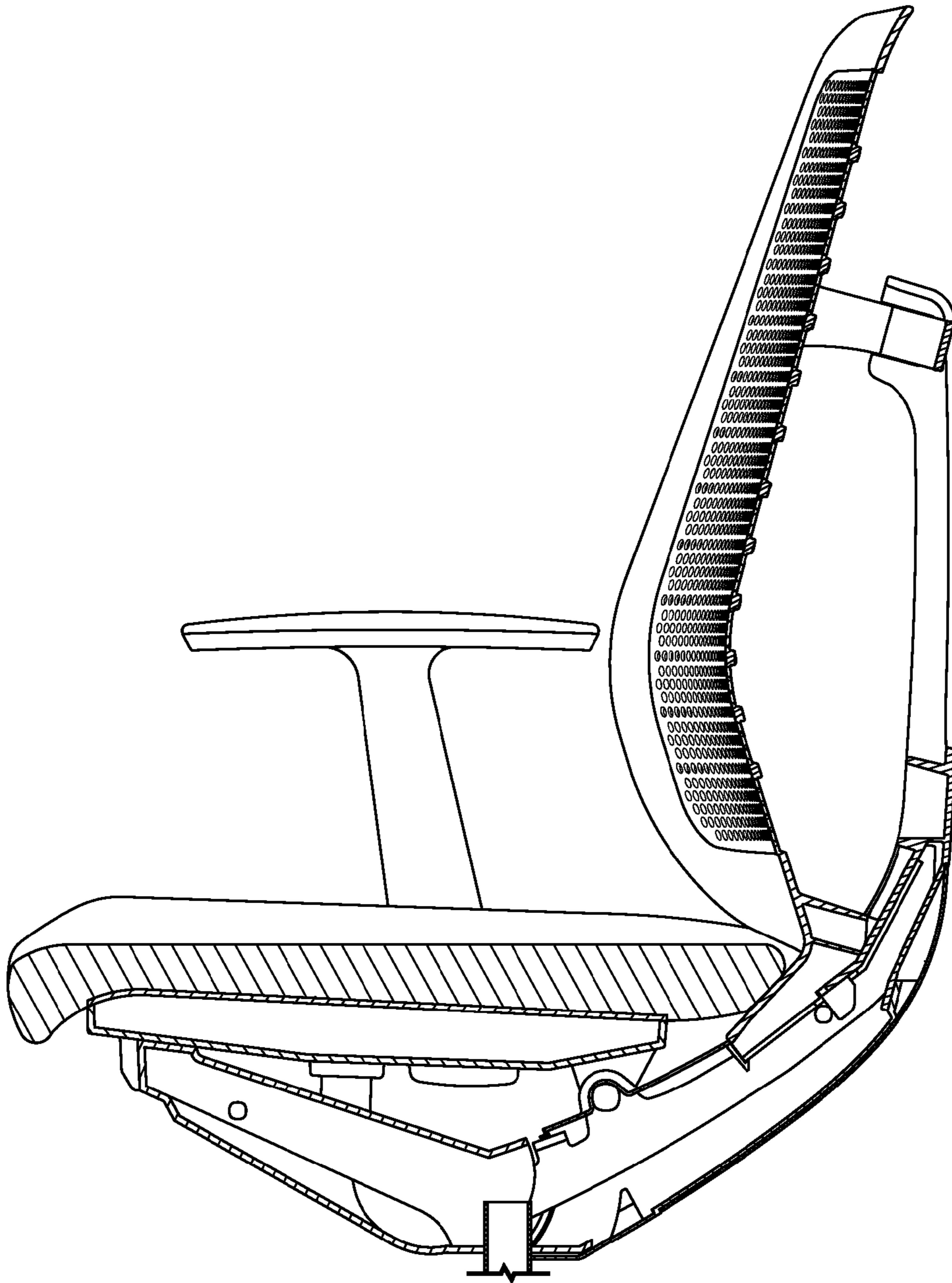


FIG.9