



US00D600460S

(12) **United States Design Patent**
Schwartz et al.

(10) **Patent No.:** **US D600,460 S**

(45) **Date of Patent:** **** Sep. 22, 2009**

(54) **BENCH**

D590,610 S * 4/2009 Pappas D6/355

(75) Inventors: **Elisabeth Schwartz**, Munich (DE);
Michael Waldron, Munich (DE); **Sonja Schiefer**, Munich (DE)

* cited by examiner

Primary Examiner—Mimosa De

(73) Assignee: **Landscape Forms, Inc.**, Kalamazoo, MI (US)

(74) *Attorney, Agent, or Firm*—Heslin Rothenberg Farley & Mesiti P.C.

(**) Term: **14 Years**

(57) **CLAIM**

(21) Appl. No.: **29/335,530**

The ornamental design for a bench, as shown and described.

(22) Filed: **Apr. 17, 2009**

DESCRIPTION

(51) **LOC (9) Cl.** **06-01**

This application is related to commonly assigned, concurrently filed U.S. applications Ser. No. 29/335,531 and U.S. application Ser. No. 29/335,532.

(52) **U.S. Cl.** **D6/355**

(58) **Field of Classification Search** D6/334–336,
D6/349, 355, 370, 374, 376, 379, 380, 381,
D6/500–502; 297/232, 445.1, 446.1, 448.1,
297/452.12, 452.63

FIG. 1 is an isometric view of the bench of the present design; FIG. 2 is a front elevation view thereof, the rear elevation view being identical thereto;

See application file for complete search history.

FIG. 3 is a right side elevation view thereof, the left side elevation view being identical thereto; and,

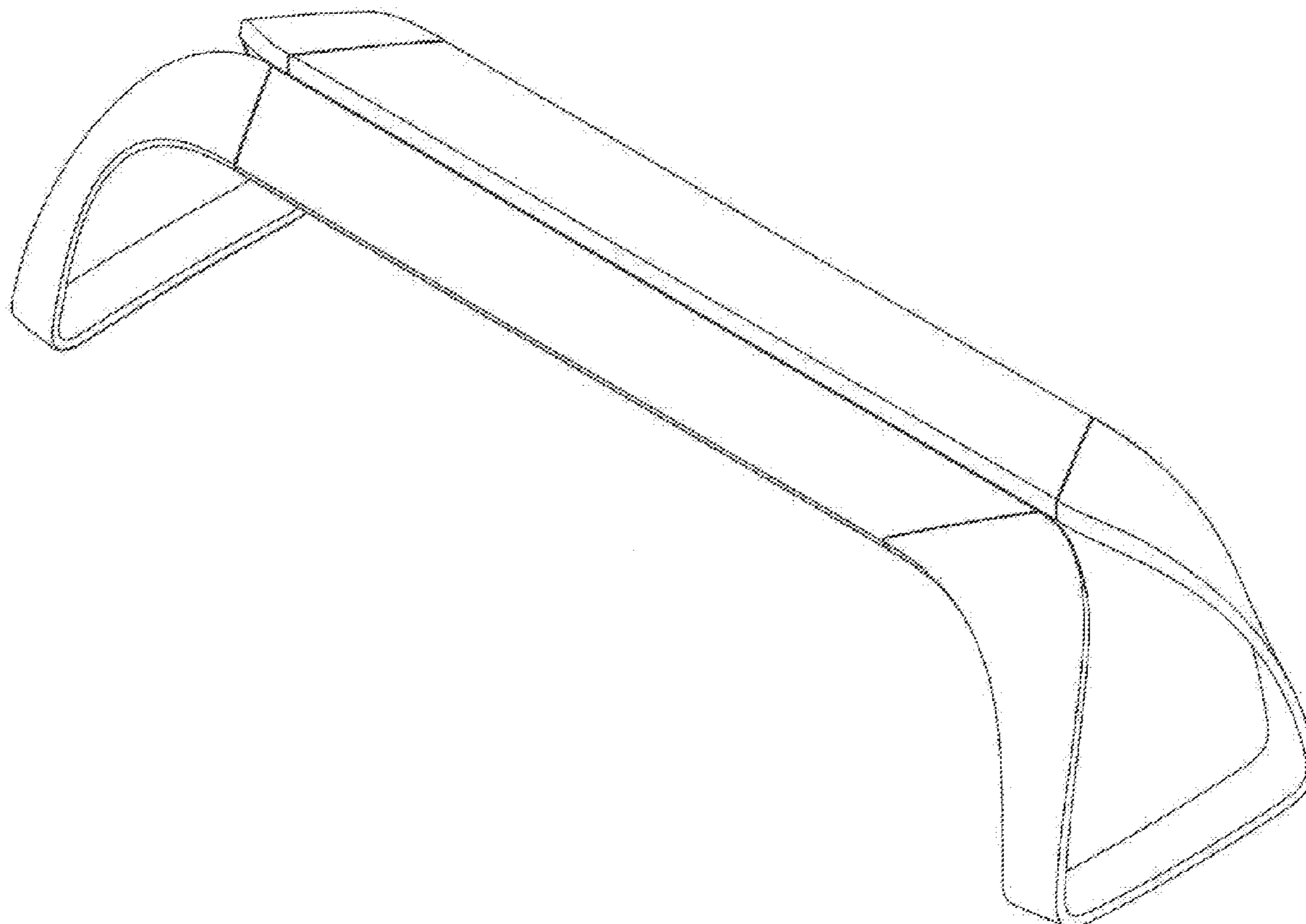
(56) **References Cited**

FIG. 4 is a top plan view thereof.

U.S. PATENT DOCUMENTS

D303,877 S * 10/1989 Norton D6/349

1 Claim, 4 Drawing Sheets



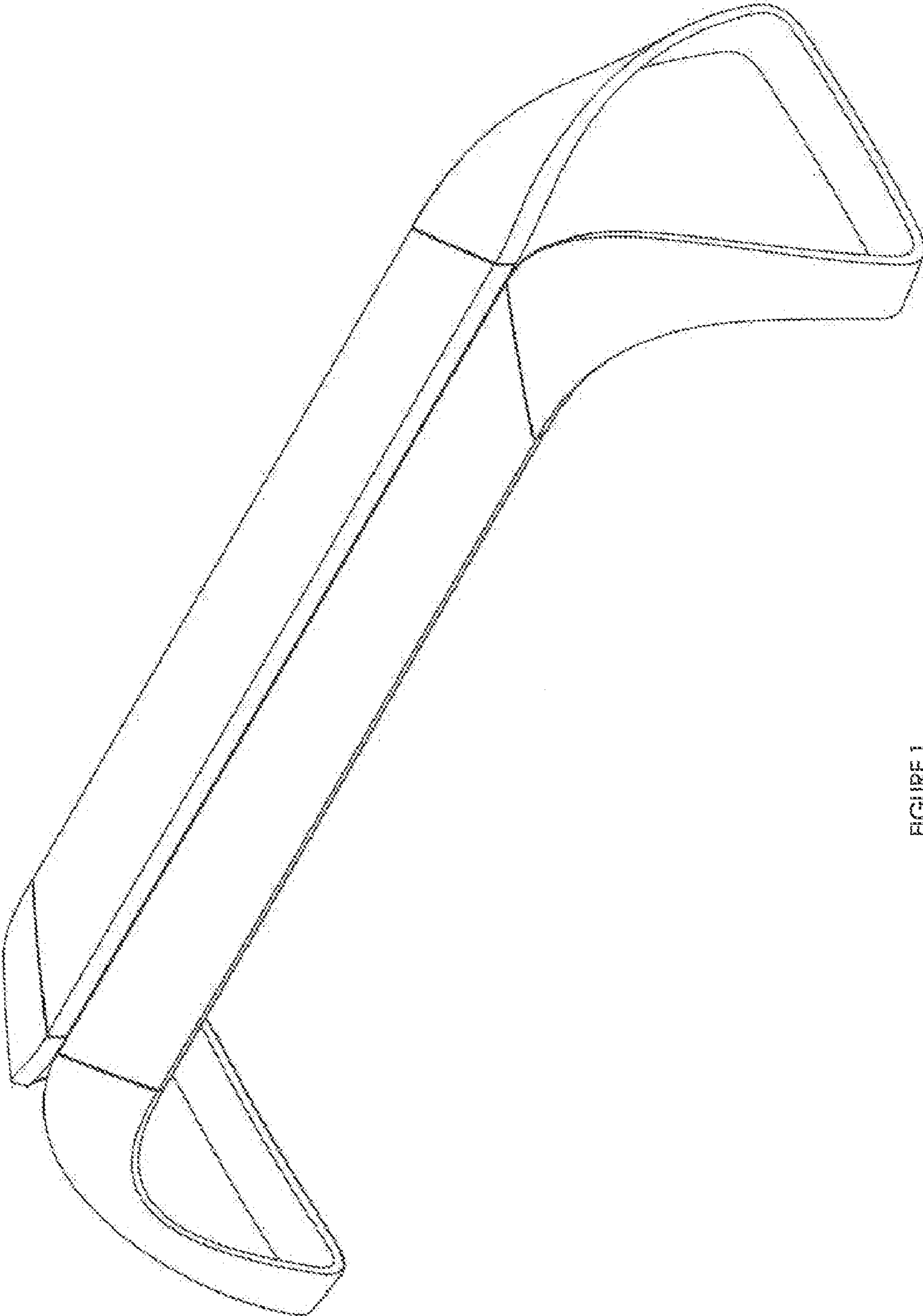


FIGURE 1

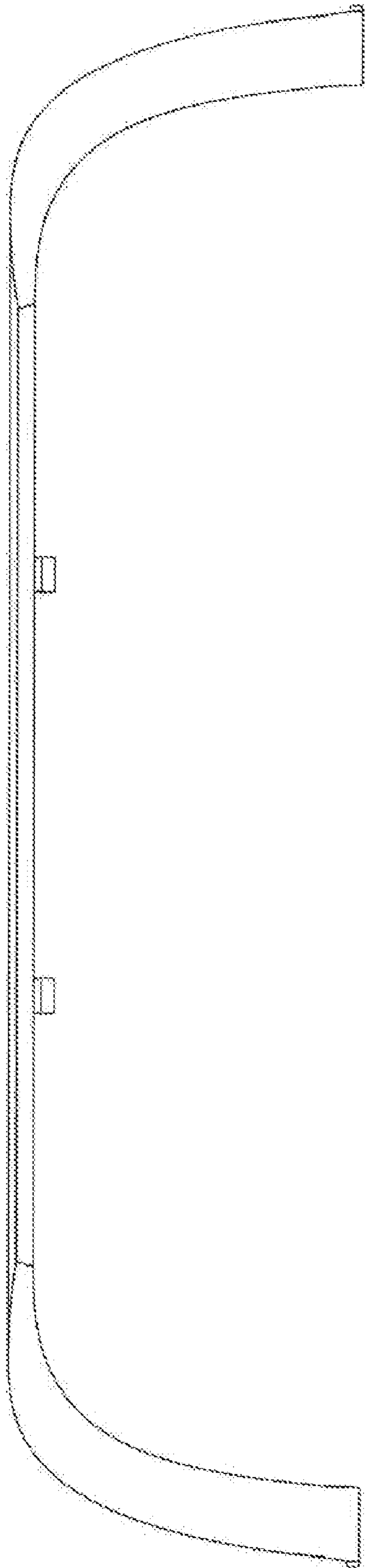


FIGURE 2

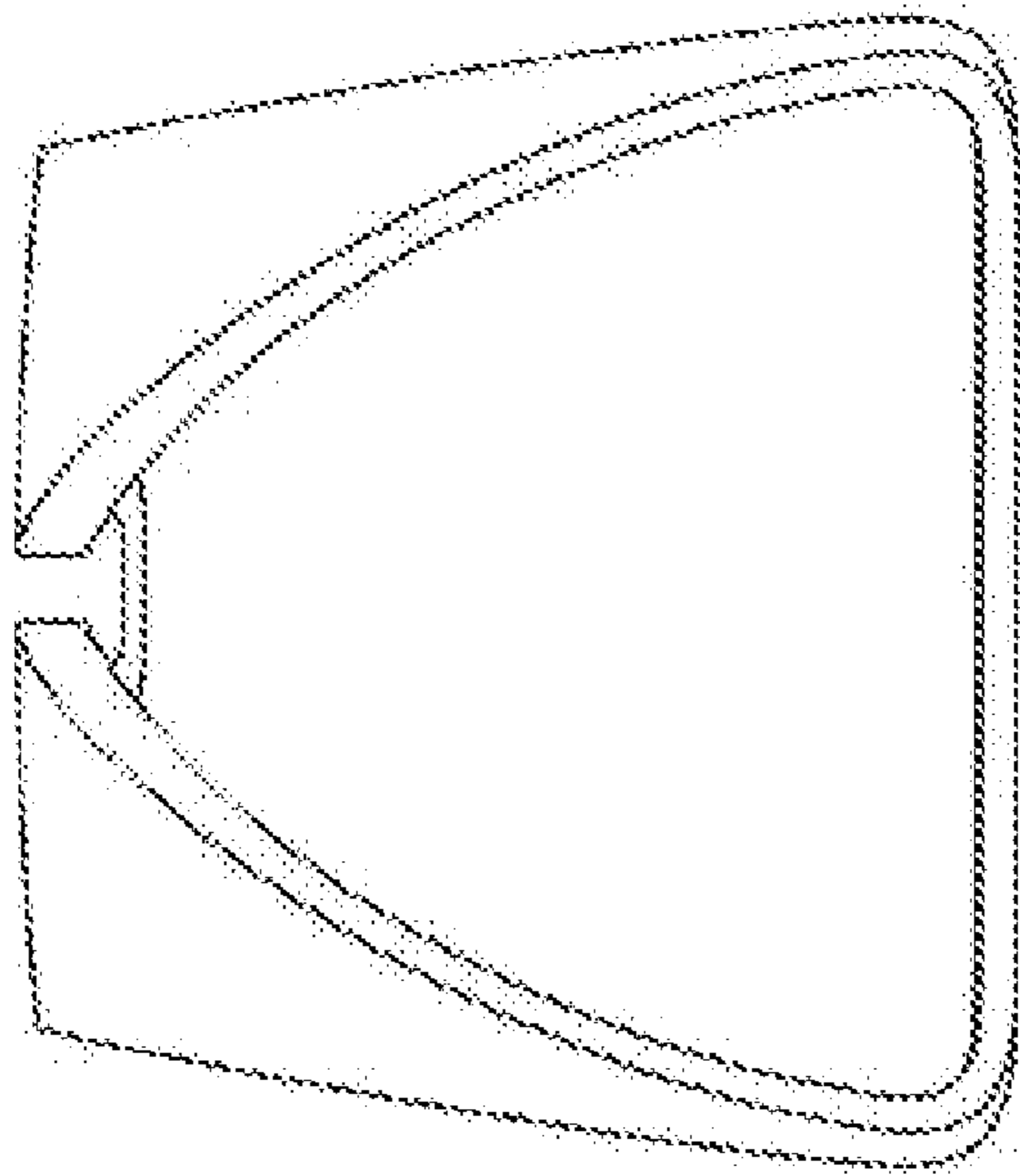


FIGURE 3

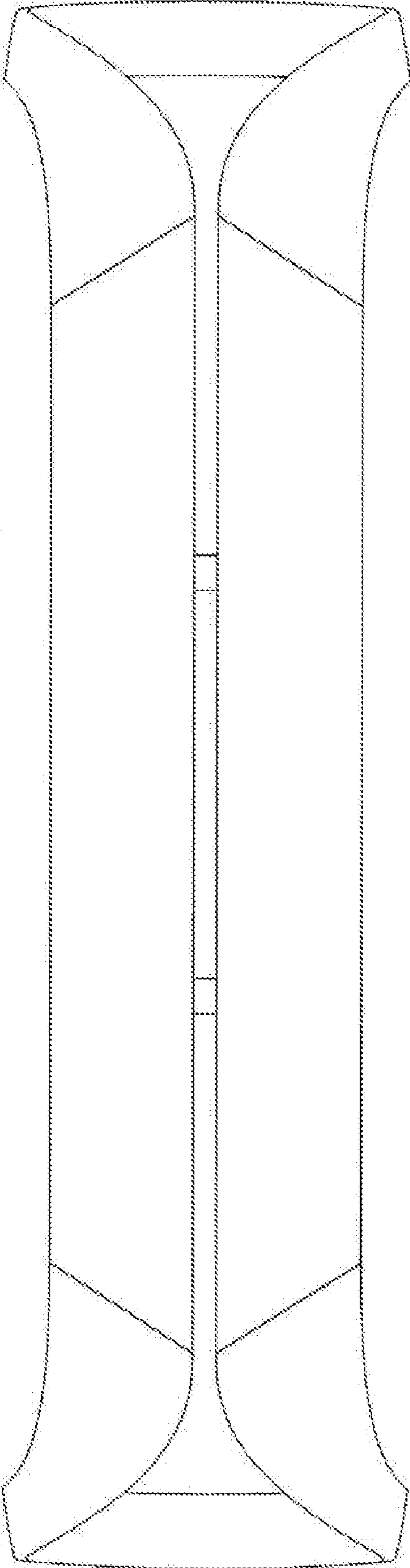


FIGURE 4

UNITED STATES PATENT AND TRADEMARK OFFICE
CERTIFICATE OF CORRECTION

PATENT NO. : Des. 600,460 S
APPLICATION NO. : 29/335530
DATED : September 22, 2009
INVENTOR(S) : Schwartz et al.

Page 1 of 6

It is certified that error appears in the above-identified patent and that said Letters Patent is hereby corrected as shown below:

The title page, showing an illustrative figure, should be deleted and substitute therefor the attached title page.

Delete drawing sheets 1-4 and substitute therefor the drawing sheets, consisting of figures 1-4 as shown on the attached pages.

Signed and Sealed this

Twenty-ninth Day of December, 2009



David J. Kappos
Director of the United States Patent and Trademark Office

(12) **United States Design Patent**
Schwartz et al.

(10) **Patent No.:** **US D600,460 S**

(45) **Date of Patent:** **** Sep. 22, 2009**

(54) **BENCH**

D590,610 S * 4/2009 Pappas D6/355

(75) **Inventors:** **Elisabeth Schwartz**, Munich (DE);
Michael Waldron, Munich (DE); **Sonja Schlefer**, Munich (DE)

* cited by examiner

Primary Examiner Mimosa De

(74) *Attorney, Agent, or Firm*—Heslin Rothenberg Farley & Mesiti P.C.

(73) **Assignee:** **Landscape Forms, Inc.**, Kalamazoo, MI (US)

(**) **Term:** **14 Years**

(57) **CLAIM**

The ornamental design for a bench, as shown and described.

(21) **Appl. No.:** **29/335,530**

(22) **Filed:** **Apr. 17, 2009**

DESCRIPTION

(51) **LOC (9) Cl.** **06-01**

This application is related to commonly assigned, concurrently filed U.S. applications Ser. No. 29/335,531 and U.S. application Ser. No. 29/335,532.

(52) **U.S. Cl.** **D6/355**

(58) **Field of Classification Search** D6/334-336,
D6/349, 355, 370, 374, 376, 379, 380, 381,
D6/500-502; 297/232, 445.1, 446.1, 448.1,
297/452.12, 452.63

FIG. 1 is an isometric view of the bench of the present design; FIG. 2 is a front elevation view thereof, the rear elevation view being identical thereto;

See application file for complete search history.

FIG. 3 is a right side elevation view thereof, the left side elevation view being identical thereto; and,

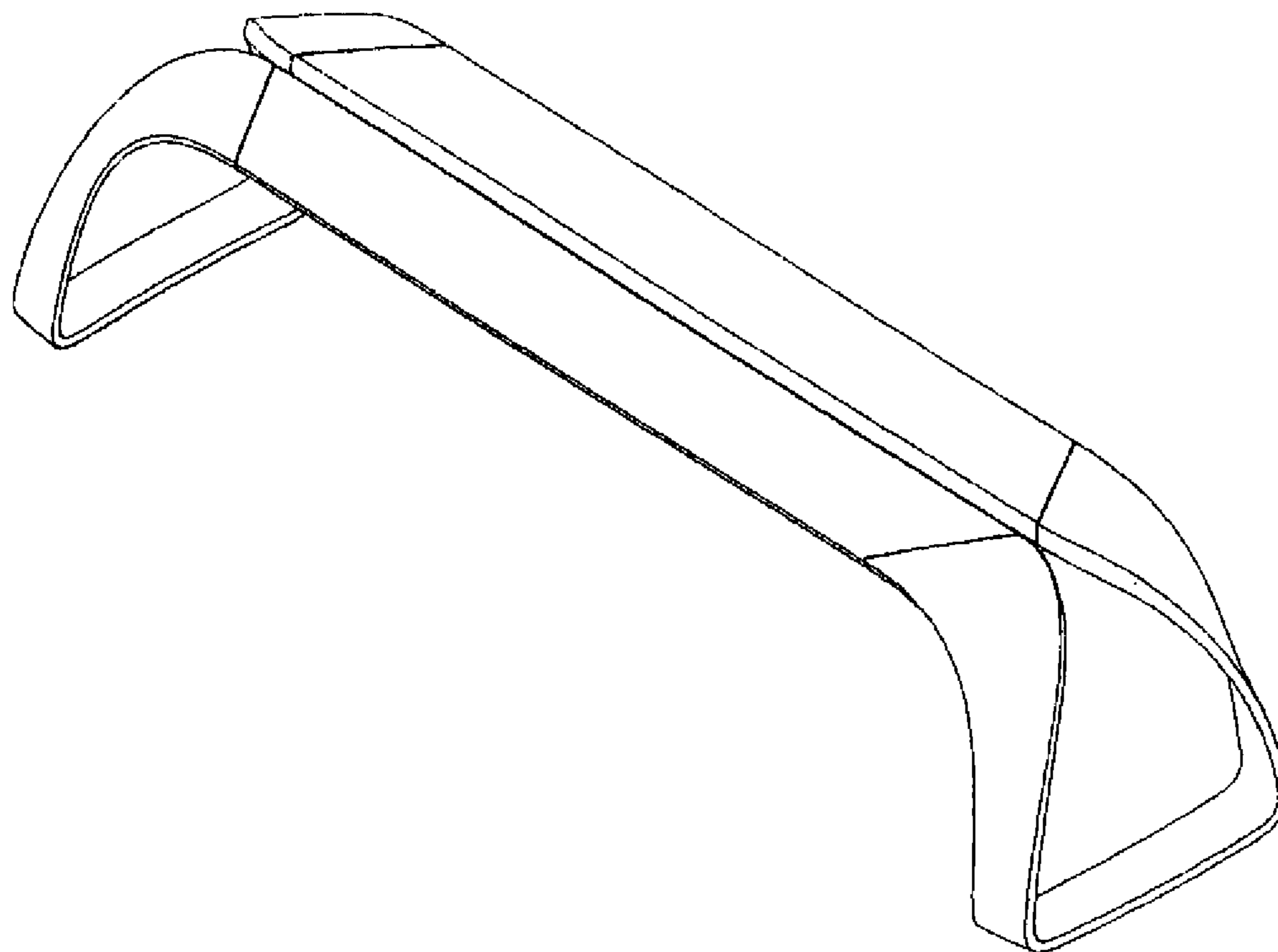
(56) **References Cited**

FIG. 4 is a top plan view thereof.

U.S. PATENT DOCUMENTS

D303,877 S * 10/1989 Norton D6/349

1 Claim, 4 Drawing Sheets



U.S. Patent

Sep. 22, 2009

Sheet 1 of 4

D600,460 S

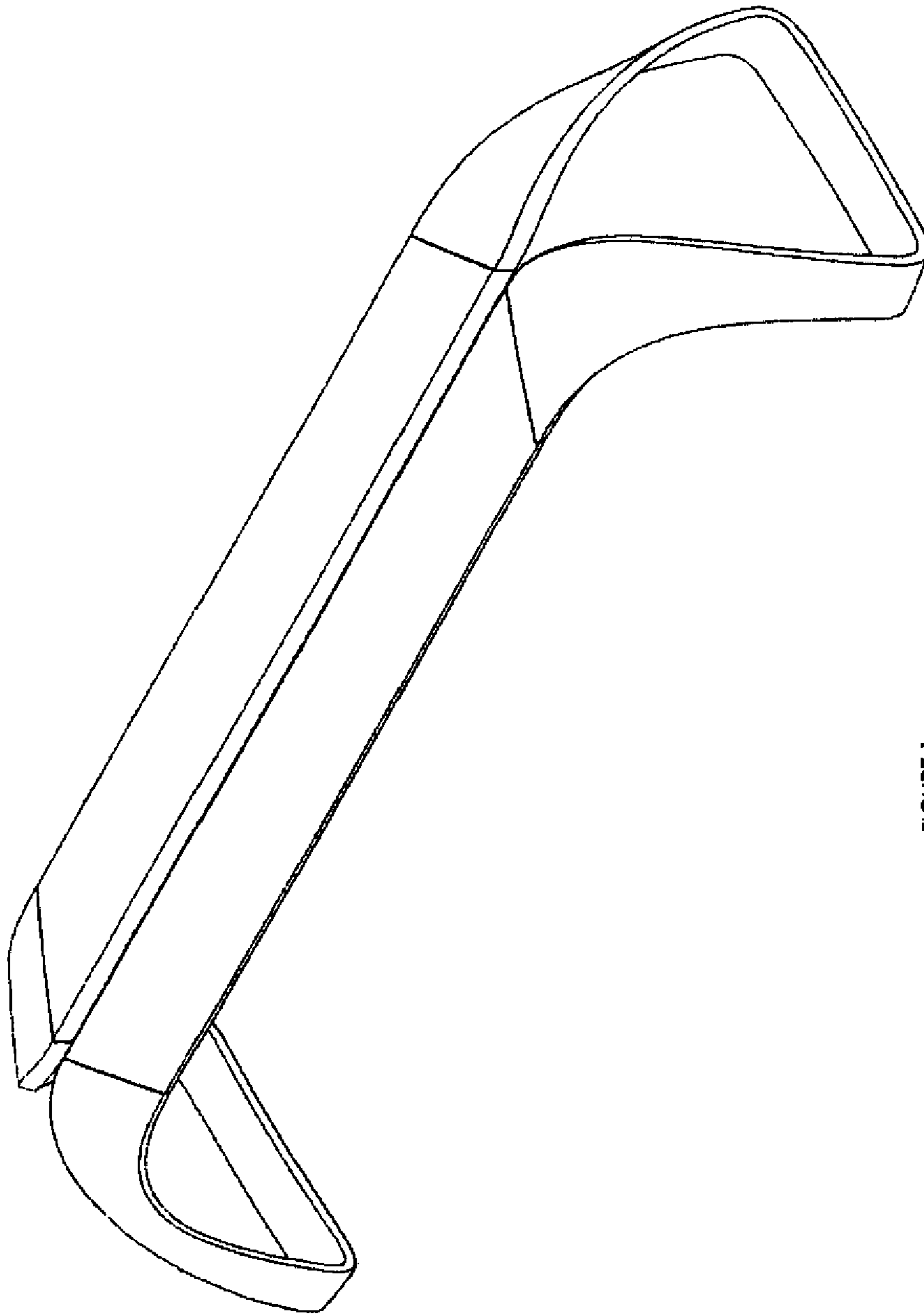


FIGURE 1

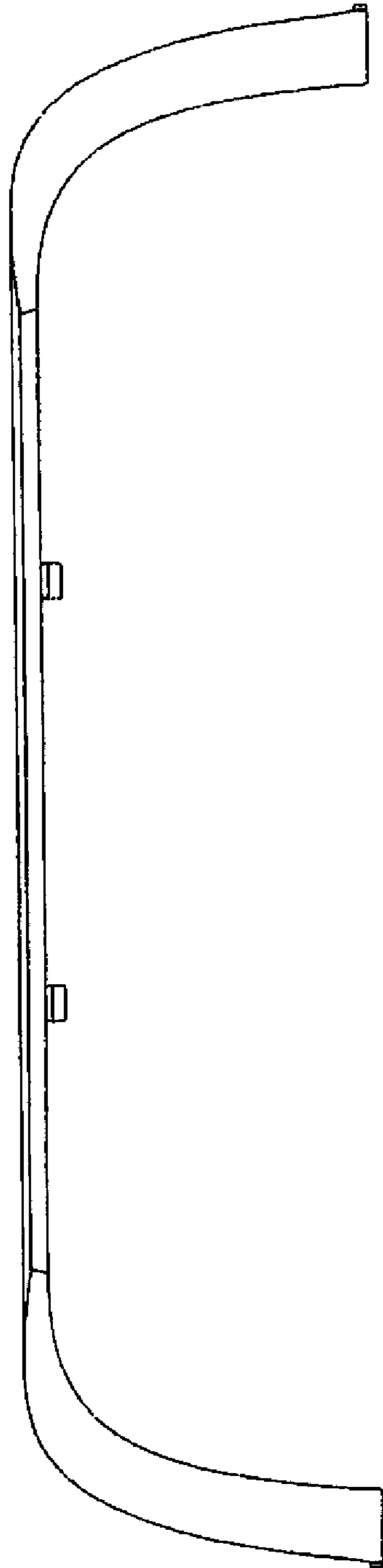


FIGURE 2

U.S. Patent

Sep. 22, 2009

Sheet 3 of 4

D600,460 S

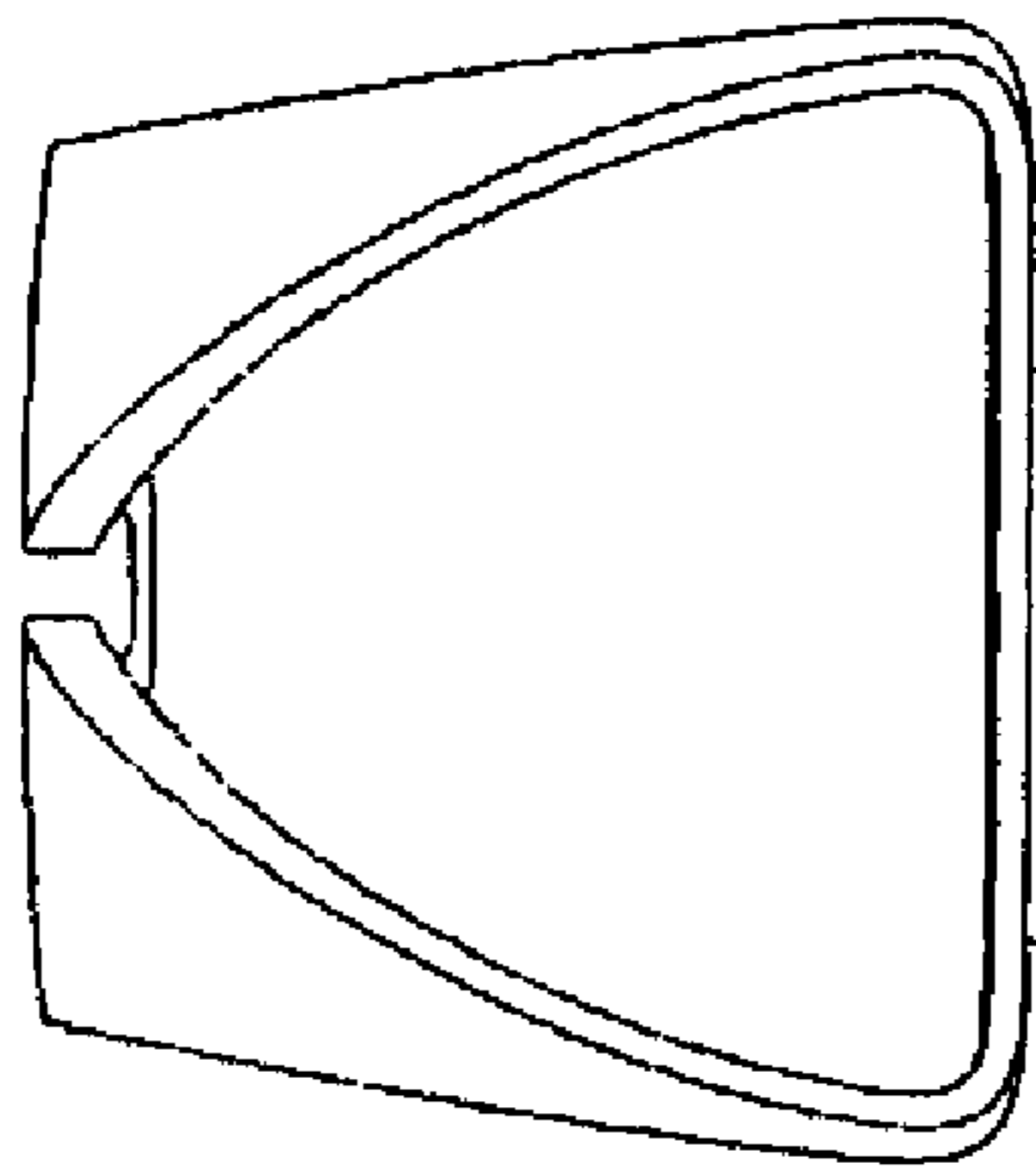


FIGURE 3

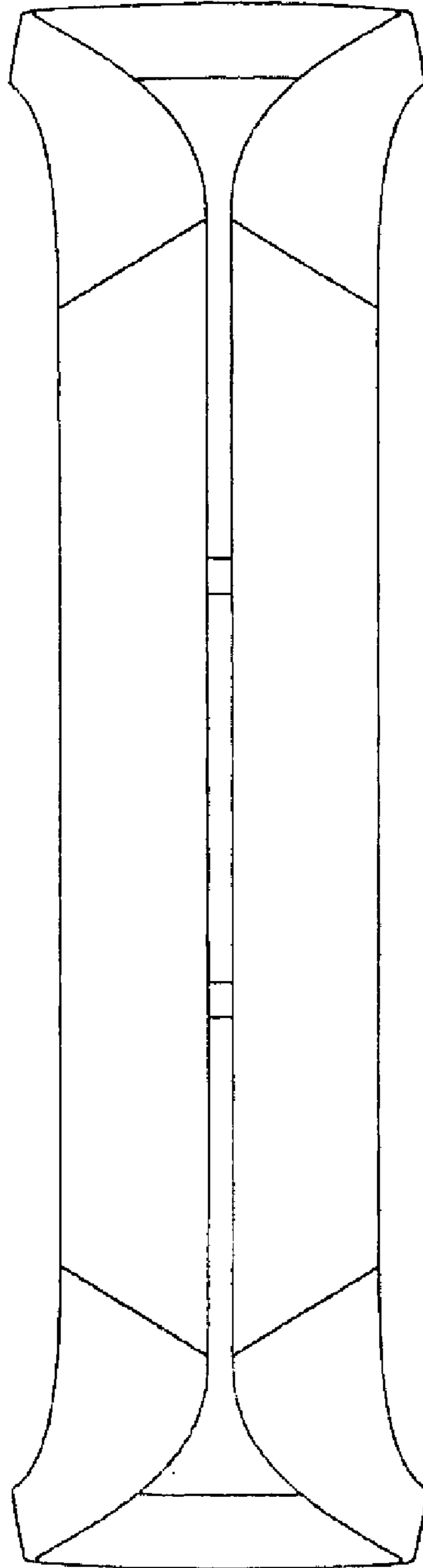


FIGURE 4