



US00D600456S

(12) **United States Design Patent**
Son

(10) **Patent No.:** **US D600,456 S**

(45) **Date of Patent:** **** Sep. 22, 2009**

(54) **DIGITAL PHOTO FRAME**

(75) Inventor: **Sang Hyeun Son**, Seoul (KR)

(73) Assignee: **LG Electronics Inc.**, Seoul (KR)

(**) Term: **14 Years**

(21) Appl. No.: **29/324,713**

(22) Filed: **Sep. 18, 2008**

(30) **Foreign Application Priority Data**

Mar. 19, 2008 (KR) 30-2008-0011894

(51) **LOC (9) Cl.** **06-07**

(52) **U.S. Cl.** **D6/308; D6/310; D14/371**

(58) **Field of Classification Search** D6/300,
D6/308, 310, 311; D10/75, 15, 24; 40/700,
40/714, 721, 768, 717; D14/374, 371, 372,
D14/448, 449, 450, 375, 381, 382, 336, 337
See application file for complete search history.

(56) **References Cited**

U.S. PATENT DOCUMENTS

D406,699 S * 3/1999 Mullen D6/300
D452,507 S * 12/2001 Tatsukoshi D14/448
D568,055 S * 5/2008 Fernandez D6/308

D572,023 S * 7/2008 Park D6/300
D572,025 S * 7/2008 Kwon D6/308
D583,572 S * 12/2008 Zhai et al. D6/308
D591,518 S * 5/2009 Zhai et al. D6/308

* cited by examiner

Primary Examiner—Caron Veynar

Assistant Examiner—Sydney R Buffalow

(74) *Attorney, Agent, or Firm*—Birch, Stewart, Kolasch & Birch, LLP

(57) **CLAIM**

We claim the ornamental design for a digital photo frame, as shown and described.

DESCRIPTION

FIG. 1 is a perspective view of a digital photo frame showing our new design;

FIG. 2 is a front elevation view thereof;

FIG. 3 is a rear elevation view thereof;

FIG. 4 is a left-side elevation view thereof;

FIG. 5 is a right-side elevation view thereof;

FIG. 6 is a top plan view thereof; and,

FIG. 7 is a bottom plan view thereof.

1 Claim, 4 Drawing Sheets

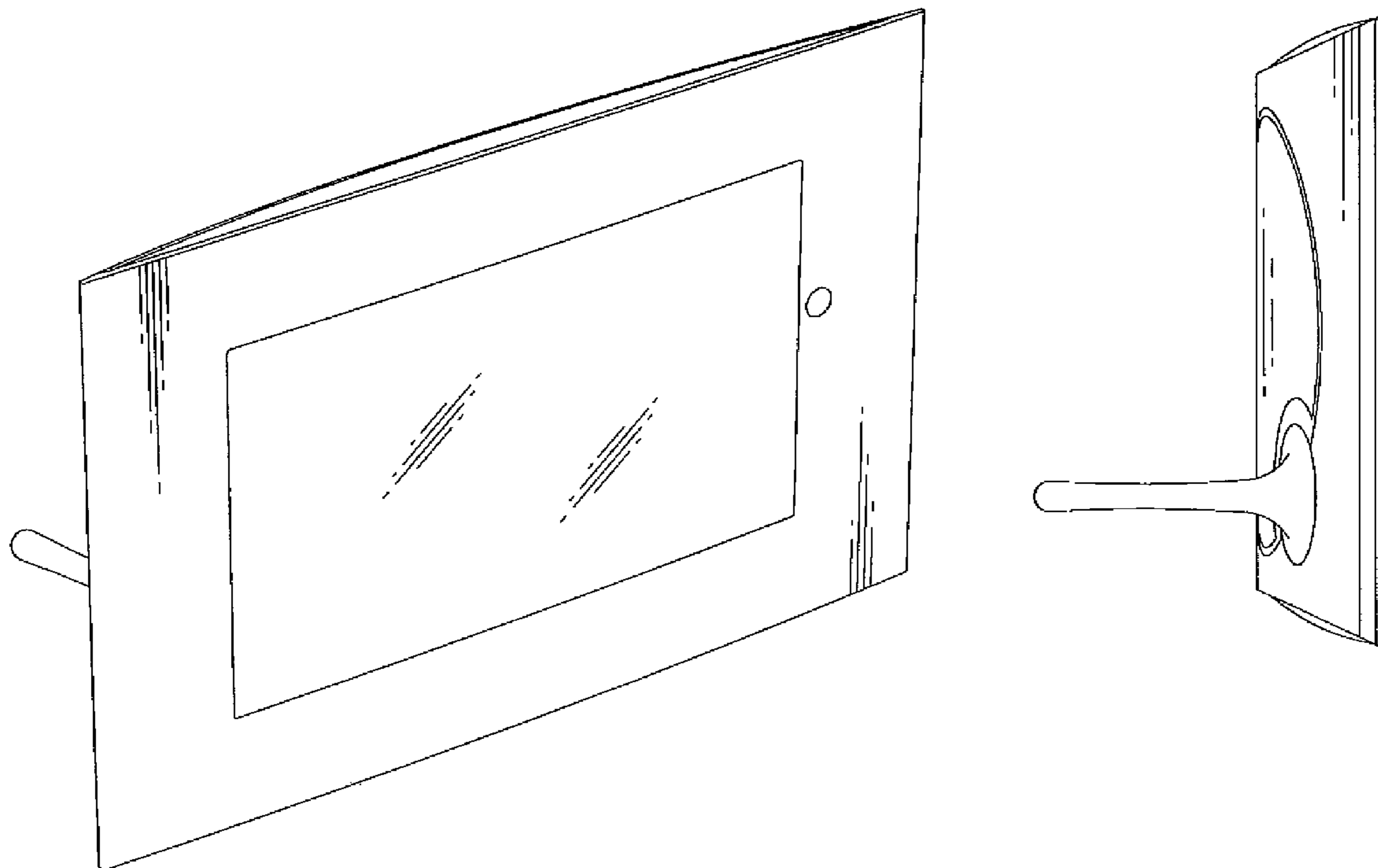


FIG. 1

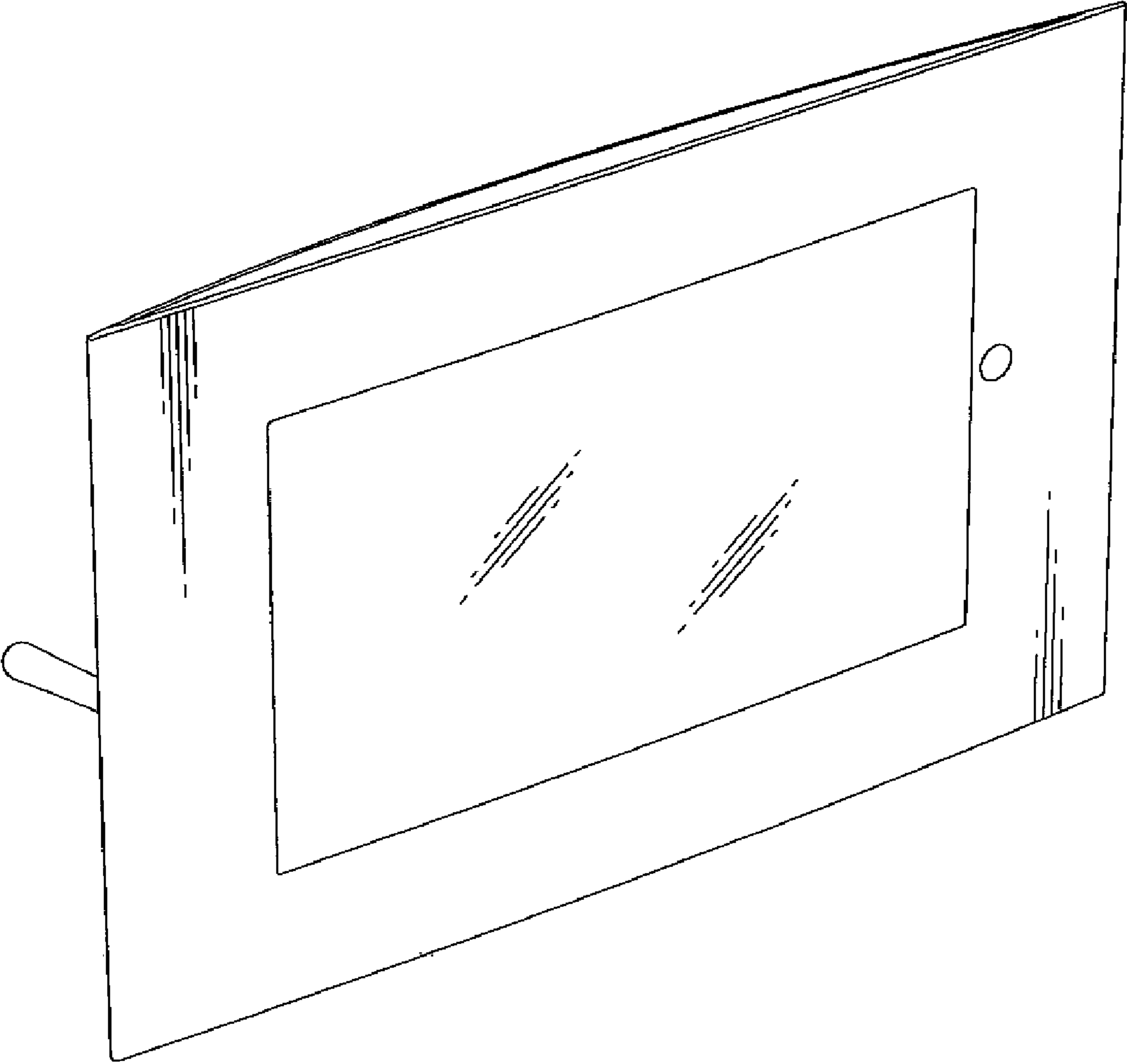


FIG. 2

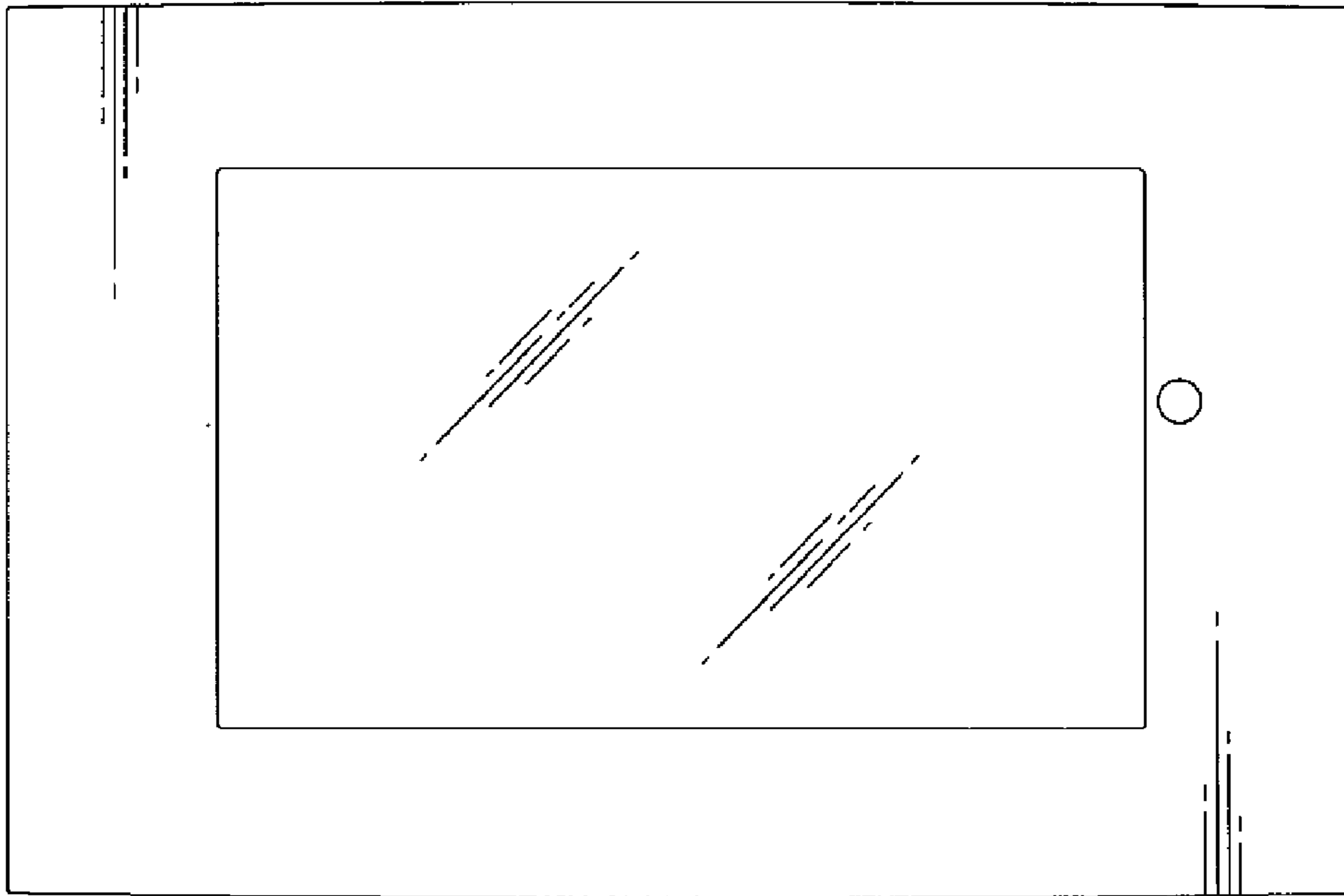


FIG. 3

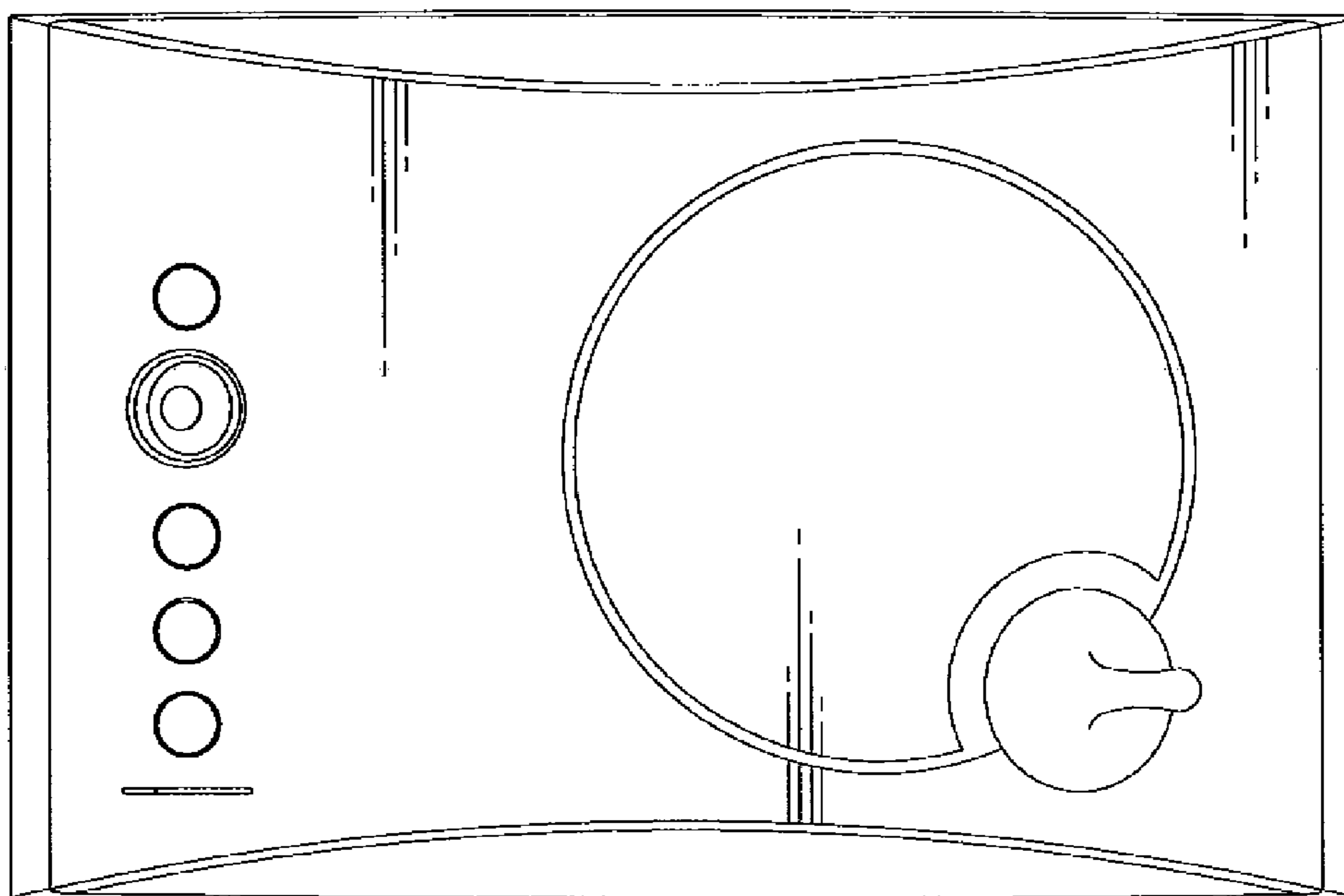


FIG.4

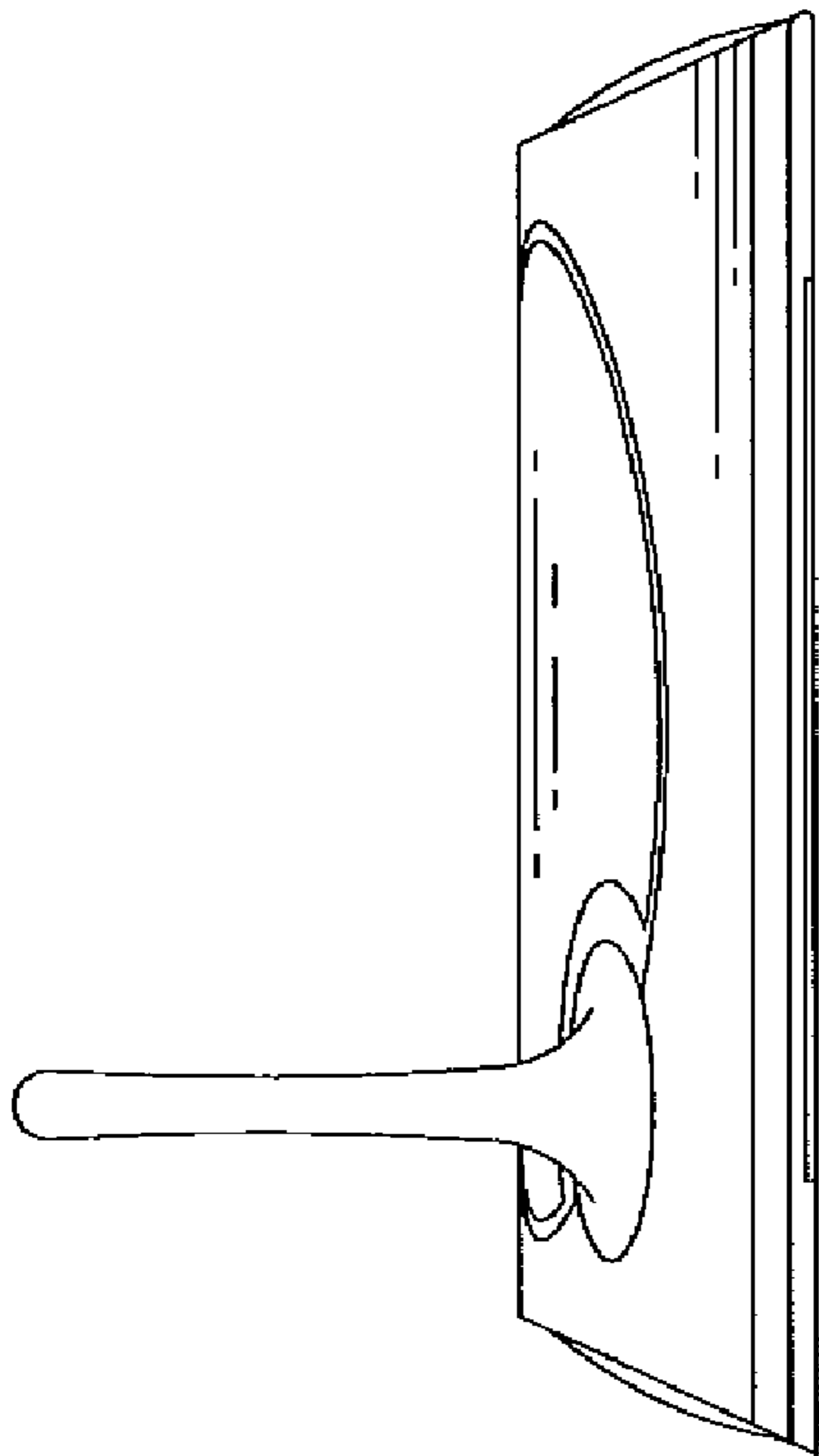


FIG.5

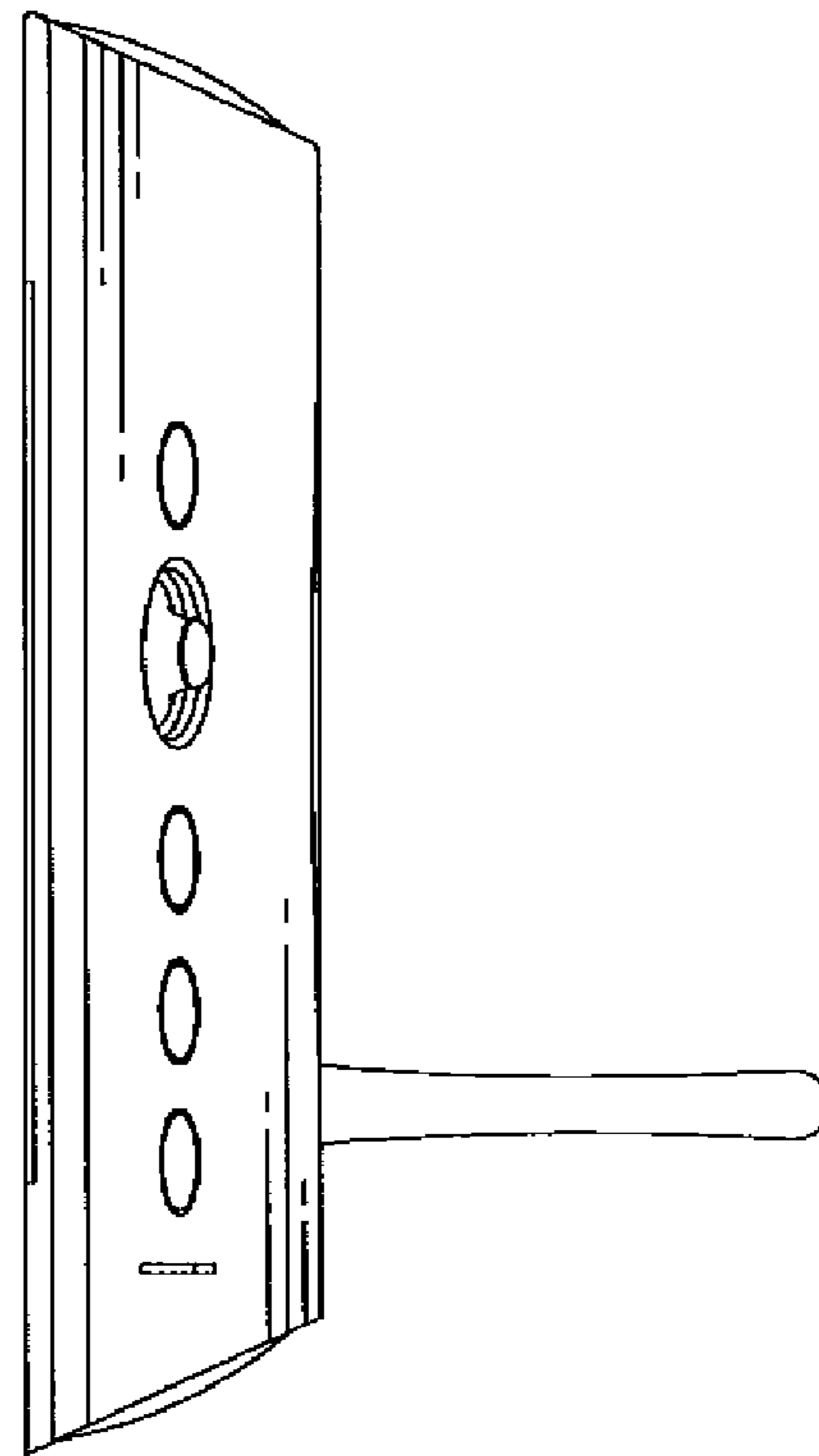


FIG. 6

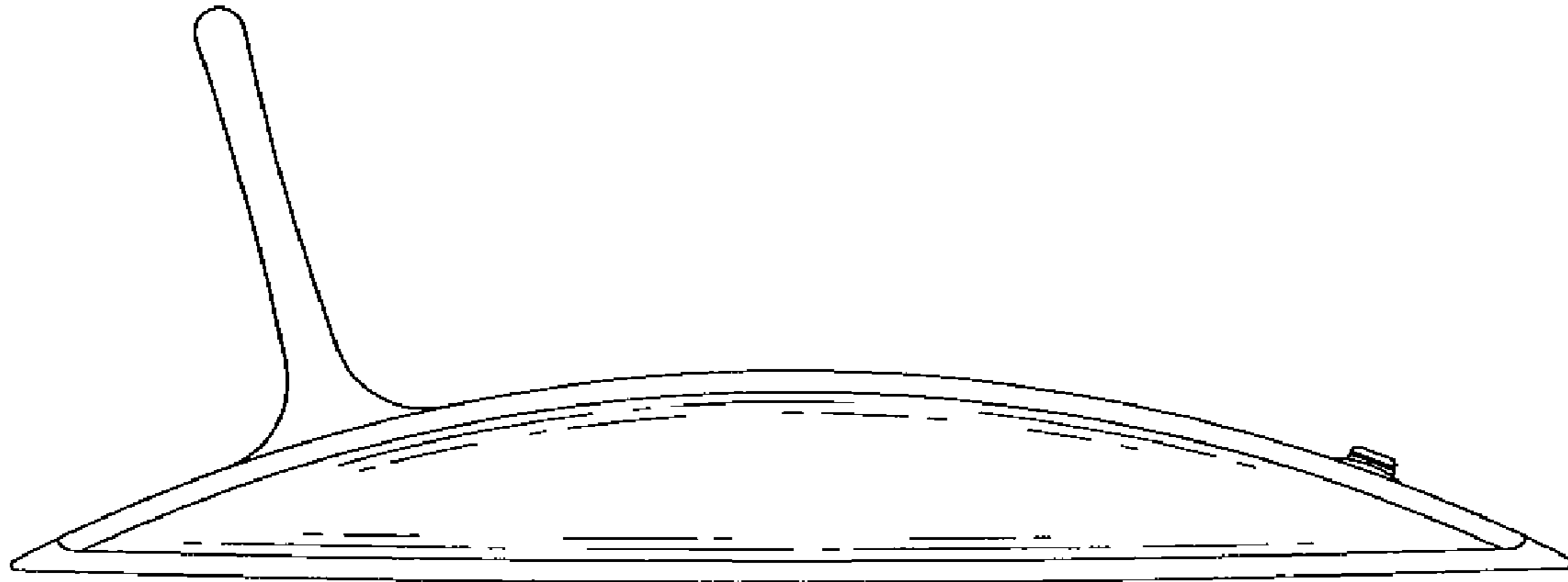


FIG. 7

